



US00D665227S

(12) **United States Design Patent**
Cason

(10) **Patent No.:** **US D665,227 S**

(45) **Date of Patent:** **** Aug. 14, 2012**

(54) **WATER BOTTLE**

(76) Inventor: **William Cason**, San Diego, CA (US)

(**) Term: **14 Years**

(21) Appl. No.: **29/396,269**

(22) Filed: **Jun. 28, 2011**

(51) **LOC (9) Cl.** **07-01**

(52) **U.S. Cl.** **D7/515; D7/510; D7/511; D7/606**

(58) **Field of Classification Search** D7/523,
D7/514, 515, 300.1, 608, 606, 510, 511;
D9/649, 674; 220/703, 603

See application file for complete search history.

(56) **References Cited**

U.S. PATENT DOCUMENTS

330,142	A	*	11/1885	McCarty	48/198.1
D48,788	S	*	3/1916	Jenks	D7/608
D125,633	S	*	3/1941	Chapman	D7/300.1
D223,562	S	*	5/1972	Madeira	D9/674
D293,891	S	*	1/1988	Molvik et al.	D19/51
D318,394	S	*	7/1991	Larimer	D7/300.1
D359,886	S	*	7/1995	Plessas et al.	D7/606
D414,369	S	*	9/1999	Miller	D7/300.1
D500,952	S	*	1/2005	Moore	D9/600
D518,727	S	*	4/2006	Haley et al.	D9/504
D533,032	S	*	12/2006	Liu et al.	D7/608
D538,111	S	*	3/2007	Liu et al.	D7/608
D580,708	S	*	11/2008	George	D7/510
D615,818	S	*	5/2010	Jansen	D7/515
D630,037	S	*	1/2011	Kauer	D7/300.1
D639,280	S	*	6/2011	Hayes	D14/223

* cited by examiner

Primary Examiner — Marianne Pandozzi

(74) *Attorney, Agent, or Firm* — John K. Buche; Buche & Associates, P.C.

(57) **CLAIM**

The ornamental design for a water bottle, as shown and described.

DESCRIPTION

FIG. 1 is a perspective view of a water bottle showing my new design;

FIG. 2 is a front view of the water bottle of FIG. 1.

FIG. 3 is a back view of the water bottle of FIG. 1.

FIG. 4 is a left side view of the water bottle of FIG. 1.

FIG. 5 is a right side view of the water bottle of FIG. 1.

FIG. 6 is a top view of the water bottle of FIG. 1.

FIG. 7 is a bottom view of the water bottle of FIG. 1.

FIG. 8 is an environmental perspective view thereof;

FIG. 9 is a perspective view of a water bottle showing a second embodiment of our new design;

FIG. 10 is a front view of the water bottle of FIG. 9.

FIG. 11 is a back view of the water bottle of FIG. 9.

FIG. 12 is a left side view of the water bottle of FIG. 9.

FIG. 13 is a right side view of the water bottle of FIG. 9.

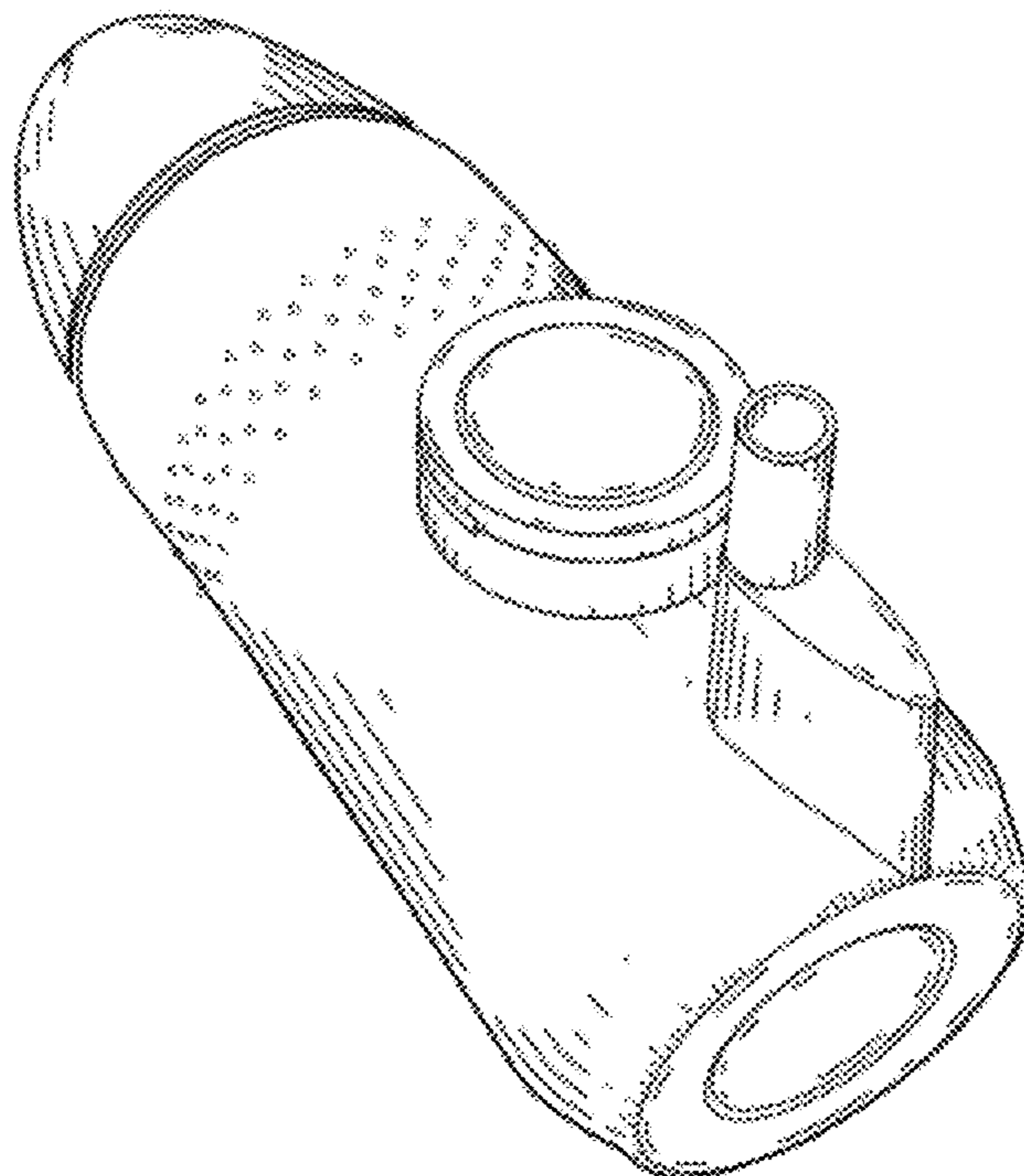
FIG. 14 is a top view of the water bottle of FIG. 9; and,

FIG. 15 is a bottom view of the water bottle of FIG. 9.

Grips around the midsection of the bottle of FIG. 9 through 15 are drawn in broken lines and do not form any part of the claimed design.

The broken lines in the drawings are included for the purpose of illustration and form no part of the claimed design.

1 Claim, 5 Drawing Sheets



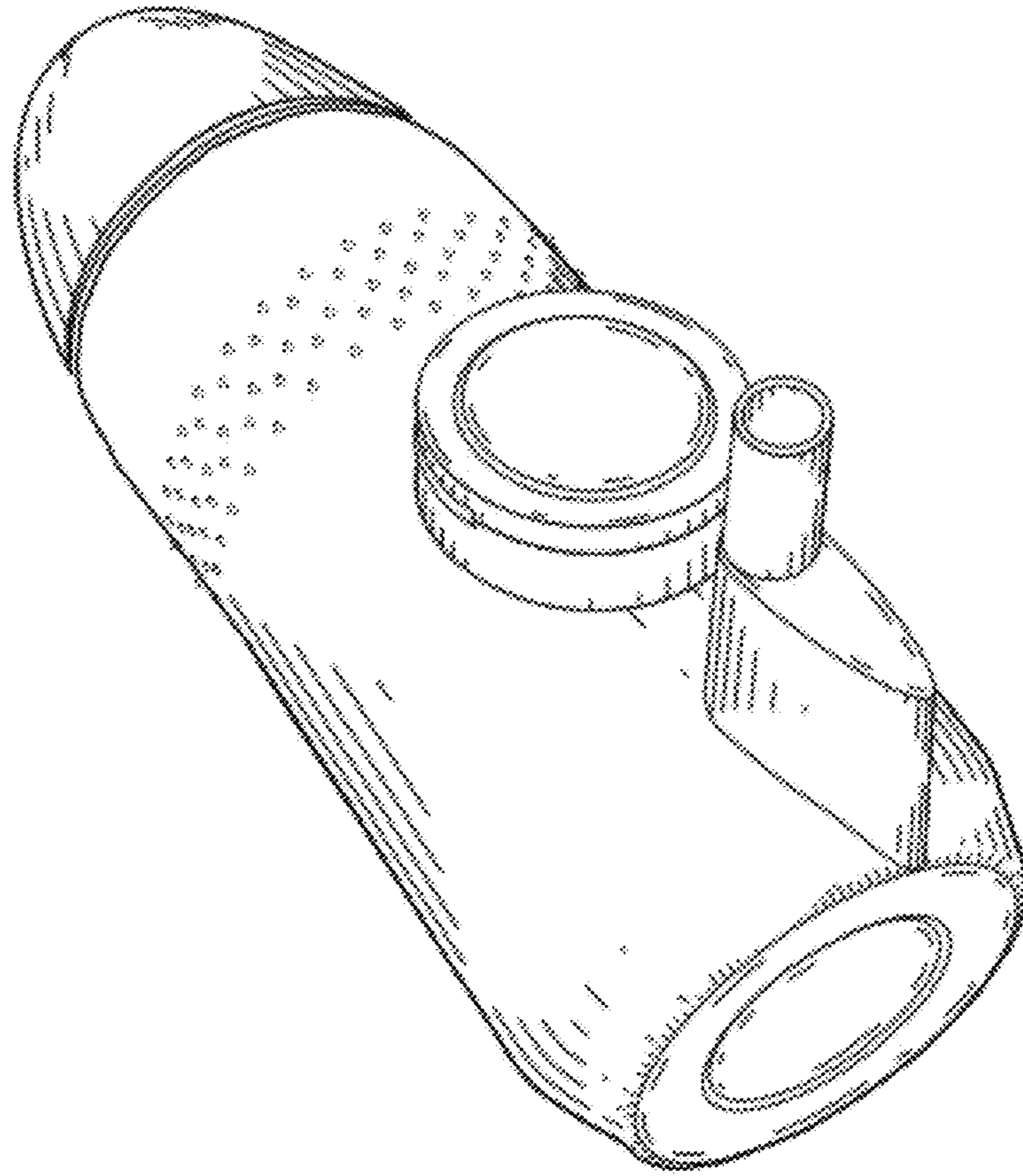


FIG. 1

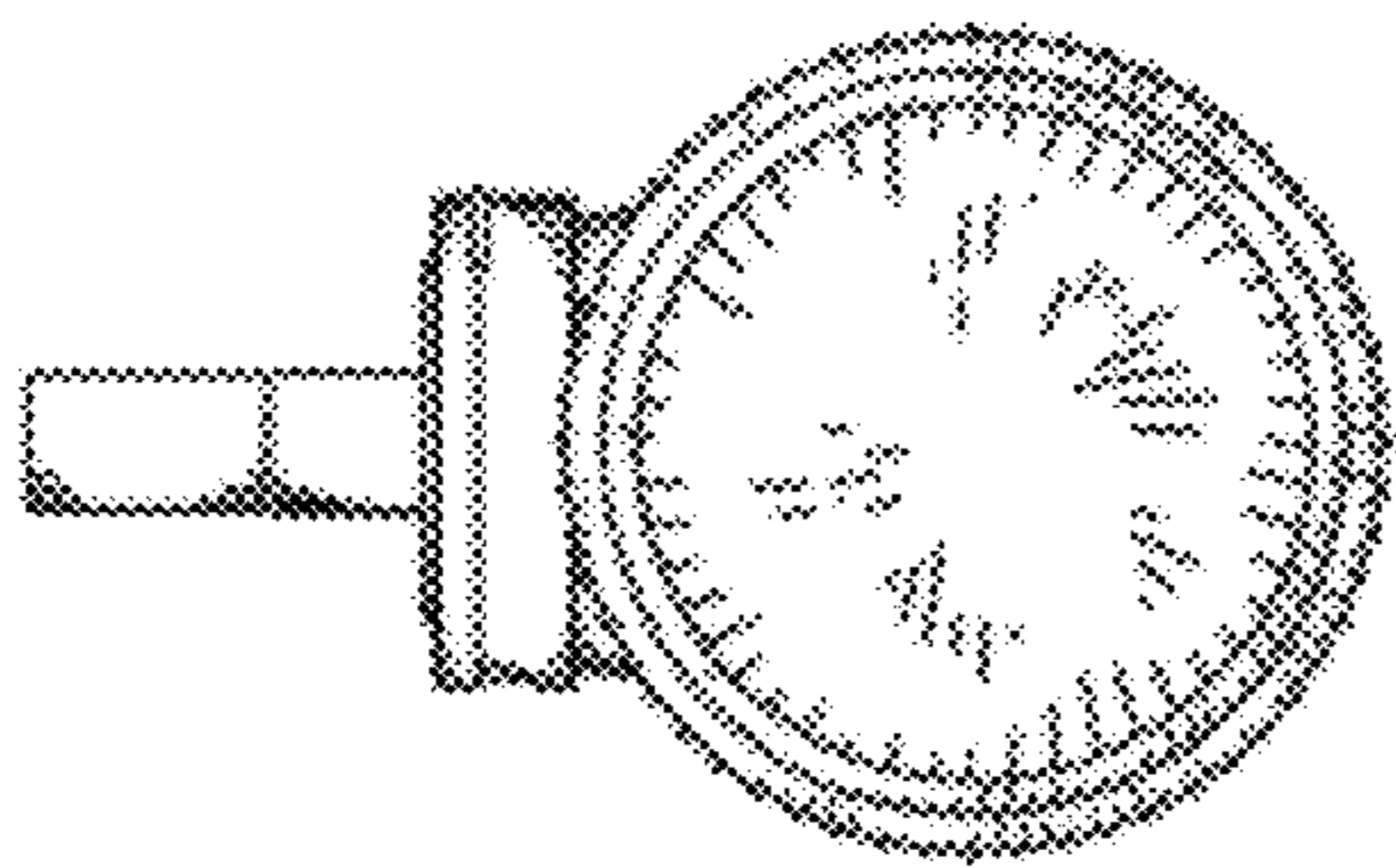


FIG. 2

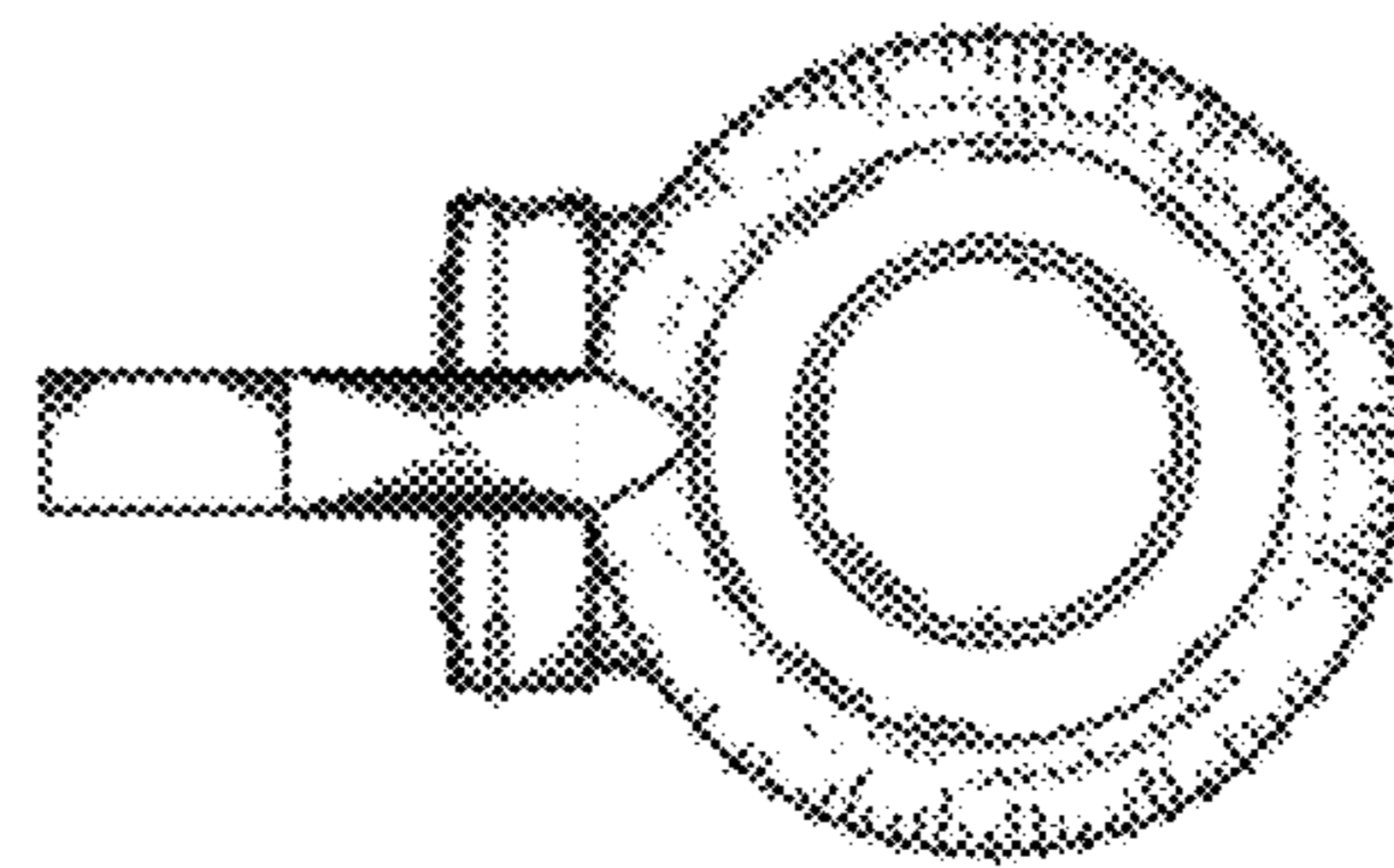


FIG. 3

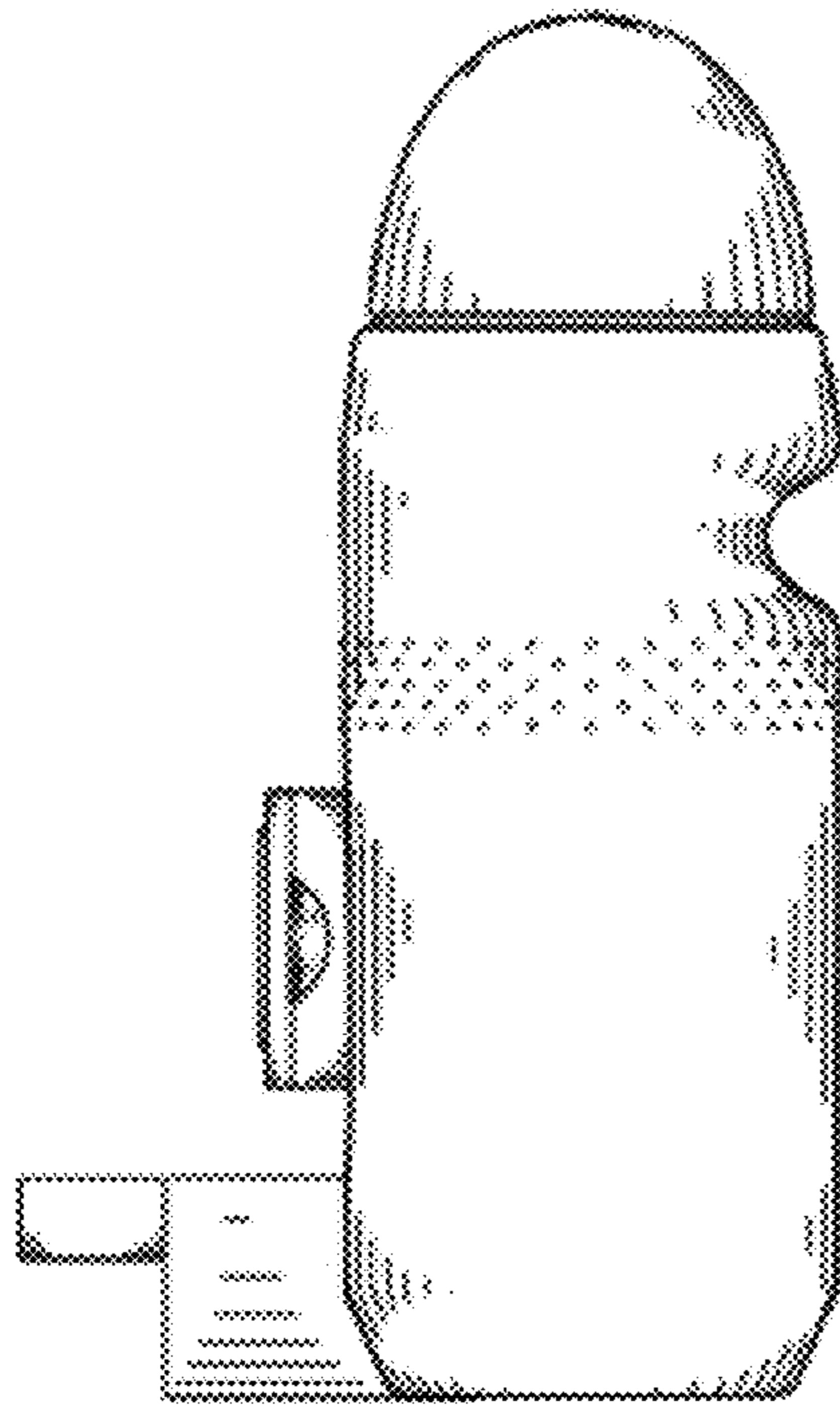


FIG. 4

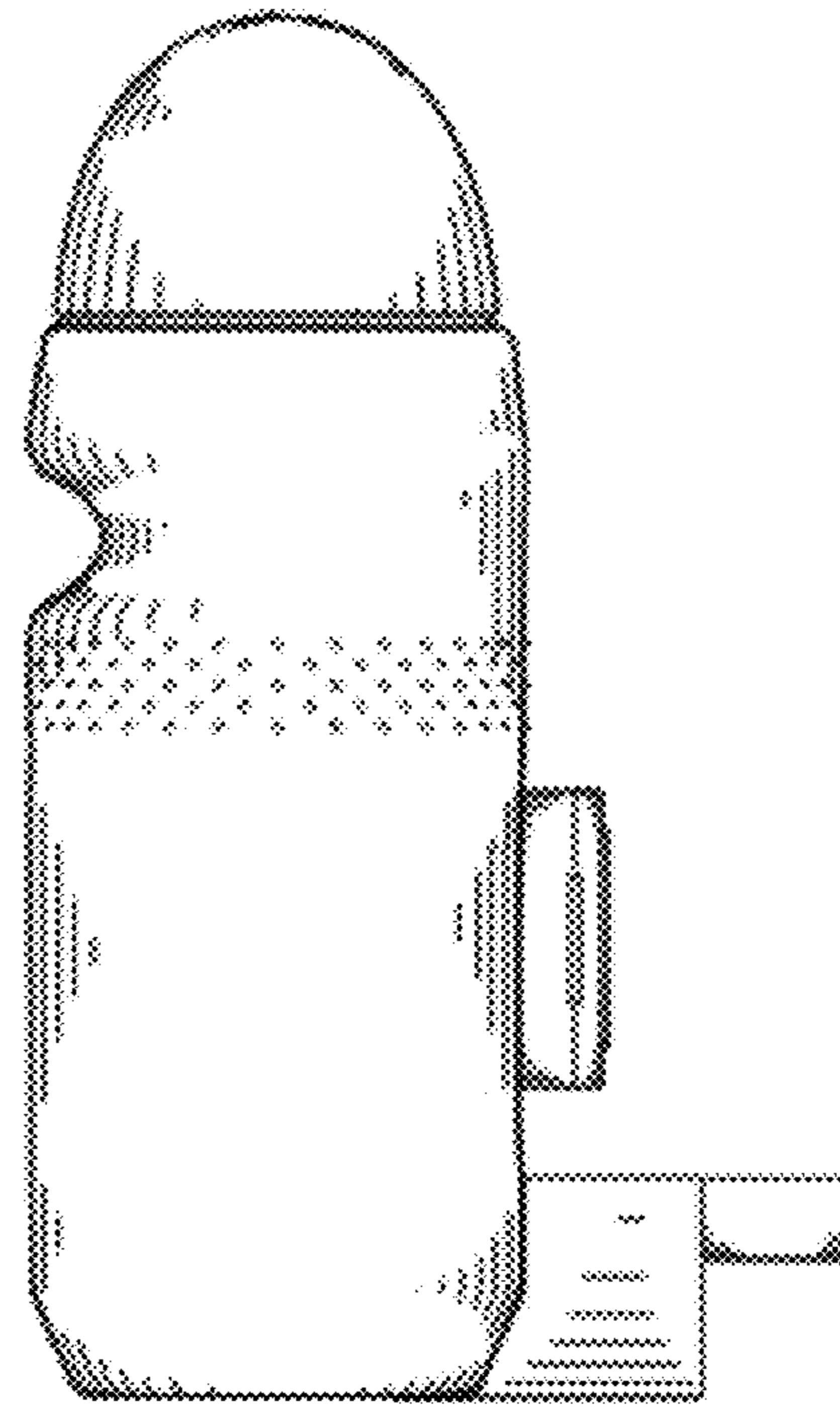


FIG. 5

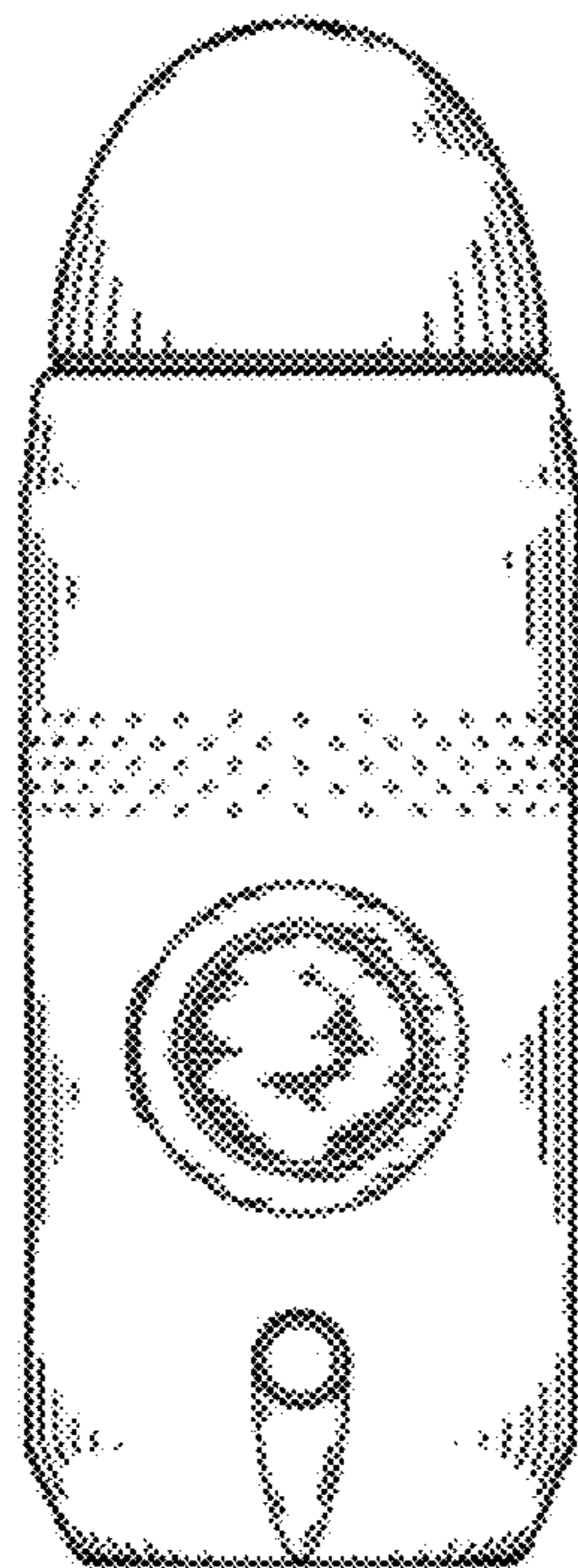


FIG. 6

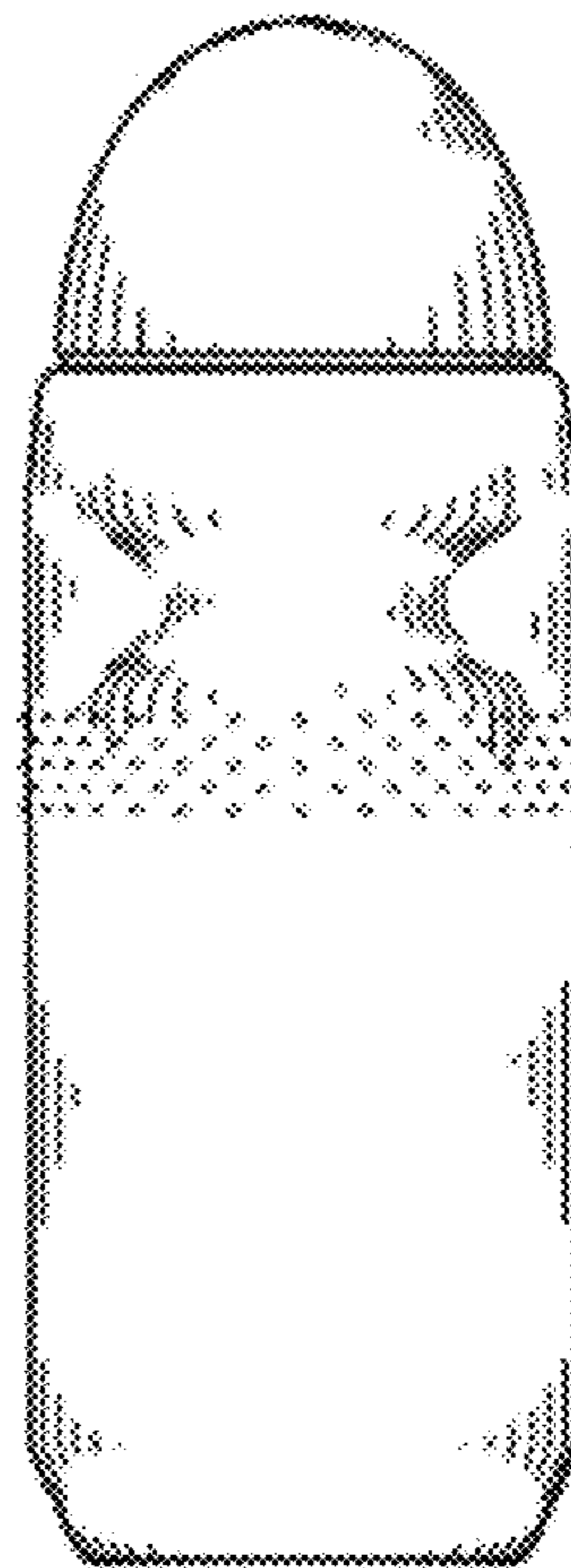


FIG. 7

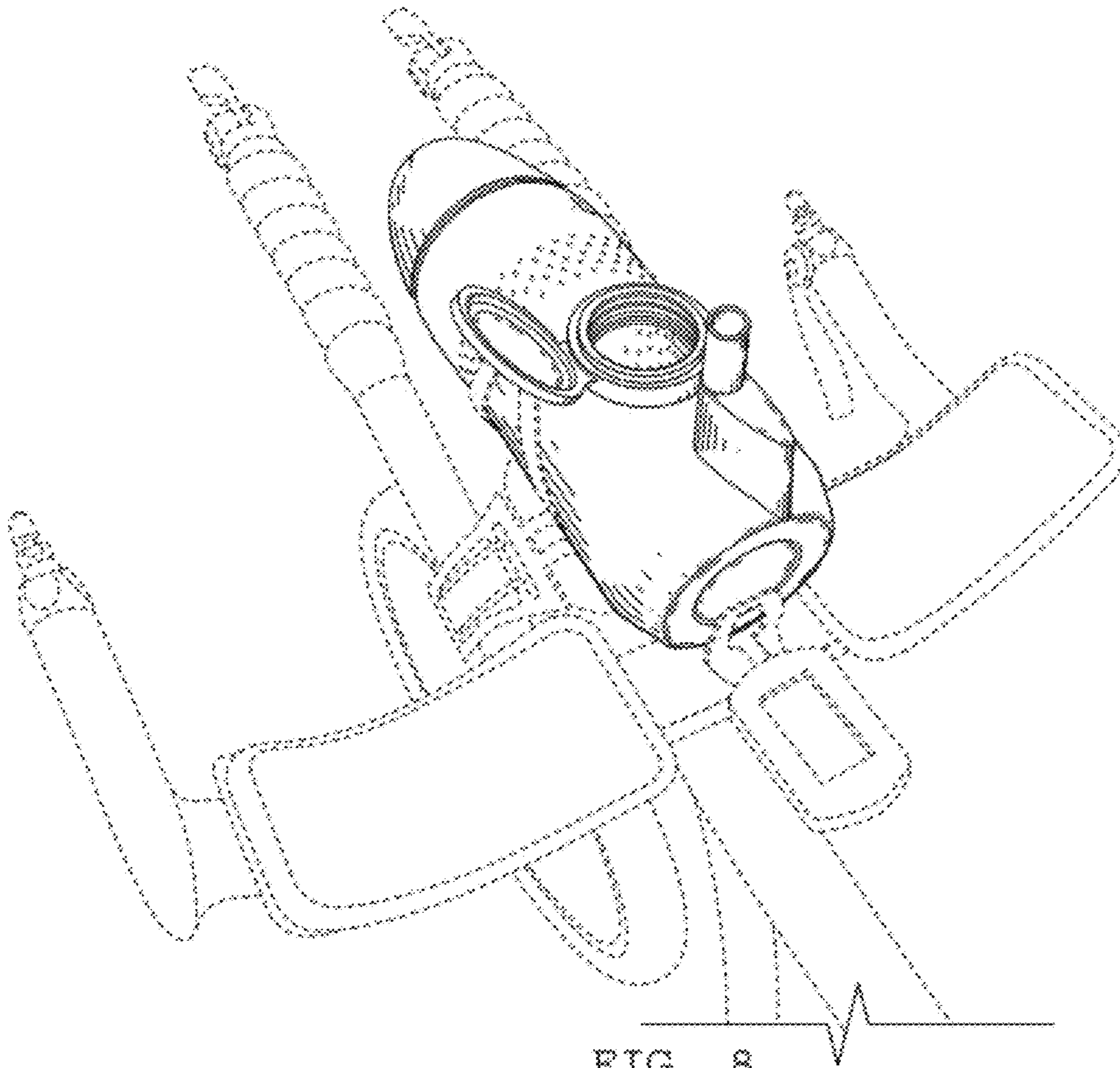


FIG. 8

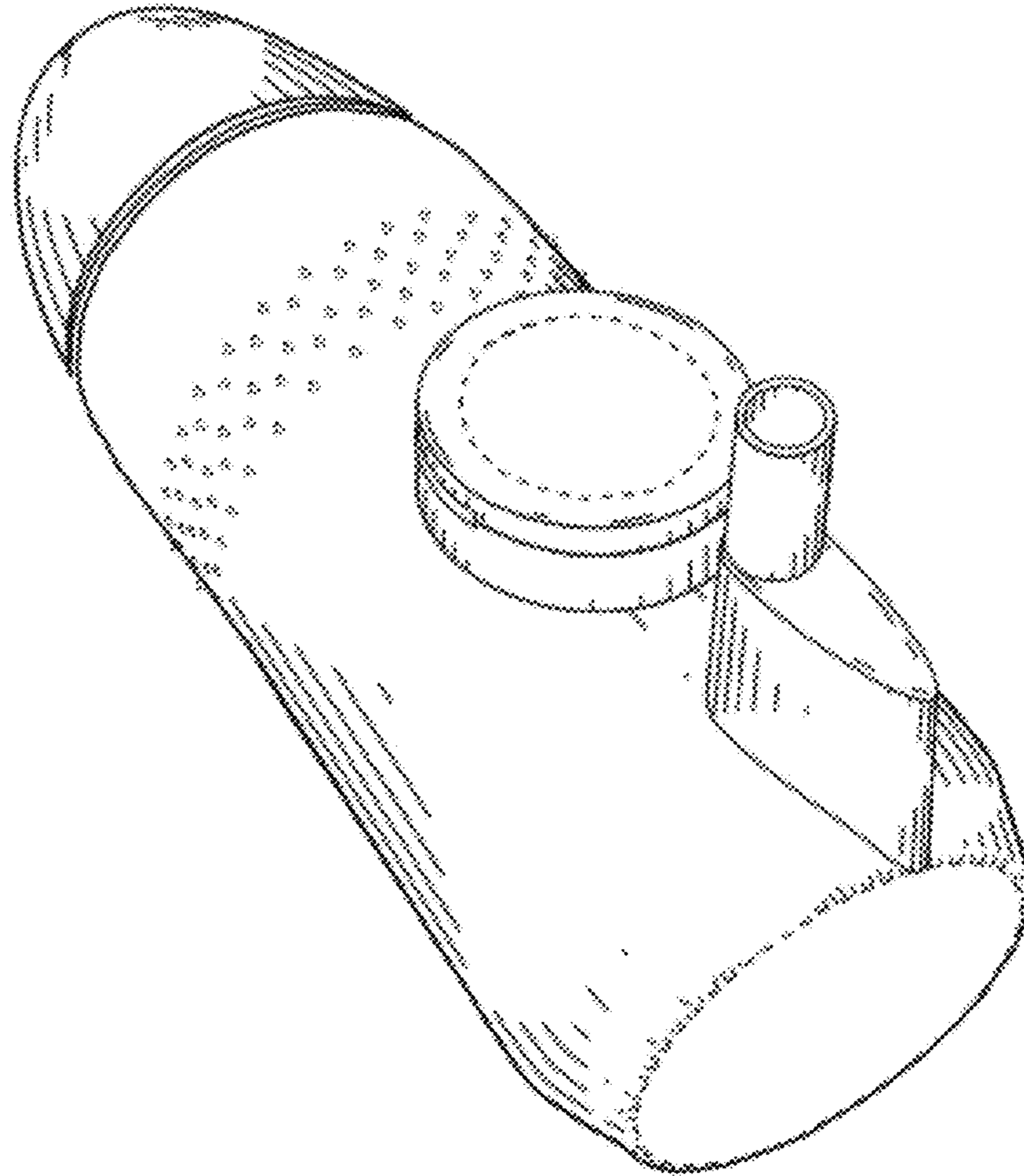


FIG. 9

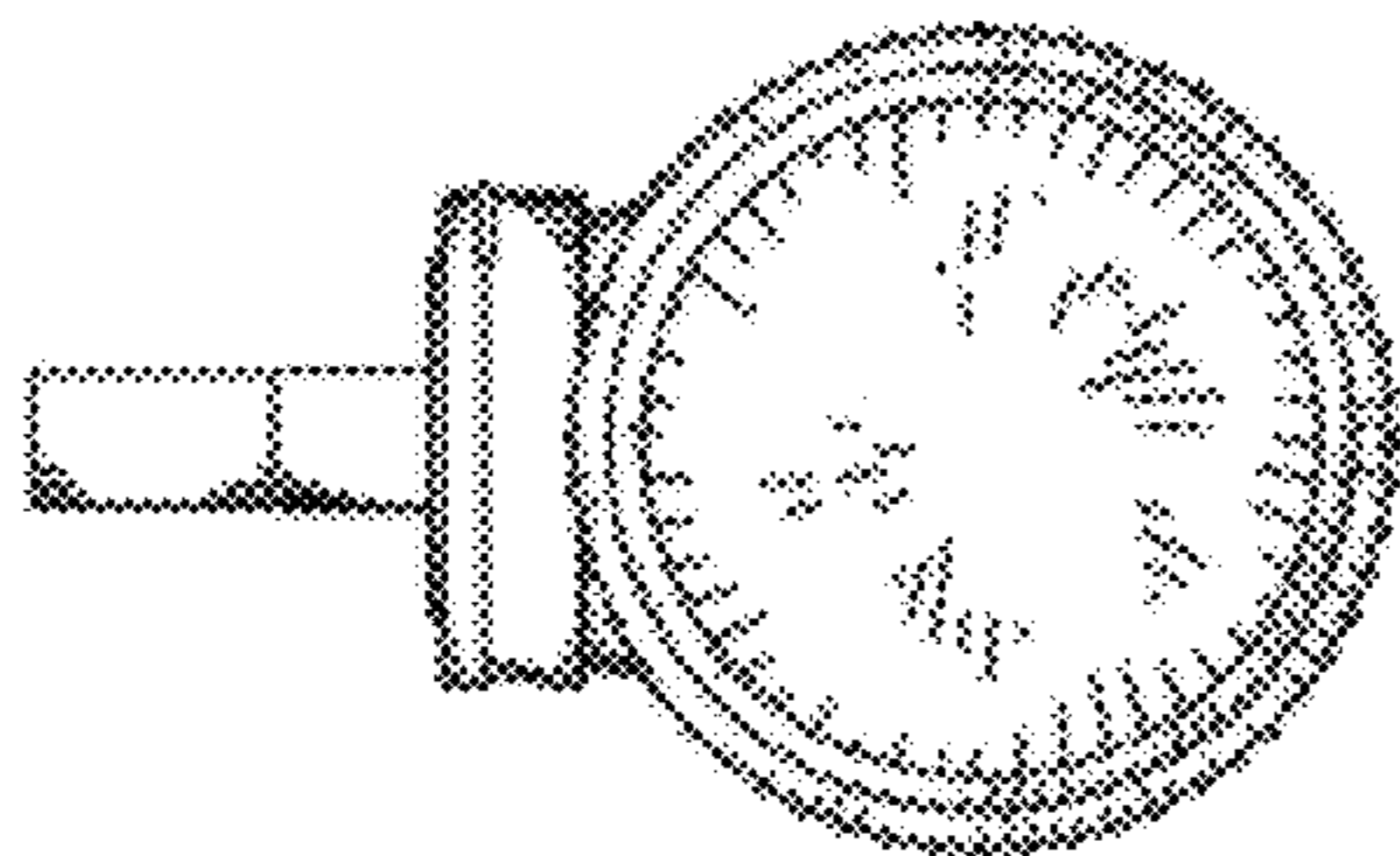


FIG. 10

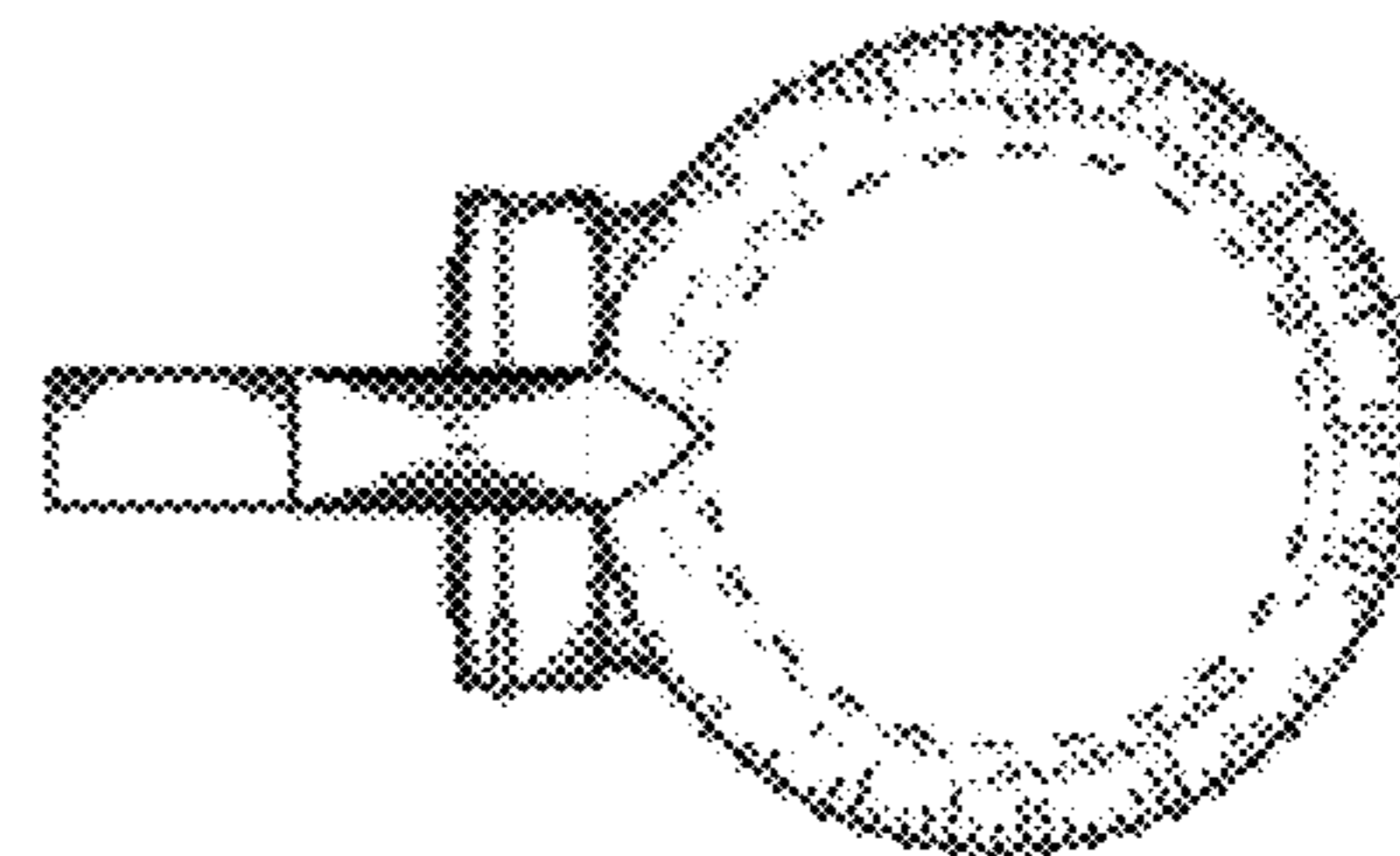


FIG. 11

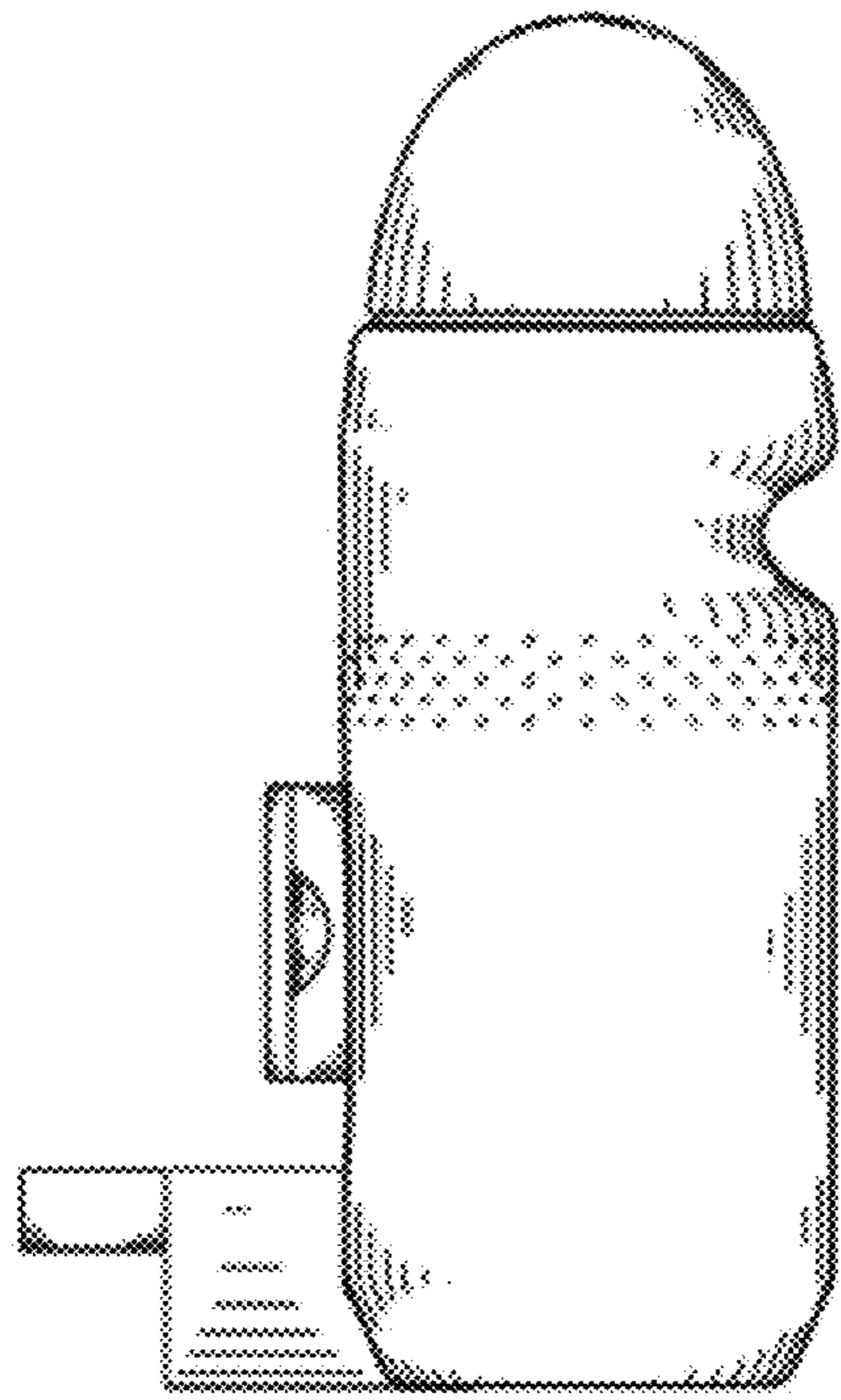


FIG. 12

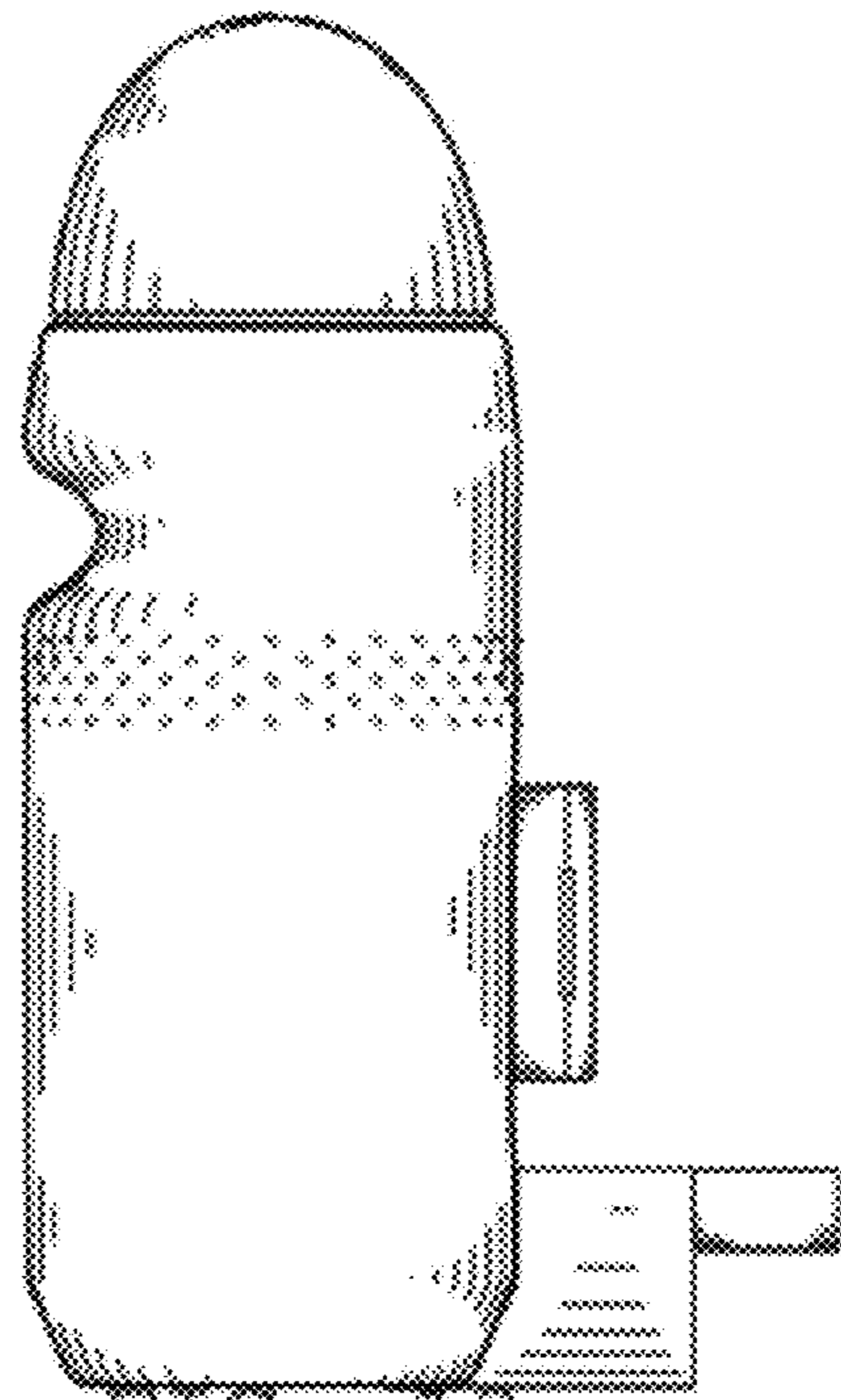


FIG. 13

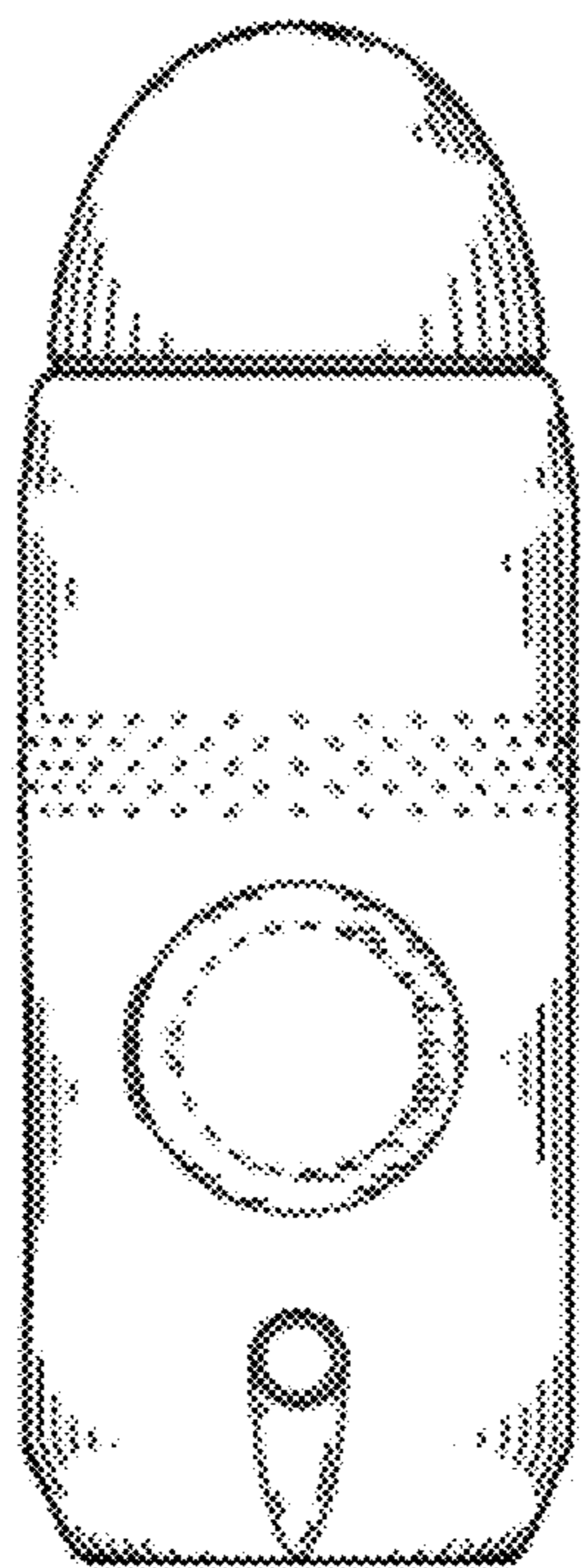


FIG. 14

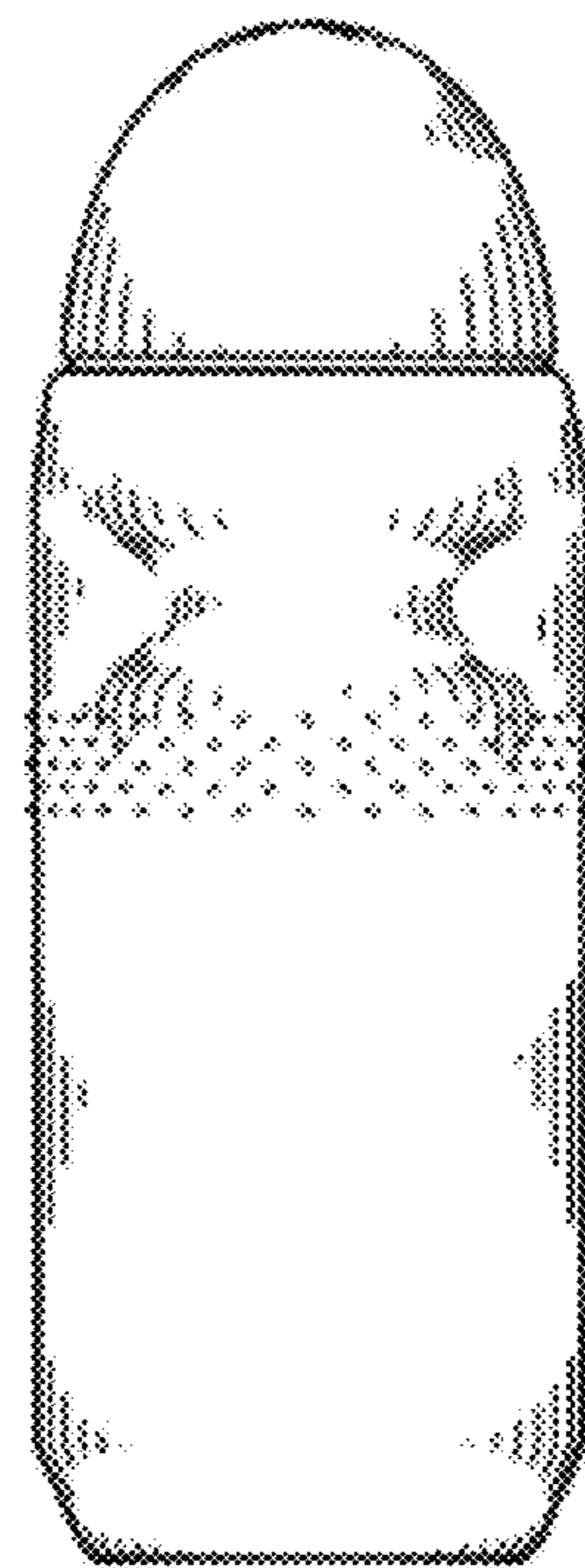


FIG. 15