



US00D665225S

(12) **United States Design Patent**
Zakula et al.

(10) **Patent No.:** **US D665,225 S**

(45) **Date of Patent:** **** Aug. 14, 2012**

(54) **GRILLE**

(75) Inventors: **Mirko Zakula**, New Berlin, WI (US);
Corey S. Jacak, West Bend, WI (US)

(73) Assignee: **Broan-NuTone LLC**, Hartford, WI (US)

(**) Term: **14 Years**

(21) Appl. No.: **29/399,221**

(22) Filed: **Aug. 10, 2011**

(51) **LOC (9) Cl.** **07-02**

(52) **U.S. Cl.** **D7/409**

(58) **Field of Classification Search** D6/511;
D7/323, 329-332, 337, 339, 346-347, 350.1-350.4,
D7/354-363, 390, 393, 395, 402, 409, 538,
D7/542-545, 554.2-554.3, 566, 570, 584-587,
D7/601-602, 610, 667; 99/279, 324-325,
99/330-332, 337-340, 369, 403-425, 444,
99/450; D23/308; D30/120; 126/25 A,
126/41 R, 275 R, 380.1, 390.1; 219/400,
219/405, 435-442, 620-624, 725, 730-735,
219/754-755; 220/4.26, 485, 491, 573.1-573.5,
220/574, 607, 658, 676, 759, 771, 912; 229/110,
229/406; 426/438, 441, 523

See application file for complete search history.

(56) **References Cited**

U.S. PATENT DOCUMENTS

D173,120 S *	9/1954	Levenhagen	D7/554.3
D288,396 S *	2/1987	Ritman	D7/586
D409,449 S *	5/1999	Cornelissen	D7/554.3
D418,909 S *	1/2000	Mockett	D23/308
D427,009 S *	6/2000	Iyengar et al.	D7/360
D435,705 S *	12/2000	Powers et al.	D30/120
D461,995 S *	8/2002	Massaloux et al.	D7/554.3
D532,247 S *	11/2006	Copeland	D7/354
D550,043 S *	9/2007	Brattoli	D7/554.3
D553,905 S *	10/2007	Orr, Jr.	D7/390
D578,811 S *	10/2008	Gervasi	D6/511

* cited by examiner

Primary Examiner — Ricky Pham

(74) *Attorney, Agent, or Firm* — Greenberg Traurig, LLP

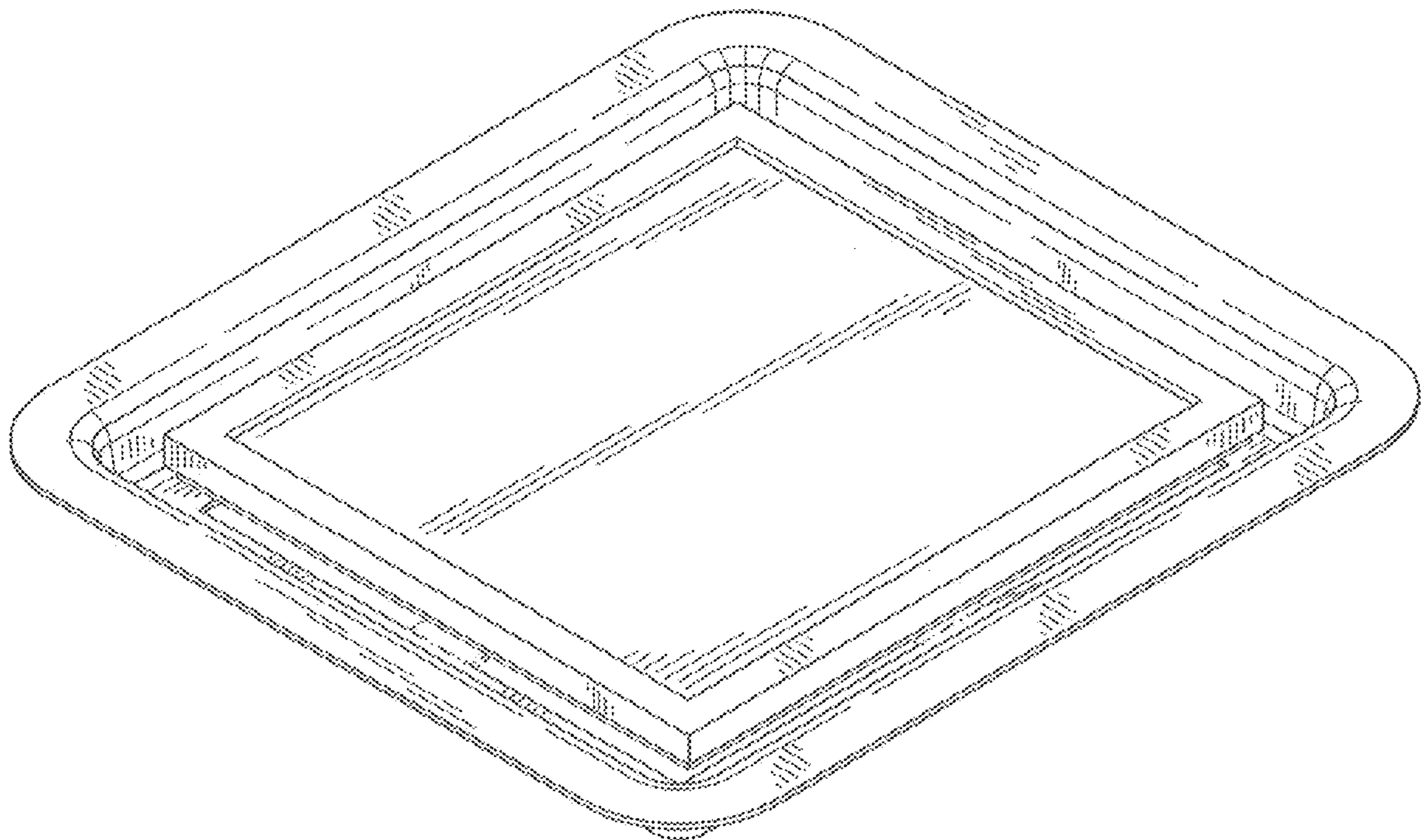
(57) **CLAIM**

We claim the ornamental design for a grille, as shown and described.

DESCRIPTION

FIG. 1 is a perspective view of a grille;
FIG. 2 is a perspective view of the bottom of the grille of FIG. 1;
FIG. 3 is a top view of the grille of FIG. 1;
FIG. 4 is a bottom view of the grille of FIG. 1;
FIG. 5 is a first side view of the grille of FIG. 1; and,
FIG. 6 is a second side view of the grille of FIG. 1.
The features shown in broken lines depict environmental subject matter only and form no part of the claimed design.

1 Claim, 5 Drawing Sheets



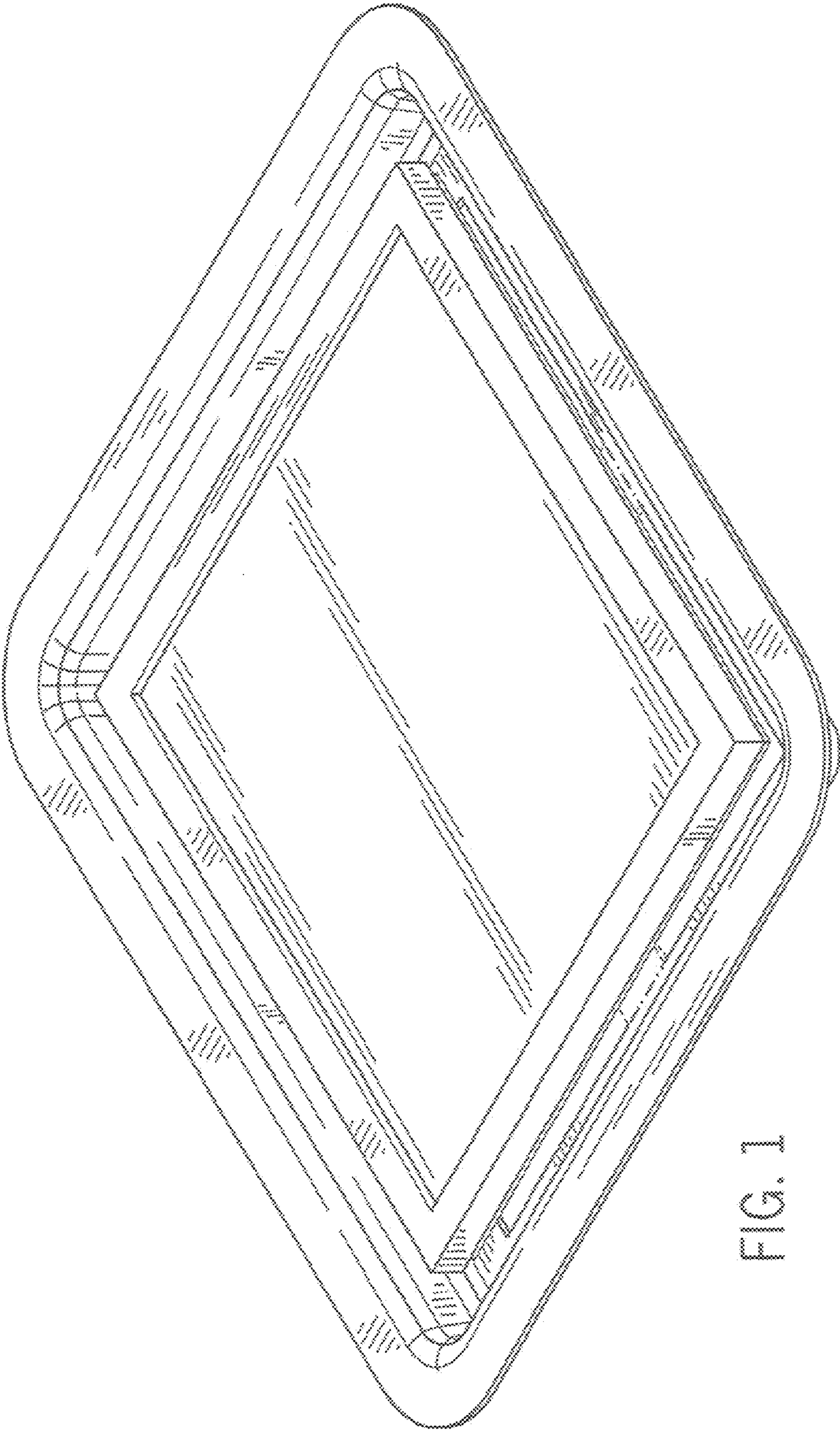


FIG. 1

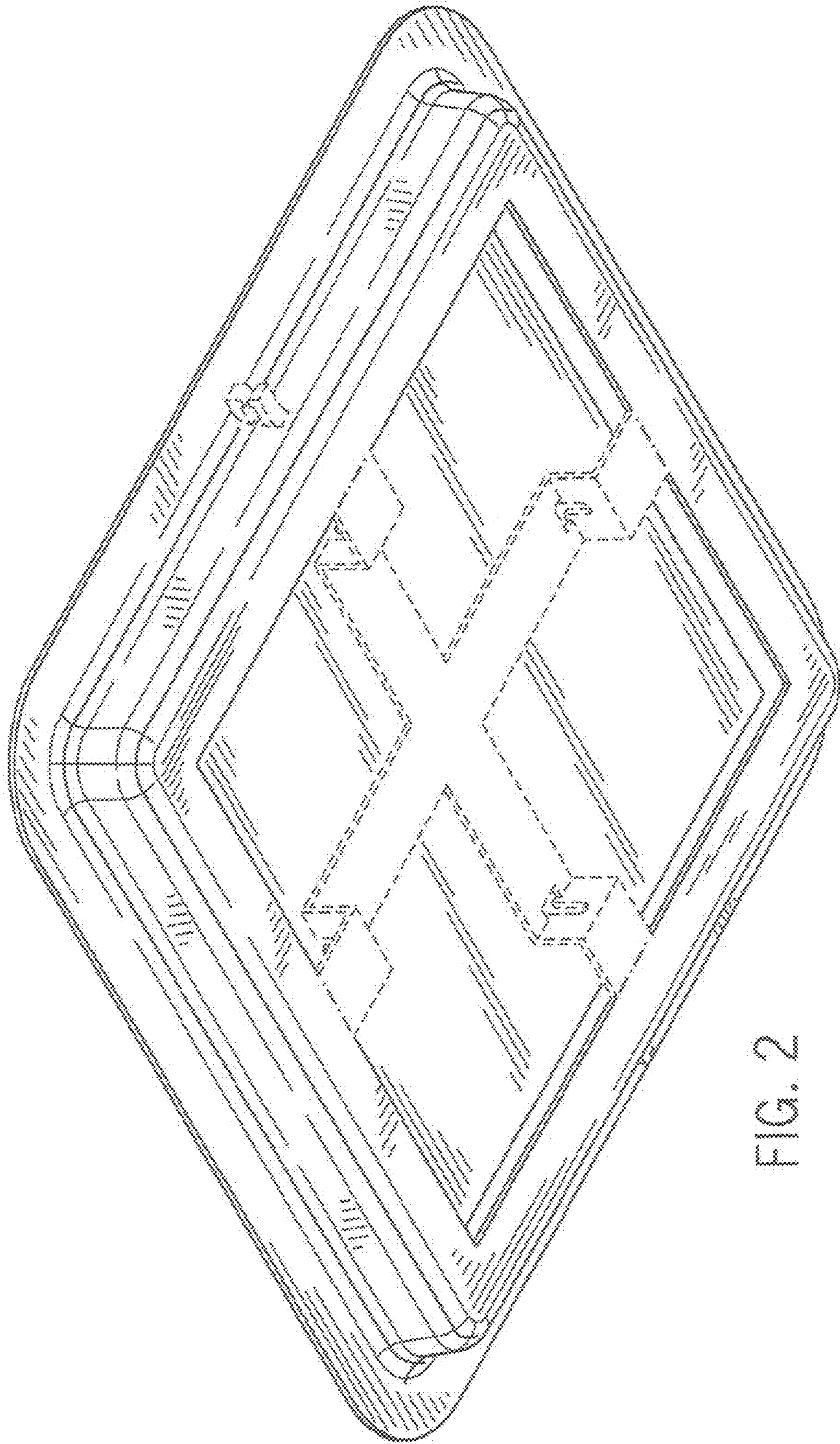


FIG. 2

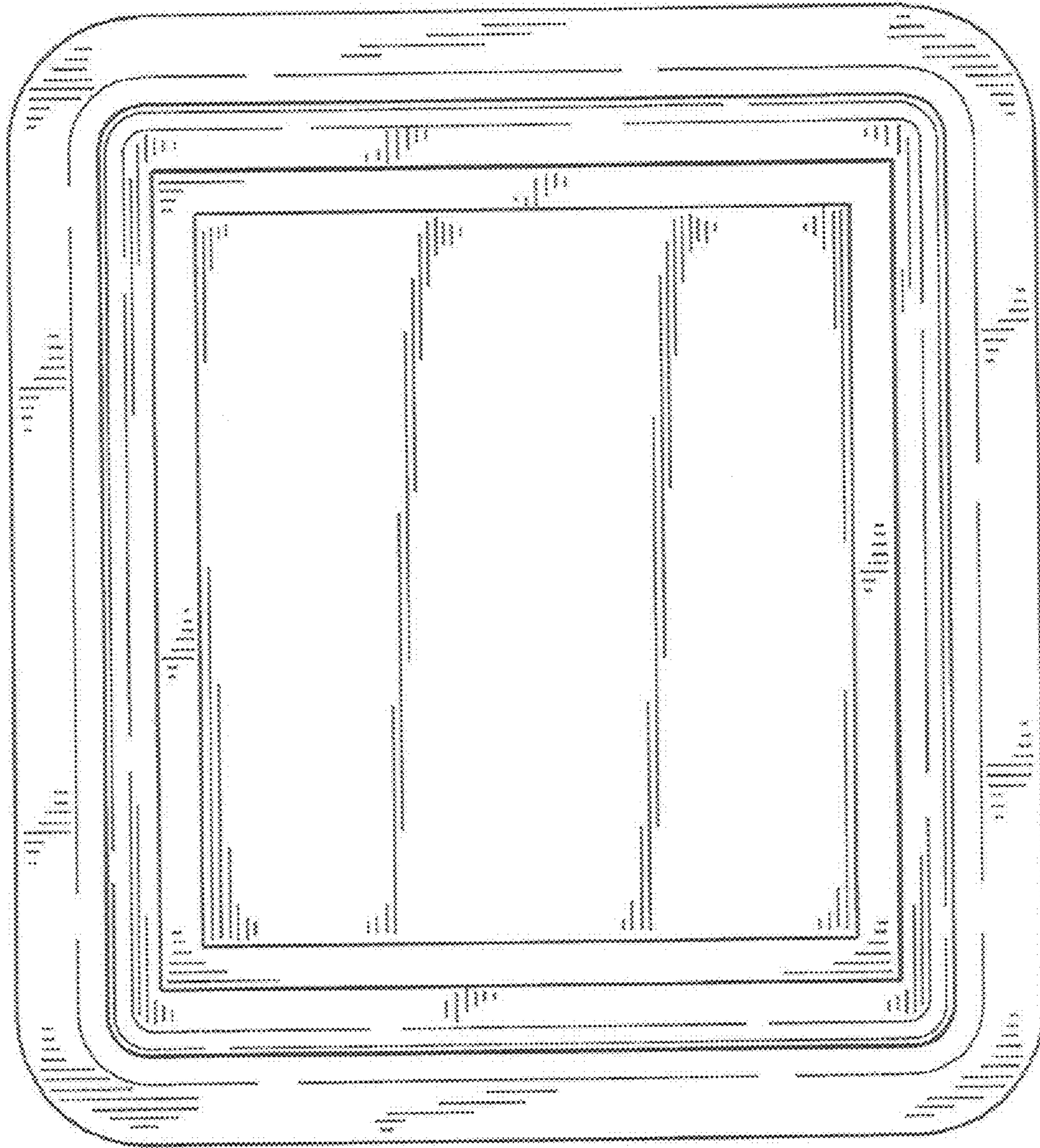


FIG. 3

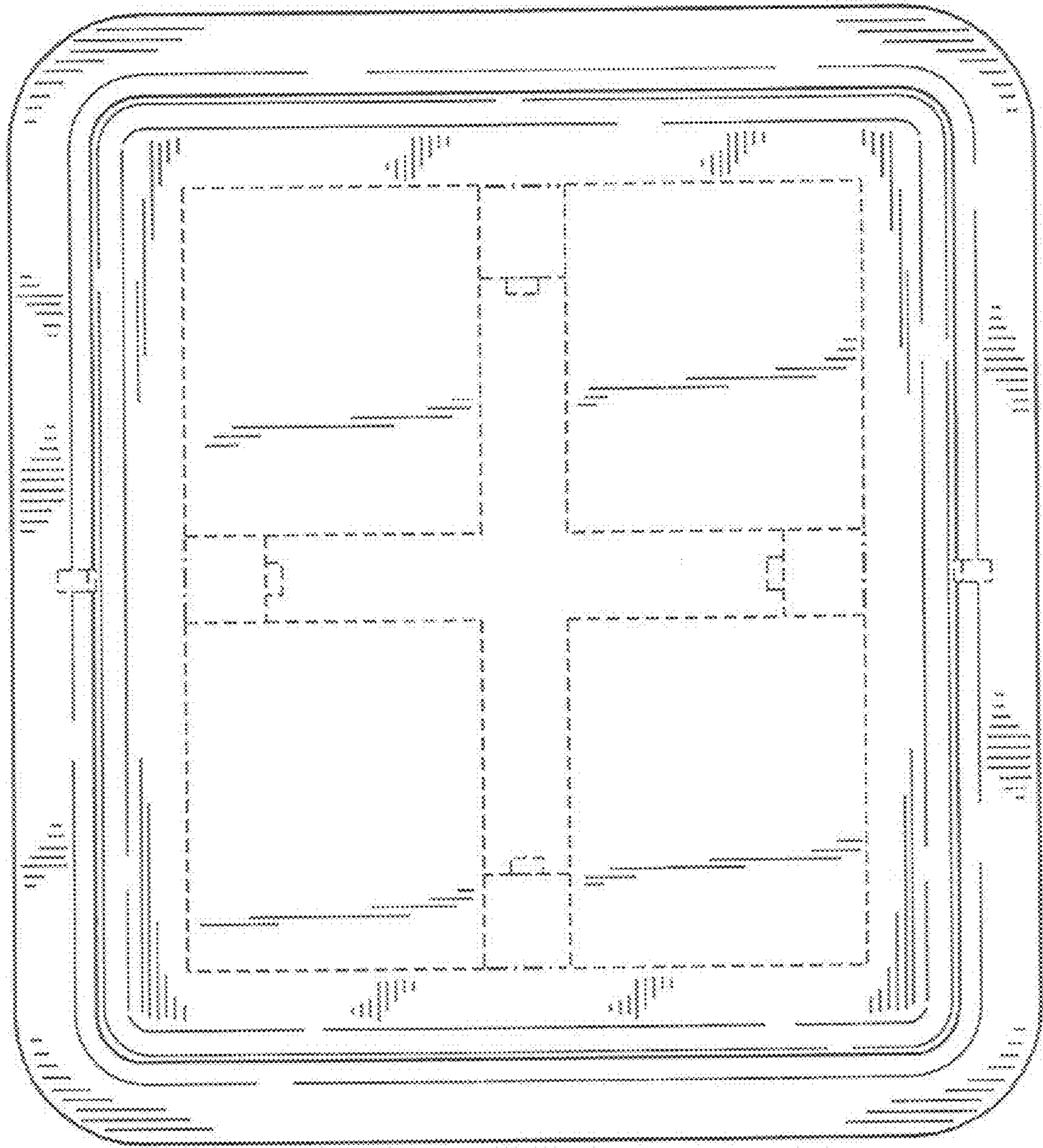


FIG. 4

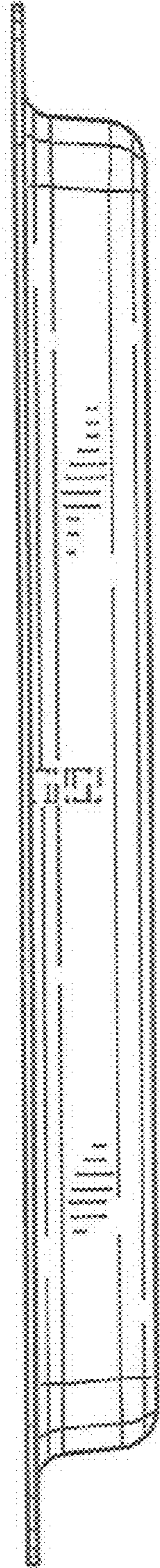


FIG. 5

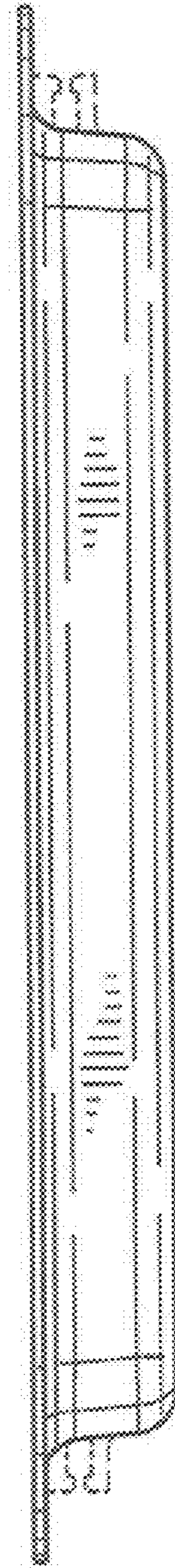


FIG. 6