



US00D665224S

(12) **United States Design Patent**
Benoit et al.

(10) **Patent No.:** **US D665,224 S**

(45) **Date of Patent:** **** Aug. 14, 2012**

(54) **HAND MIXER WITH ATTACHMENTS**

(75) Inventors: **Kaitlyn Benoit**, Benton Harbor, MI (US); **Zachary A. Lownds**, St. Joseph, MI (US)

(73) Assignee: **Whirlpool Corporation**, Benton Harbor, MI (US)

(**) Term: **14 Years**

(21) Appl. No.: **29/412,941**

(22) Filed: **Feb. 9, 2012**

(51) **LOC (9) Cl.** **31-00**

(52) **U.S. Cl.** **D7/379; D7/376; D7/378**

(58) **Field of Classification Search** D7/301-313, D7/316-319, 356-357, 368, 372-386, 391-398, D7/412-415, 515, 665, 679, 691; D8/64; 99/326, 348, 492, 508-512; 241/30-37.5, 241/101.01-101.2, 166-169.1, 172, 285.1-285.3, 241/291, 292.1; 366/64-67, 98, 129, 142-144, 366/197-211, 241-254, 262, 279-292, 325.8, 366/325.92, 341-347; 416/75-77, 70 R, 416/163

See application file for complete search history.

(56) **References Cited**

U.S. PATENT DOCUMENTS

D178,266 S *	7/1956	Swann	D7/379
D329,165 S *	9/1992	Doggett	D7/376
D329,166 S *	9/1992	Doggett	D7/376
D345,888 S *	4/1994	Joss et al.	D7/379
D362,783 S *	10/1995	Cruz	D7/379
D364,532 S *	11/1995	Seiffert	D7/379

D367,400 S *	2/1996	Viemeister et al.	D7/379
D387,244 S *	12/1997	Ivy et al.	D7/379
D400,049 S *	10/1998	Wanat et al.	D7/379
D419,365 S *	1/2000	Endres	D7/379
D419,366 S *	1/2000	Tse	D7/379
D523,309 S *	6/2006	Schmid	D8/64
D593,360 S *	6/2009	Lee	D7/379

* cited by examiner

Primary Examiner — Ricky Pham

(74) *Attorney, Agent, or Firm* — Jason S. Burnette; Barnes & Thornburg, LLP

(57) **CLAIM**

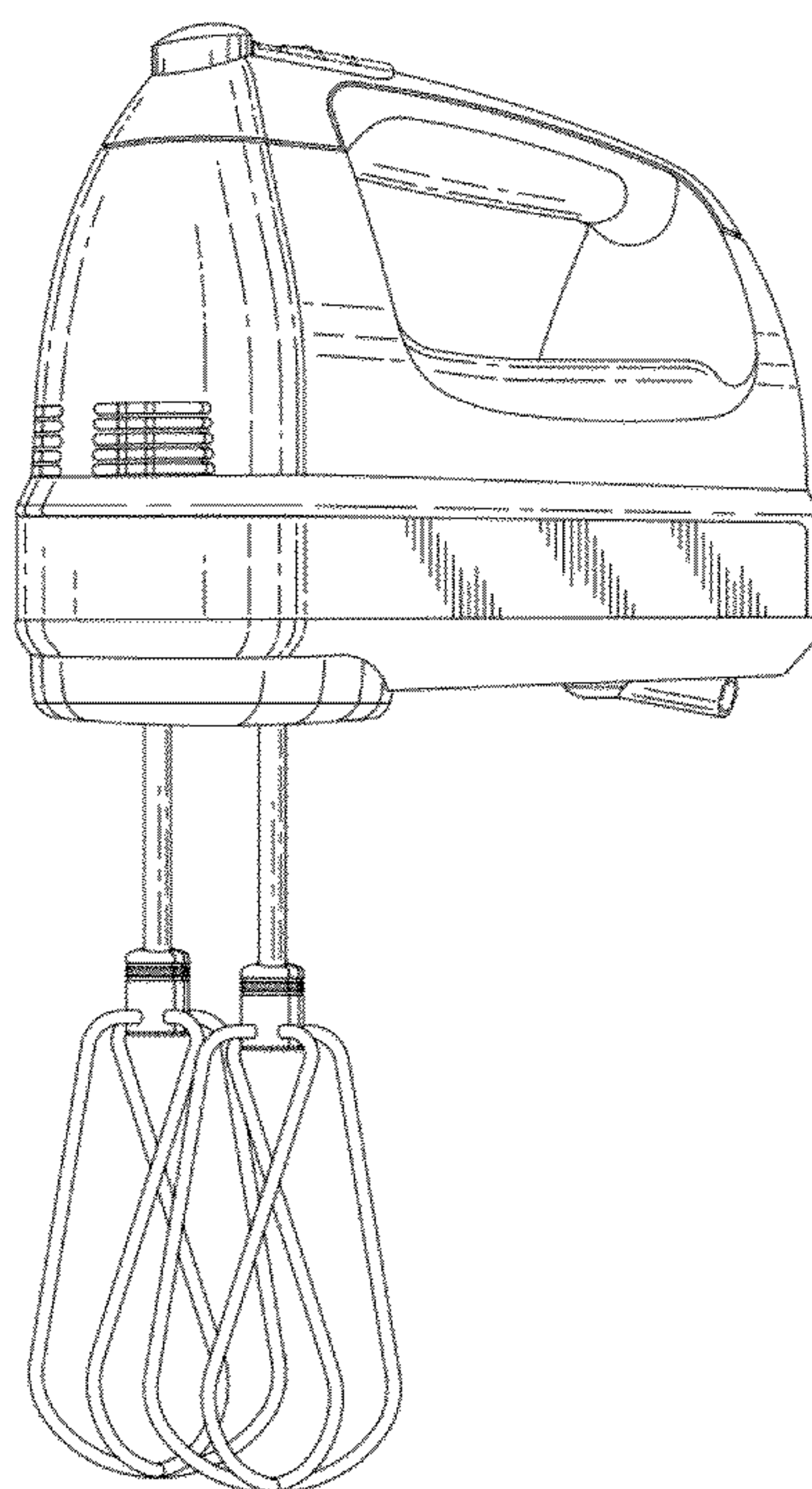
We claim the ornamental design for a hand mixer with attachments, as shown and described.

DESCRIPTION

FIG. 1 is a front perspective view of a design of the hand mixer with attachments;
FIG. 2 is a first side elevation view of the hand mixer with attachments of FIG. 1, with the second side elevation view being the mirror image of FIG. 2;
FIG. 3 is a front elevation view of the hand mixer with attachments of FIG. 1,
FIG. 4 is a rear elevation view of the hand mixer with attachments of FIG. 1;
FIG. 5 is a top plan view of the hand mixer with attachments of FIG. 1; and,
FIG. 6 is a bottom plan view of the hand mixer with attachments of FIG. 1.

The features shown in broken lines depict environmental subject matter only and form no part of the claimed design.

1 Claim, 6 Drawing Sheets



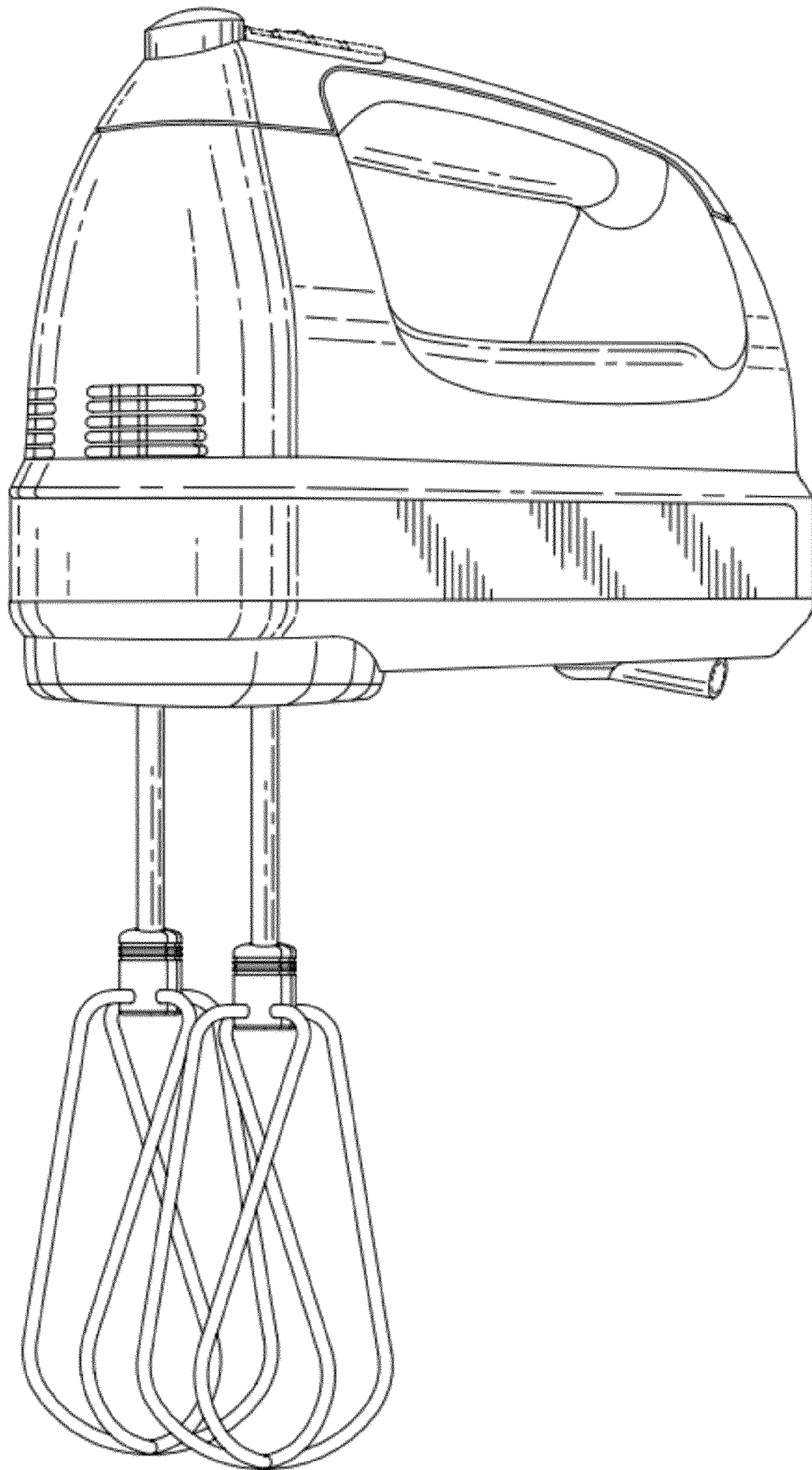


Fig. 1

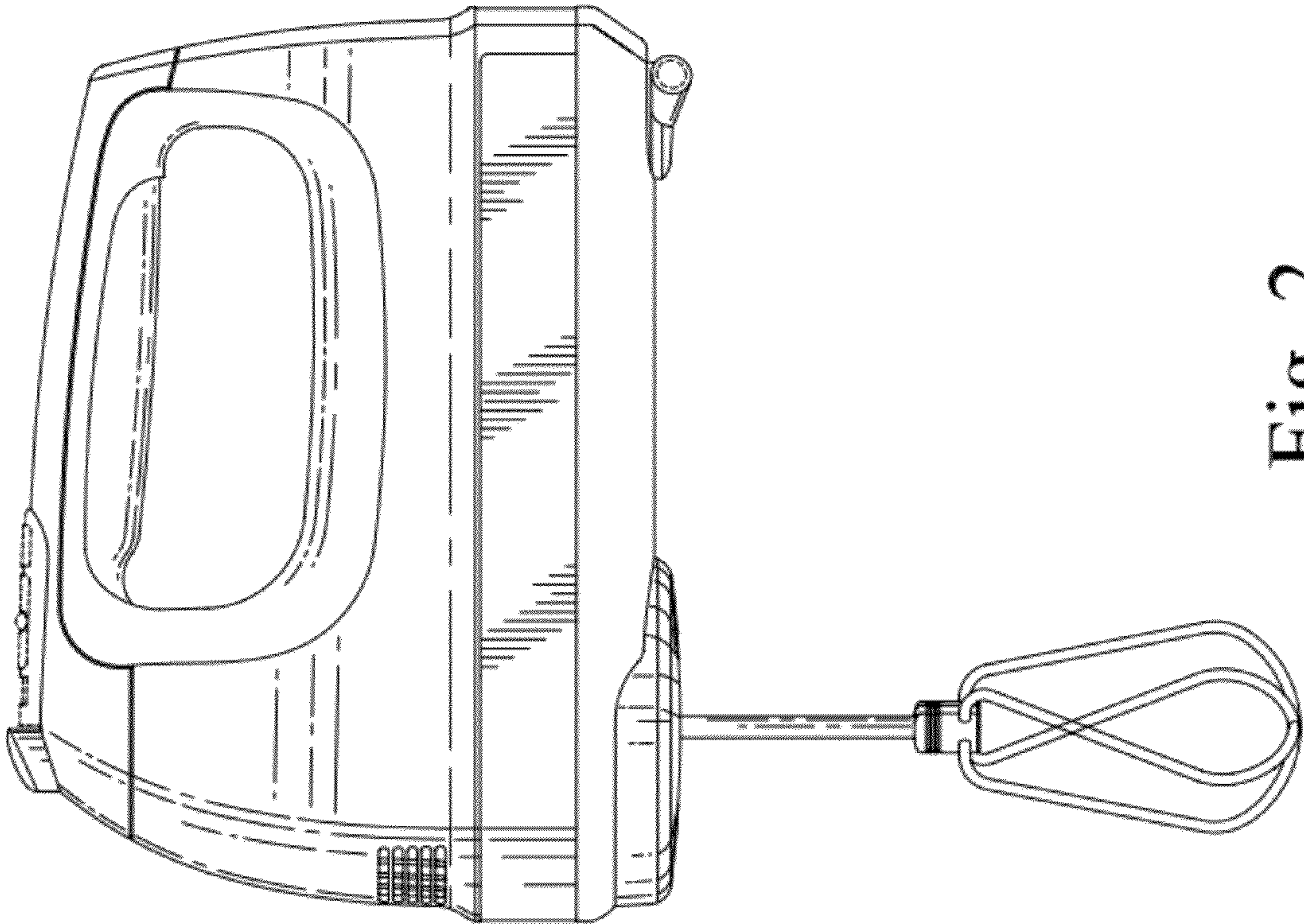


Fig. 2

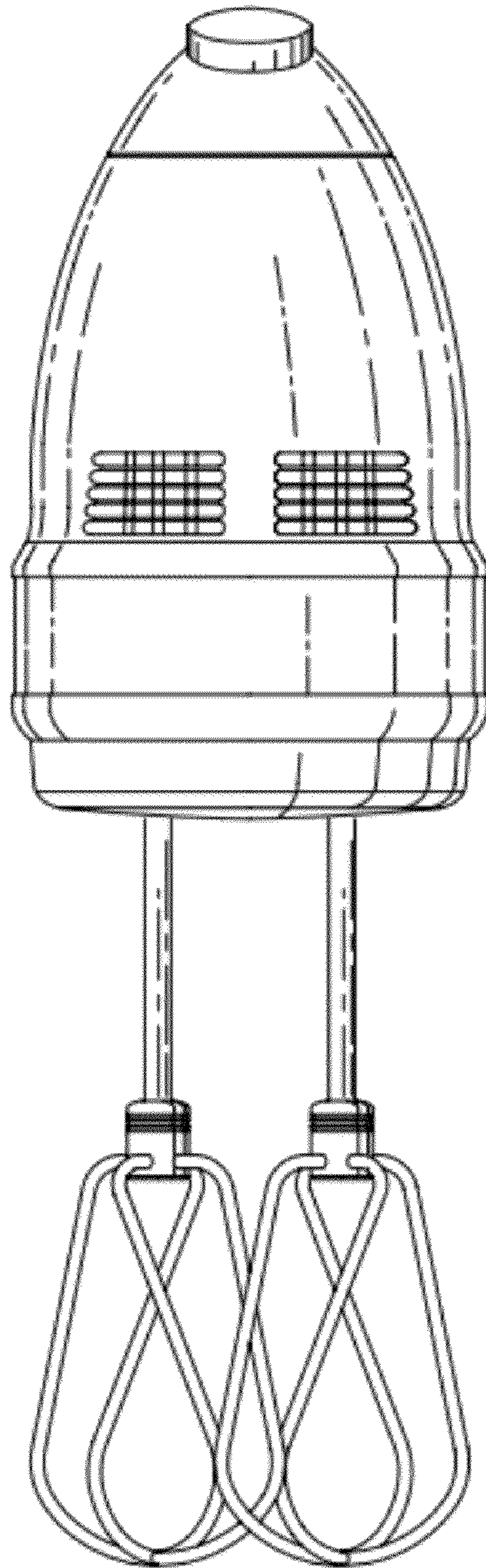


Fig. 3

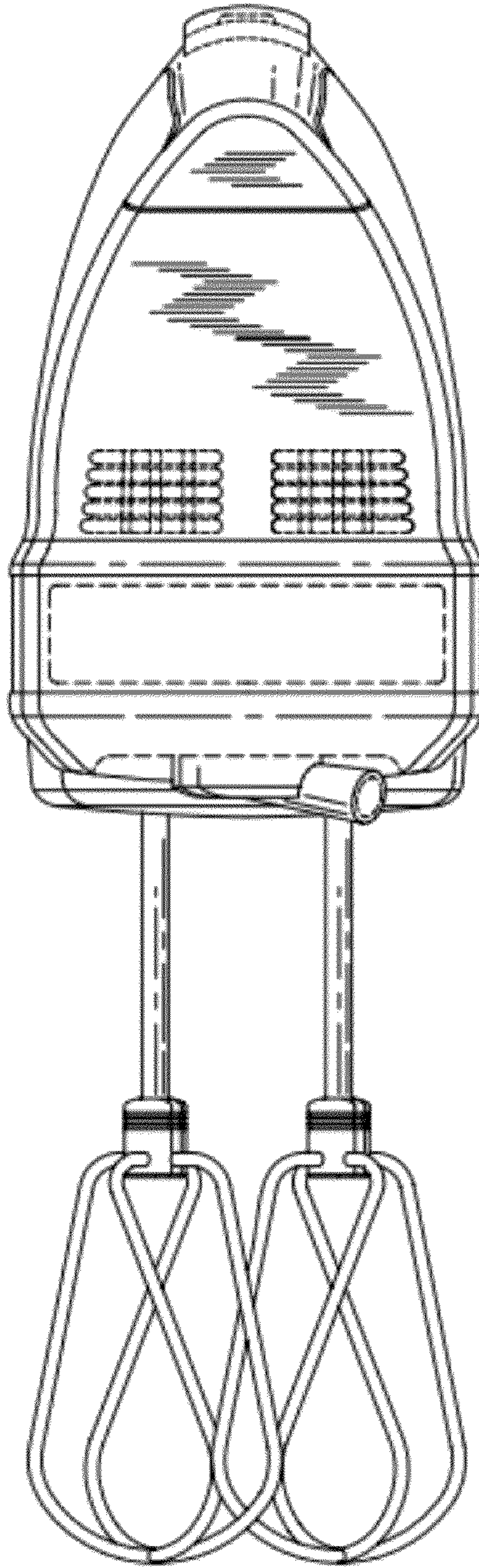


Fig. 4

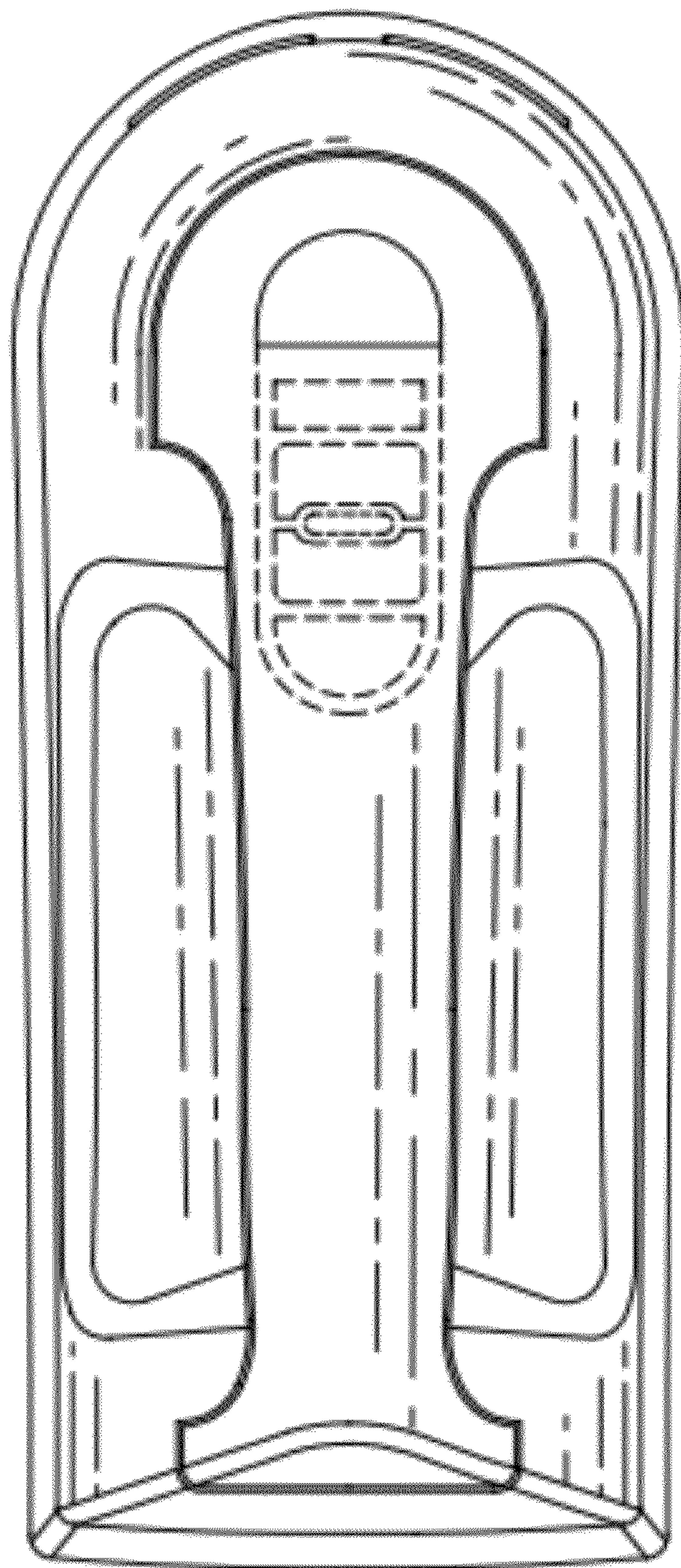


Fig. 5

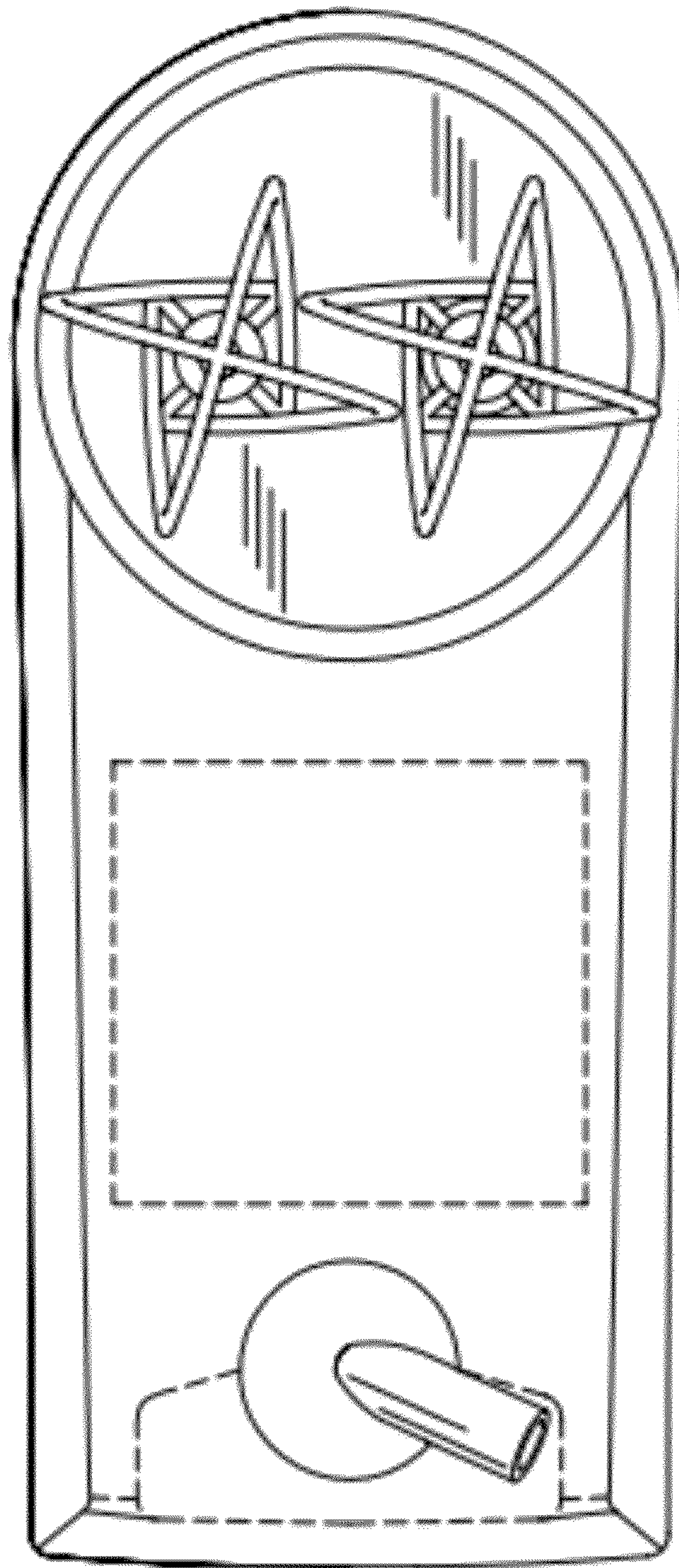


Fig. 6