



US00D665223S

(12) **United States Design Patent**
Haley et al.

(10) **Patent No.:** **US D665,223 S**

(45) **Date of Patent:** **** Aug. 14, 2012**

(54) **HAND MIXER**

(75) Inventors: **Vincent Haley**, Lawrence, MI (US);
Zachary A. Lownds, St. Joseph, MI
(US)

(73) Assignee: **Whirlpool Corporation**, Benton Harbor,
MI (US)

(**) Term: **14 Years**

(21) Appl. No.: **29/412,925**

(22) Filed: **Feb. 9, 2012**

(51) **LOC (9) Cl.** **31-00**

(52) **U.S. Cl.** **D7/379; D7/376; D7/378**

(58) **Field of Classification Search** D7/301-313,
D7/316-319, 356-357, 368, 372-386, 391-398,
D7/412-415, 515, 665, 679, 691; D8/64;
99/326, 348, 492, 508-512; 241/30-37.5,
241/101.01-101.2, 166-169.1, 172, 285.1-285.3,
241/291, 292.1; 366/64-67, 98, 129, 142-144,
366/197-211, 241-254, 262, 279-292, 325.8,
366/325.92, 341-347; 416/75-77, 70 R,
416/163

See application file for complete search history.

(56) **References Cited**

U.S. PATENT DOCUMENTS

D178,266 S * 7/1956 Swann D7/379
D329,165 S * 9/1992 Doggett D7/376
D329,166 S * 9/1992 Doggett D7/376

D345,888 S * 4/1994 Joss et al. D7/379
D362,783 S * 10/1995 Cruz D7/379
D364,532 S * 11/1995 Seiffert D7/379
D367,400 S * 2/1996 Viemeister et al. D7/379
D387,244 S * 12/1997 Ivy et al. D7/379
D400,049 S * 10/1998 Wanat et al. D7/379
D419,365 S * 1/2000 Endres D7/379
D419,366 S * 1/2000 Tse D7/379
D523,309 S * 6/2006 Schmid D8/64
D593,360 S * 6/2009 Lee D7/379

* cited by examiner

Primary Examiner — Ricky Pham

(74) *Attorney, Agent, or Firm* — Jason S. Burnette; Barnes &
Thornburg, LLP

(57) **CLAIM**

We claim the ornamental design for a hand mixer, as shown
and described.

DESCRIPTION

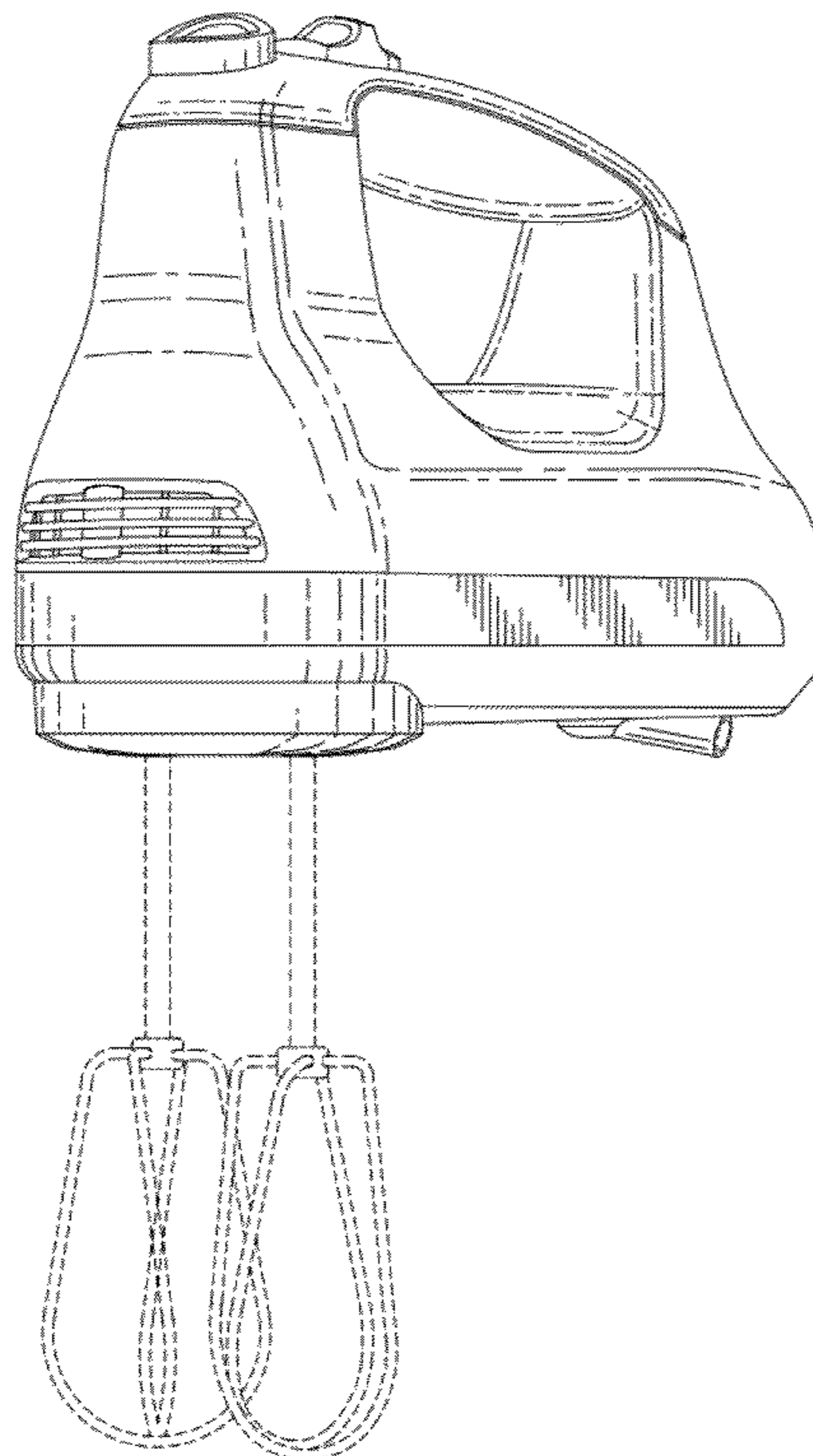
FIG. 1 is a front perspective view of a design of the hand
mixer;

FIG. 2 is a first side elevation view of the hand mixer of FIG.
1, with the second side elevation view being the mirror image
of FIG. 2;

FIG. 3 is a front elevation view of the hand mixer of FIG. 1,
FIG. 4 is a rear elevation view of the hand mixer of FIG. 1;
FIG. 5 is a top plan view of the hand mixer of FIG. 1; and,
FIG. 6 is a bottom plan view of the hand mixer of FIG. 1.

The features shown in broken lines depict environmental
subject matter only and form no part of the claimed design.

1 Claim, 6 Drawing Sheets



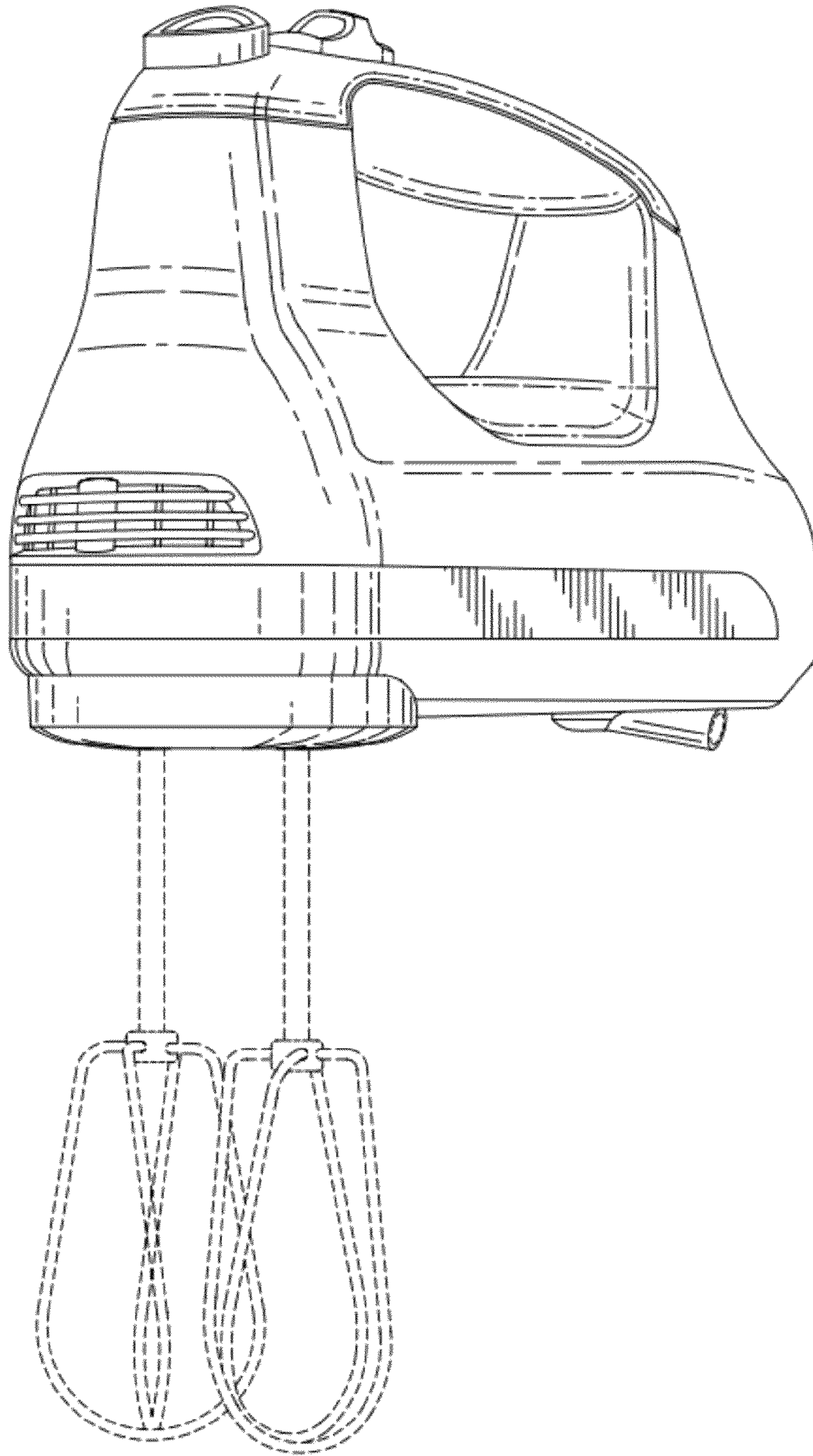


Fig. 1

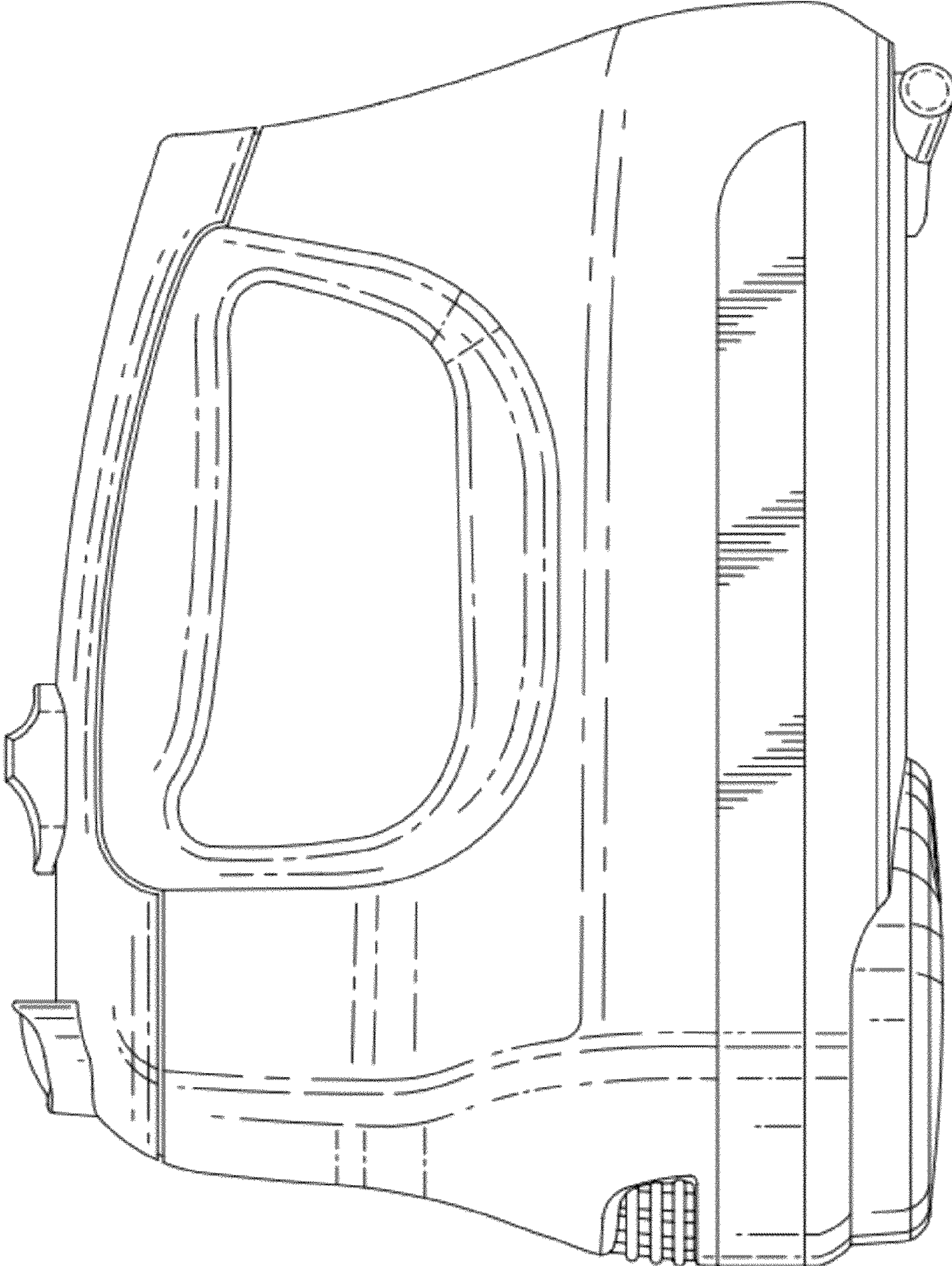


Fig. 2

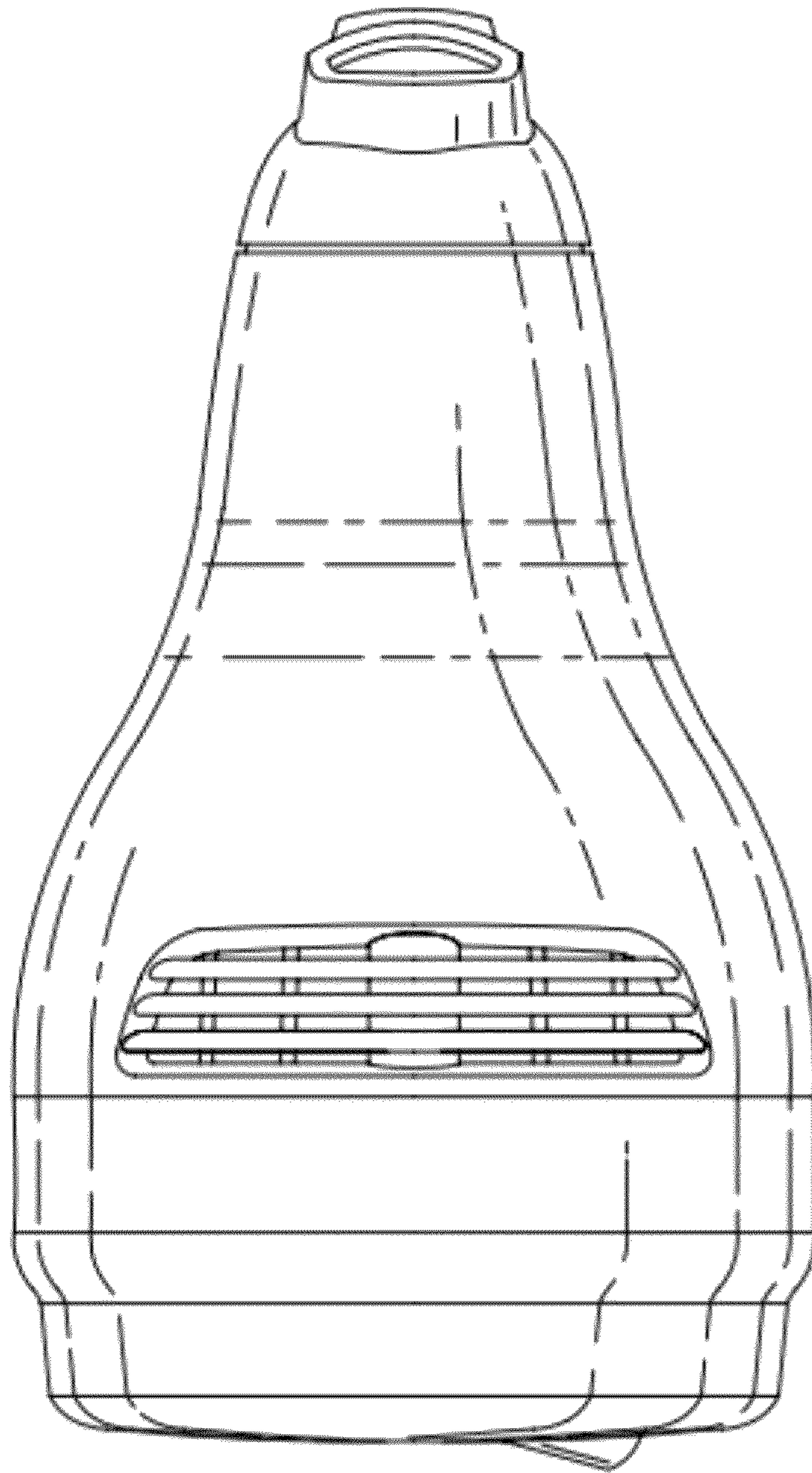


Fig. 3

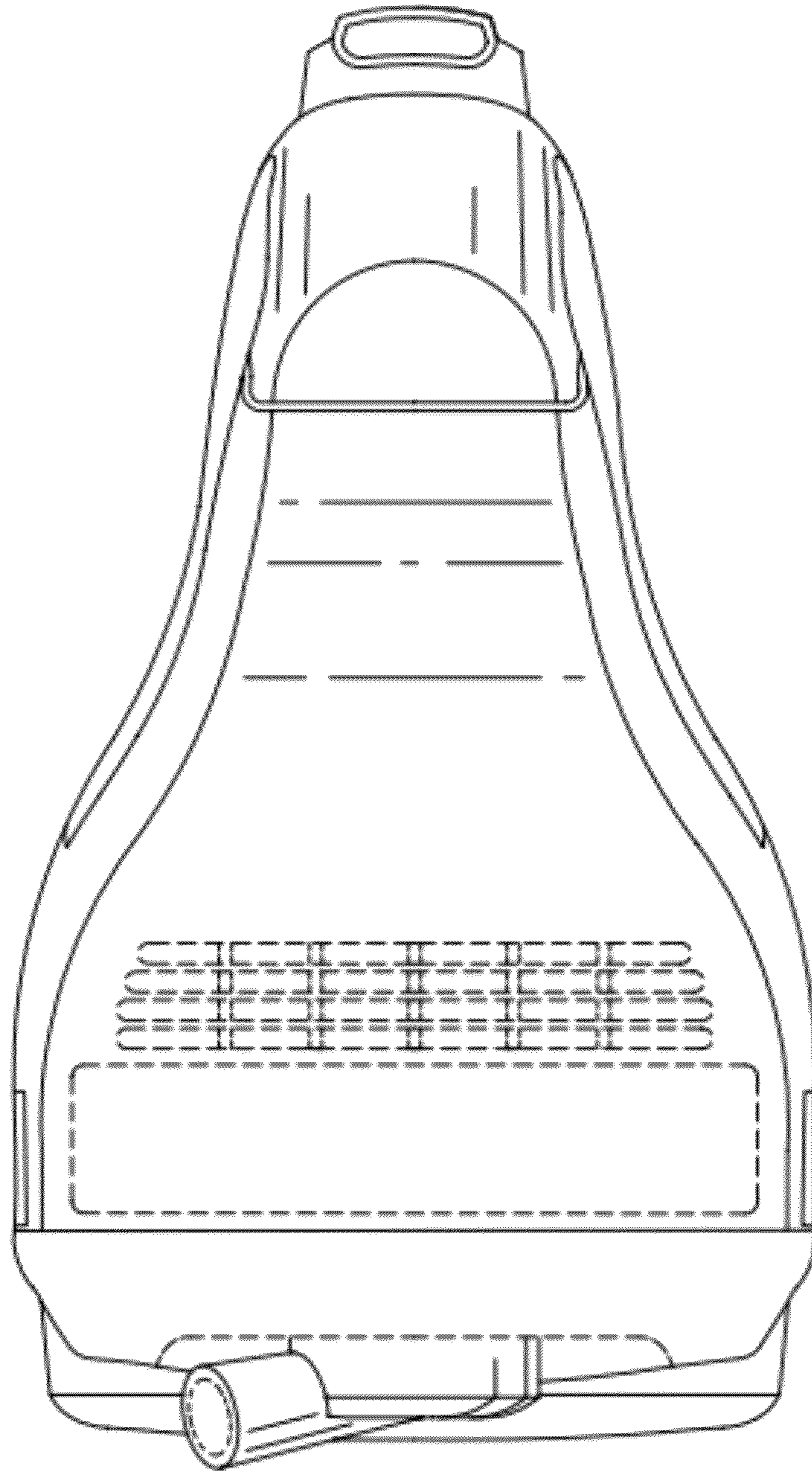


Fig. 4

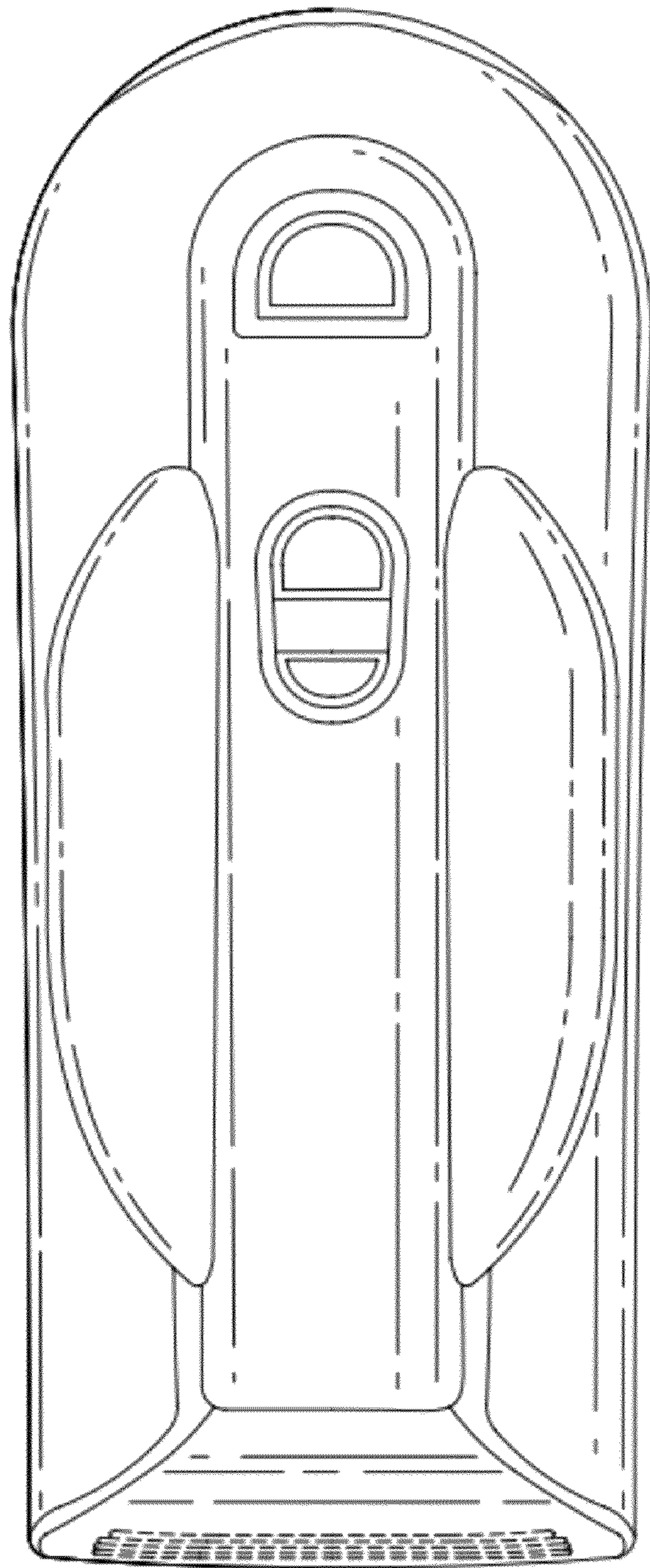


Fig. 5

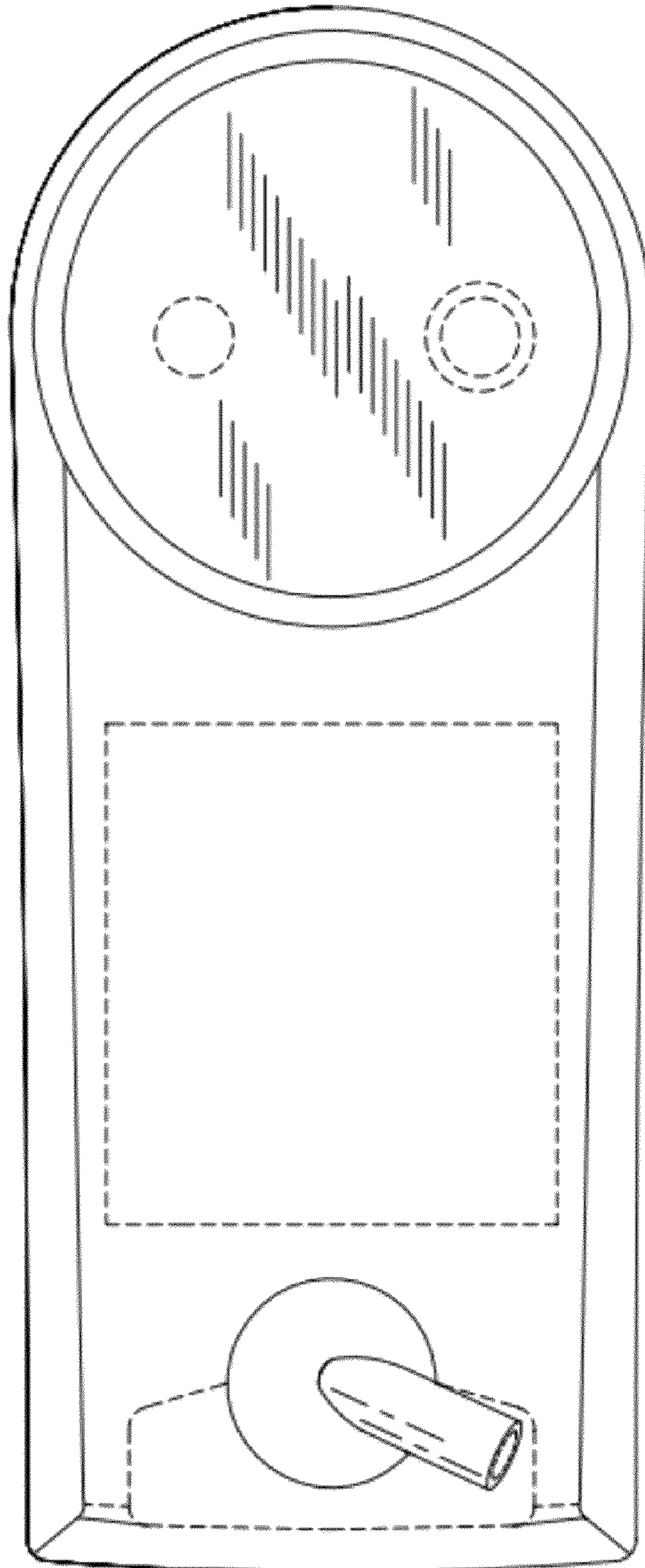


Fig. 6