



US00D665220S

(12) **United States Design Patent**
Ohmae et al.

(10) **Patent No.:** **US D665,220 S**

(45) **Date of Patent:** **** *Aug. 14, 2012**

(54) **MICROWAVE OVEN**

(75) Inventors: **Ken Ohmae**, Shiga (JP); **Muneyuki Nagai**, Nara (JP); **Haruka Ohno**, Kyoto (JP)

(73) Assignee: **Panasonic Corporation**, Osaka (JP)

(*) Notice: This patent is subject to a terminal disclaimer.

(**) Term: **14 Years**

(21) Appl. No.: **29/392,427**

(22) Filed: **May 20, 2011**

(51) **LOC (9) Cl.** **07-02**

(52) **U.S. Cl.** **D7/351**

(58) **Field of Classification Search** D7/350.1,
D7/350.3, 350.4, 351, 402, 403, 405, 406;
219/756, 757, 758, 391; 126/19 M, 21 A,
126/275 E; 99/352

See application file for complete search history.

(56) **References Cited**

U.S. PATENT DOCUMENTS

| | | | | |
|--------------|---------|---------------|-------|--------|
| D437,179 S * | 2/2001 | Ozaki et al. | | D7/351 |
| D452,410 S | 12/2001 | Ichimura | | |
| D476,521 S * | 7/2003 | Fukuda et al. | | D7/351 |
| D478,465 S * | 8/2003 | Kanza | | D7/351 |

| | | | | |
|--------------|---------|--------------|-------|----------|
| D522,801 S * | 6/2006 | Lee | | D7/351 |
| D531,447 S * | 11/2006 | Lee et al. | | D7/350.4 |
| D532,645 S * | 11/2006 | Lee | | D7/351 |
| D545,611 S * | 7/2007 | Sakata | | D7/351 |
| D577,246 S * | 9/2008 | Kikumoto | | D7/351 |
| D579,270 S * | 10/2008 | Green et al. | | D7/405 |
| D582,211 S | 12/2008 | Green | | |
| D583,614 S * | 12/2008 | Chung et al. | | D7/351 |
| D599,163 S * | 9/2009 | Oomae | | D7/351 |
| D632,125 S * | 2/2011 | Kim et al. | | D7/351 |
| D633,326 S * | 3/2011 | Shin et al. | | D7/351 |

* cited by examiner

Primary Examiner — Ruth McInroy

(74) *Attorney, Agent, or Firm* — Brinks Hofer Gilson & Lione

(57) **CLAIM**

We claim the ornamental design for a microwave oven, as shown and described.

DESCRIPTION

FIG. 1 is a front perspective view of a microwave oven of the present invention;

FIG. 2 is a front view thereof;

FIG. 3 is a rear view thereof;

FIG. 4 is a first side view thereof;

FIG. 5 is a second side view thereof;

FIG. 6 is a top view thereof; and,

FIG. 7 is a bottom view thereof.

1 Claim, 4 Drawing Sheets

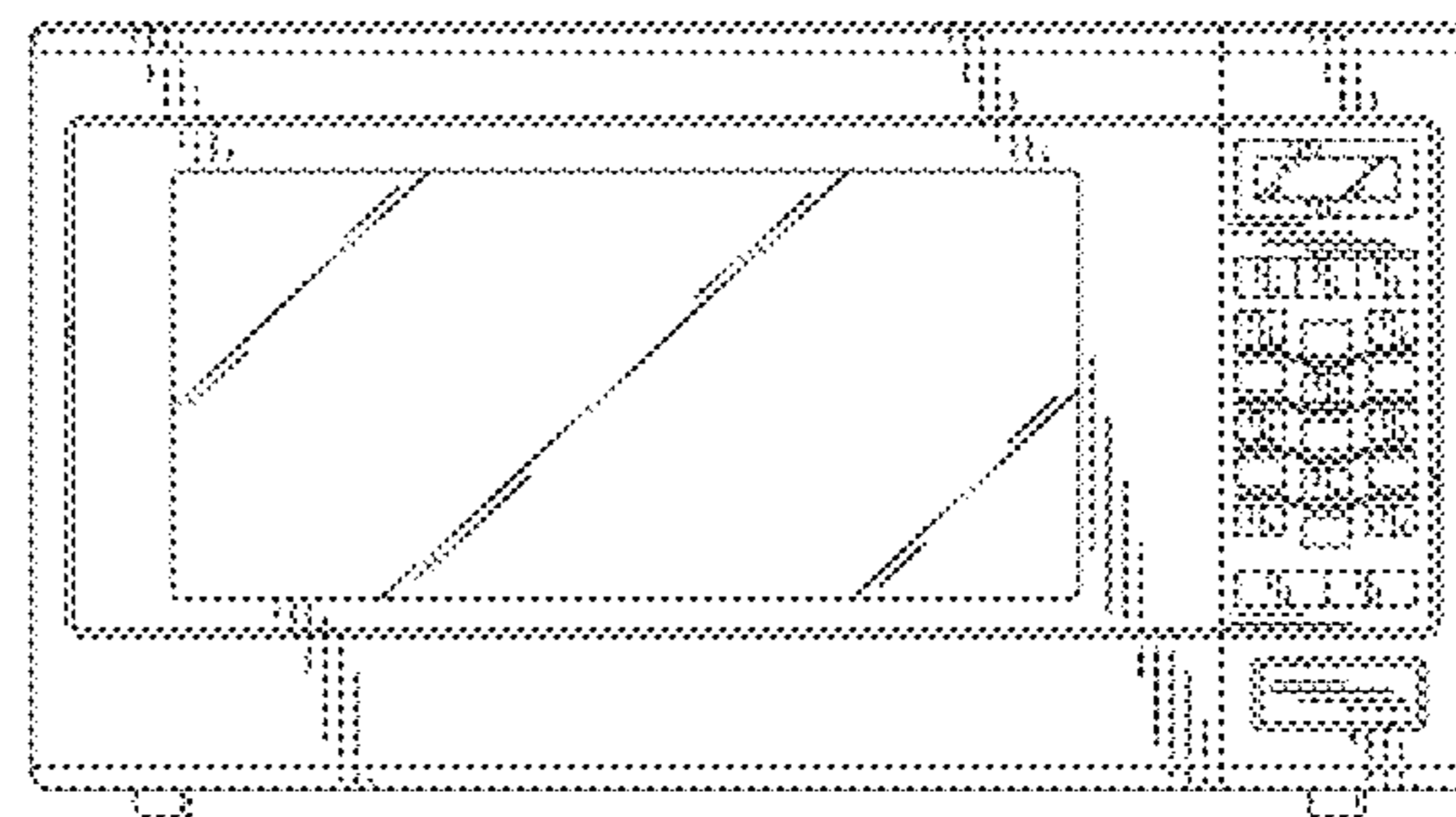
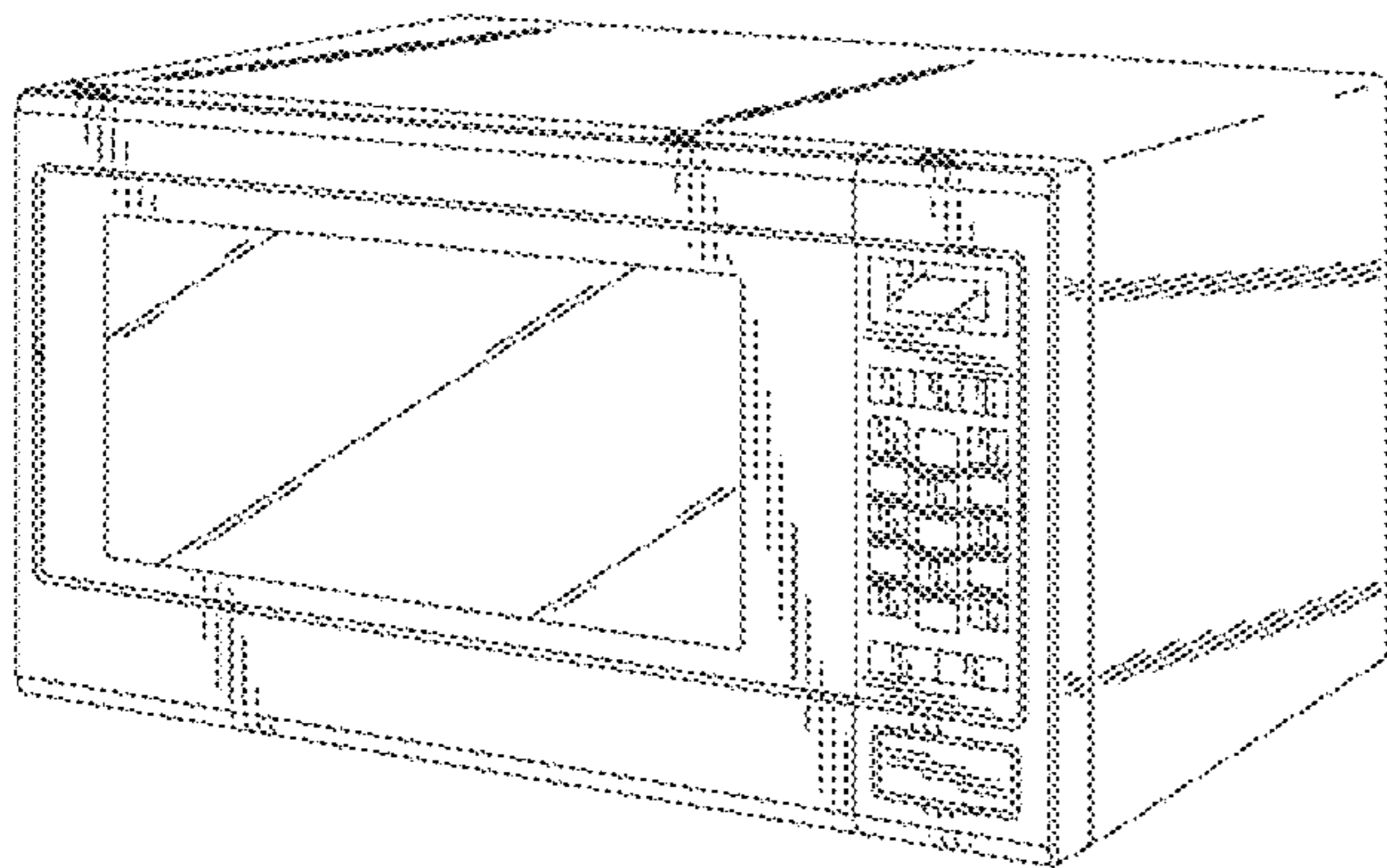


FIG. 1

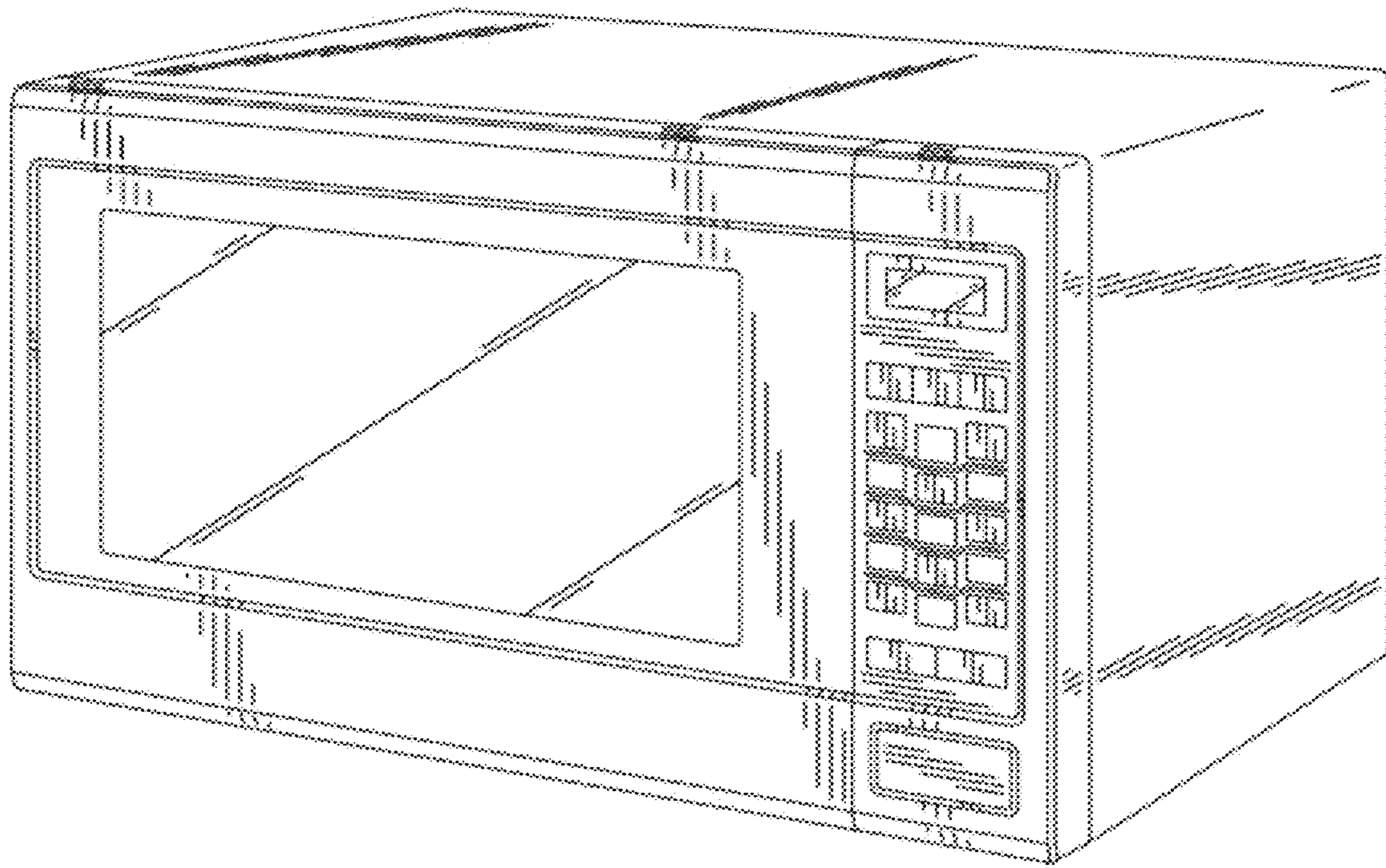


FIG.2

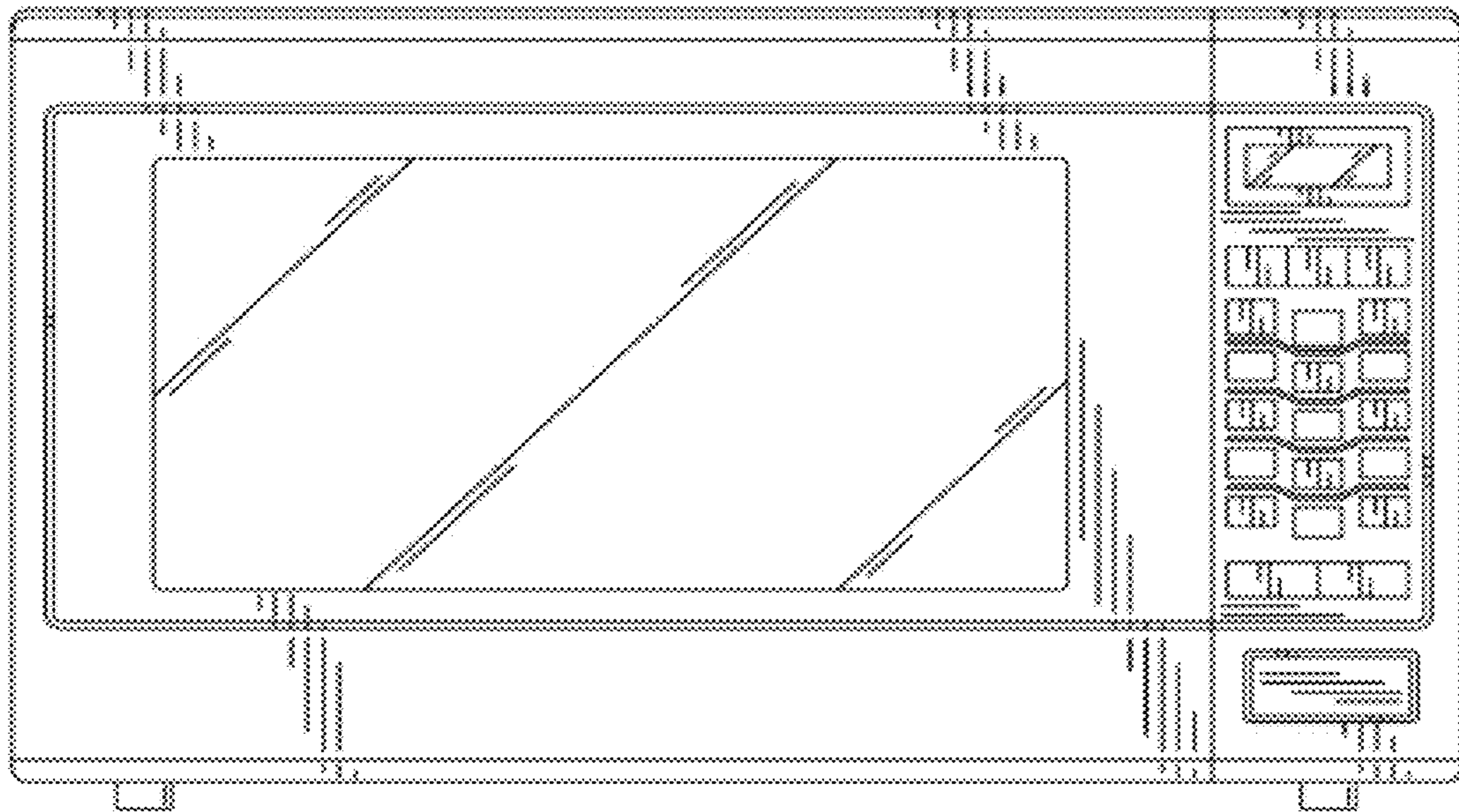


FIG.3

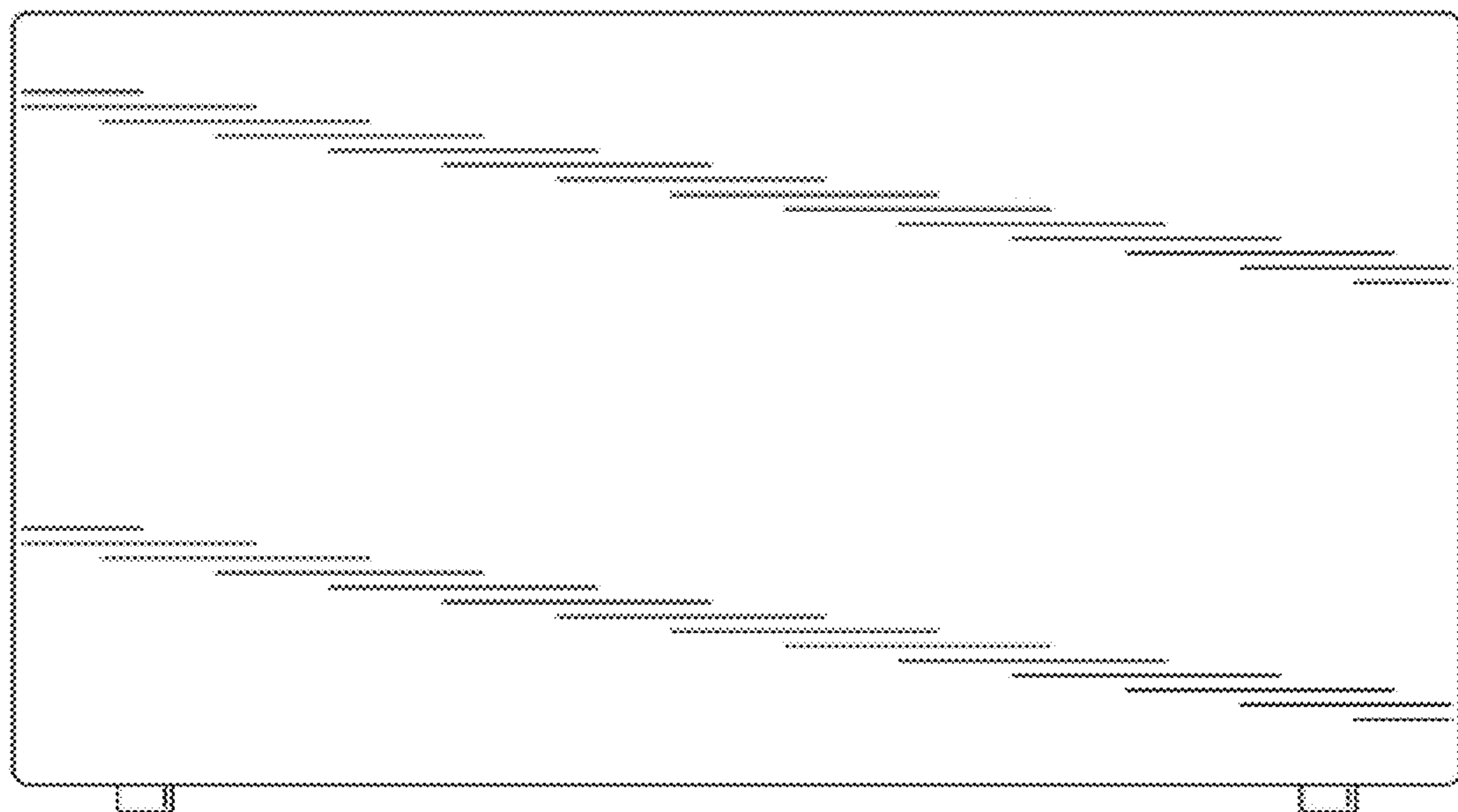


FIG.4

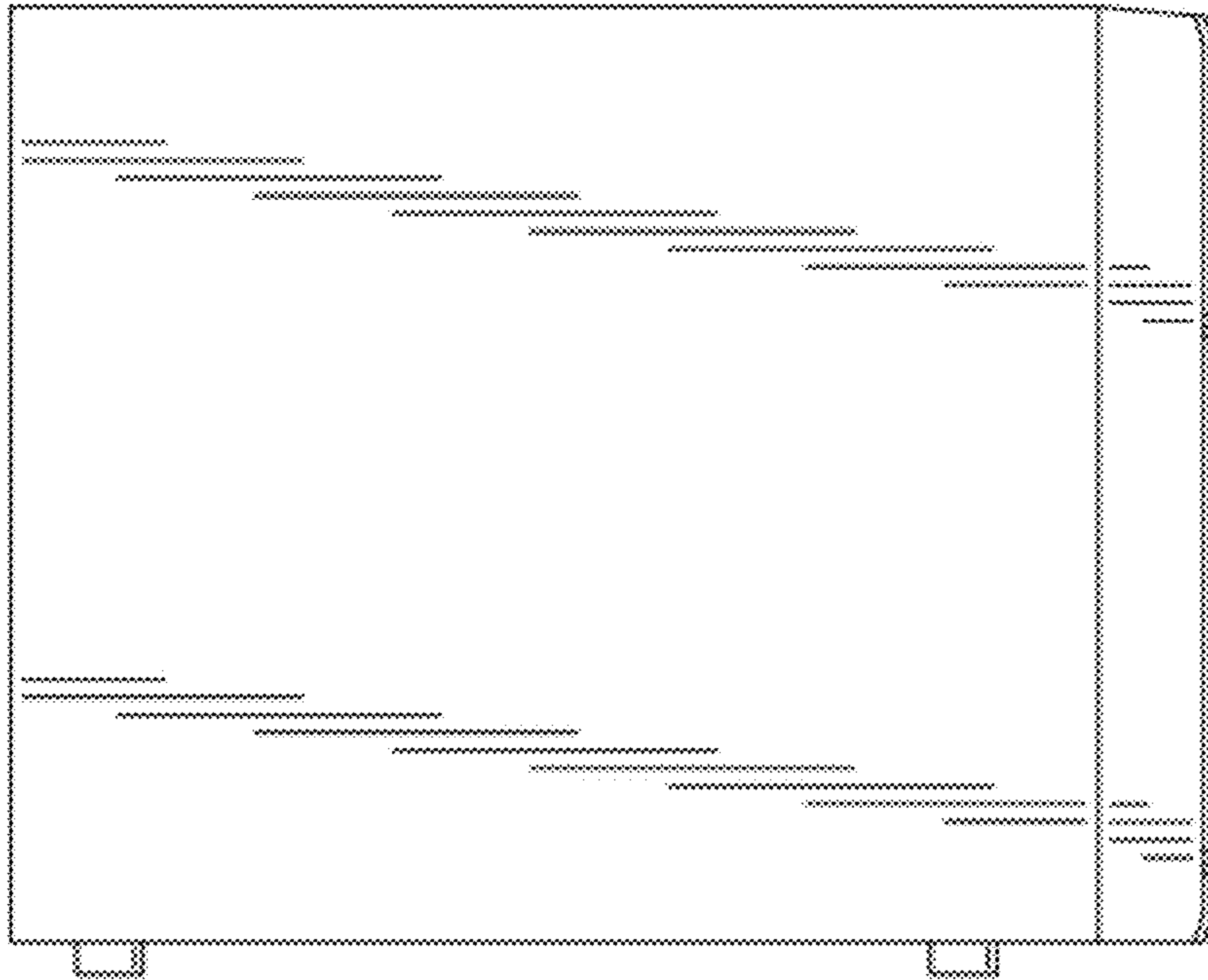


FIG.5

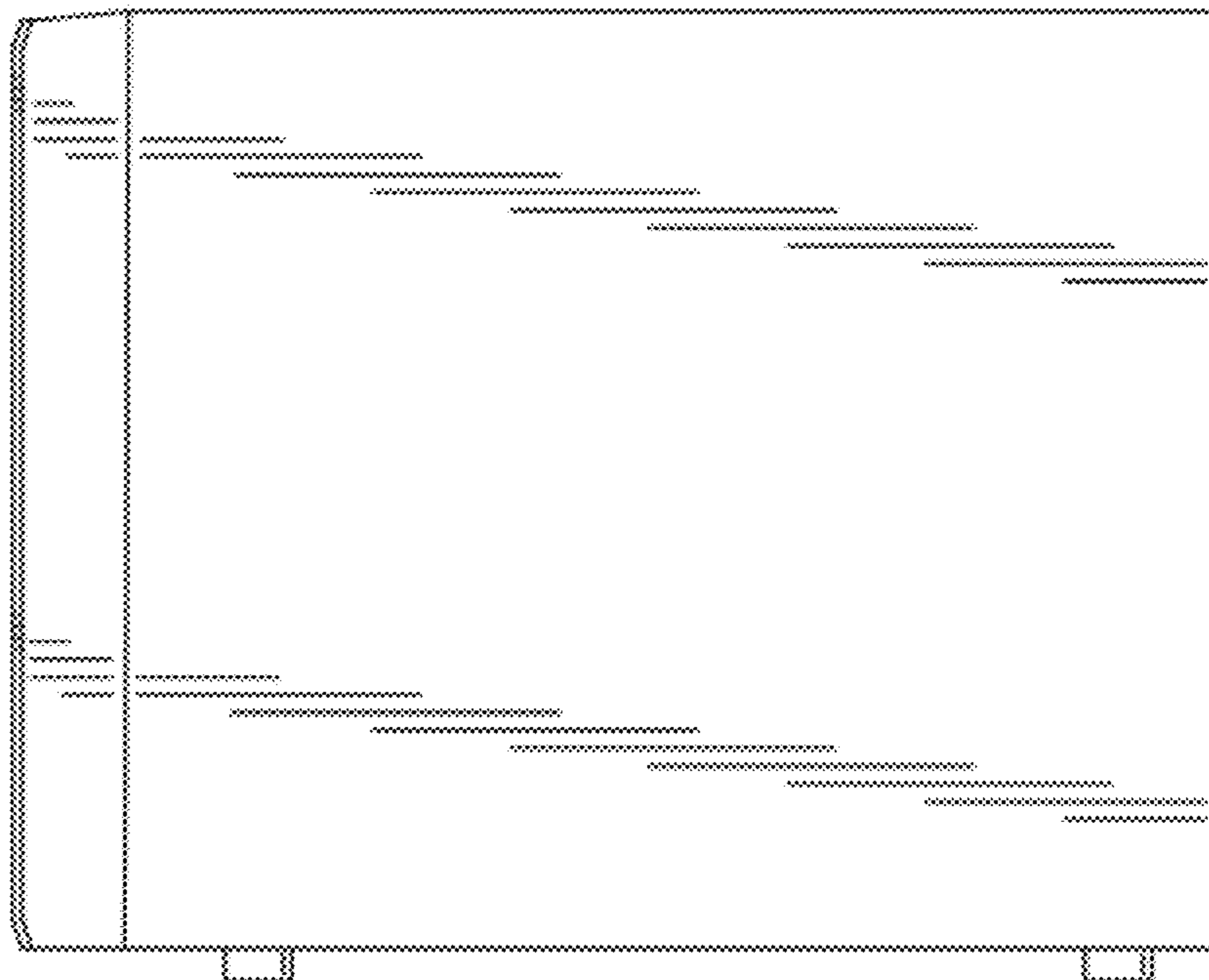


FIG.6

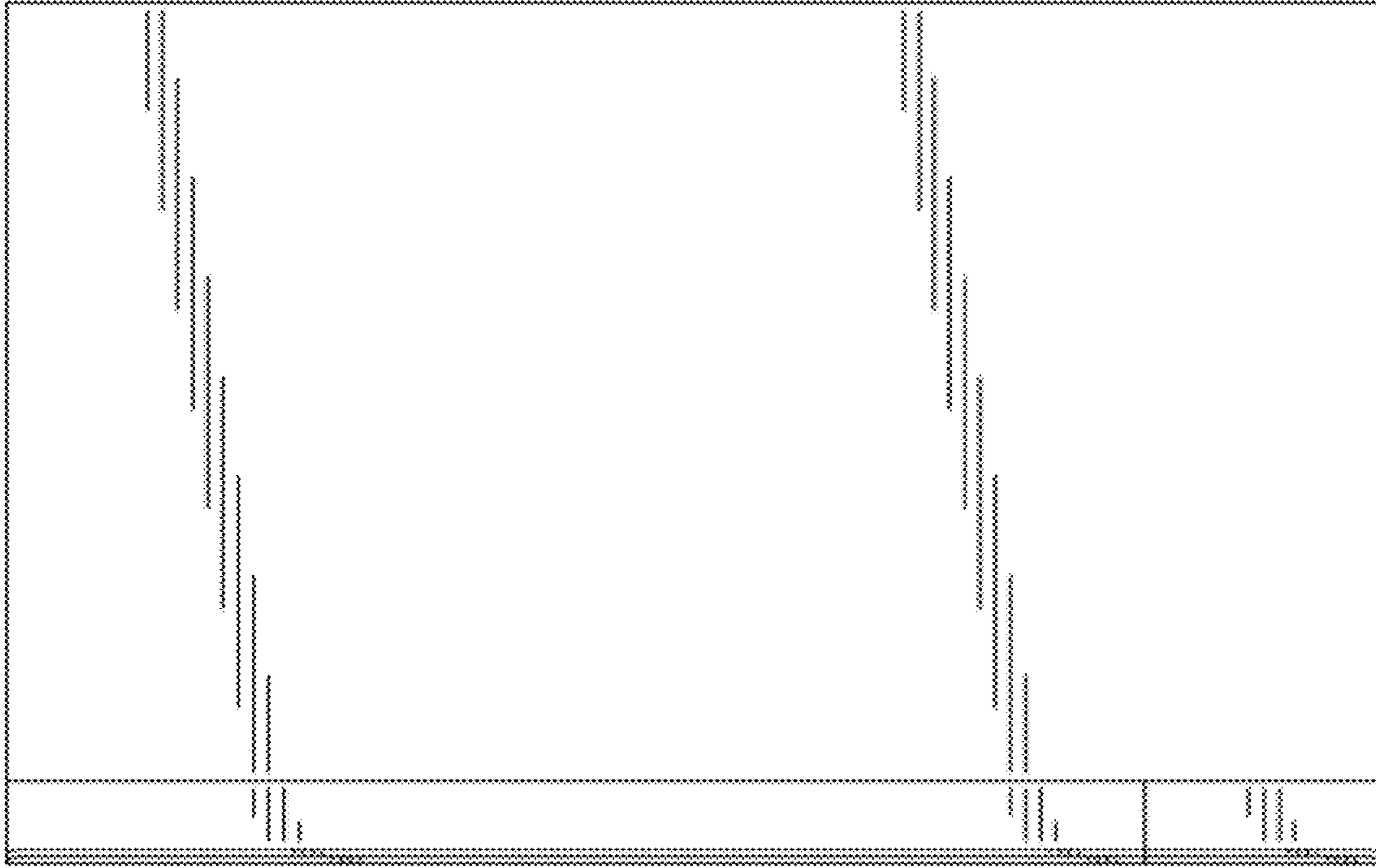


FIG.7

