

US00D665213S

(12) **United States Design Patent**
Mierzwa

(10) **Patent No.:** **US D665,213 S**

(45) **Date of Patent:** **** Aug. 14, 2012**

(54) **BEACH TOWEL**

(76) Inventor: **Virginia C. Mierzwa**, Tampa, FL (US)

(**) Term: **14 Years**

(21) Appl. No.: **29/365,282**

(22) Filed: **Jul. 7, 2010**

(51) **LOC (9) Cl.** **06-09**

(52) **U.S. Cl.** **D6/608**

(58) **Field of Classification Search** D6/595,
D6/596, 602, 603, 608; 5/417-420, 482,
5/495; 15/208, 209.1

See application file for complete search history.

(56) **References Cited**

U.S. PATENT DOCUMENTS

2,803,845	A	8/1957	Bradford	
D293,060	S	12/1987	Botbol	
4,794,029	A	12/1988	Tennant et al.	
5,187,823	A *	2/1993	Ferguson et al.	5/417
5,482,374	A *	1/1996	Buhyoff	383/4
D374,726	S *	10/1996	Lechleiter et al.	D25/138

5,693,398	A	12/1997	Granger	
5,819,343	A	10/1998	Zampirri, Jr. et al.	
D402,151	S *	12/1998	Collingsworth	D6/608
D414,067	S *	9/1999	Wickline et al.	D6/608
D421,178	S *	2/2000	Dandini	D3/233
6,185,765	B1 *	2/2001	High	5/419
D547,102	S *	7/2007	Overstreet	D6/608
8,122,538	B2 *	2/2012	McBrearty	5/417
2008/0127414	A1 *	6/2008	Allen	5/417

* cited by examiner

Primary Examiner — Janice Seeger

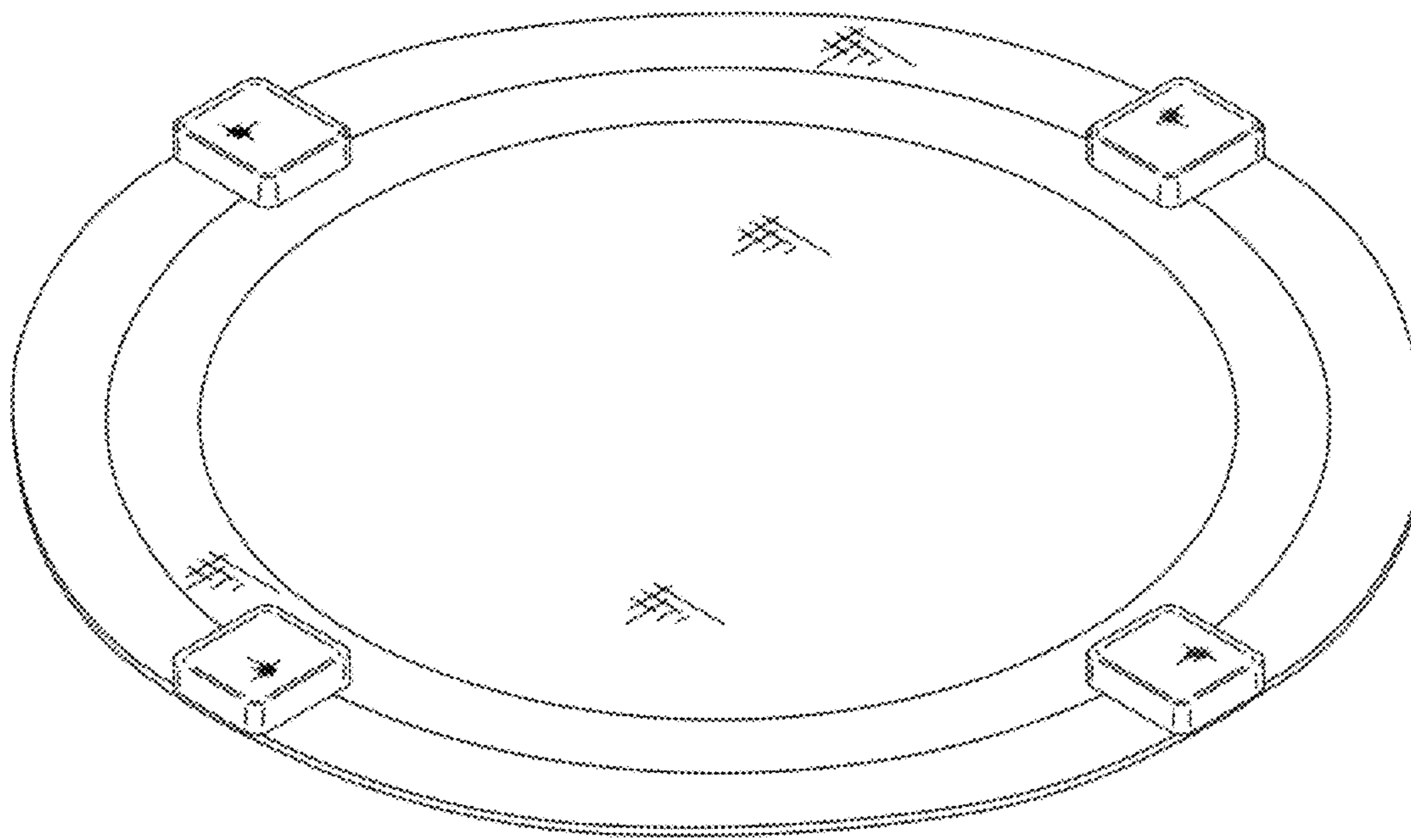
(57) **CLAIM**

The ornamental design for a beach towel, as shown and described.

DESCRIPTION

FIG. 1 is a top plan view of a beach towel showing my new design;
FIG. 2 is a bottom plan view thereof;
FIG. 3 is a right elevation view thereof, all other sides being a mirror image of the shown; and,
FIG. 4 is an isometric view thereof.

1 Claim, 3 Drawing Sheets



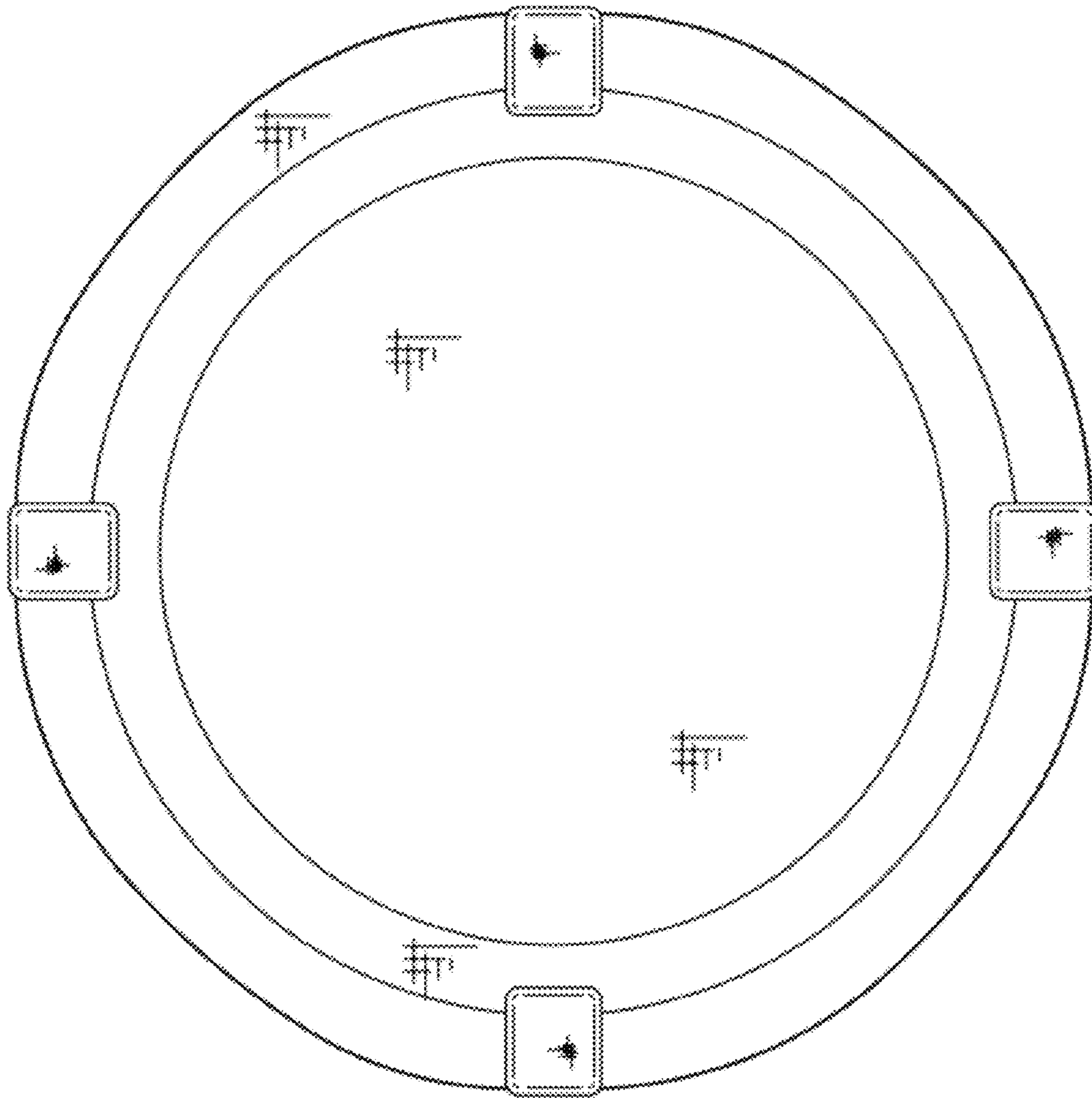


FIG. 1

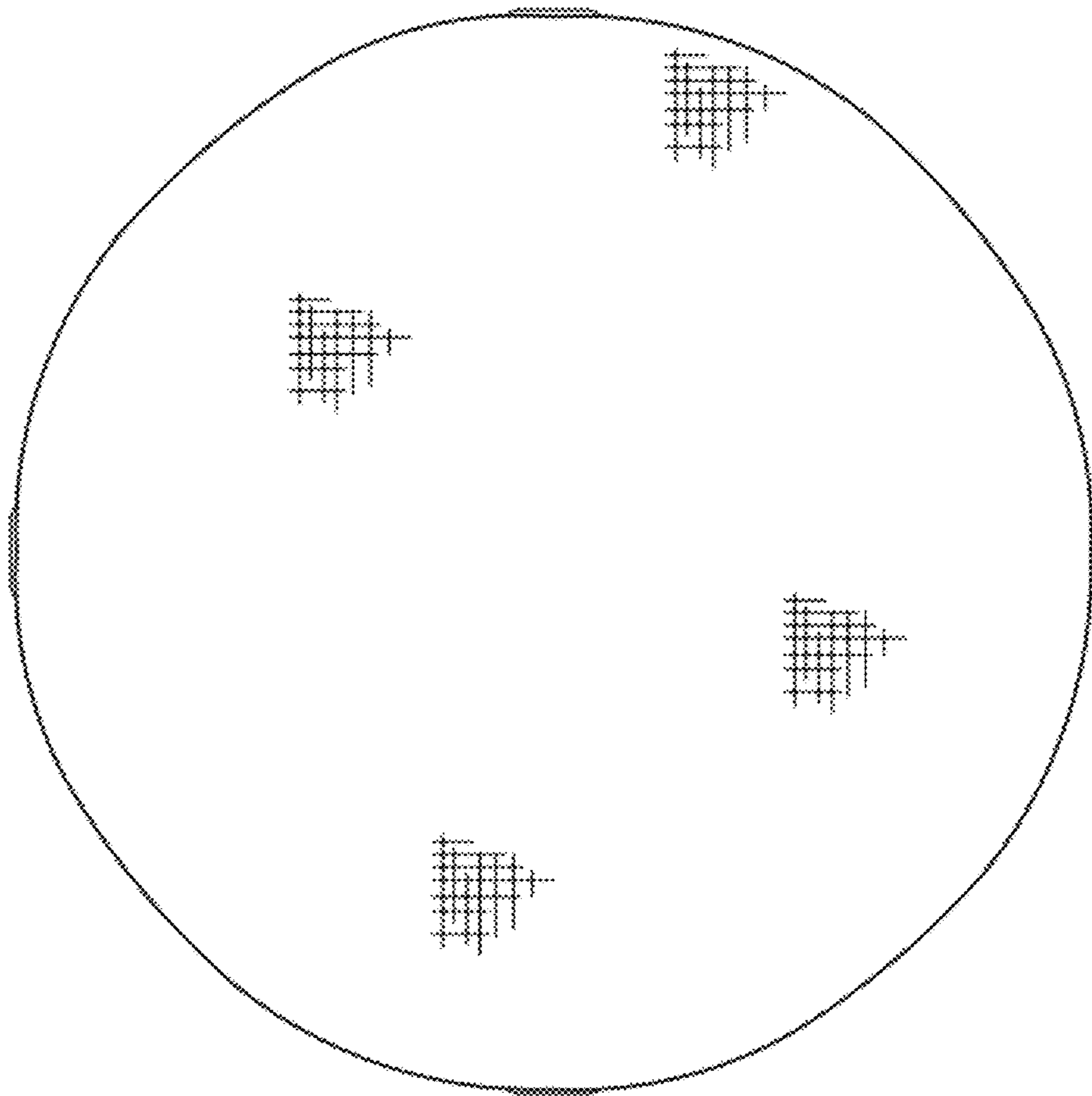


FIG. 2



FIG. 3

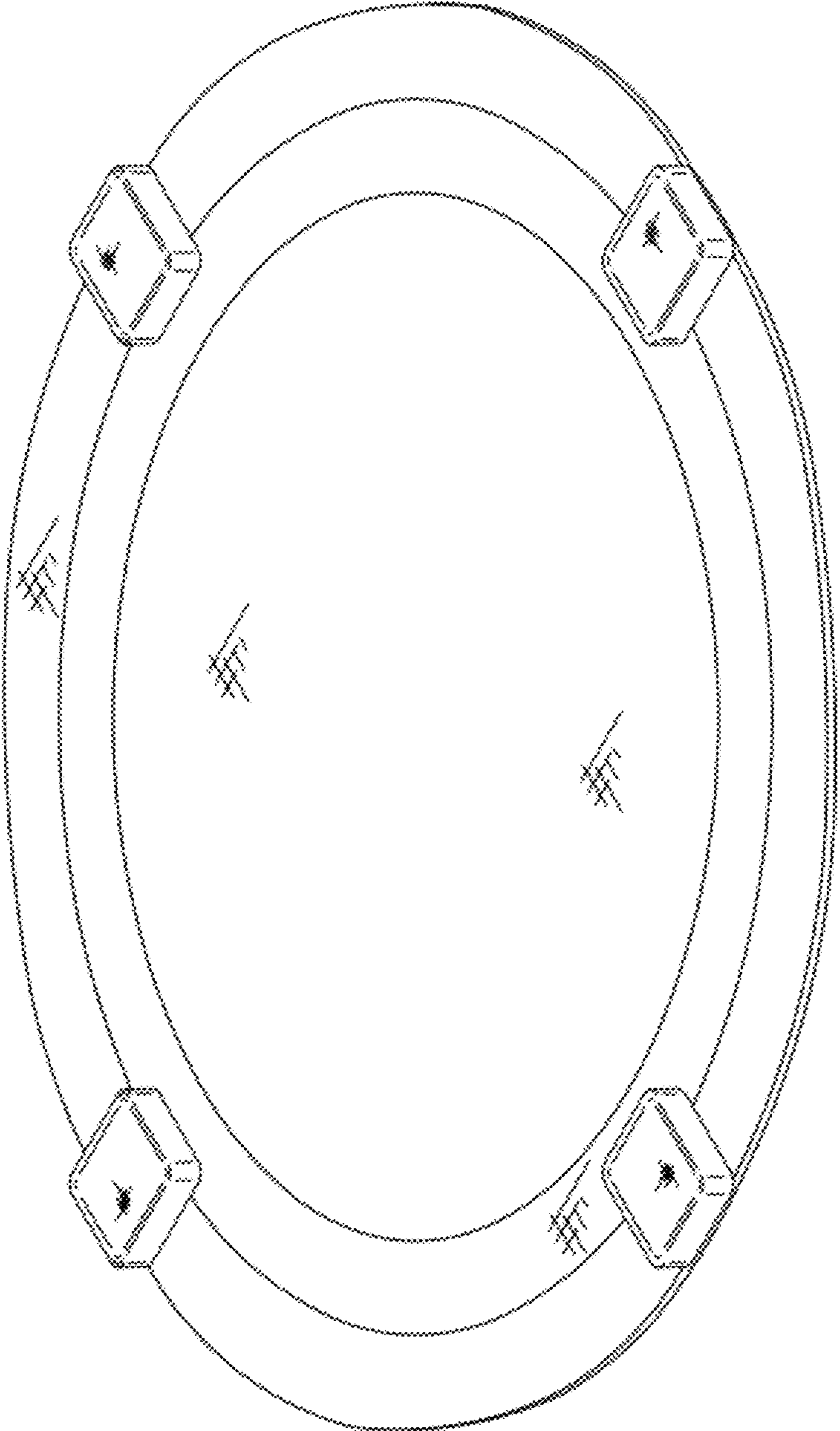


FIG. 4