

US00D665210S

(12) **United States Design Patent**
Hughes

(10) **Patent No.:** **US D665,210 S**

(45) **Date of Patent:** **** Aug. 14, 2012**

- (54) **WORKPIECE SUPPORT PAD**
- (76) Inventor: **David A. Hughes**, Atlanta, GA (US)
- (**) Term: **14 Years**
- (21) Appl. No.: **29/396,614**
- (22) Filed: **Jul. 1, 2011**
- (51) **LOC (9) Cl.** **06-11**
- (52) **U.S. Cl.** **D6/582**
- (58) **Field of Classification Search** D5/1-4,
D5/7, 19, 28, 30, 43, 47, 53, 55-59, 61-63,
D5/99; D6/582, 583, 591, 592, 596, 599,
D6/608, 613, 615, 617, 620, 622; D19/1,
D19/5, 8; D24/124-126; 52/660; 66/169 R;
112/401, 416, 439; 428/32, 37, 39, 66.5,
428/79, 85, 151, 153, 187, 190, 221, 542.6,
428/904

See application file for complete search history.

(56) **References Cited**

U.S. PATENT DOCUMENTS

- D245,268 S * 8/1977 Maresca D25/154
- D251,573 S * 4/1979 Maresca D25/156
- D260,206 S * 8/1981 Molnar D6/596
- D292,357 S * 10/1987 Narain D7/554.3
- D301,530 S * 6/1989 Jonker D6/585

- 5,630,304 A * 5/1997 Austin 52/384
- 5,884,879 A * 3/1999 Gruenenfelder 248/118
- 5,950,378 A * 9/1999 Council et al. 52/177
- 6,050,539 A * 4/2000 Millen 248/678
- D429,106 S * 8/2000 Bortolotto et al. D6/604
- 6,584,739 B2 * 7/2003 Zeif 52/263
- D497,212 S * 10/2004 Poliacek et al. D25/138
- 7,911,067 B2 * 3/2011 Camacho et al. 257/783
- D654,747 S * 2/2012 Deveci D6/582
- 2003/0183741 A1 * 10/2003 Milner 248/679

* cited by examiner

Primary Examiner — Karen S Acker

(74) *Attorney, Agent, or Firm* — E J Asbury III, LLC

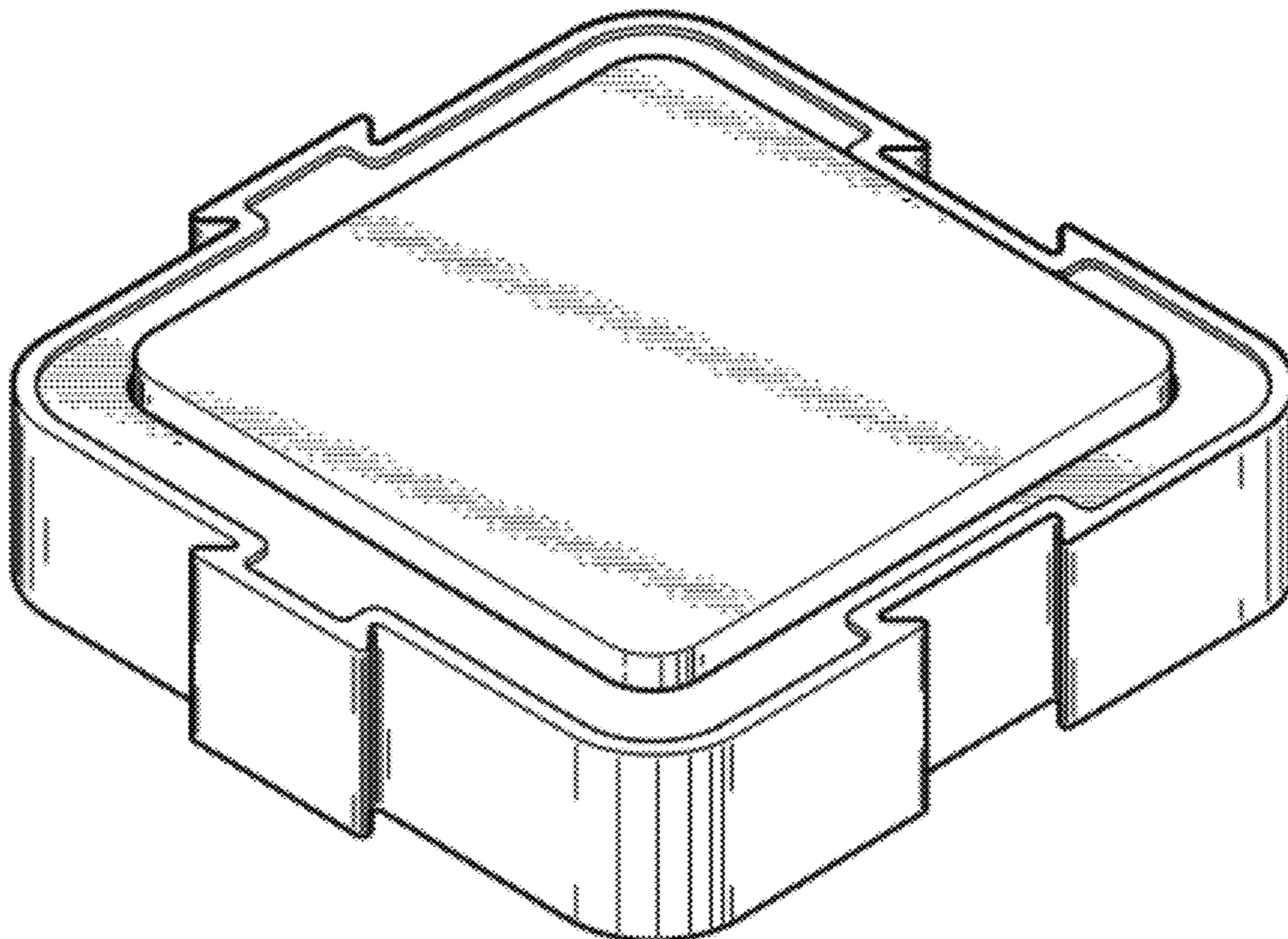
(57) **CLAIM**

The ornamental design for a workpiece support pad, as shown.

DESCRIPTION

FIG. 1 is a perspective view of the workpiece support pad;
 FIG. 2 is a left side view thereof;
 FIG. 3 is a bottom view thereof;
 FIG. 4 is a right side view thereof;
 FIG. 5 is a top view thereof;
 FIG. 6 is a front view thereof; and,
 FIG. 7 is a back view thereof.

1 Claim, 2 Drawing Sheets



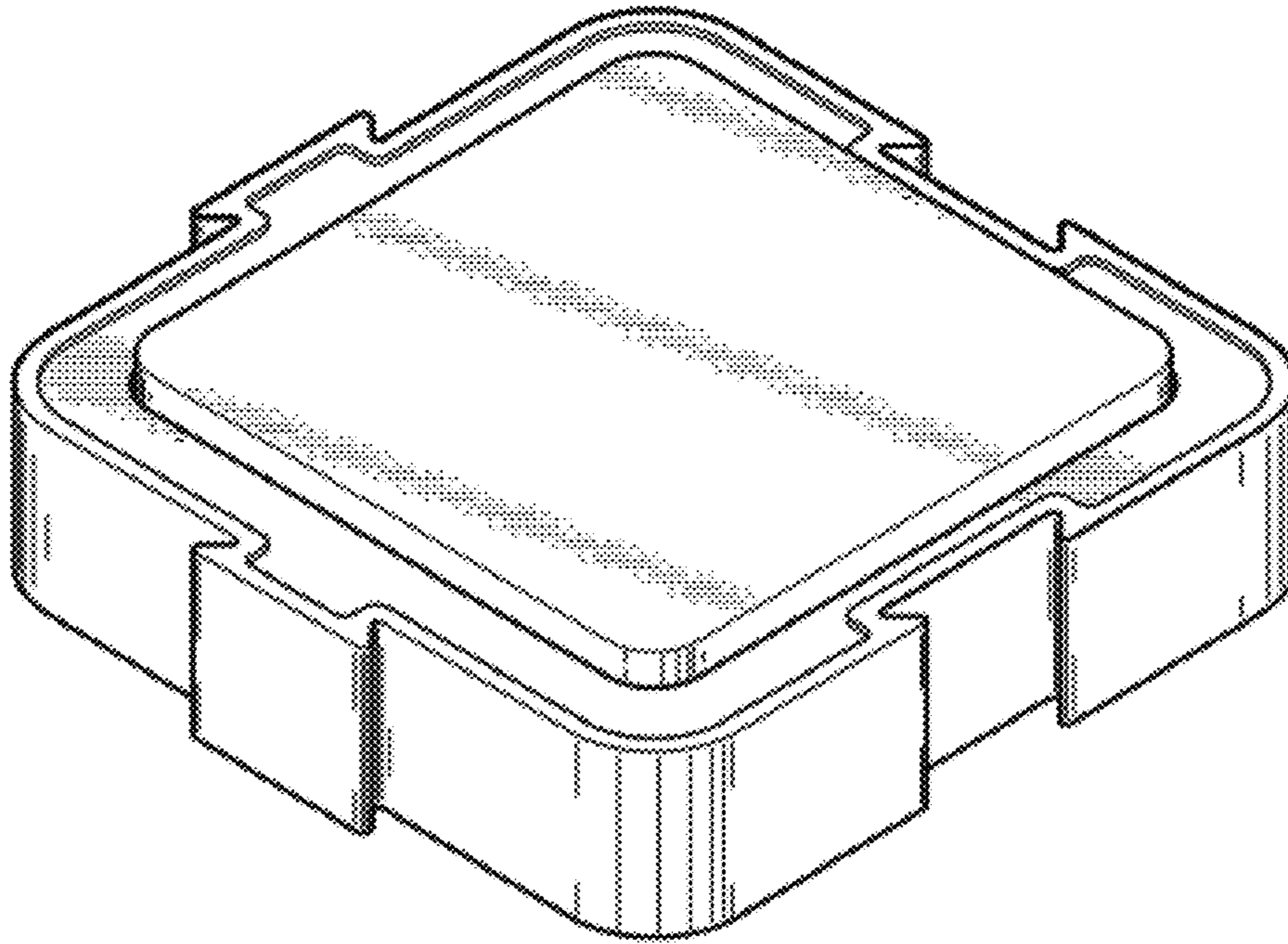


FIG. 1

FIG. 2

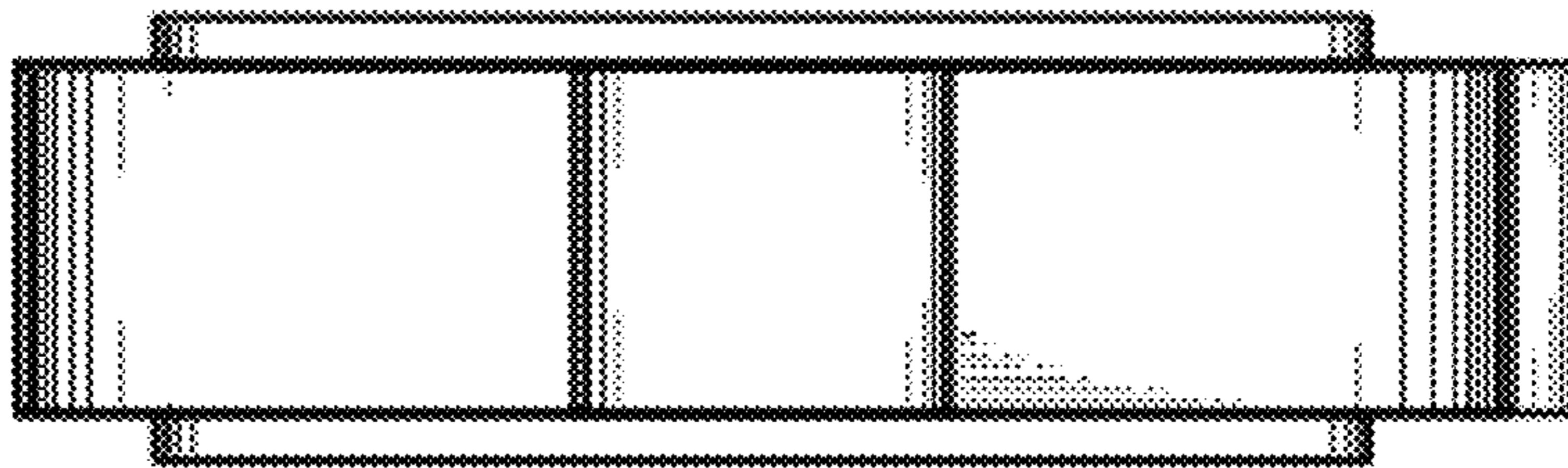


FIG. 3

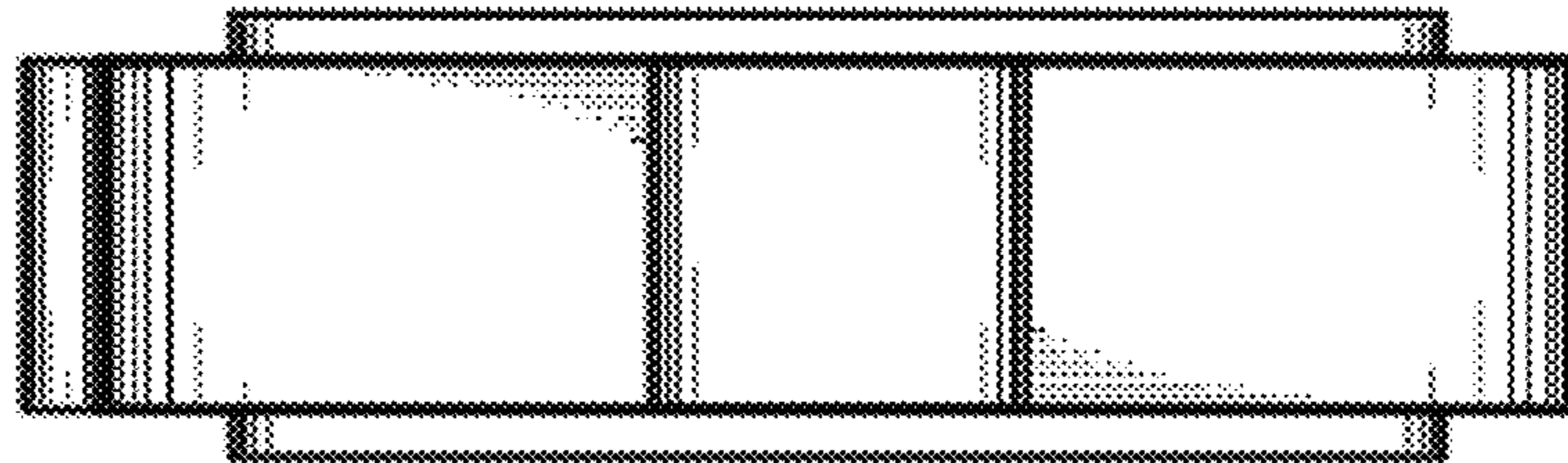


FIG. 4

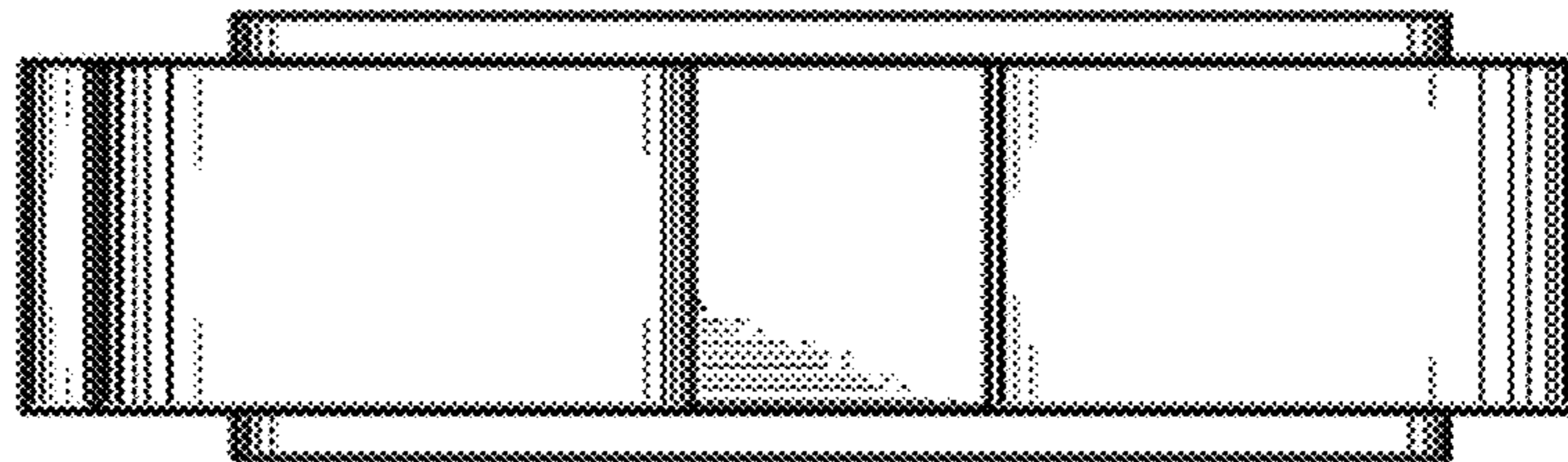


FIG. 5

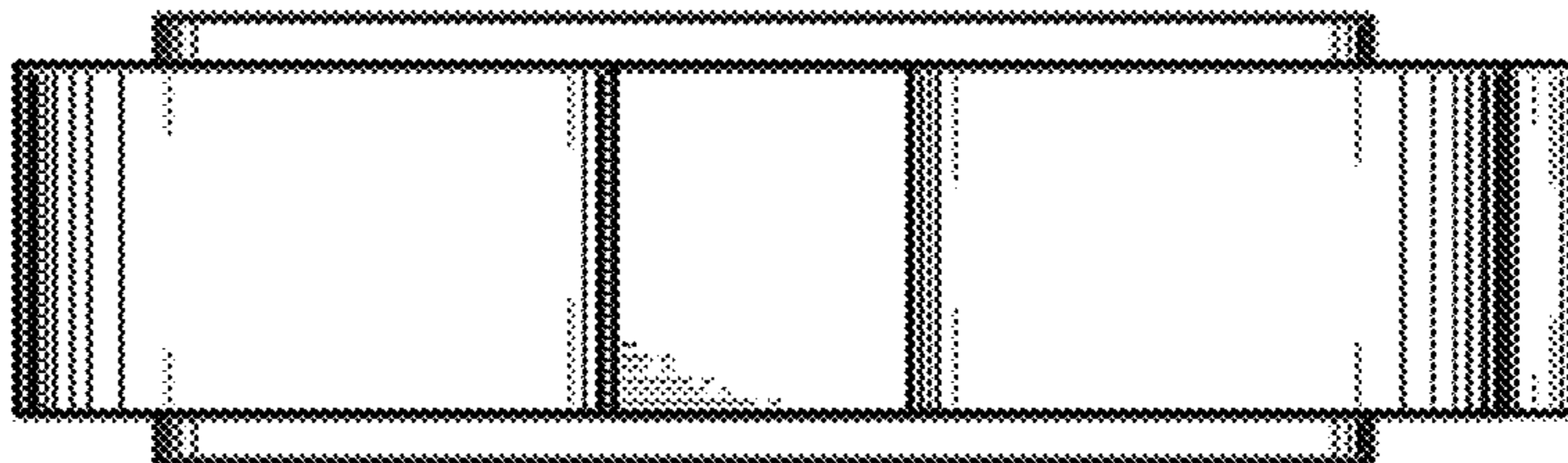


FIG. 6

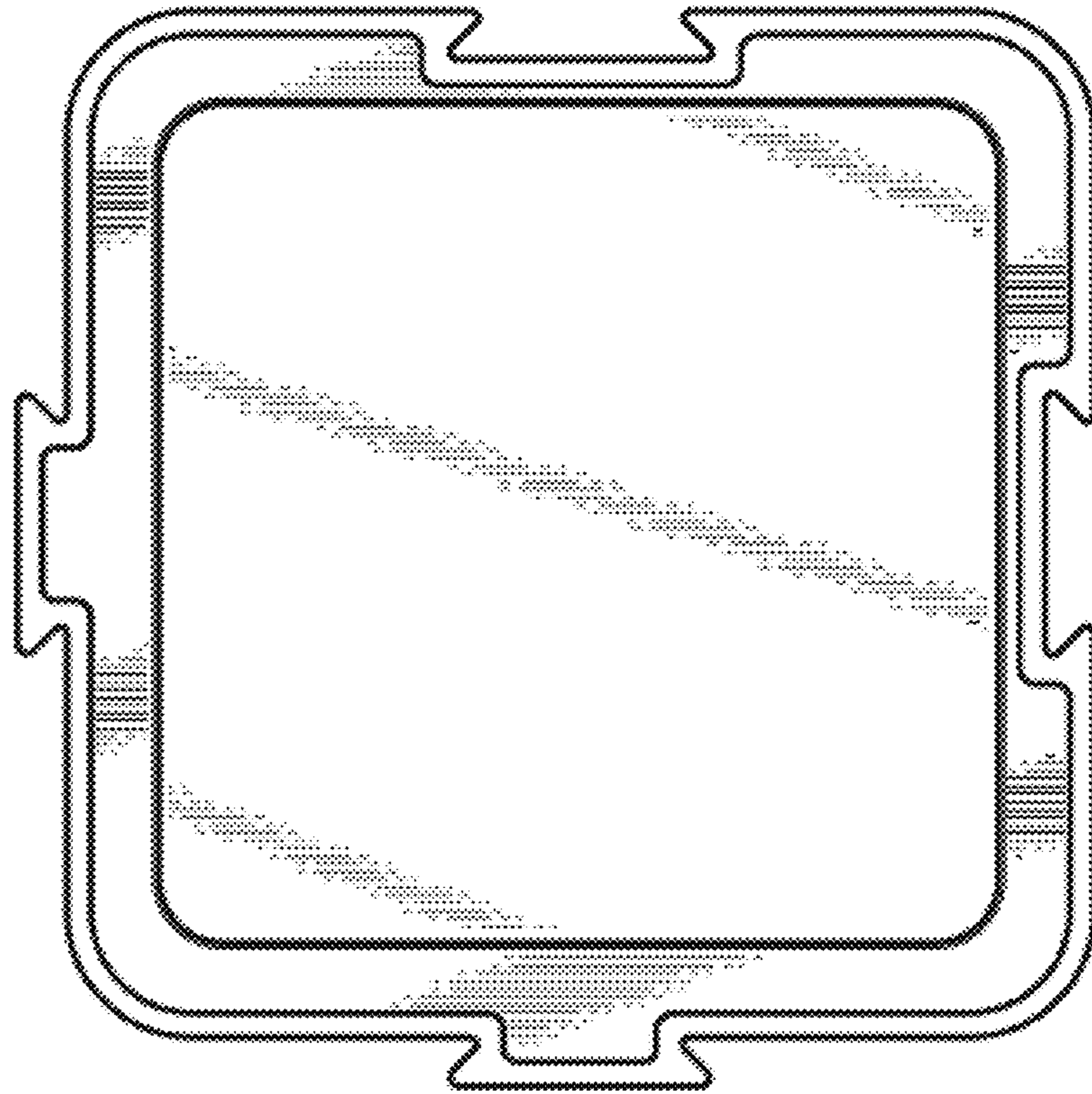


FIG. 7

