



US00D665209S

(12) **United States Design Patent**
Vasquez

(10) **Patent No.:** **US D665,209 S**

(45) **Date of Patent:** **** Aug. 14, 2012**

(54) **DRYER SHEET HOLDER**

(75) Inventor: **Emelia Vasquez**, West Valley City, UT
(US)

(73) Assignee: **EZ Grab LLC**, West Valley City, UT
(US)

(**) Term: **14 Years**

(21) Appl. No.: **29/403,282**

(22) Filed: **Oct. 4, 2011**

(51) **LOC (9) Cl.** **06-04**

(52) **U.S. Cl.** **D6/553**

(58) **Field of Classification Search** D6/515-52,
D6/553, 567; 206/225, 233, 389, 391, 37,
206/38, 235, 251-261, 268; 211/13.1; 222/173,
222/180; 221/26, 33, 282-283, 61; 242/270,
242/590; 248/309.1, 309.2, 905; 225/106;
D3/215, 303, 226-227, 247

See application file for complete search history.

(56) **References Cited**

U.S. PATENT DOCUMENTS

D365,482 S *	12/1995	Larimore	D6/518
D394,571 S *	5/1998	King et al.	D6/518
6,012,572 A *	1/2000	Heathcock et al.	206/233
D460,888 S *	7/2002	Sipinen	D6/518
D477,135 S *	7/2003	Fu	D3/247
D490,633 S *	6/2004	Kondoh et al.	D6/518
D522,583 S *	6/2006	Goserud	D3/227

D525,464 S *	7/2006	Khurana	D6/518
D590,592 S *	4/2009	Wydeven	D3/227
D622,058 S *	8/2010	Wagner, II	D3/226
D648,527 S *	11/2011	Booker	D3/227
D651,831 S *	1/2012	Becherer et al.	D6/518
D655,958 S *	3/2012	Kluck	D6/518

* cited by examiner

Primary Examiner — Brian N Vinson

(74) *Attorney, Agent, or Firm* — Workman Nydegger

(57) **CLAIM**

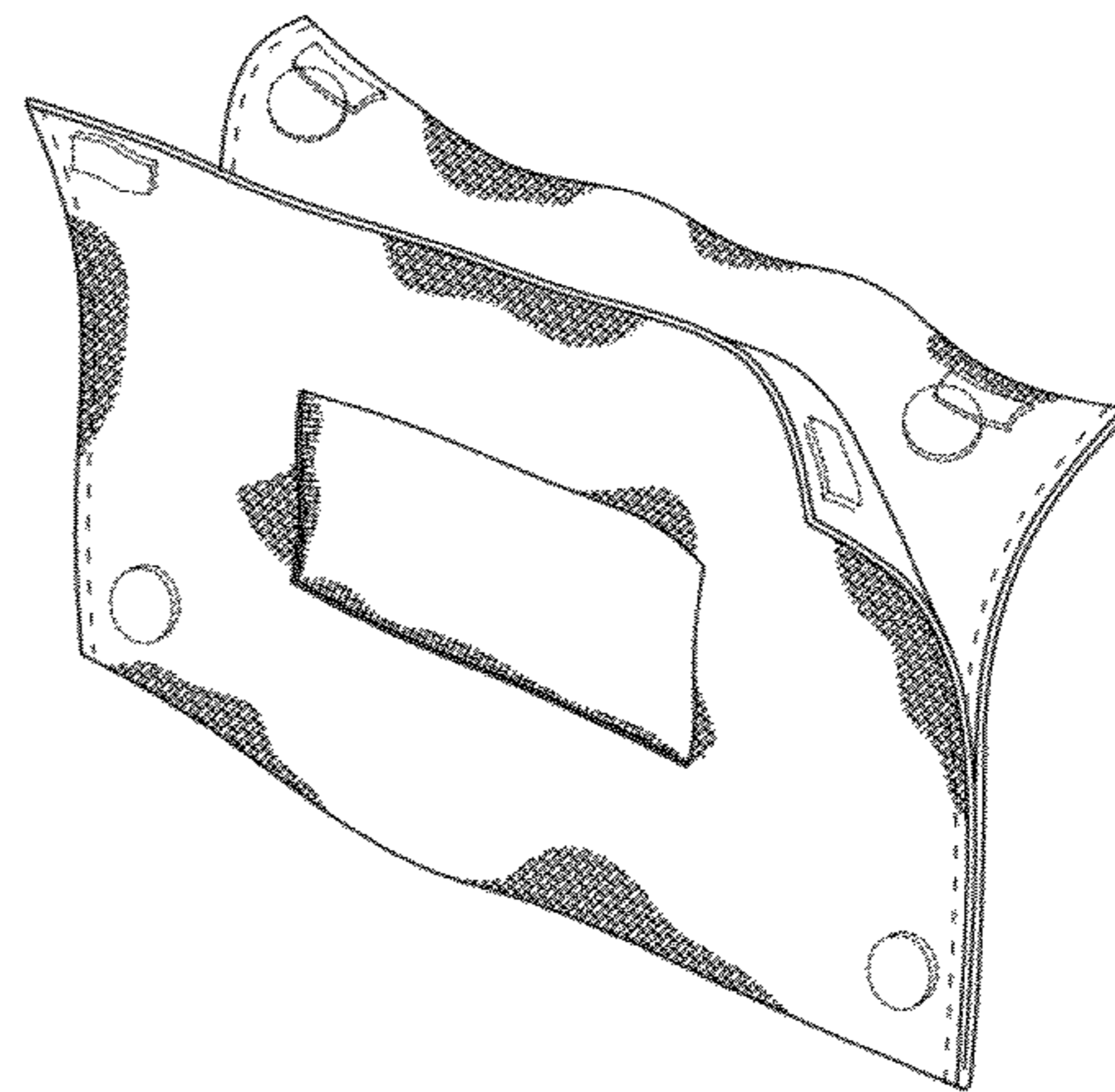
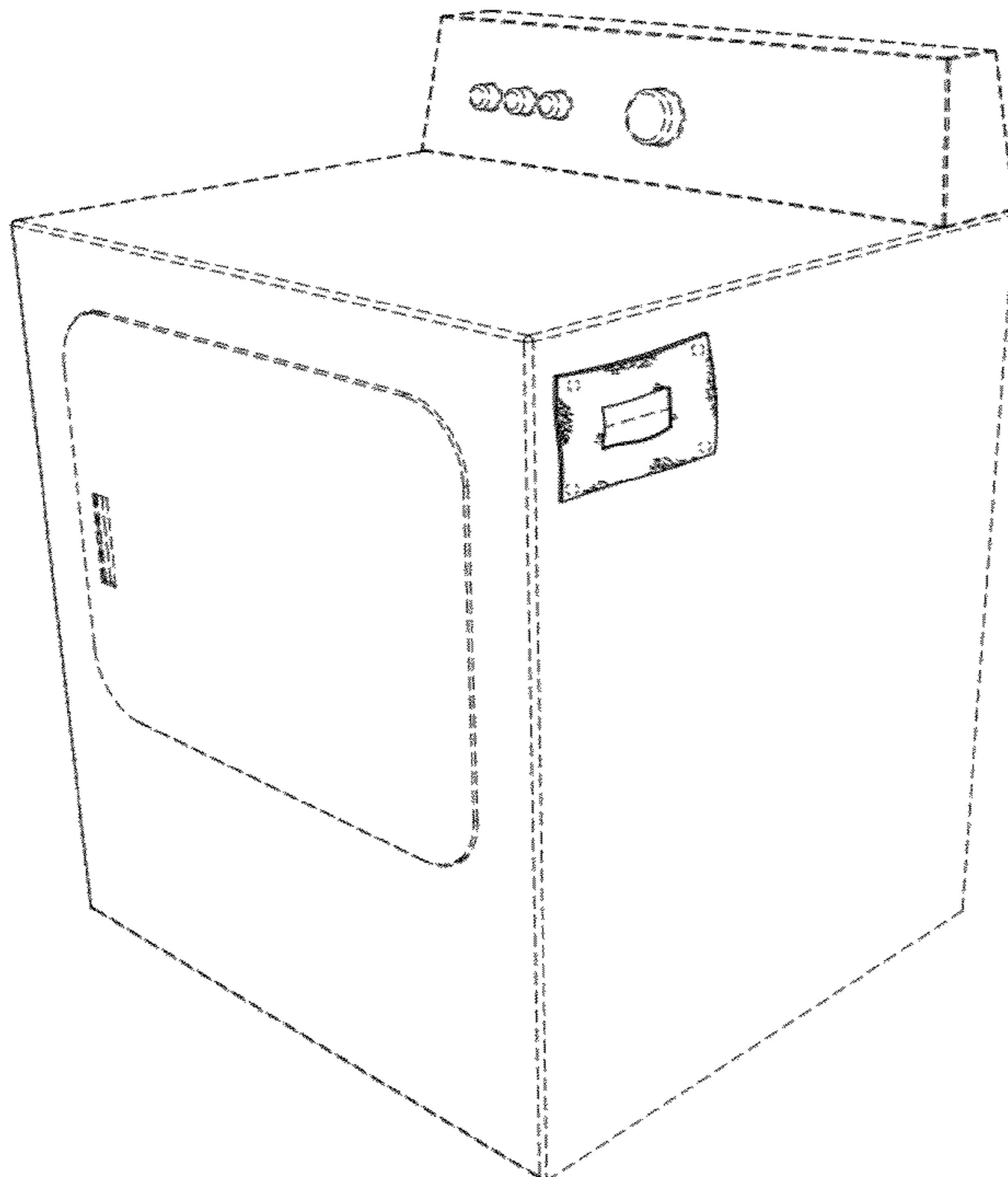
The ornamental design for a dryer sheet holder, as shown and described.

DESCRIPTION

FIG. 1 is a front view of a dryer sheet holder that is attached to the side surface of a dryer and contains dryer sheets; FIG. 2 is a front, right, top perspective view of a dryer sheet holder in an open configuration; FIG. 3 is front, right, bottom perspective view of a dryer sheet holder in a closed configuration; FIG. 4 is a front elevational view thereof; FIG. 5 is a left elevational view thereof; FIG. 6 is a right elevational view thereof; FIG. 7 is a top plan view thereof; and, FIG. 8 is a bottom plan view thereof.

The broken lines showing the fasteners, dryer sheets, and dryer in the drawings are included for illustrative purposes only and form no part of the claimed design.

1 Claim, 3 Drawing Sheets



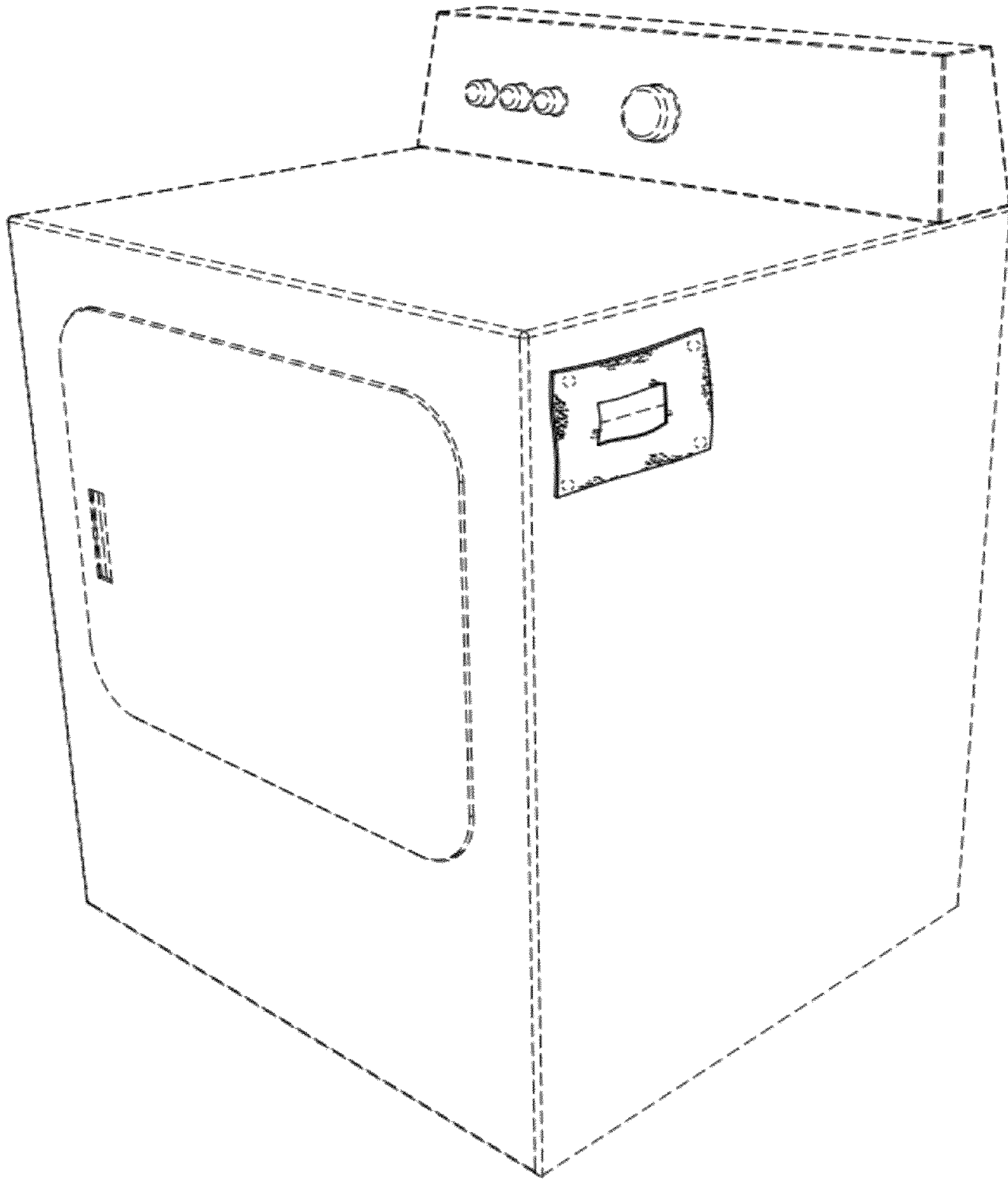


Fig. 1

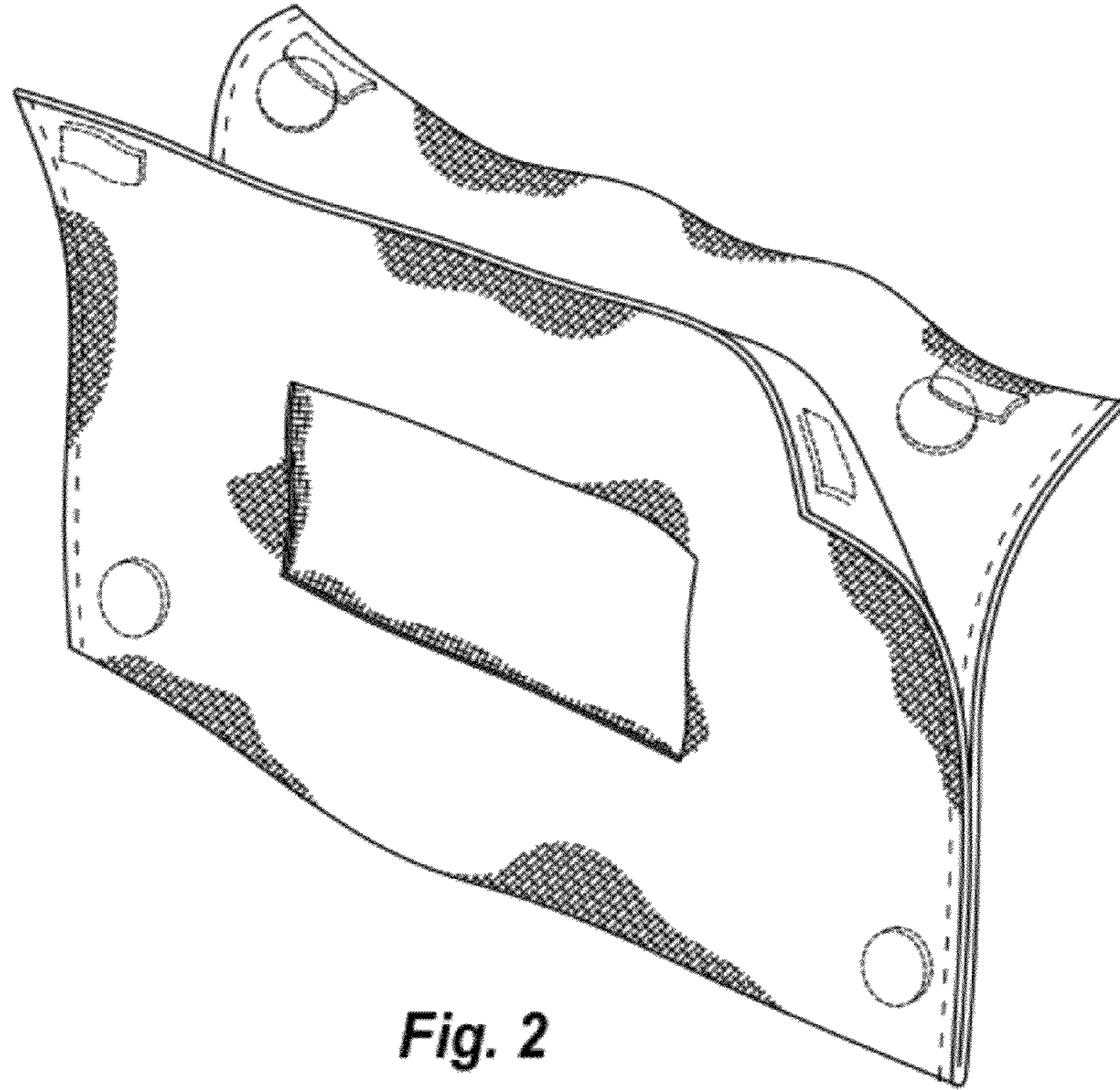


Fig. 2

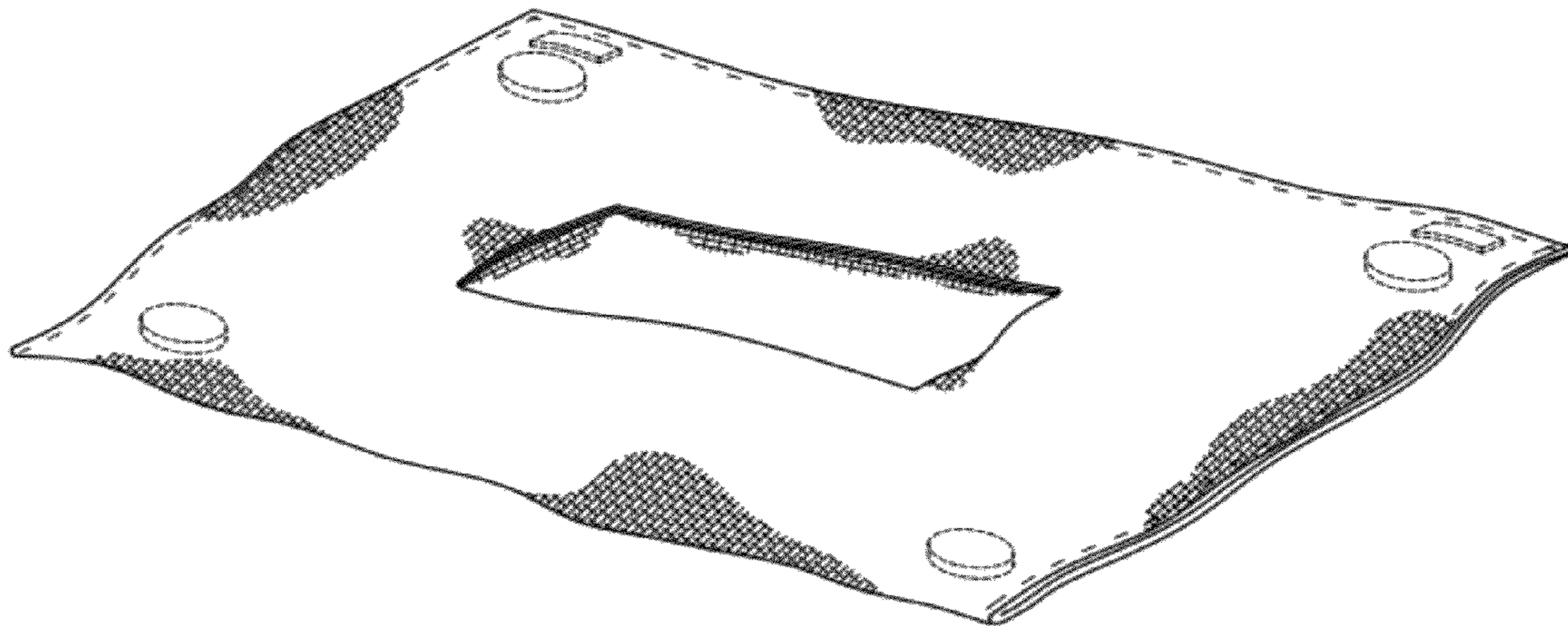


Fig. 3

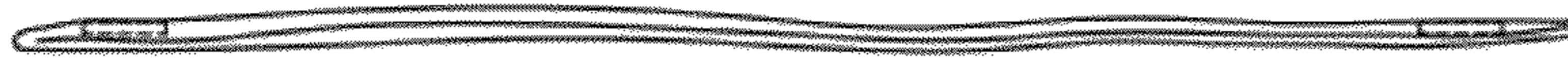


Fig. 7

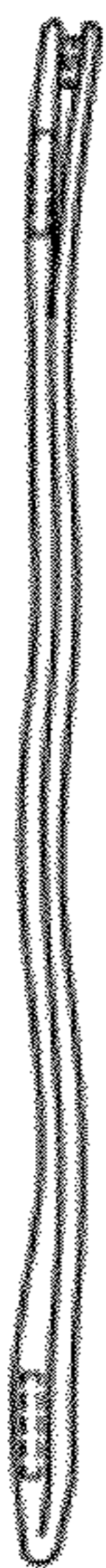


Fig. 5

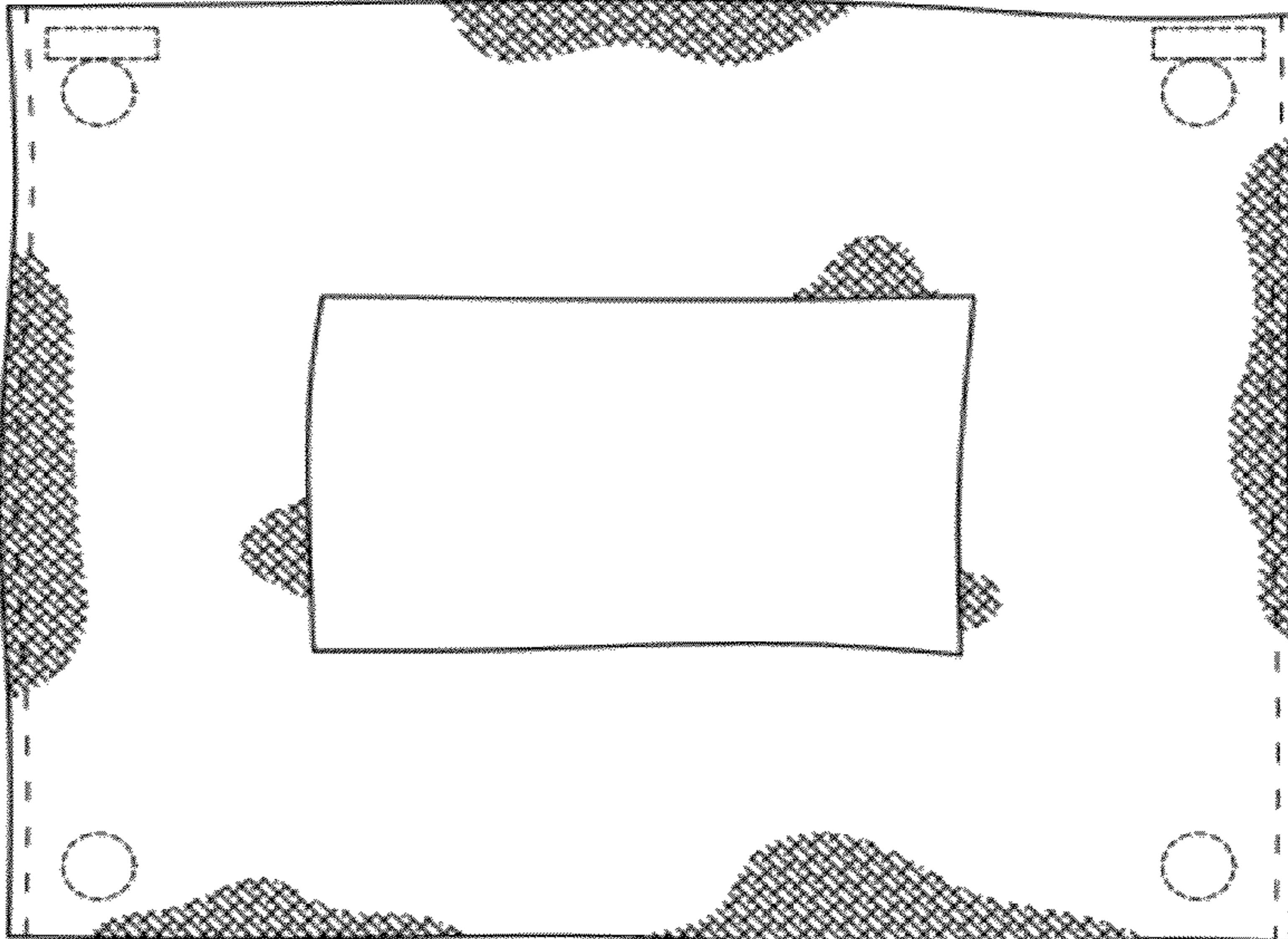


Fig. 4



Fig. 6



Fig. 8