

US00D665207S

(12) **United States Design Patent**  
**Pendleton**

(10) **Patent No.:** **US D665,207 S**

(45) **Date of Patent:** **\*\* Aug. 14, 2012**

(54) **COMBINATION DISPENSER AND  
CONTAINER FOR PET WASTE BAGS**

D624,714 S \* 9/2010 Brochu ..... D30/162  
D649,346 S \* 11/2011 Davidson ..... D3/215  
D651,767 S \* 1/2012 Dias ..... D30/199

\* cited by examiner

(76) Inventor: **Anita G Pendleton**, Colorado Springs,  
CO (US)

*Primary Examiner* — Brian N Vinson

(\*\*) Term: **14 Years**

(74) *Attorney, Agent, or Firm* — Leyendecker and Lemire;  
Kurt Leyendecker

(21) Appl. No.: **29/364,067**

(57) **CLAIM**

The ornamental design for a combination dispenser and con-  
tainer for pet waste bags, as shown and described.

(22) Filed: **Jun. 18, 2010**

**DESCRIPTION**

(51) **LOC (9) Cl.** ..... **20-02**

(52) **U.S. Cl.** ..... **D6/519**; D30/161

(58) **Field of Classification Search** ..... D30/108,  
D30/109, 161; D3/201, 232, 233, 273, 274,  
D3/276, 289, 301, 215, 202, 229; 383/38;  
206/315.9; 119/161-170, 867; D6/515,  
D6/518, 519; 220/475, 28.83, 908; D34/1,  
D34/7

See application file for complete search history.

FIG. 1 is atop, front, and left side perspective view of a  
combination dispenser and container for pet waste bags  
showing my new design;

FIG. 2 is a front elevational view thereof;

FIG. 3 is a rear elevational view thereof;

FIG. 4 is a left side elevational view thereof;

FIG. 5 is a right side elevational view thereof;

FIG. 6 is a top plan view thereof;

FIG. 7 is a bottom plan view thereof; and,

FIG. 8 is a front perspective view thereof showing the hook  
and loop closure partially opened.

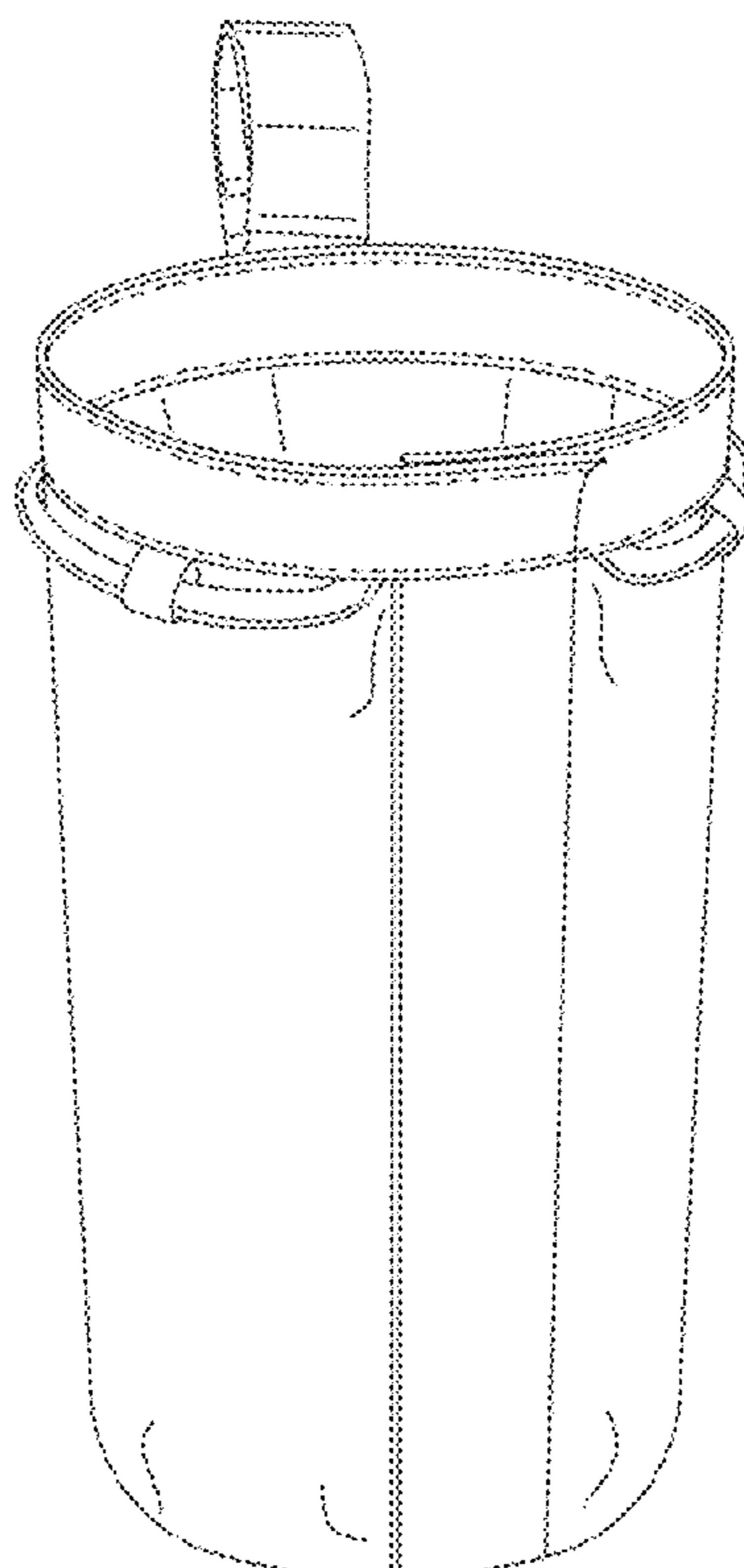
The narrow dashed lines in the views are understood to rep-  
resent conventional stitching, and the broken-line disclosure  
in the views is understood to represent pet waste bags shown  
for illustrative purposes only and forming no part of the  
claimed design.

(56) **References Cited**

U.S. PATENT DOCUMENTS

D279,624 S \* 7/1985 Rich ..... D3/229  
D385,135 S \* 10/1997 Ching ..... D6/515  
6,170,692 B1 \* 1/2001 Johnston ..... 220/475  
D442,754 S \* 5/2001 Gregoire ..... D30/161  
D464,179 S \* 10/2002 Petersen et al. .... D6/518  
D576,433 S \* 9/2008 Che ..... D6/518  
D619,310 S \* 7/2010 Faulkner ..... D30/161

**1 Claim, 8 Drawing Sheets**



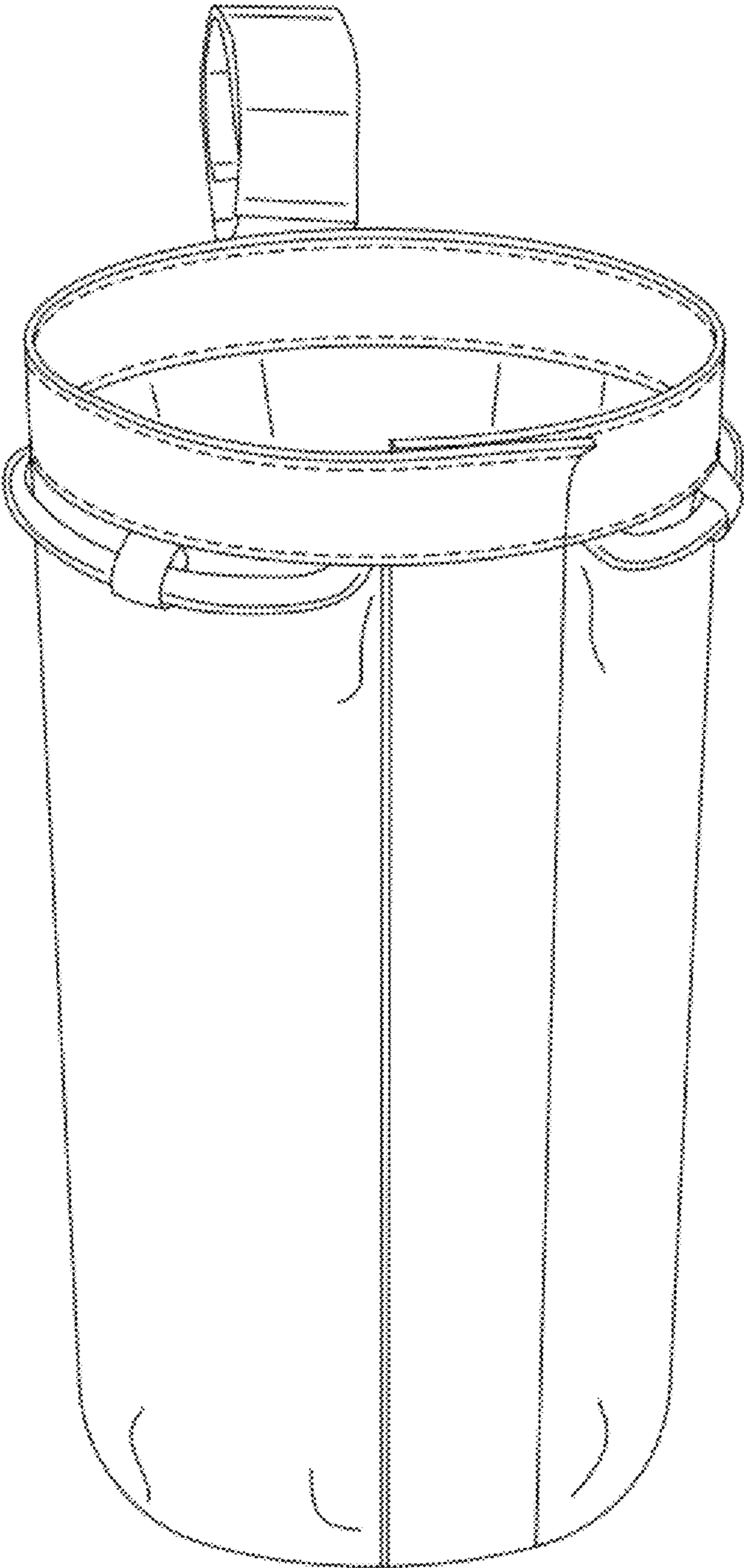


FIG. 1

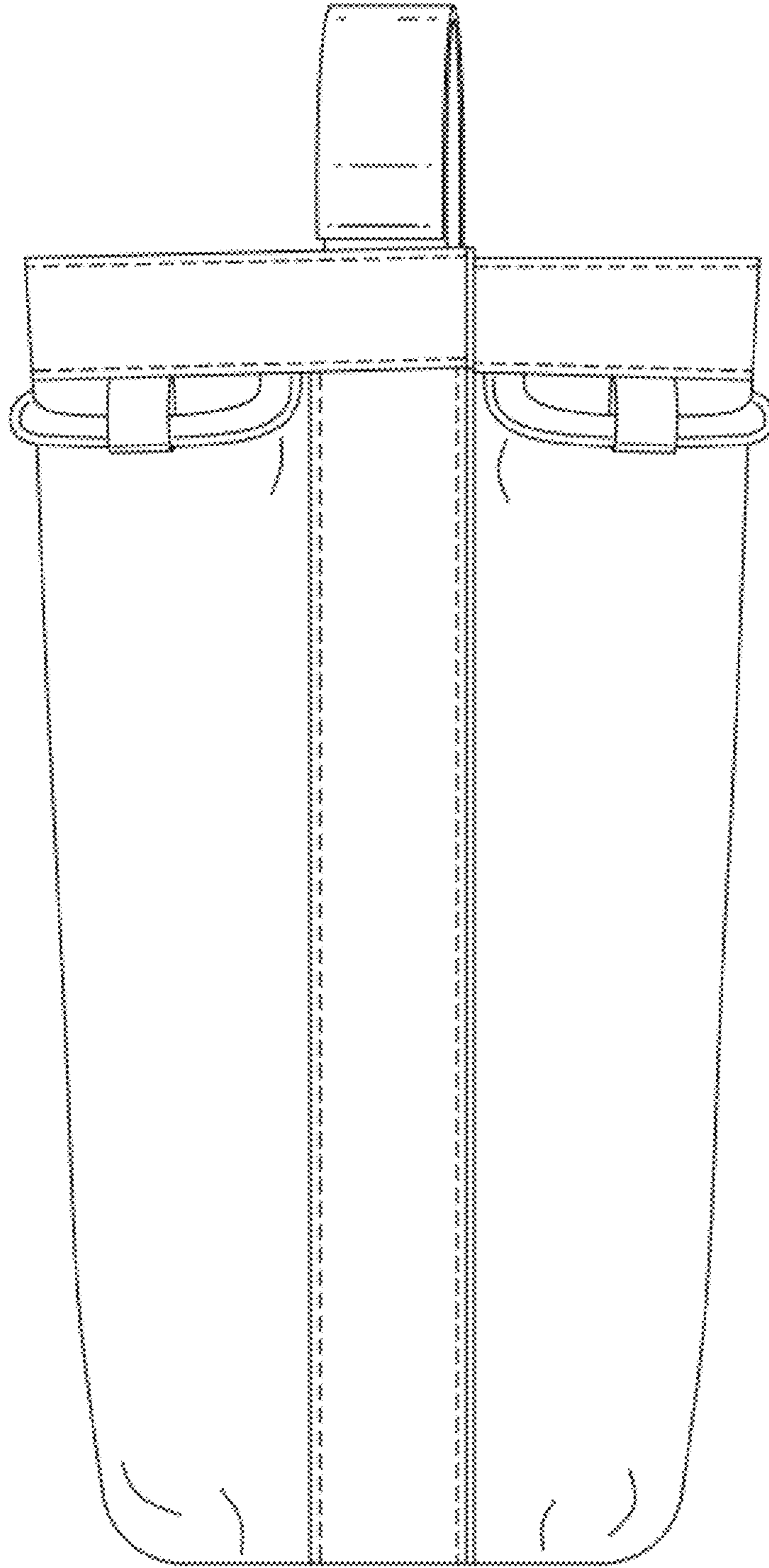


FIG. 2

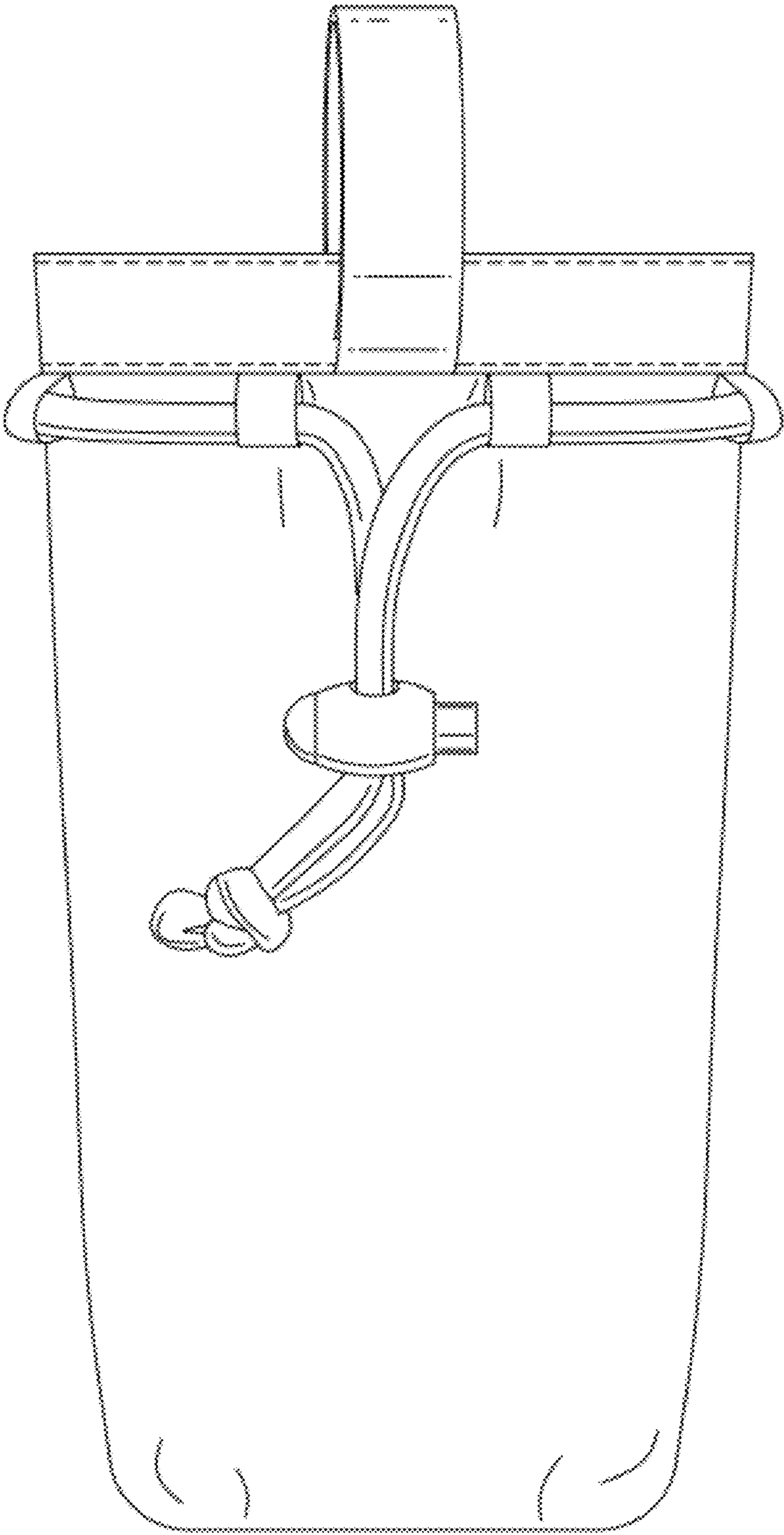


FIG. 3

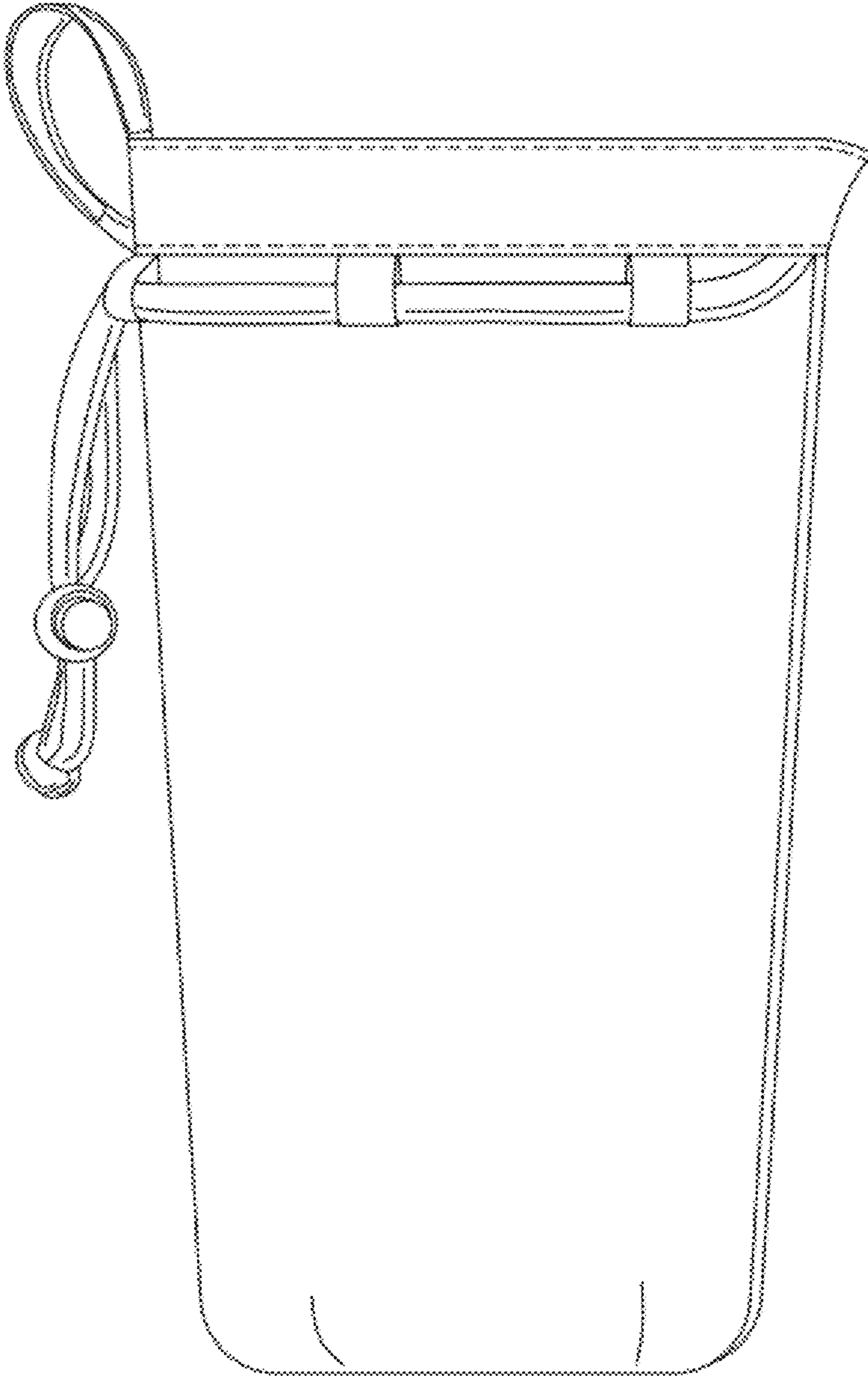


FIG. 4

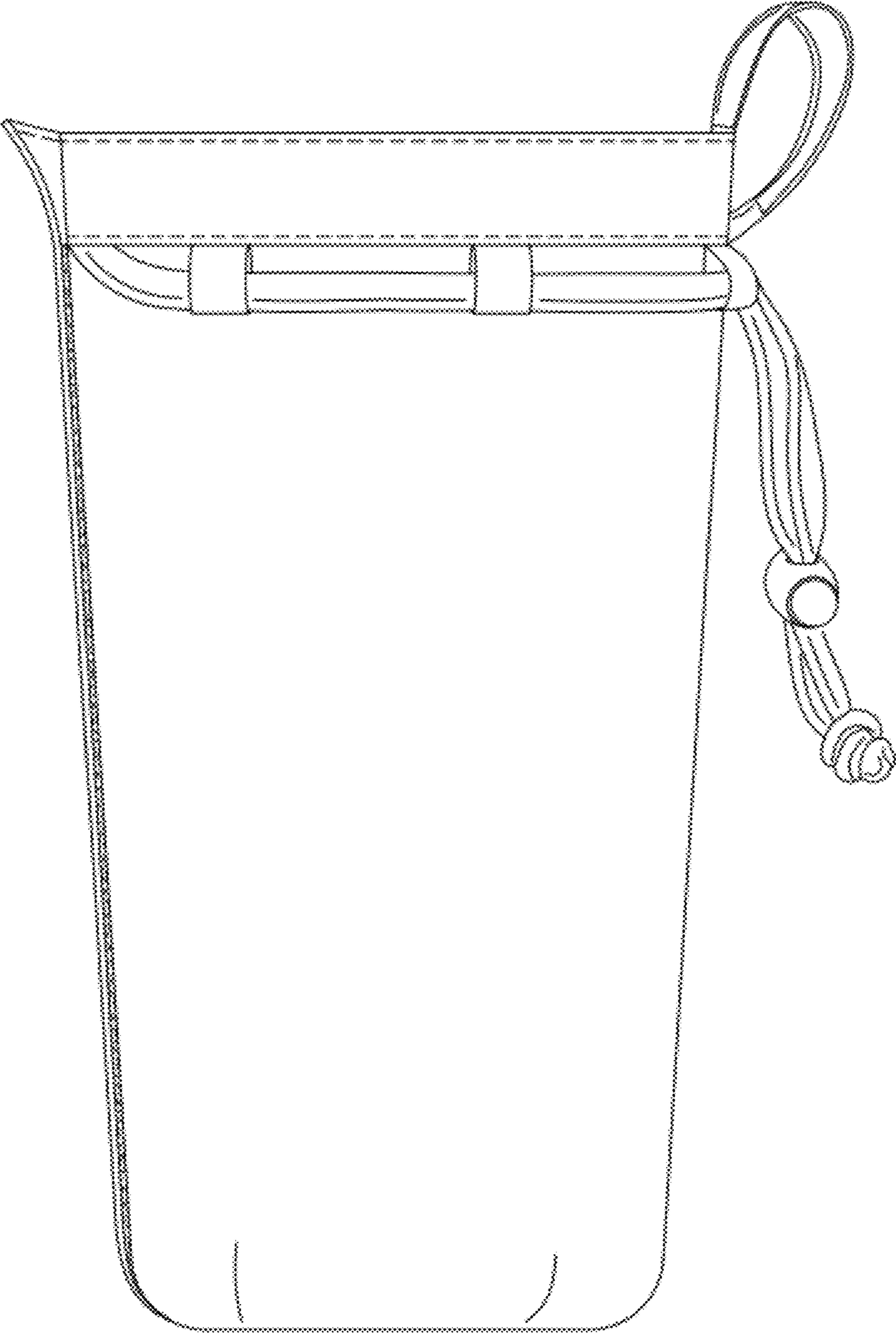


FIG. 5

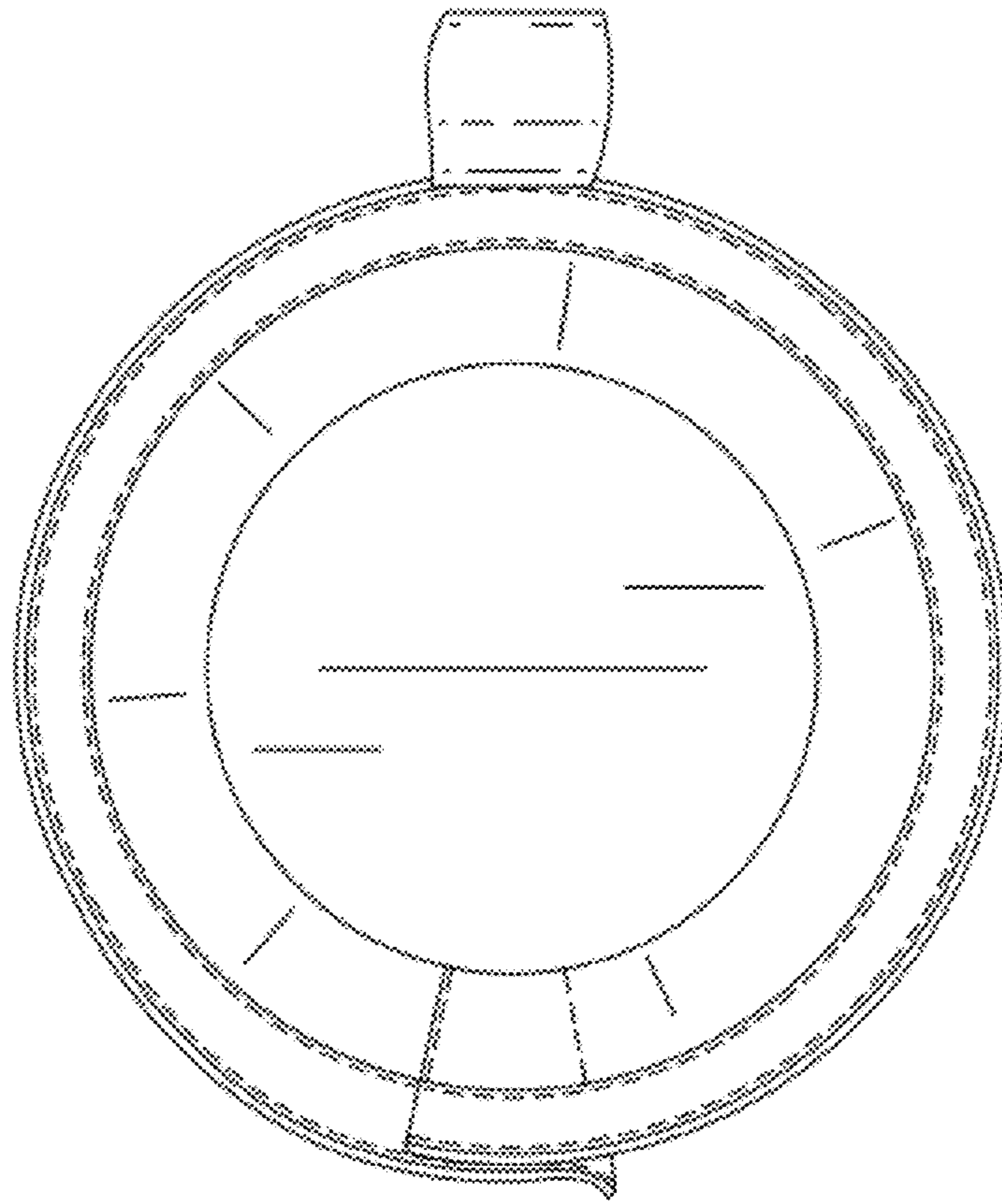


FIG. 6

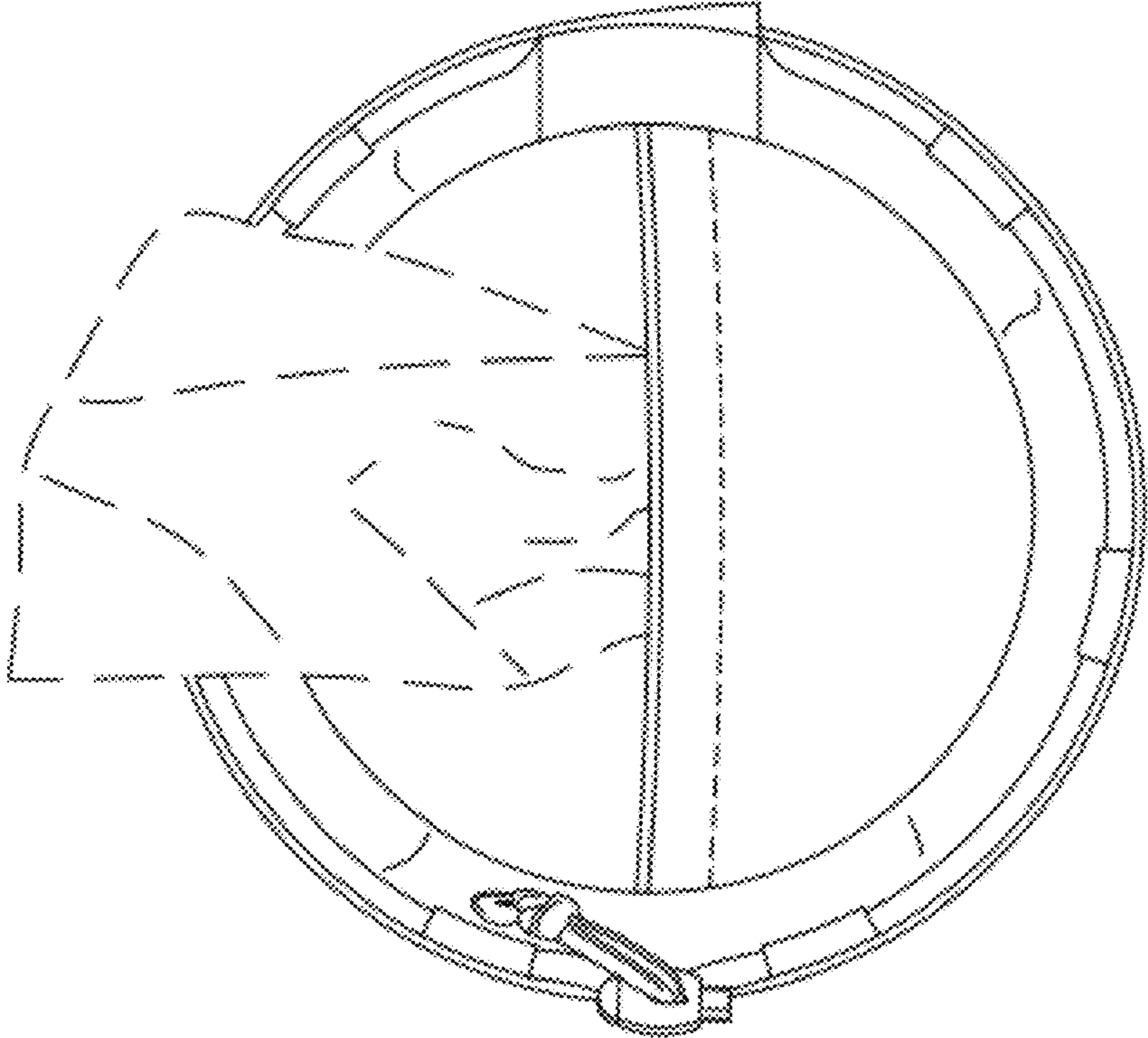


FIG. 7



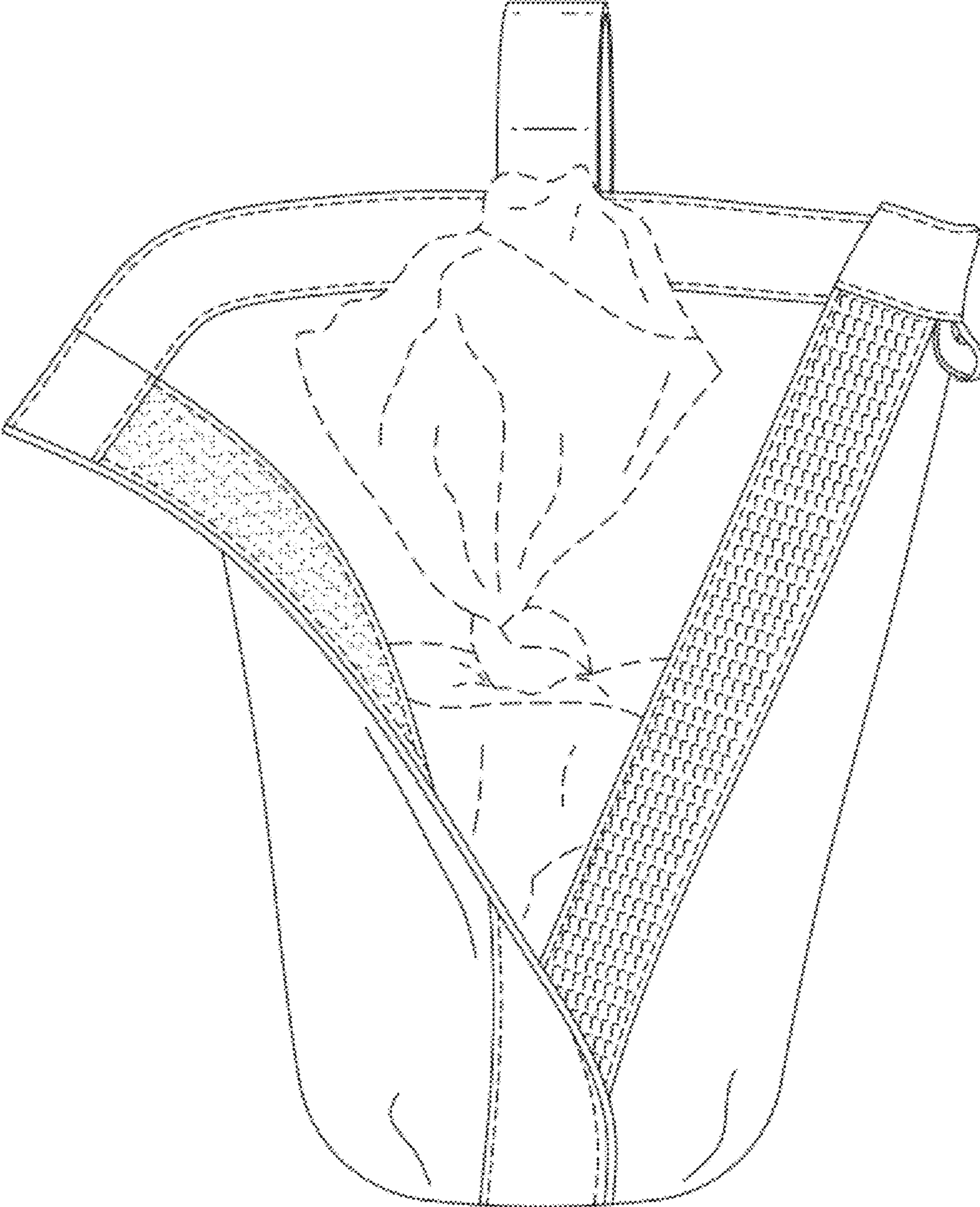


FIG. 8