

US00D665206S

(12) **United States Design Patent**
Beaver

(10) **Patent No.:** **US D665,206 S**

(45) **Date of Patent:** **** Aug. 14, 2012**

(54) **TOWEL DISPENSER**

(75) Inventor: **Aaron Daniel Beaver**, Delavan, WI
(US)

(73) Assignee: **The Colman Group, Inc.**, Elkhorn, WI
(US)

(**) Term: **14 Years**

(21) Appl. No.: **29/404,060**

(22) Filed: **Oct. 14, 2011**

(51) **LOC (9) Cl.** **20-02**

(52) **U.S. Cl.** **D6/518**

(58) **Field of Classification Search** D6/515-523;
206/225, 233, 389, 391; 211/13.1, 45; 242/570,
242/590; 248/309.1, 309.2, 905; 221/26,
221/33, 282-283; 222/173, 180
See application file for complete search history.

(56) **References Cited**

U.S. PATENT DOCUMENTS

D373,276 S * 9/1996 Omdoll et al. D6/520
D436,774 S * 1/2001 Engelstein et al. D6/522
D457,766 S * 5/2002 Omdoll et al. D6/523

D458,490 S * 6/2002 Omdoll et al. D6/523
D605,444 S * 12/2009 Marietta-Tondin D6/523
D620,733 S * 8/2010 Denis et al. D6/518

* cited by examiner

Primary Examiner — Brian N Vinson

(74) *Attorney, Agent, or Firm* — Boyle Fredrickson, S.C.

(57) **CLAIM**

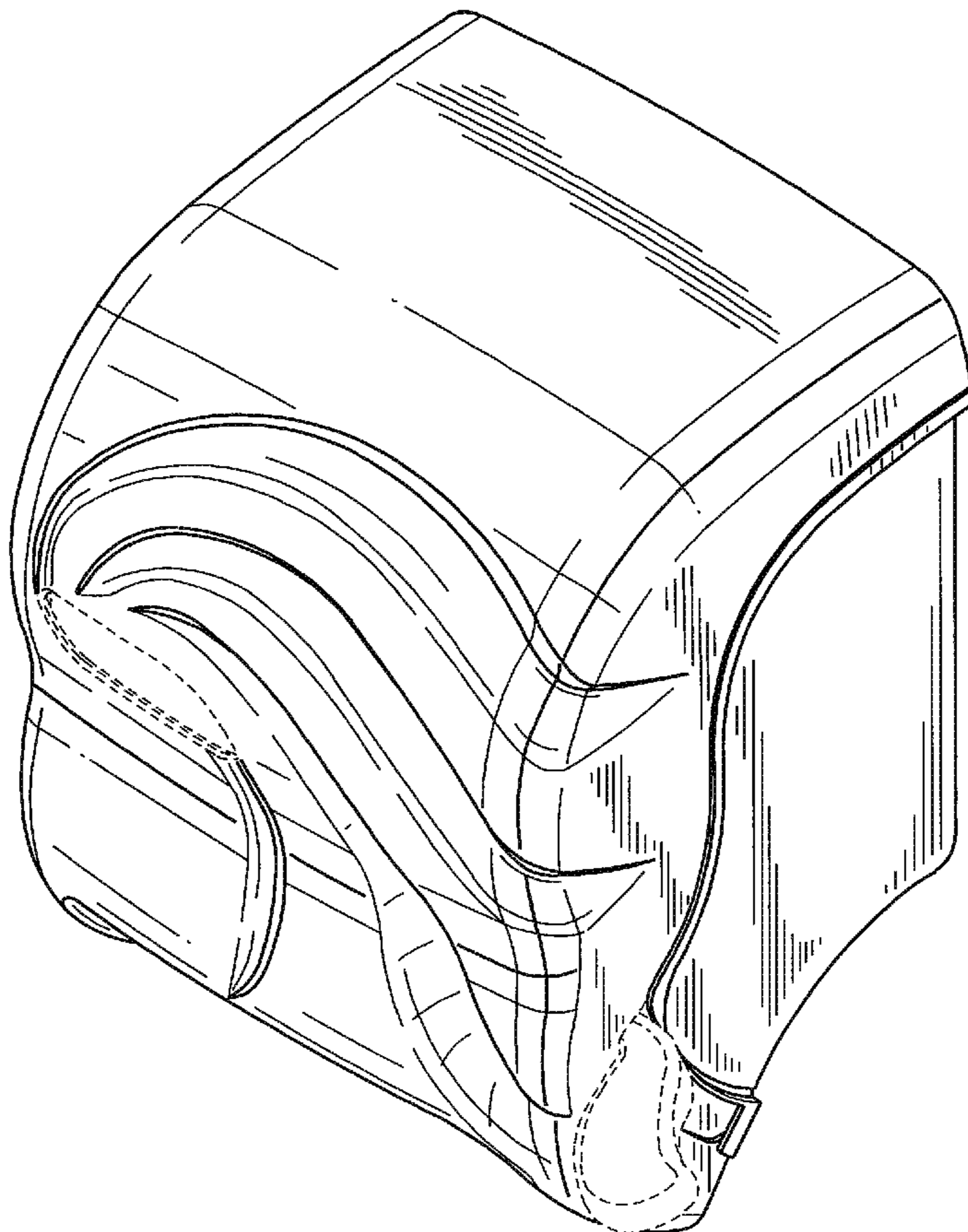
The ornamental design for a towel dispenser, as shown and described.

DESCRIPTION

FIG. 1 is a top, front, and right side perspective view of a towel dispenser our new design;
FIG. 2 is a front elevational view thereof;
FIG. 3 is a right side elevational view thereof;
FIG. 4 is a left side elevational view thereof;
FIG. 5 is a top plan view thereof;
FIG. 6 is a bottom plan view thereof; and,
FIG. 7 is a rear elevational view thereof.

The broken-line disclosure in the views is understood to represent a portion of the article in which the claimed design is embodied, but which forms no part of the claimed design.

1 Claim, 7 Drawing Sheets



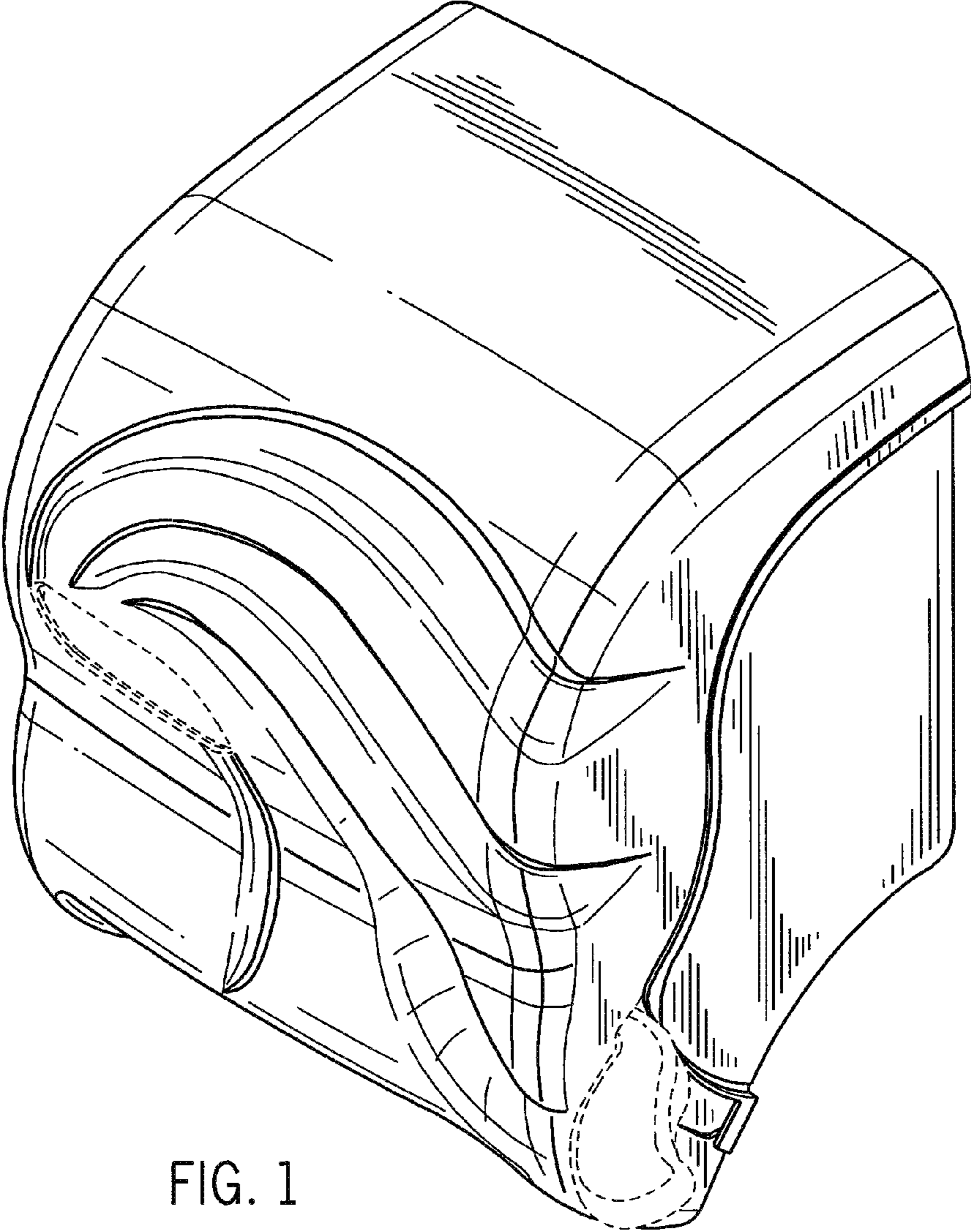


FIG. 1

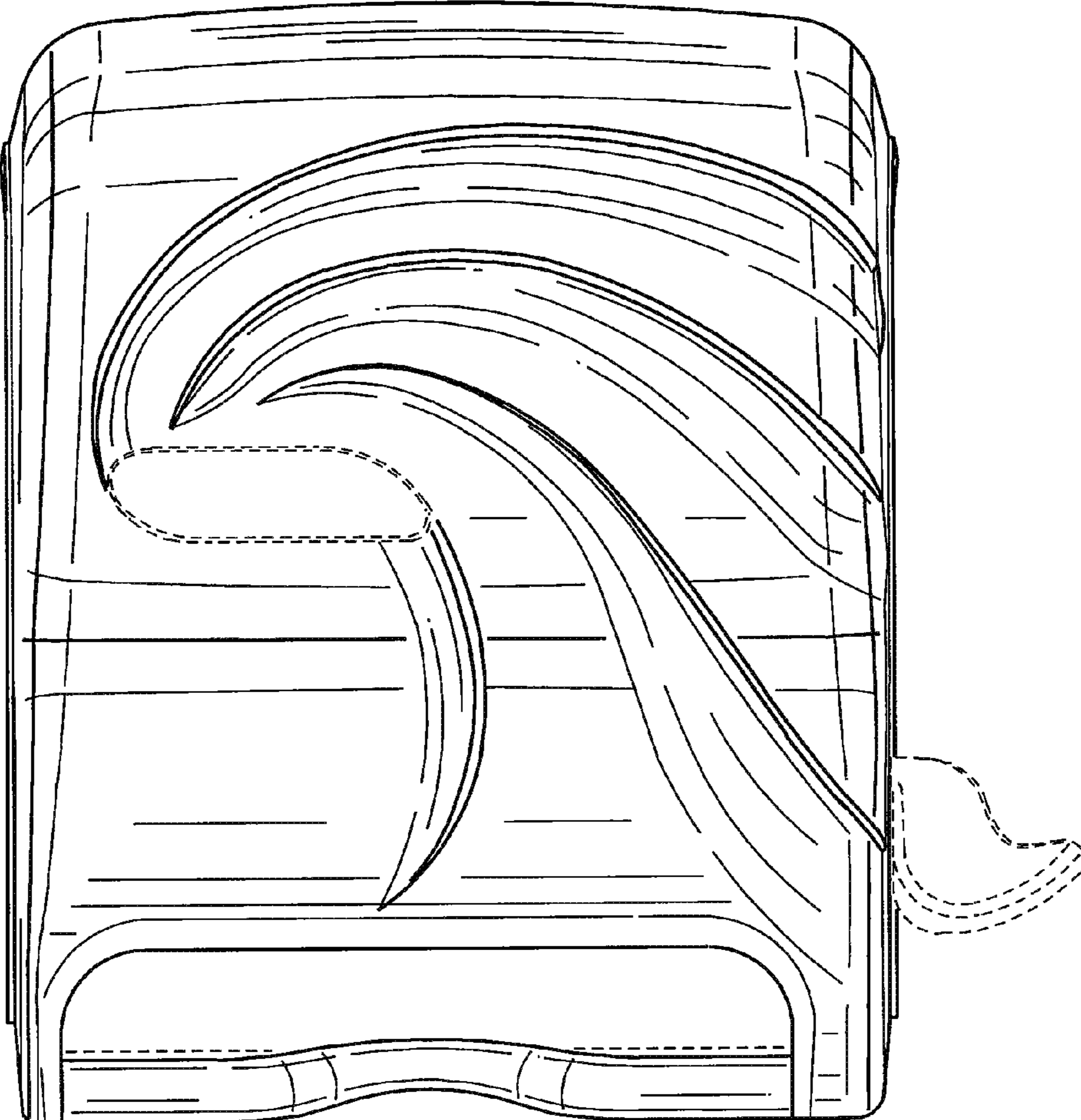


FIG. 2

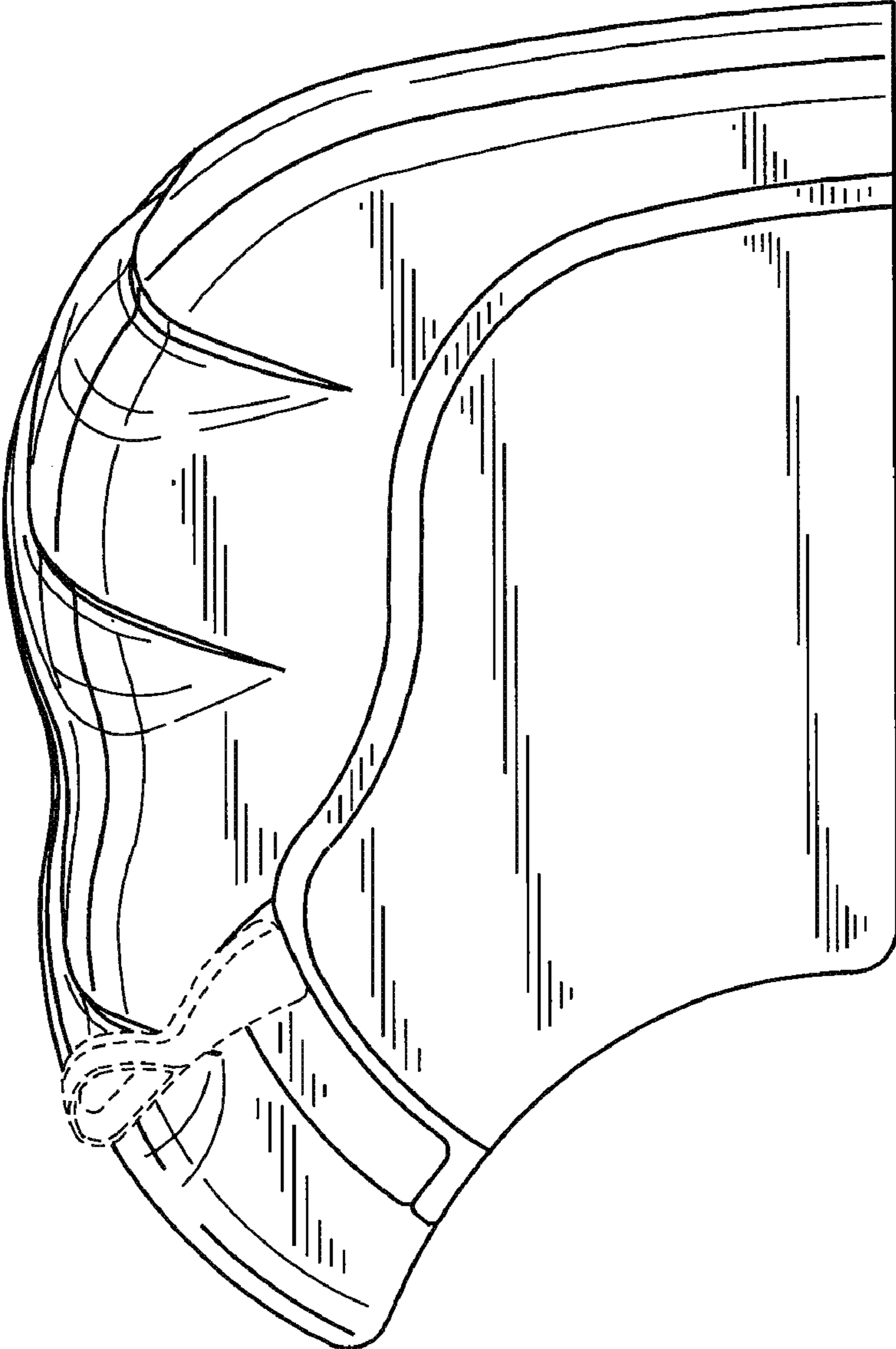


FIG. 3

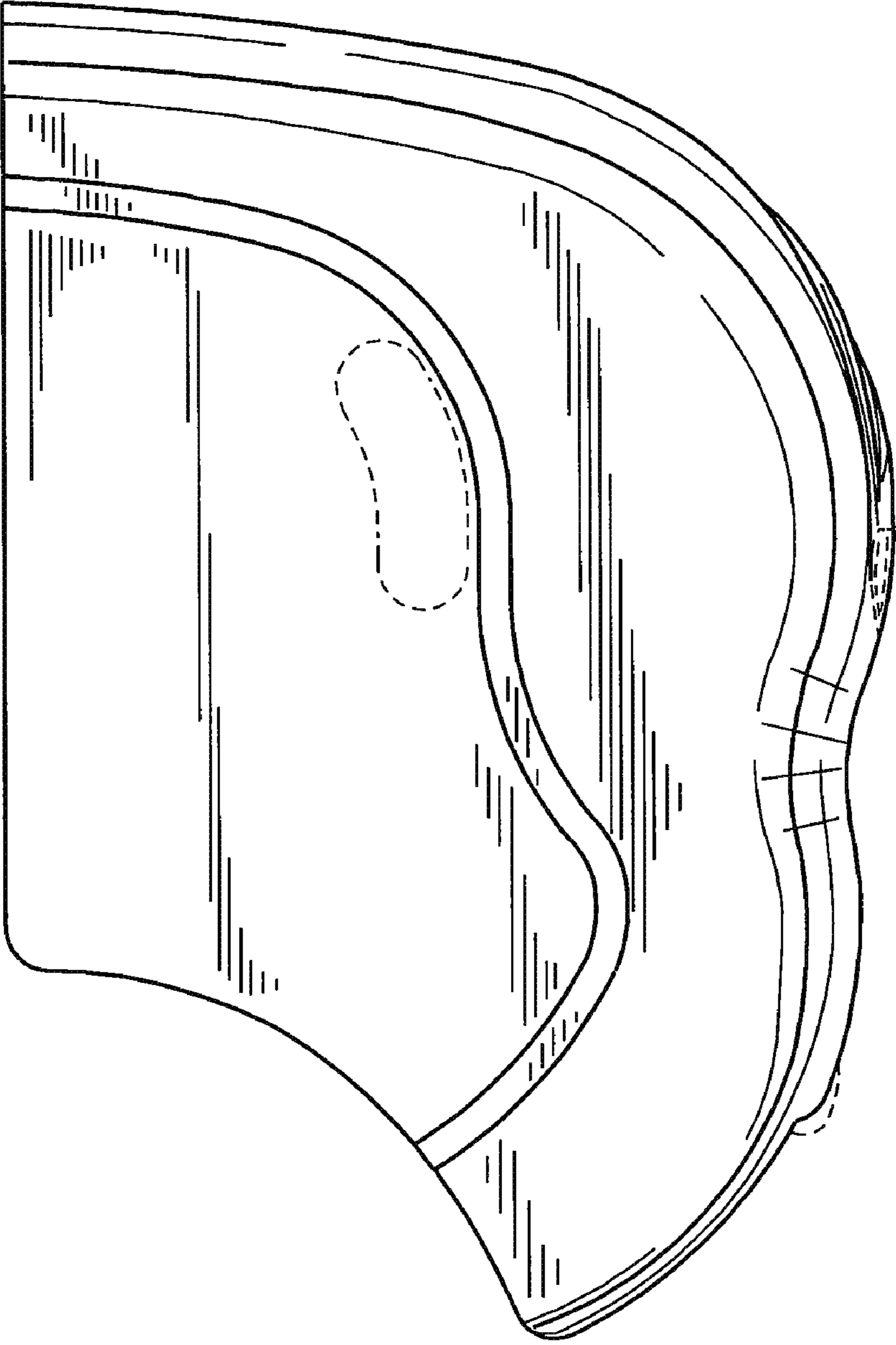


FIG. 4

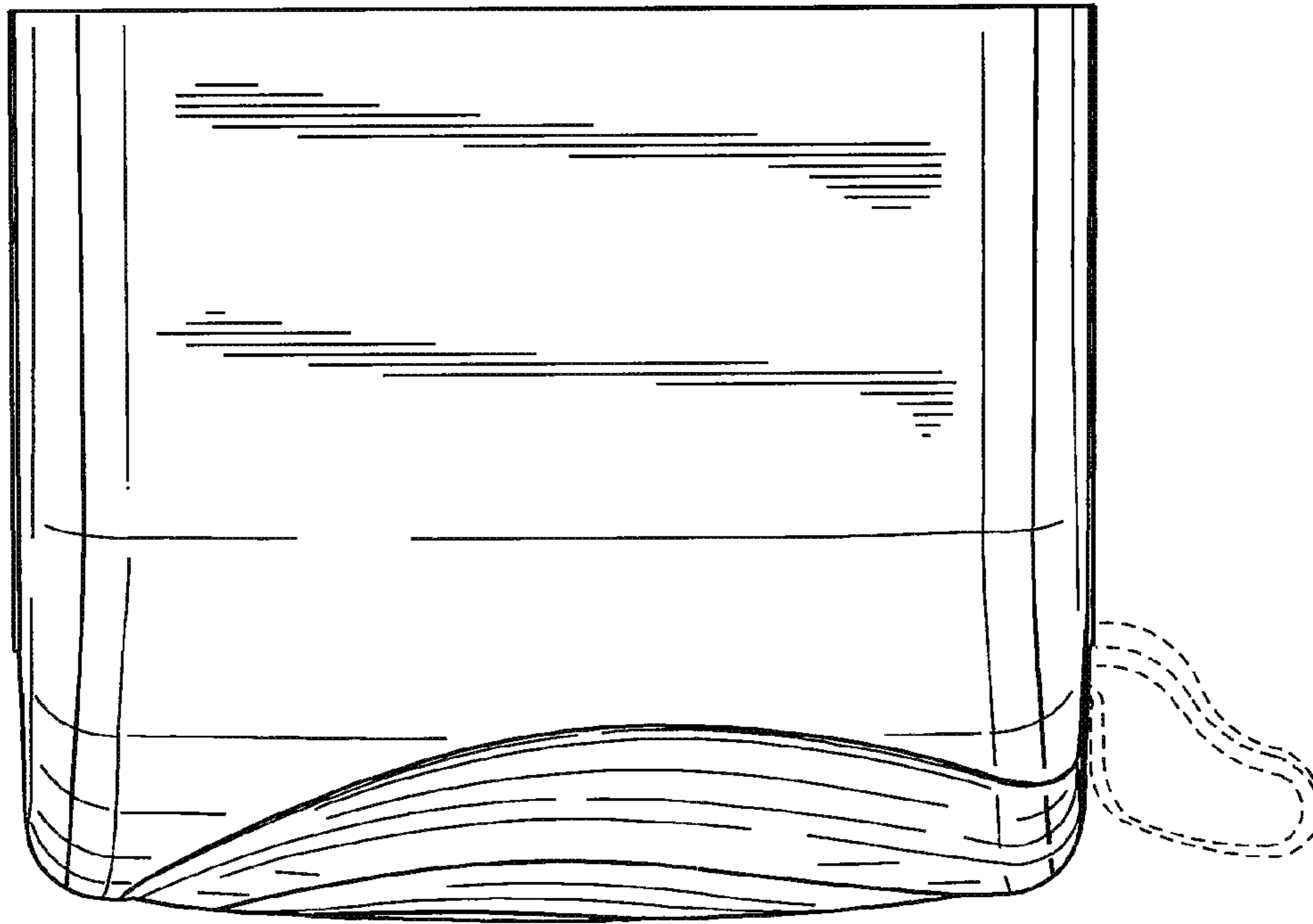


FIG. 5

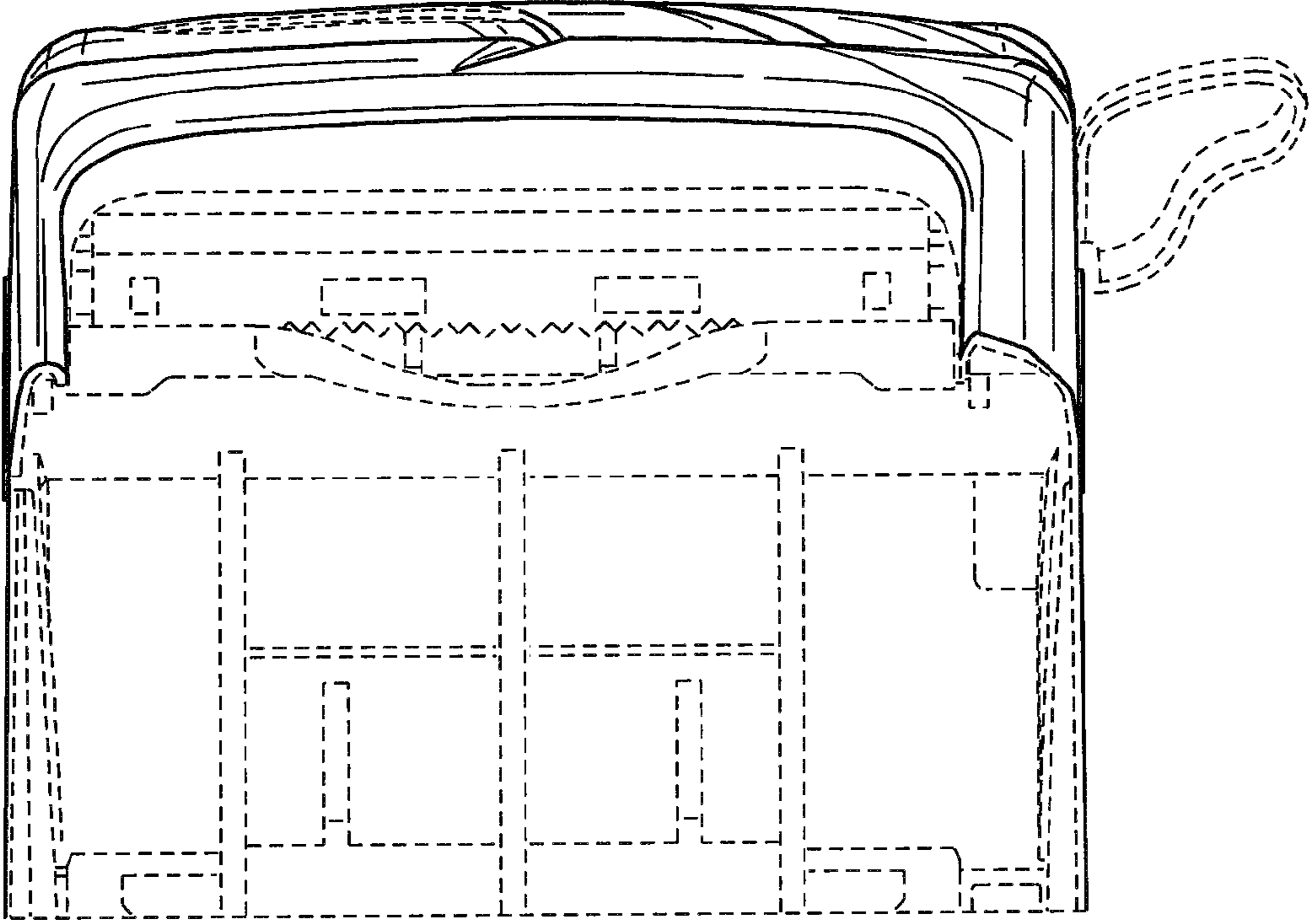


FIG. 6

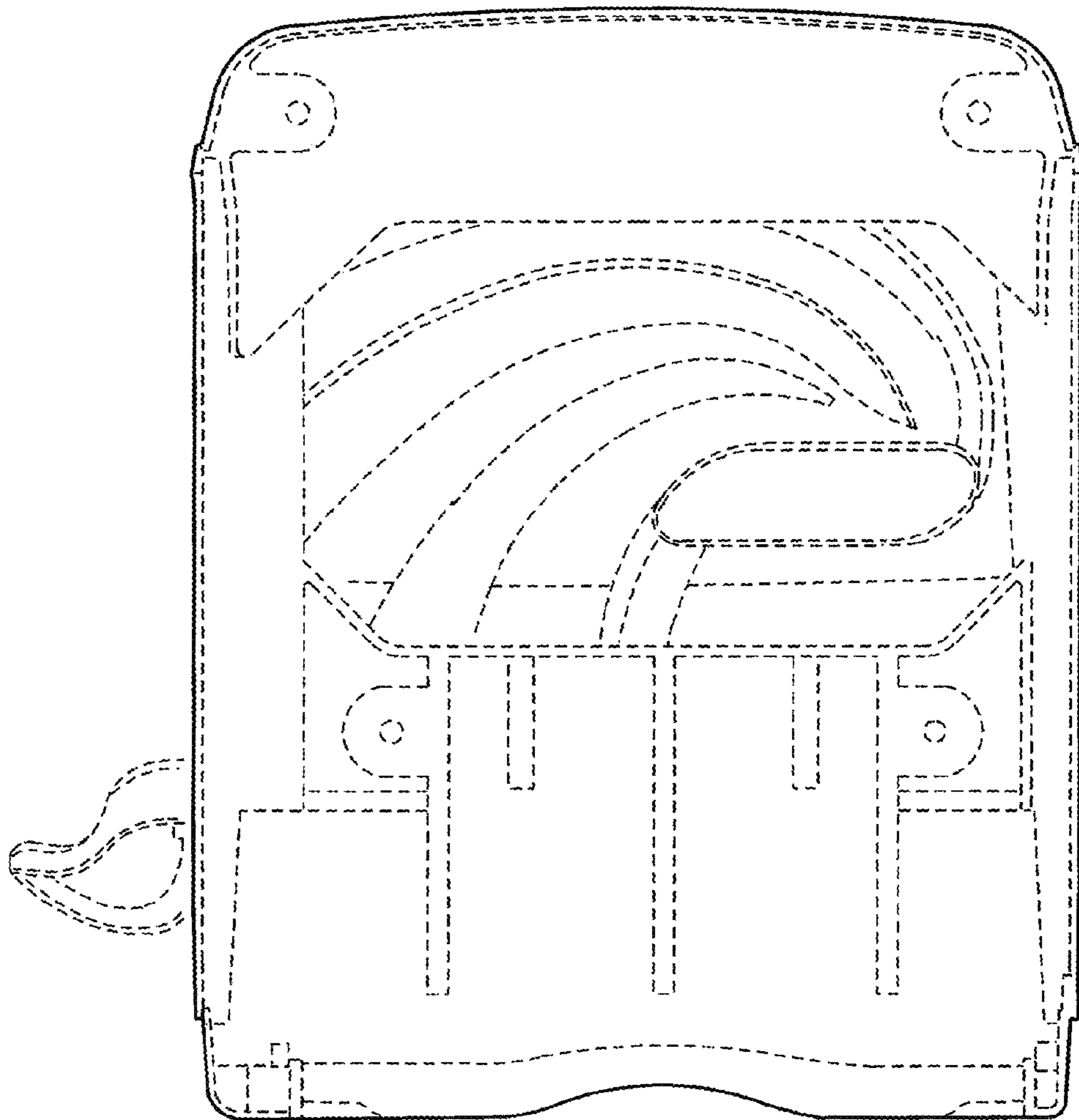


FIG. 7