



US00D665199S

(12) **United States Design Patent**
Plitt et al.

(10) **Patent No.:** **US D665,199 S**

(45) **Date of Patent:** **** Aug. 14, 2012**

(54) **WORKSTATION**

(75) Inventors: **Eugene W. Plitt**, Waukesha, WI (US);
Christopher R. Gnadt, Sturdevant, WI
(US); **Jayson Weymier**, Menomonee
Falls, WI (US)

(73) Assignee: **Bay View Industries, Inc.**, Oak Creek,
WI (US)

(**) Term: **14 Years**

(21) Appl. No.: **29/391,263**

(22) Filed: **May 5, 2011**

(51) **LOC (9) Cl.** **06-06**

(52) **U.S. Cl.** **D6/491; D6/511; D6/482**

(58) **Field of Classification Search** D6/480-489,
D6/495-499, 429, 491, 511, 406.3; 108/150,
108/153.1, 156, 157, 161, 50.01, 50.02; 312/239;
D14/304, 305

See application file for complete search history.

(56) **References Cited**

U.S. PATENT DOCUMENTS

D380,630 S *	7/1997	Ahrensburg	D6/486
D386,916 S *	12/1997	Conner	D6/426
D392,132 S *	3/1998	Barlow-Lawson	D6/511
D409,419 S	5/1999	Wilkinson		
D425,344 S *	5/2000	Barlow-Lawson	D6/511
6,101,954 A *	8/2000	Rein et al.	108/50.02
D520,511 S	5/2006	Piazza et al.		
D522,010 S	5/2006	Piazza et al.		
D540,565 S *	4/2007	Nakamura	D6/421

D624,083 S 9/2010 Scheper et al.
D627,177 S 11/2010 Mead et al.
2006/0096505 A1* 5/2006 Sykes 108/50.01

* cited by examiner

Primary Examiner — Janice Seeger

(74) *Attorney, Agent, or Firm* — Reinhart Boerner Van
Deuren s.c.

(57) **CLAIM**

The ornamental design for a workstation, as shown and
described.

DESCRIPTION

FIG. 1 is a perspective view from the top and side of the
claimed design;

FIG. 2 is a perspective view from the bottom and side of the
claimed design of FIG. 1;

FIG. 3 is a top view of the claimed design of FIGS. 1 and 2;

FIG. 4 is a bottom view of the claimed design of FIGS. 1-3;

FIG. 5 is a front view of the claimed design of FIGS. 1-4;

FIG. 6 is a right side view of the claimed design of FIGS. 1-5;

FIG. 7 is a left side view of the claimed design of FIGS. 1-6;

FIG. 8 is a back view of the claimed design of FIGS. 1-7;

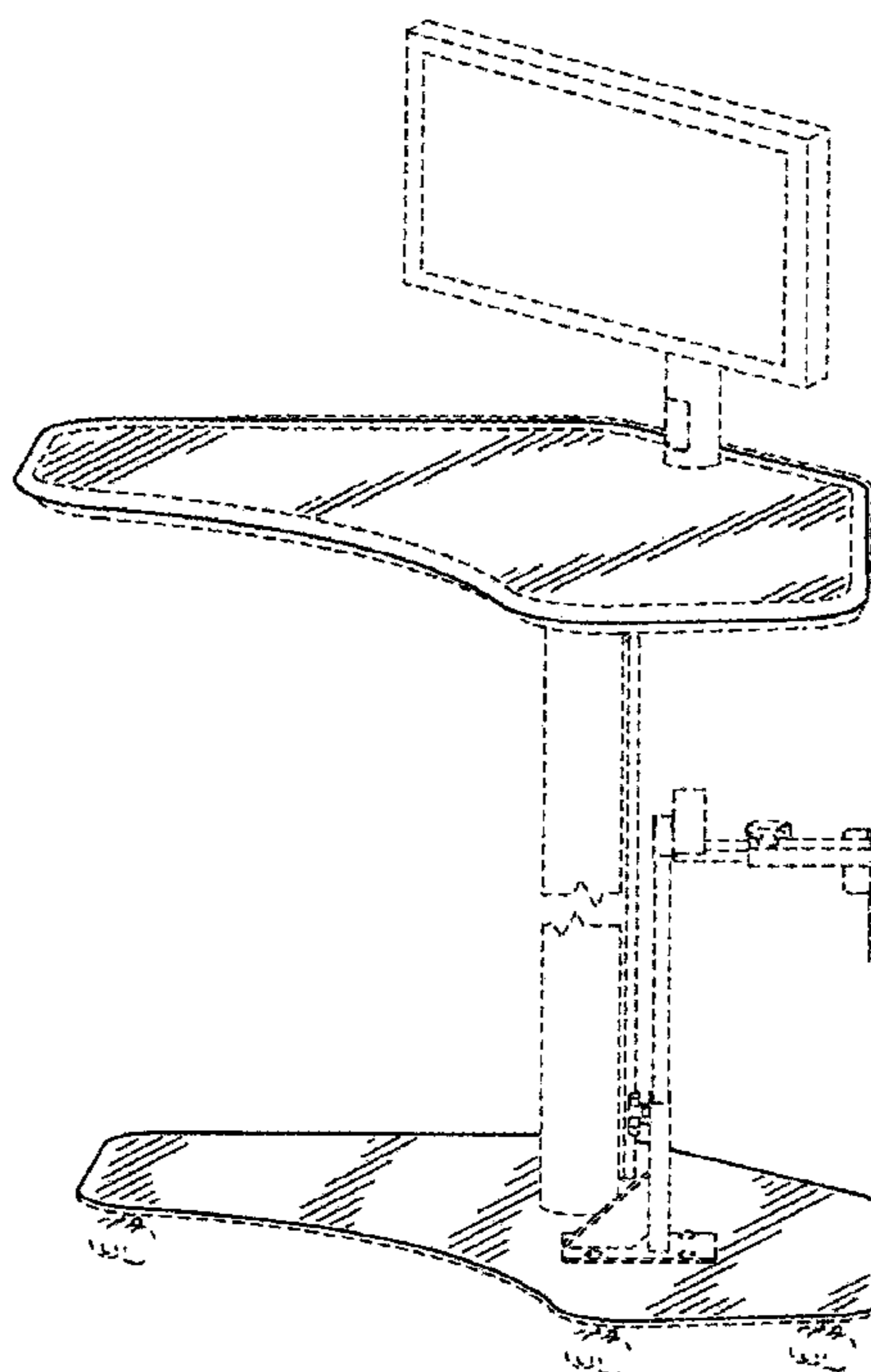
FIG. 9 is a view of the claimed design of FIGS. 1-8 taken at the
line 9-9 in FIG. 5;

FIG. 10 is a perspective view of the claimed design of FIGS.
1-9 in an environment; and,

FIG. 11 is a top view of the claimed design of FIGS. 1-10 in
an environment.

The ornamental design which is claimed is shown in solid
lines in the drawings. The broken lines are for environmental
purposes only and form no part of the claimed design.

1 Claim, 10 Drawing Sheets



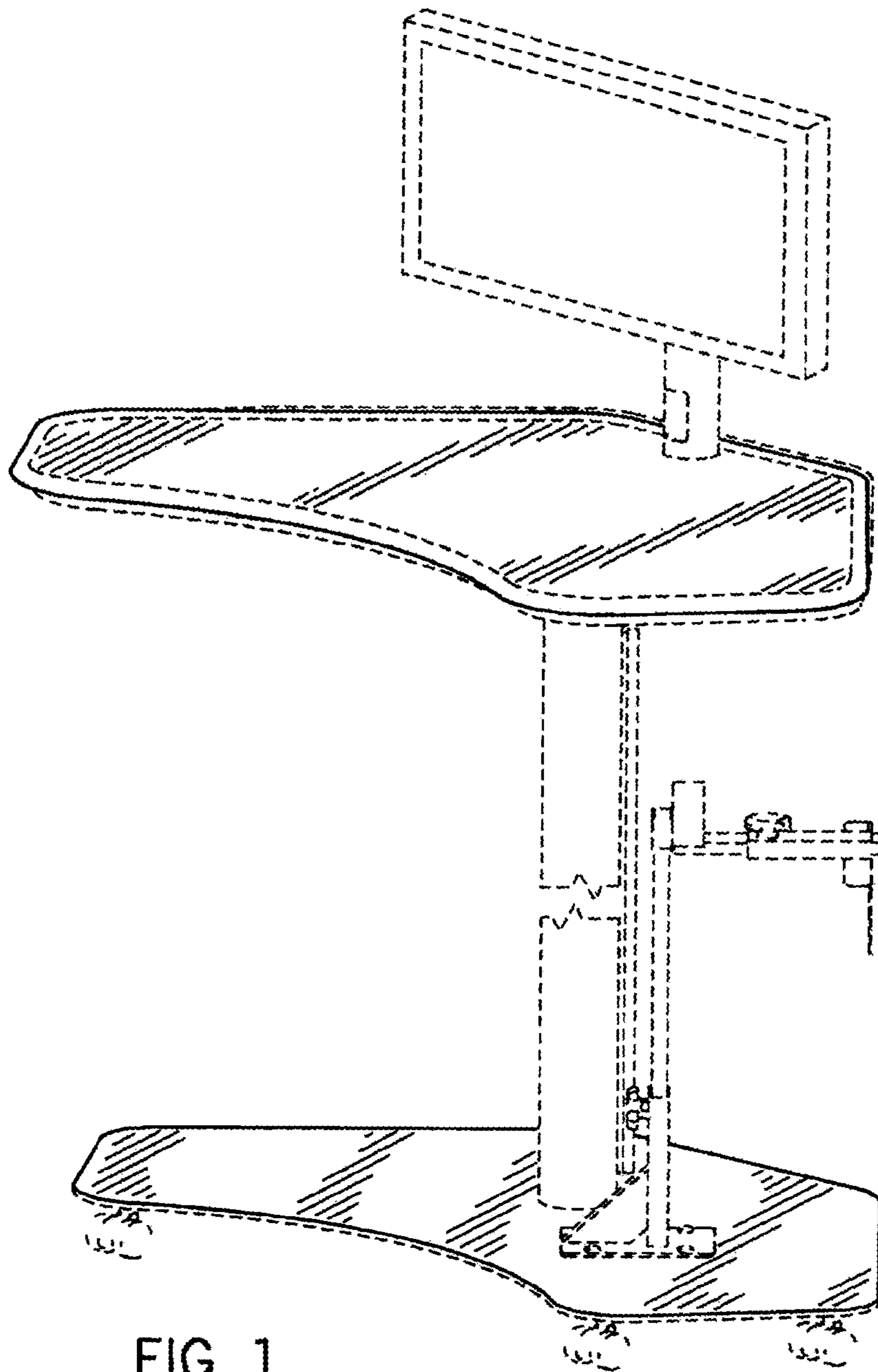


FIG. 1

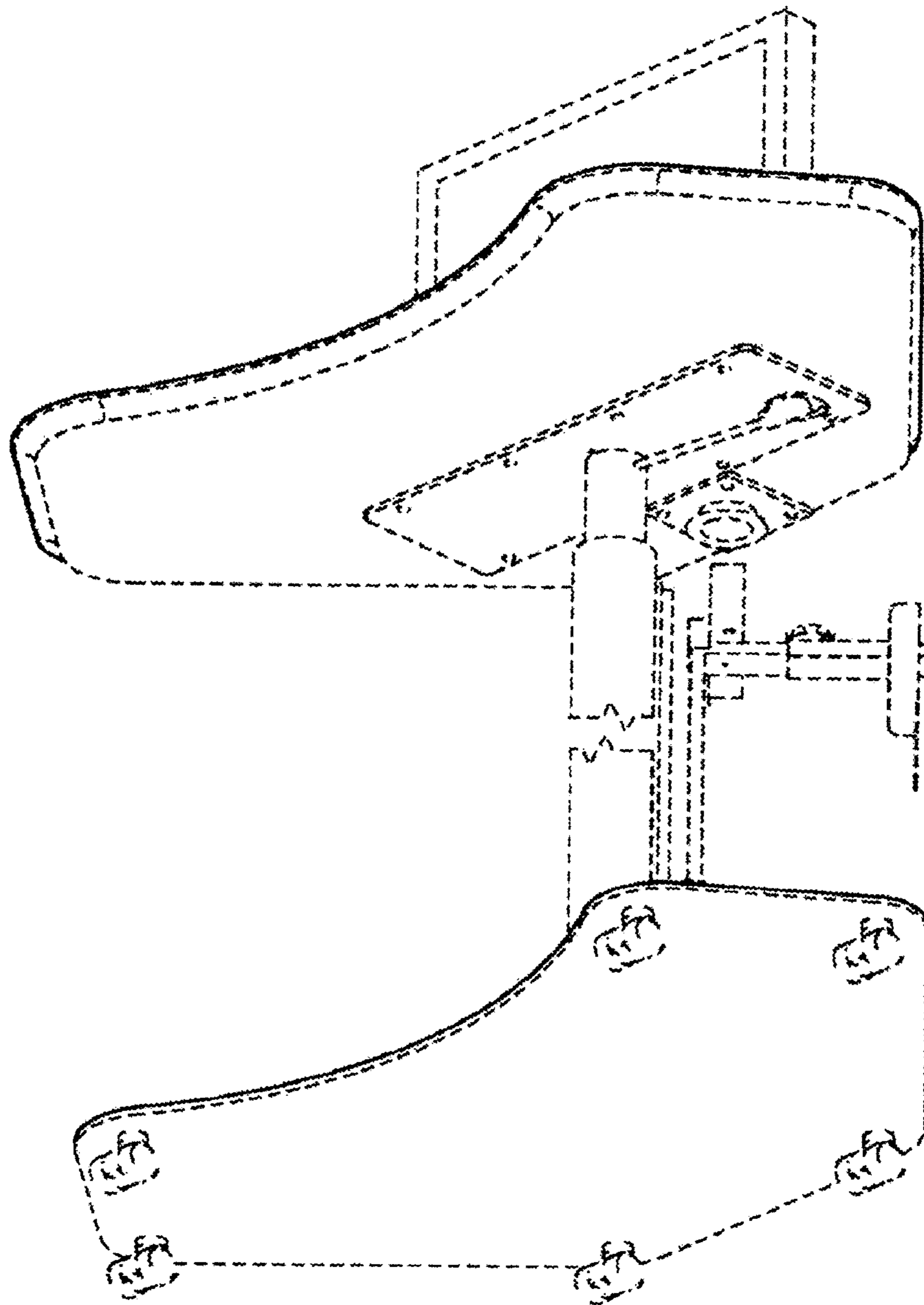


FIG. 2

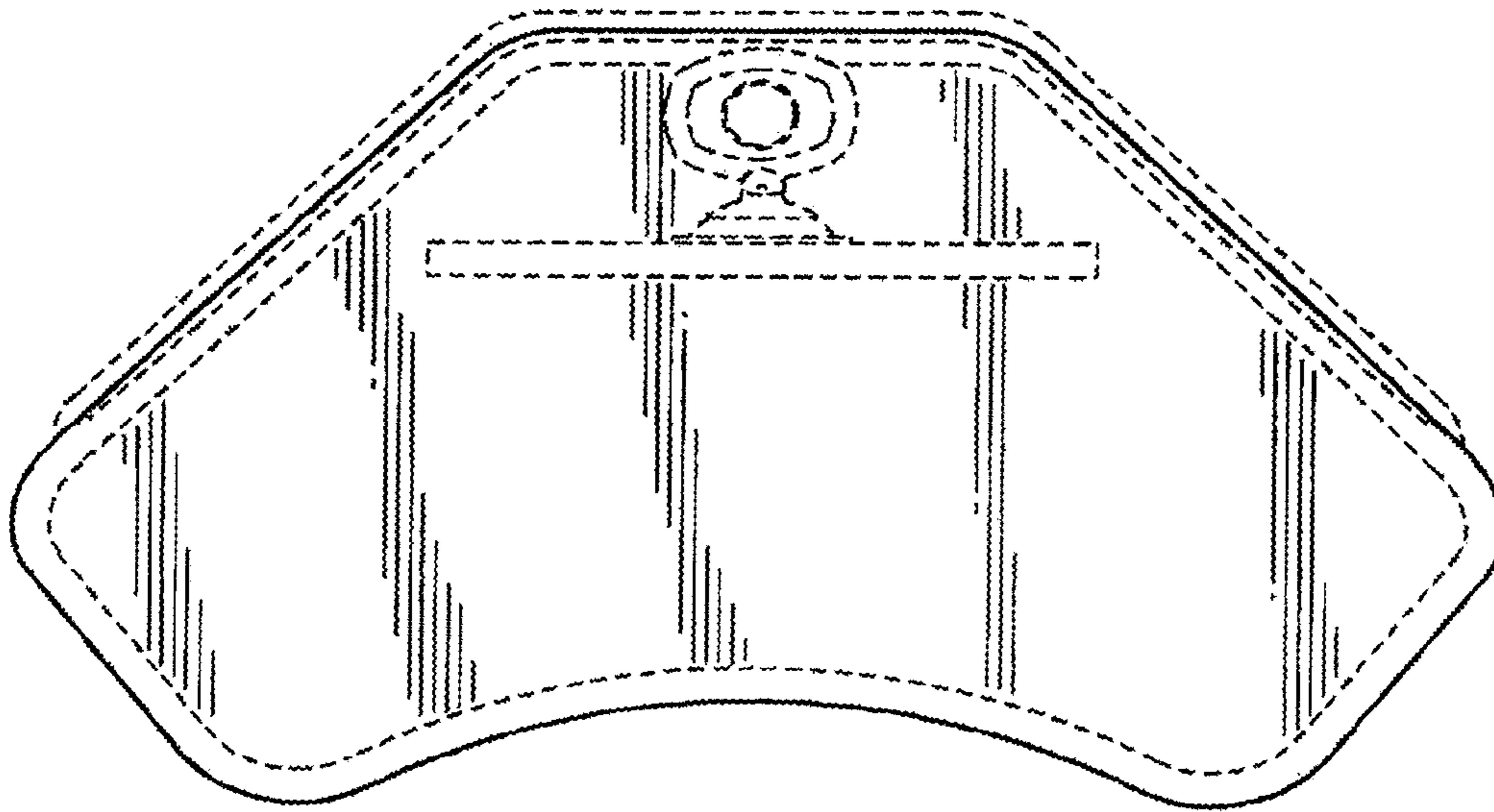


FIG. 3

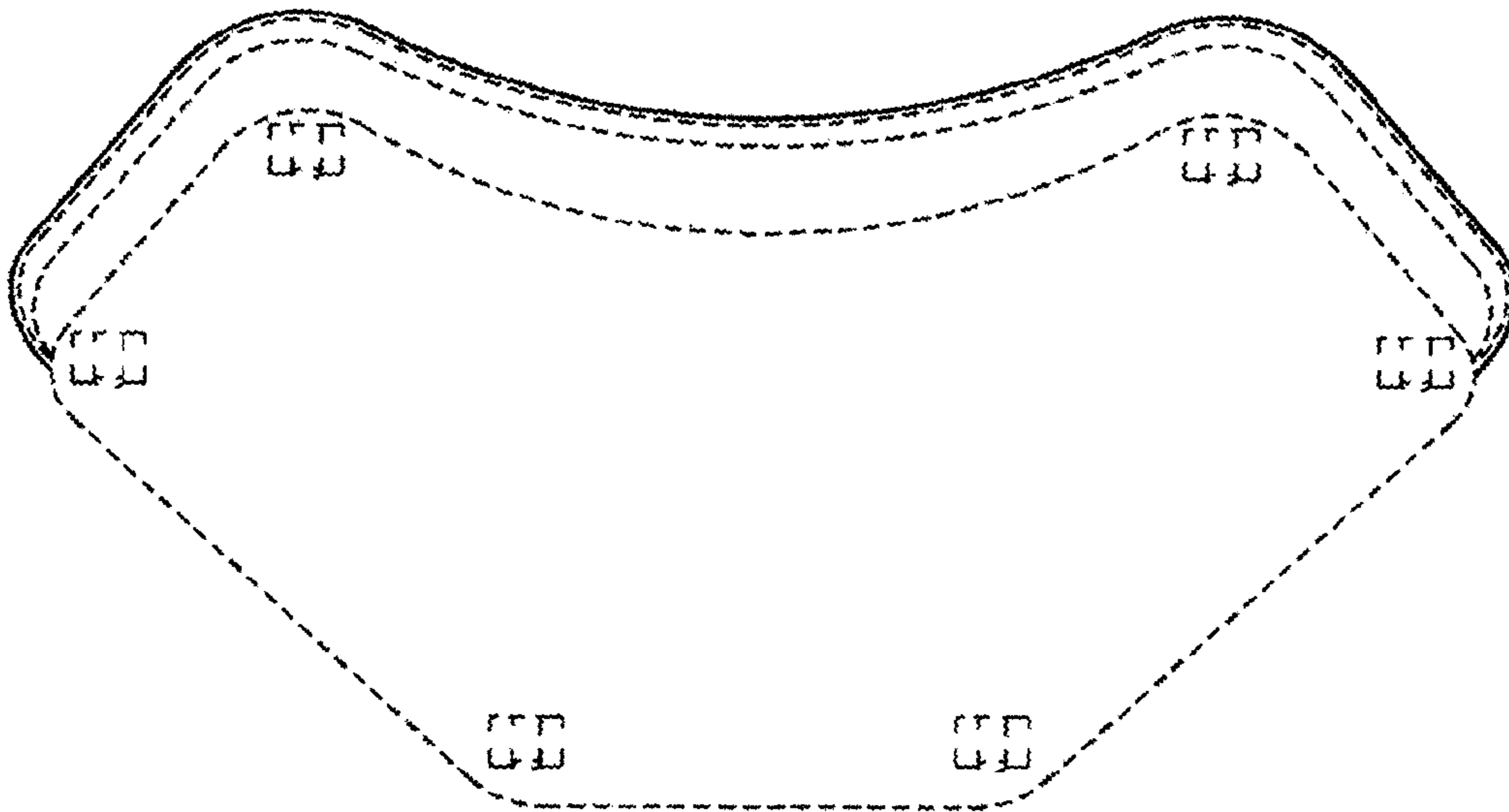


FIG. 4

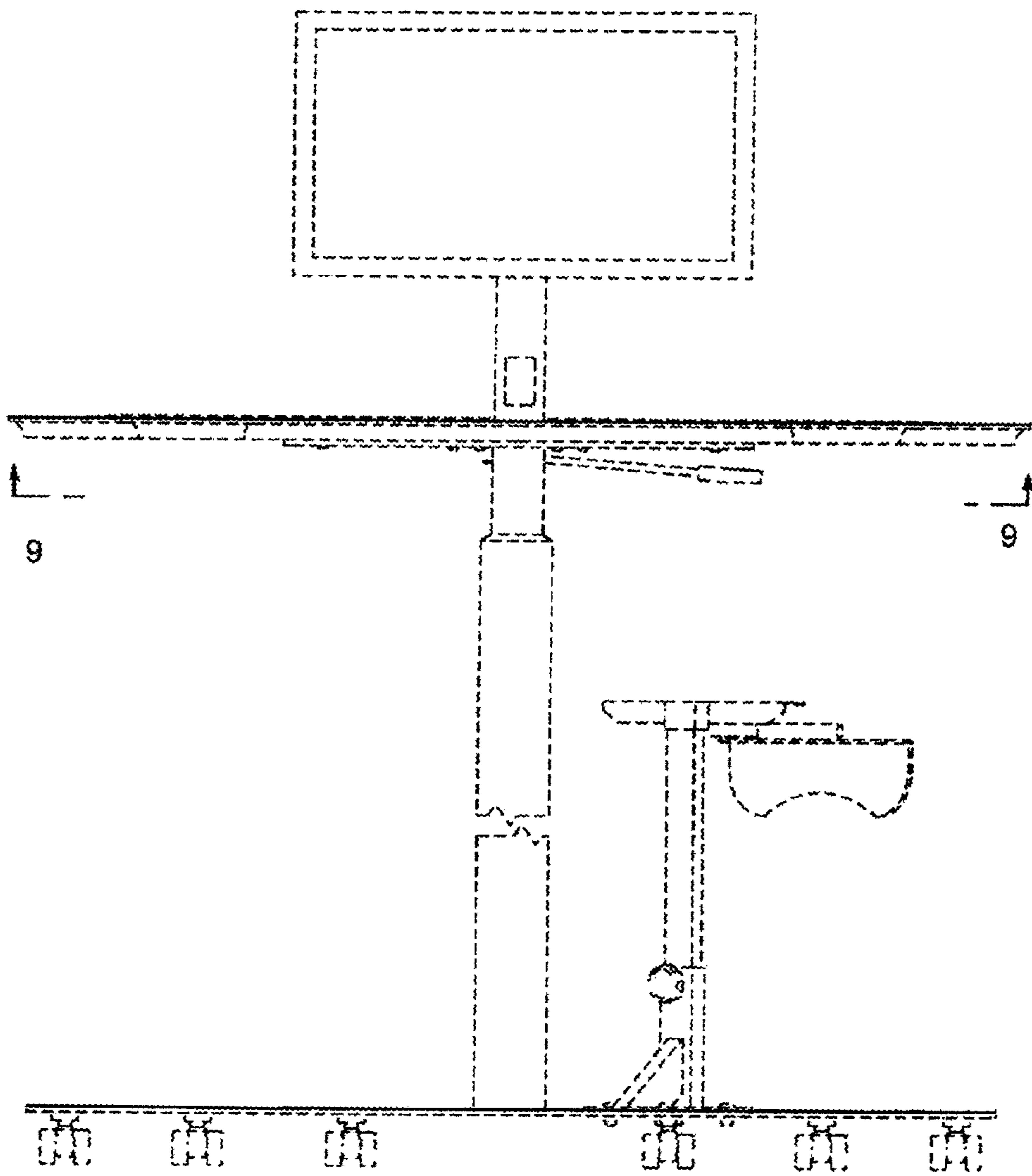


FIG. 5

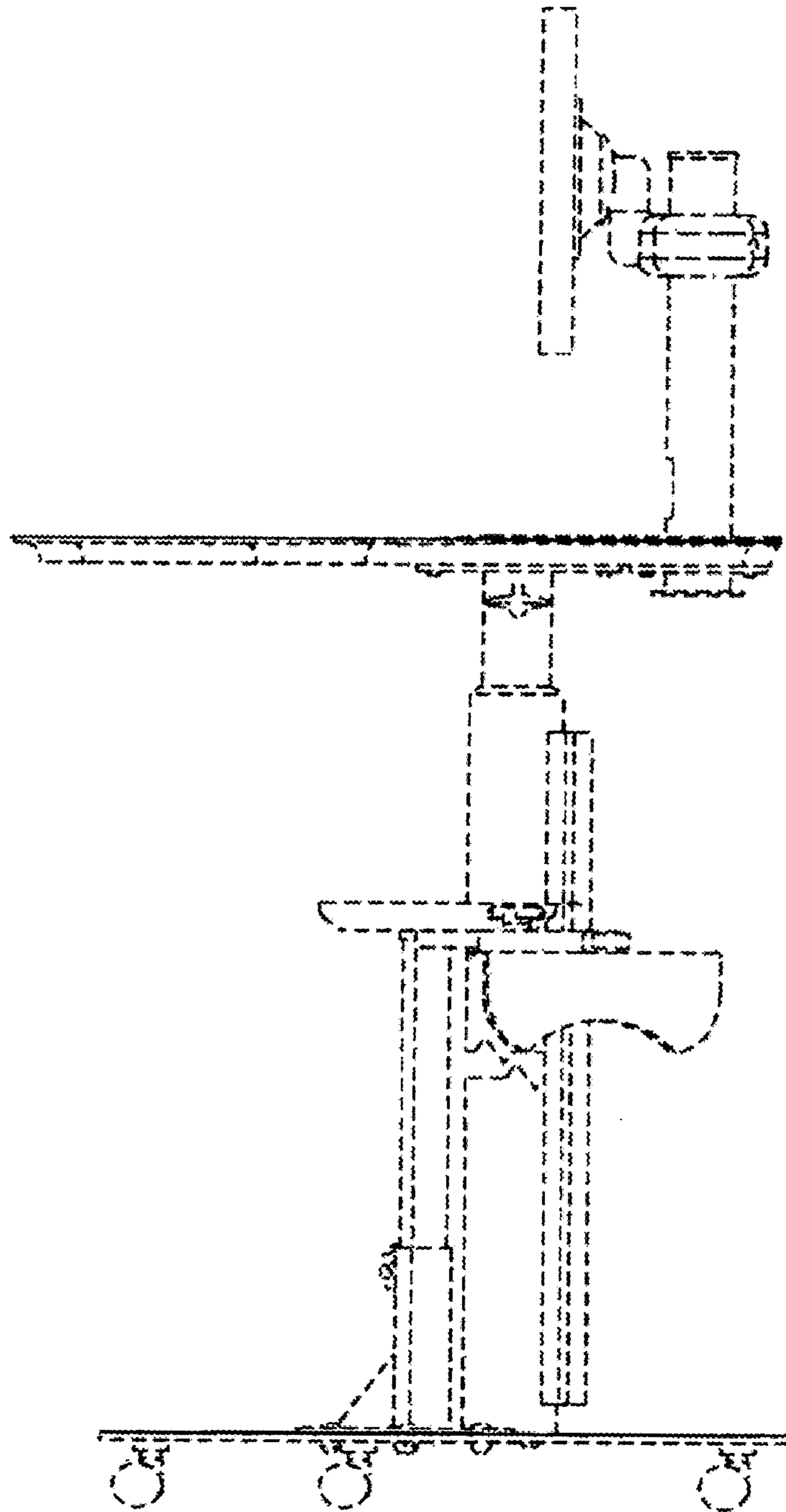


FIG. 6

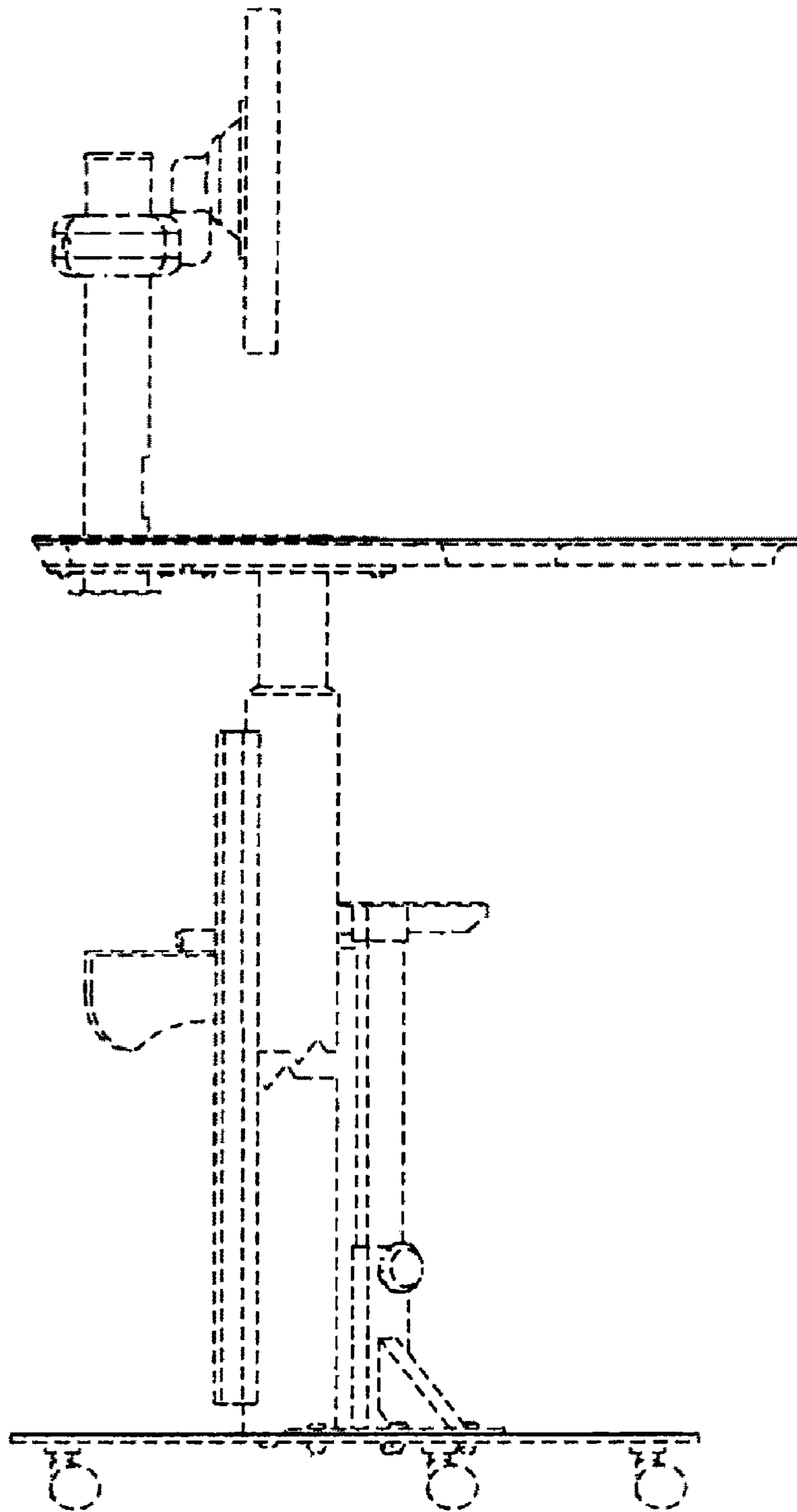


FIG. 7

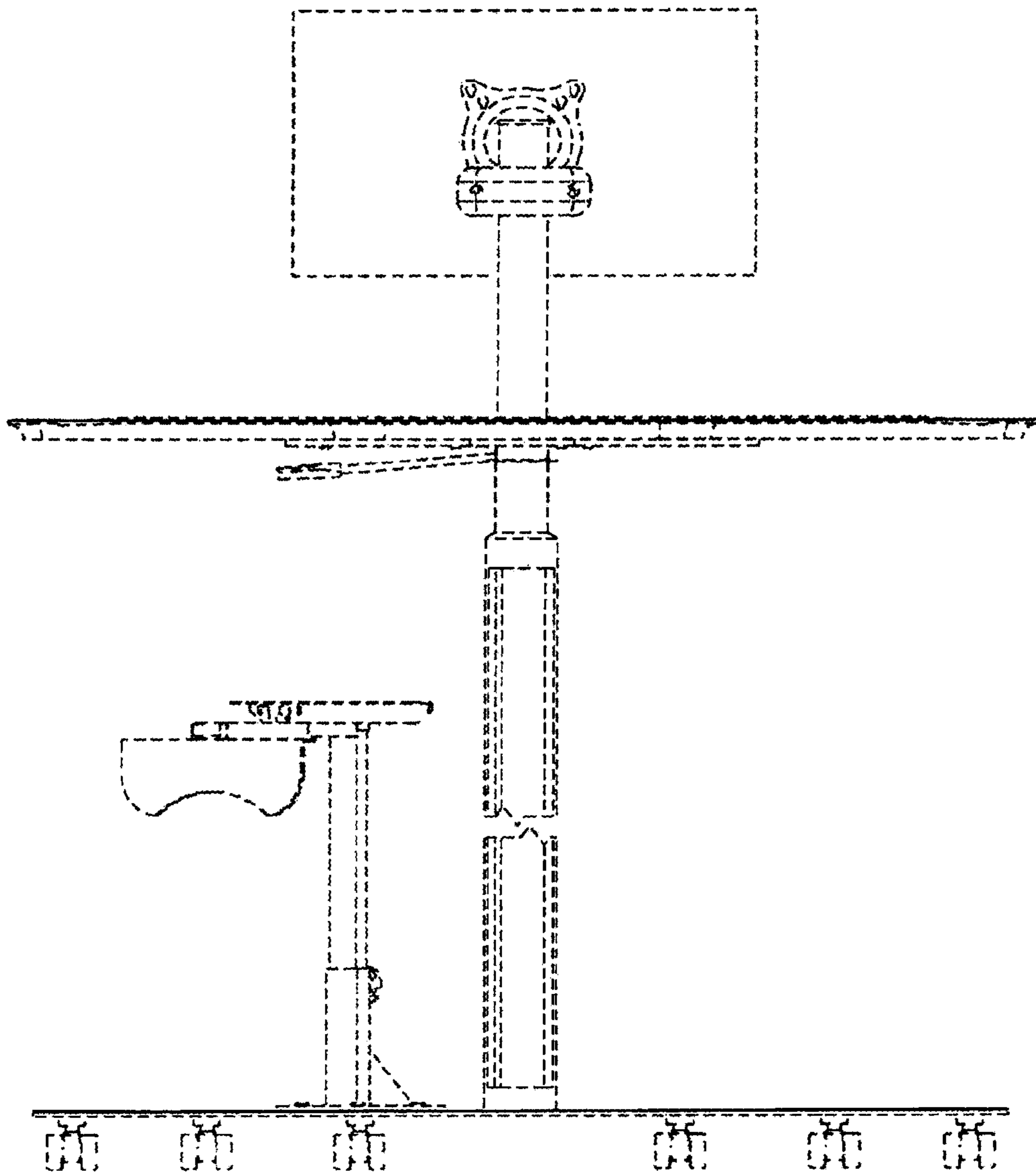


FIG. 8

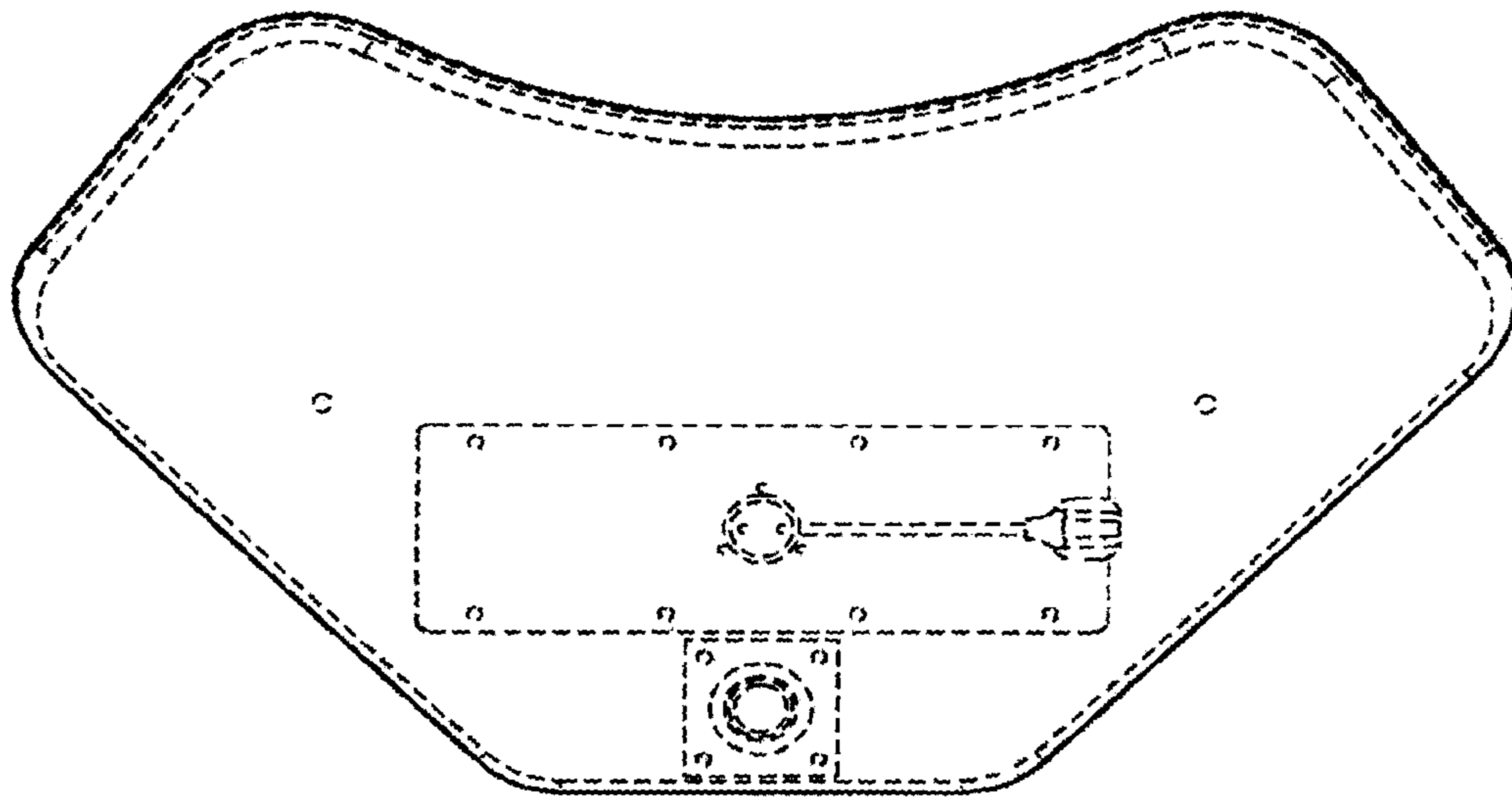


FIG. 9

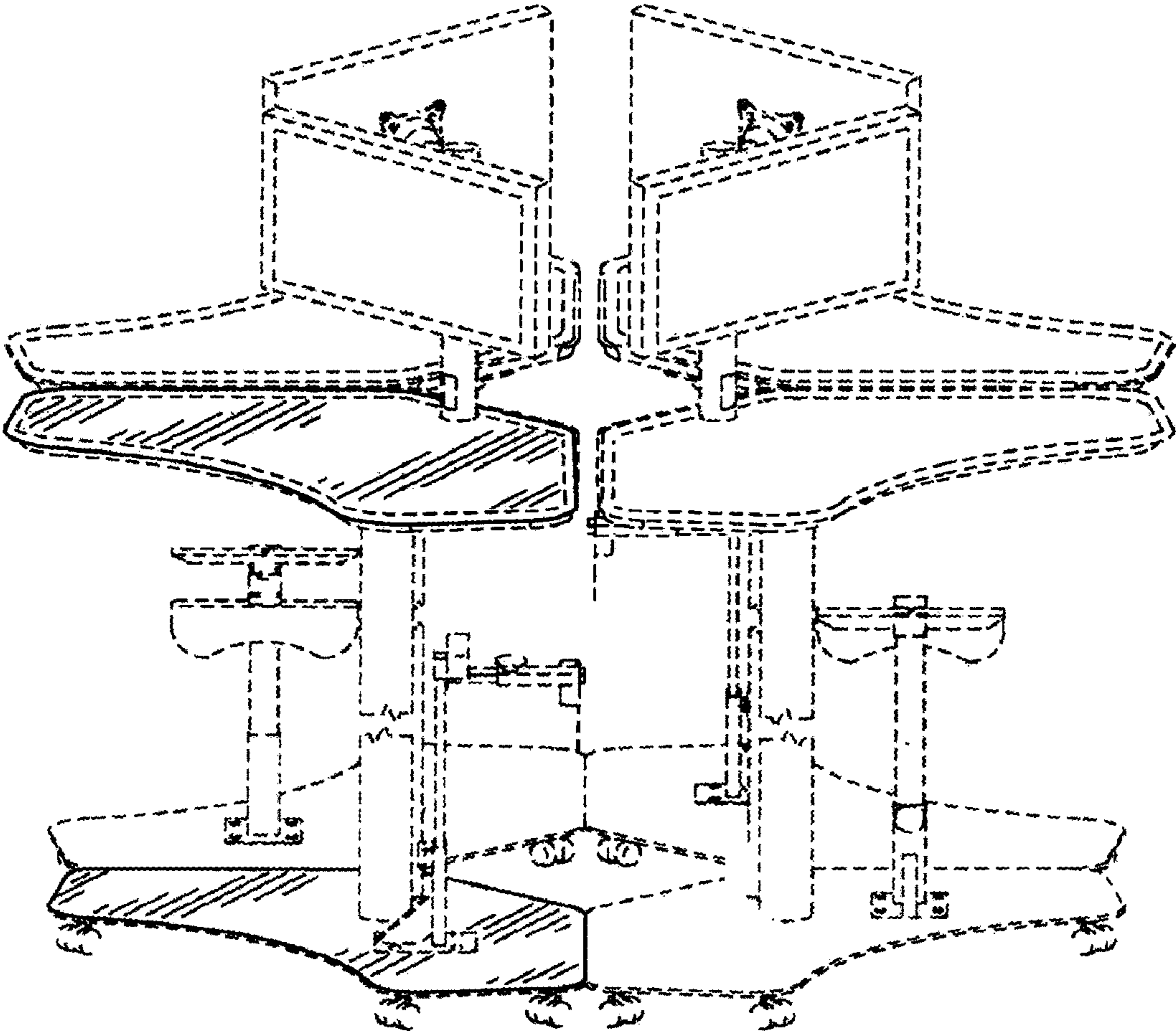


FIG. 10

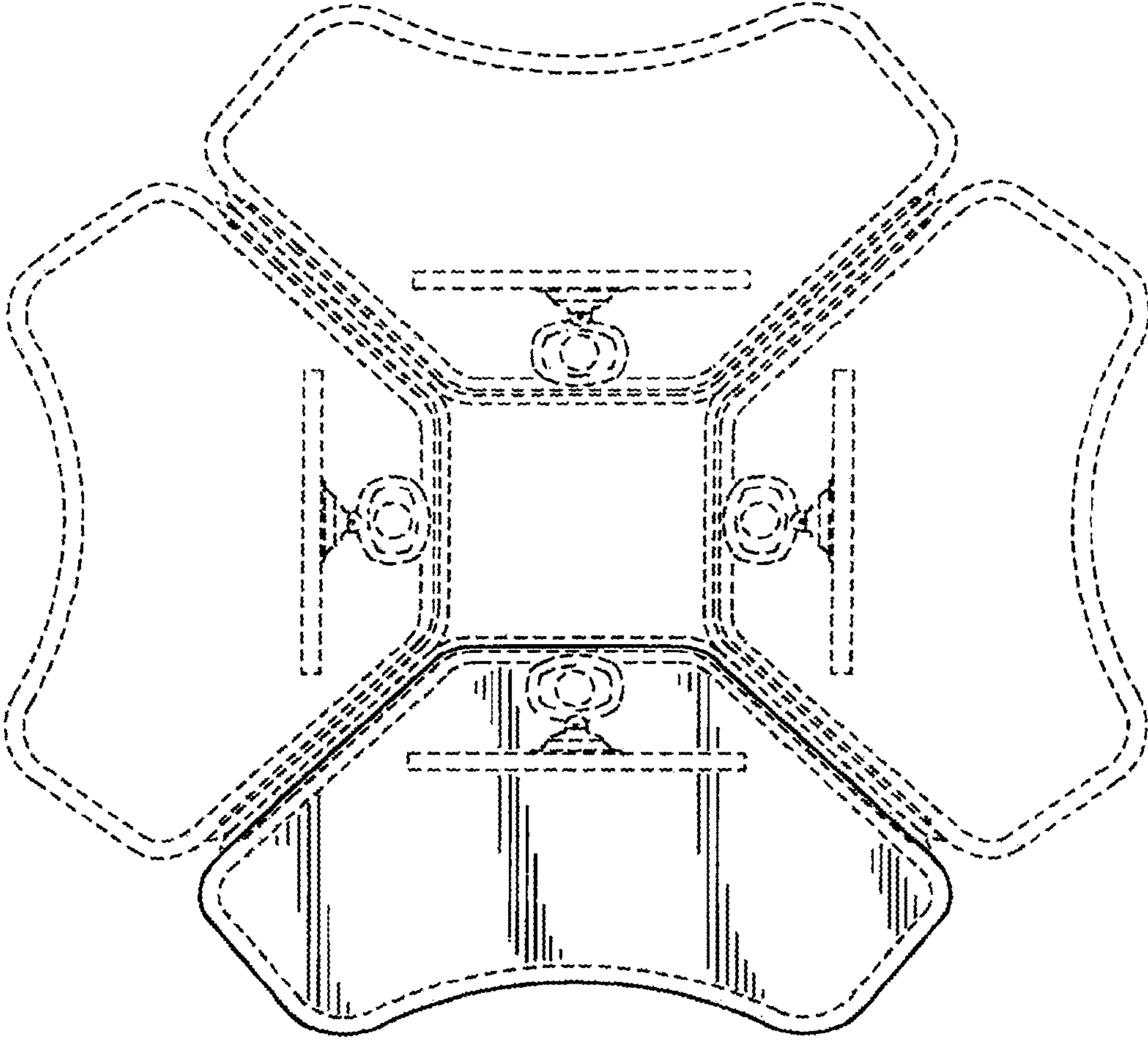


FIG. 11