



US00D665196S

(12) **United States Design Patent**
Plikat et al.

(10) **Patent No.:** **US D665,196 S**
(45) **Date of Patent:** **** Aug. 14, 2012**

(54) **PARTITION**

(75) Inventors: **Claudia Plikat**, Berlin (DE); **Johann Burkhard Schmitz**, Berlin (DE); **Carola Zwick**, Berlin (DE); **Roland Zwick**, Berlin (DE)

(73) Assignee: **Herman Miller, Inc.**, Zeeland, MI (US)

(**) Term: **14 Years**

(21) Appl. No.: **29/379,704**

(22) Filed: **Nov. 23, 2010**

(30) **Foreign Application Priority Data**

Jun. 12, 2010 (DE) 40 2010 003 174

(51) **LOC (9) Cl.** **06-04**

(52) **U.S. Cl.** **D6/468**

(58) **Field of Classification Search** D6/332,
D6/396, 421, 424, 449, 455, 457, 466, 460,
D6/475-476, 492, 509-510, 468; D25/138;
211/55, 87.01, 59.2, 45, 184, 134, 128-129,
211/131, 163, 50, 189, 58; 52/36.1, 220.7,
52/239, 36.5, 36.4, 33; 297/233, 440.1, 248;
108/153.1, 108; 312/234, 128, 258, 11, 125,
312/135; D19/75, 78, 90-61; 40/124.2,
40/776, 761, 657, 729, 771; 248/450, 473

See application file for complete search history.

(56) **References Cited**

U.S. PATENT DOCUMENTS

D53,058 S * 3/1919 Weinberg D6/455
(Continued)

FOREIGN PATENT DOCUMENTS

DE 2345934 A1 3/1975
(Continued)

OTHER PUBLICATIONS

Apartment Therapy, "Good Questions: Stepped Room Divider?", 1 page.

(Continued)

Primary Examiner — Robert Delehanty

(74) *Attorney, Agent, or Firm* — Brinks Hofer Gilson & Lione

(57) **CLAIM**

The ornamental design for a partition, as shown and described.

DESCRIPTION

FIG. 1 is a perspective view of a first embodiment of a partition surface;

FIG. 2 is a front view of the partition surface shown in FIG. 1;

FIG. 3 is a rear view of the partition surface shown in FIG. 1;

FIG. 4 is a left side view of the partition surface shown in FIG. 1;

FIG. 5 is a right side view of the partition surface shown in FIG. 1;

FIG. 6 is a top view of the partition surface shown in FIG. 1;

FIG. 7 is a bottom view of the partition surface shown in FIG. 1;

FIG. 8 is a perspective view of a second embodiment of a partition surface;

FIG. 9 is a front view of the partition surface shown in FIG. 8;

FIG. 10 is a rear view of the partition surface shown in FIG. 8;

FIG. 11 is a left side view of the partition surface shown in FIG. 8;

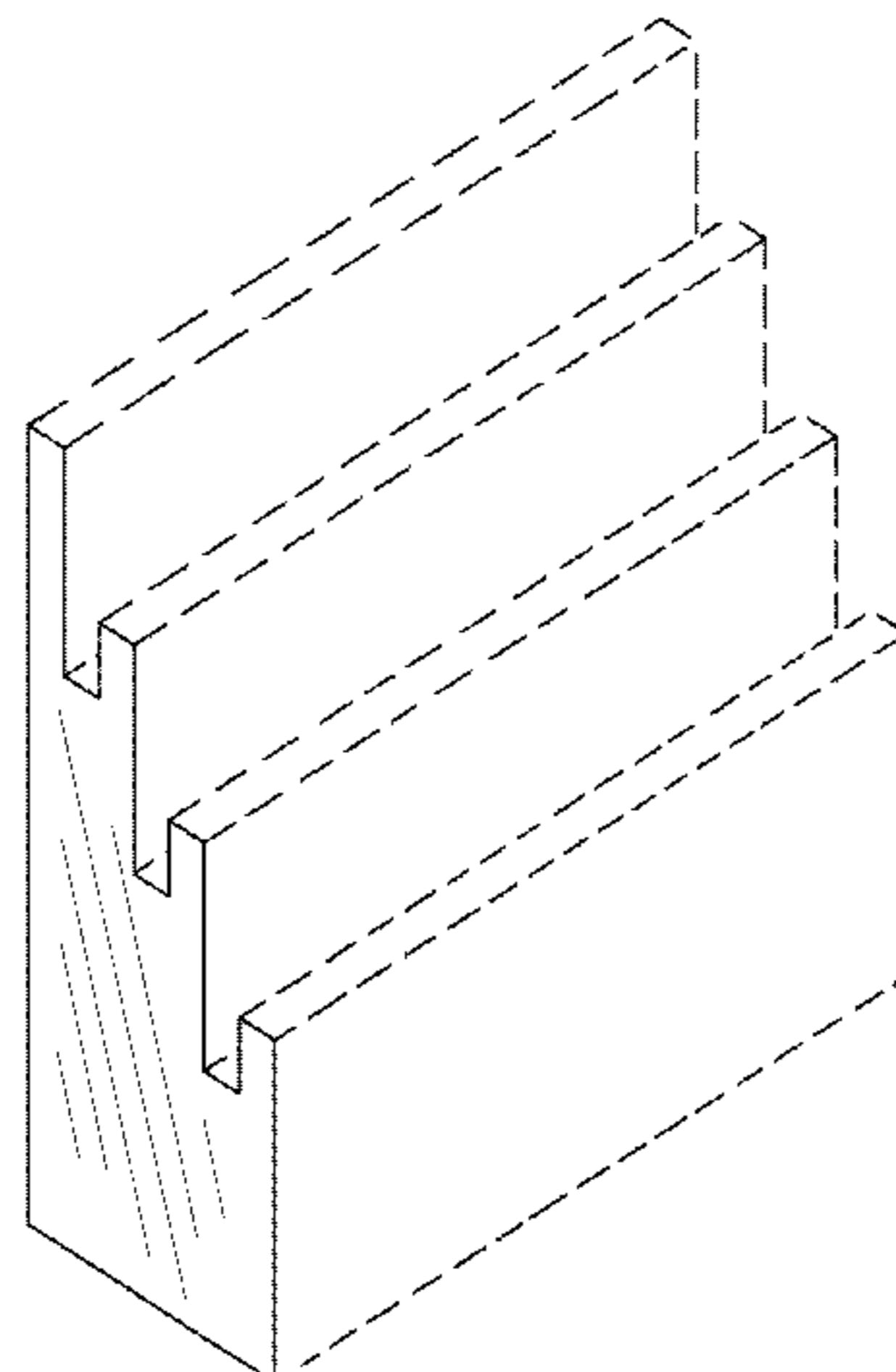
FIG. 12 is a right side view of the partition surface shown in FIG. 8;

FIG. 13 is a top view of the partition surface shown in FIG. 8; and,

FIG. 14 is a bottom view of the partition surface shown in FIG. 8.

The broken lines extending from the claimed partition surfaces shown in FIGS. 1.1-1.7 and 2.1-2.7 are for environmental purposes only and do not form any part of the claimed design.

1 Claim, 14 Drawing Sheets



US D665,196 S

Page 2

U.S. PATENT DOCUMENTS

1,647,889 A 11/1927 Saunders
 1,694,520 A 12/1928 Sturdavant
 1,720,136 A 7/1929 Neumann
 D82,098 S * 9/1930 Marsh D6/468
 D86,761 S 4/1932 Brooks
 D98,297 S * 1/1936 Early D6/468
 2,129,396 A 9/1938 Archer
 D115,351 S * 6/1939 Rask D6/455
 D140,244 S * 2/1945 Wemyss D6/466
 D144,591 S * 4/1946 Schutes D6/424
 D157,082 S * 1/1950 Patton D6/468
 D161,333 S * 12/1950 Gooken D6/455
 D180,106 S * 4/1957 Seifert D6/468
 2,889,055 A 6/1959 Weller et al.
 D189,171 S * 11/1960 Ensign D6/457
 D189,245 S * 11/1960 Hunting D6/424
 3,171,543 A 3/1965 Nelson et al.
 D211,546 S * 6/1968 Reibold D6/455
 D211,548 S * 6/1968 Hayes D6/466
 D212,267 S * 9/1968 Dreyfuss D6/457
 3,519,320 A 7/1970 Freedman
 3,811,728 A 5/1974 Redemske
 D232,142 S * 7/1974 Spydevold D6/457
 D233,579 S * 11/1974 Lindbo D6/457
 3,871,435 A * 3/1975 Lopatka D6/332
 D240,098 S * 6/1976 Juhlin D6/455
 D246,323 S * 11/1977 Kirk D6/332
 D253,152 S * 10/1979 Berlic D6/424
 4,203,239 A * 5/1980 Williams et al. 40/761
 4,325,597 A 4/1982 Morrison
 D265,701 S * 8/1982 Colquhoun D6/424
 D266,210 S * 9/1982 Hannecke D6/509
 D272,834 S * 2/1984 Moore D6/468
 4,460,097 A * 7/1984 Darnell et al. 211/189
 4,534,473 A * 8/1985 Post 211/58
 D281,209 S * 11/1985 Burns D6/468
 4,579,399 A * 4/1986 Poltash D6/450
 D299,990 S * 2/1989 Everett D6/415
 D300,489 S * 4/1989 Antonellis D6/466
 D301,189 S * 5/1989 Wallace D6/468
 4,876,835 A 10/1989 Kelley et al.
 4,925,038 A 5/1990 Gajewski
 5,016,405 A * 5/1991 Lee D6/421
 D319,361 S * 8/1991 Moser D6/468
 D327,385 S * 6/1992 Allen D6/474
 D334,306 S * 3/1993 Breen D6/455
 5,287,666 A 2/1994 Frascaroli et al.
 5,392,575 A * 2/1995 Hoffman et al. D25/138
 D358,067 S * 5/1995 Graves D6/466
 5,423,597 A 6/1995 Rogers
 D368,388 S * 4/1996 Schainholz D6/423
 5,553,934 A 9/1996 Wells et al.
 5,715,633 A 2/1998 Raz et al.
 D395,367 S * 6/1998 DePottay et al. D6/455
 D397,561 S * 9/1998 DePottay et al. D6/455
 5,836,112 A 11/1998 Lindale et al.
 5,857,742 A 1/1999 Karl et al.
 5,915,571 A 6/1999 Czalkiewicz et al.
 5,938,048 A 8/1999 Carroll et al.

D415,580 S * 10/1999 Keating et al. D25/138
 5,983,574 A 11/1999 Holztrager
 6,105,796 A 8/2000 Buchanan et al.
 6,138,583 A 10/2000 Mahone et al.
 D435,181 S * 12/2000 Brozak, Jr. D6/455
 D435,865 S * 1/2001 La Greca D6/455
 6,427,853 B2 8/2002 Brozak, Jr.
 6,460,470 B1 10/2002 Scharer et al.
 D492,964 S * 7/2004 Kuehl et al. D19/75
 D494,776 S * 8/2004 Metz D6/457
 6,851,226 B2 2/2005 MacGregor et al.
 6,929,131 B1 8/2005 Landi
 D520,263 S * 5/2006 Nobles et al. D6/421
 7,051,482 B2 5/2006 MacDonald et al.
 D526,819 S * 8/2006 Lee et al. D6/476
 D527,207 S * 8/2006 Lee et al. D6/476
 7,213,885 B2 5/2007 White, III et al.
 D551,002 S * 9/2007 Snell D6/525
 D559,564 S * 1/2008 Bakker et al. D6/332
 7,347,493 B2 3/2008 Mulmed
 D571,577 S * 6/2008 Van Es D6/460
 D572,042 S * 7/2008 Suzuki D6/457
 D572,043 S * 7/2008 Suzuki D6/457
 D575,556 S * 8/2008 Rohkar, Jr. D6/466
 7,461,484 B2 12/2008 Battey et al.
 D590,635 S * 4/2009 Beckerman D6/475
 D591,987 S * 5/2009 Thompson D6/509
 7,540,115 B2 6/2009 Metcalf et al.
 D605,425 S * 12/2009 Kelly D6/457
 D605,876 S * 12/2009 Linder D6/476
 D611,270 S * 3/2010 Castillo Higareda D6/475
 D613,079 S * 4/2010 Tsuchiyama D6/332
 D613,080 S * 4/2010 Tsuchiyama D6/332
 D613,966 S * 4/2010 Staw et al. D6/476
 D622,077 S * 8/2010 Nash D6/396
 7,775,379 B2 8/2010 Hodge
 D624,334 S * 9/2010 Linder D6/476
 D625,528 S * 10/2010 Sprague D6/449
 D629,228 S * 12/2010 Allman et al. D6/455
 D642,814 S * 8/2011 Pensi et al. D6/332

FOREIGN PATENT DOCUMENTS

DE 202004008322 U1 7/2004
 DK 128131 B 3/1974
 NL 1033119 C2 6/2008
 WO WO 98/04790 A1 2/1998
 WO WO 98/54688 A1 12/1998

OTHER PUBLICATIONS

Bookcase Superstore, "Guidecraft Book Display Children Bookcases", © 1997-2009, Mercantile, Inc., 6 pages.
 Our House Ideas, "Rustic Step Shelf", Fact Sheets, 1 page.
 International Search Report for International Application No. PCT/DE2010/001059, dated Feb. 23, 2011, 2 pages.
 Office Action from counterpart Japanese Application No. 2011-012212, dated Dec. 27, 2011 with English translation and prior art dated Mar. 1, 2007 pictured on p. 2, 3 pages.

* cited by examiner

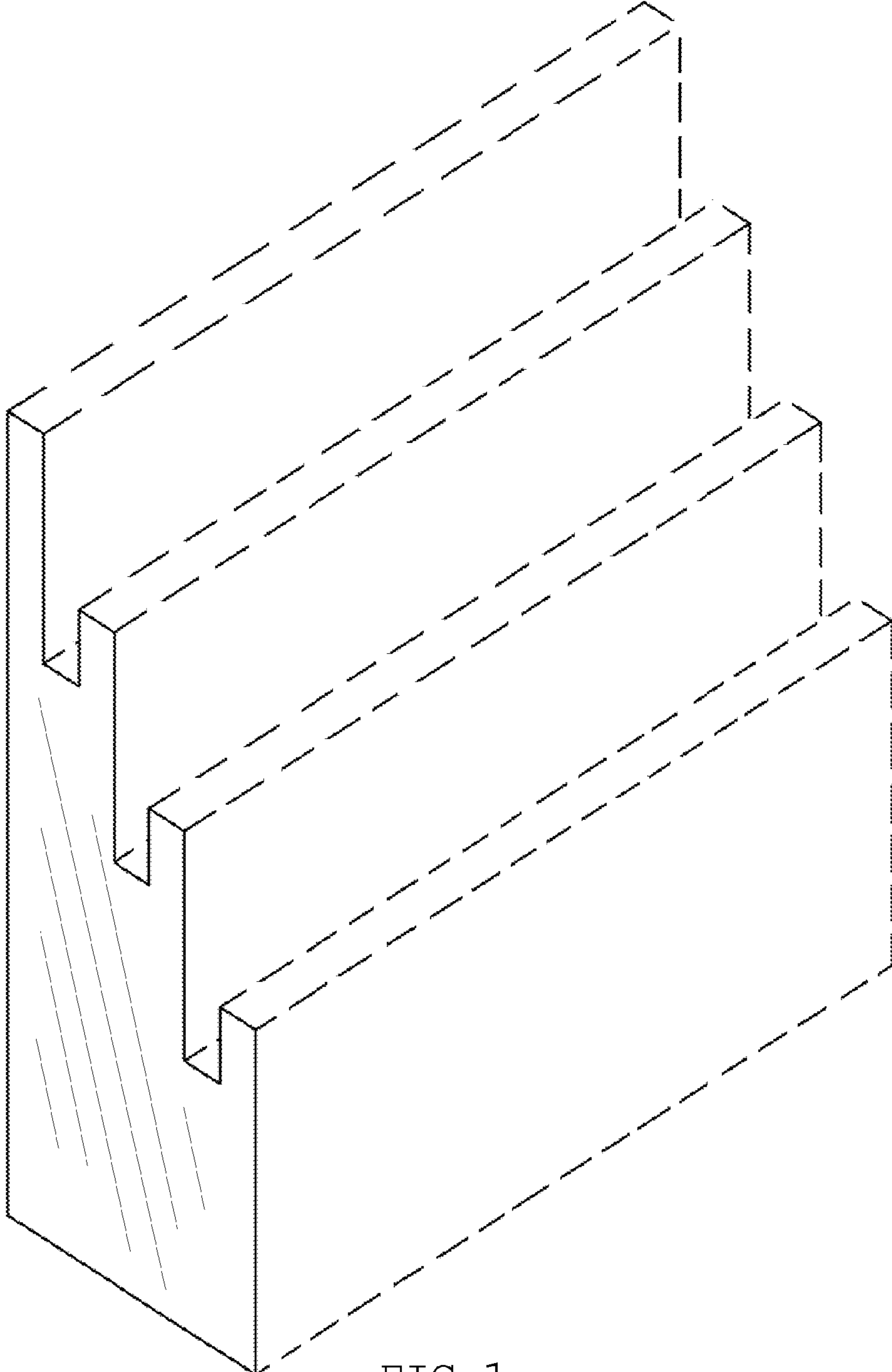


FIG. 1

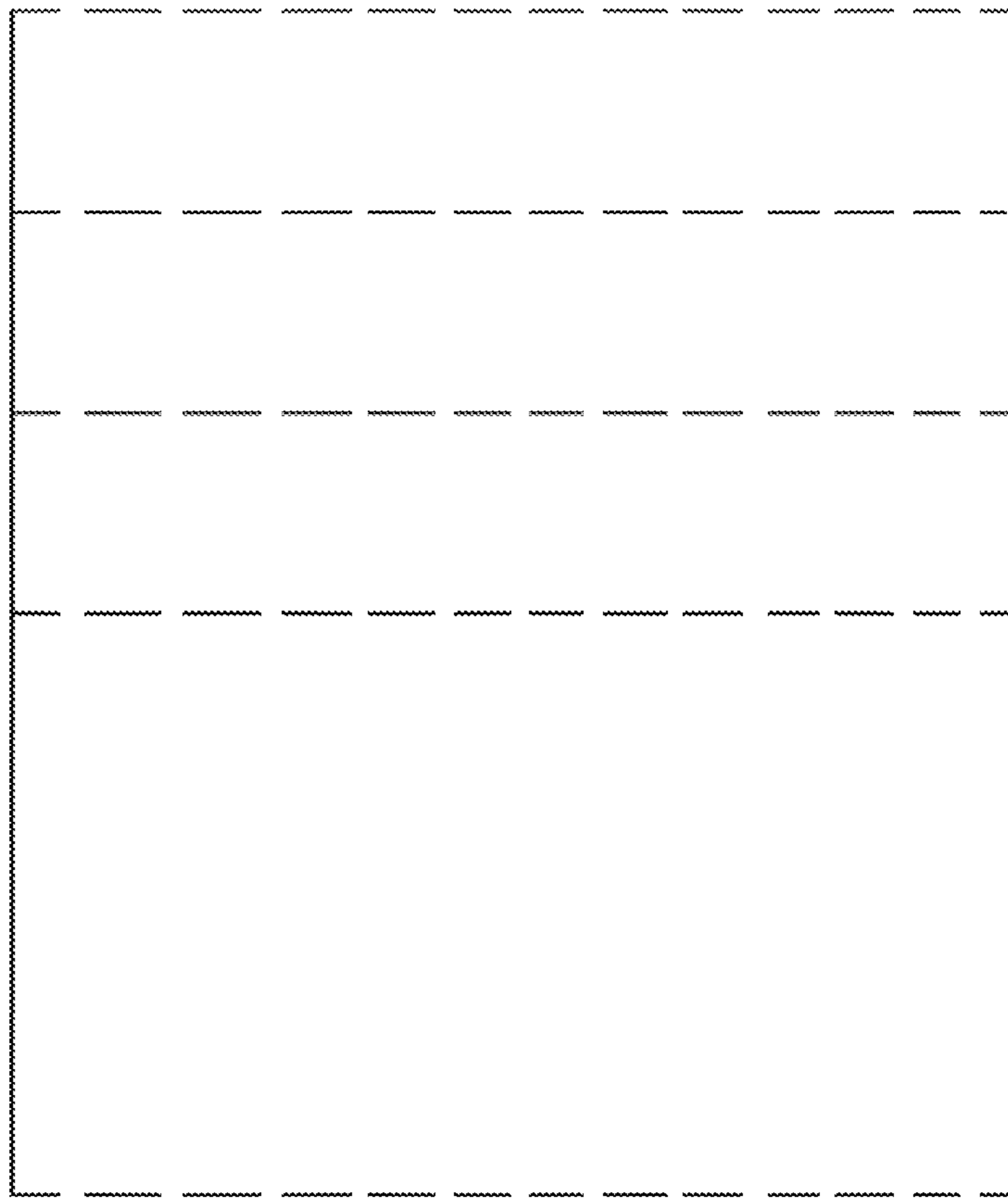


FIG. 2

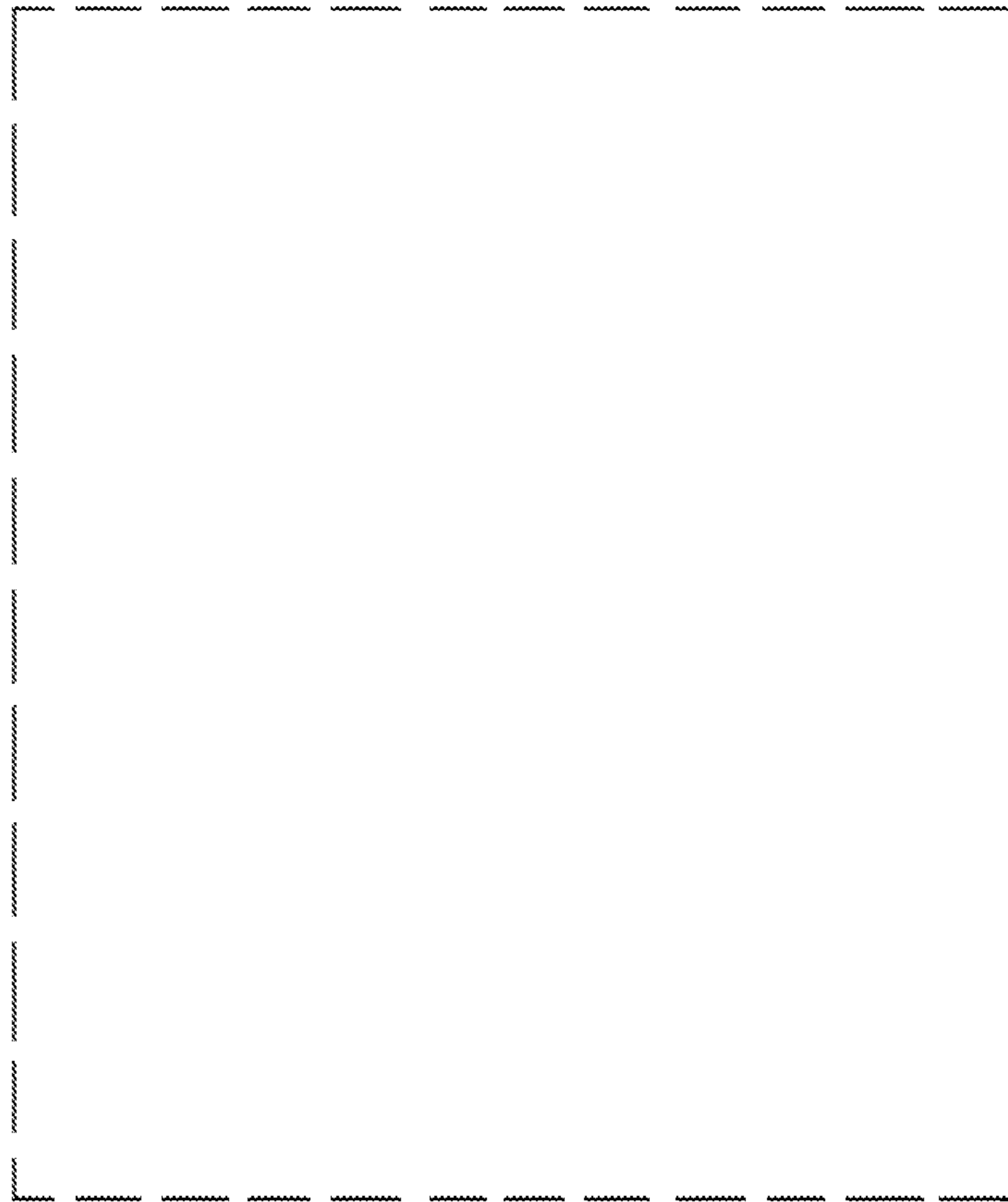


FIG. 3

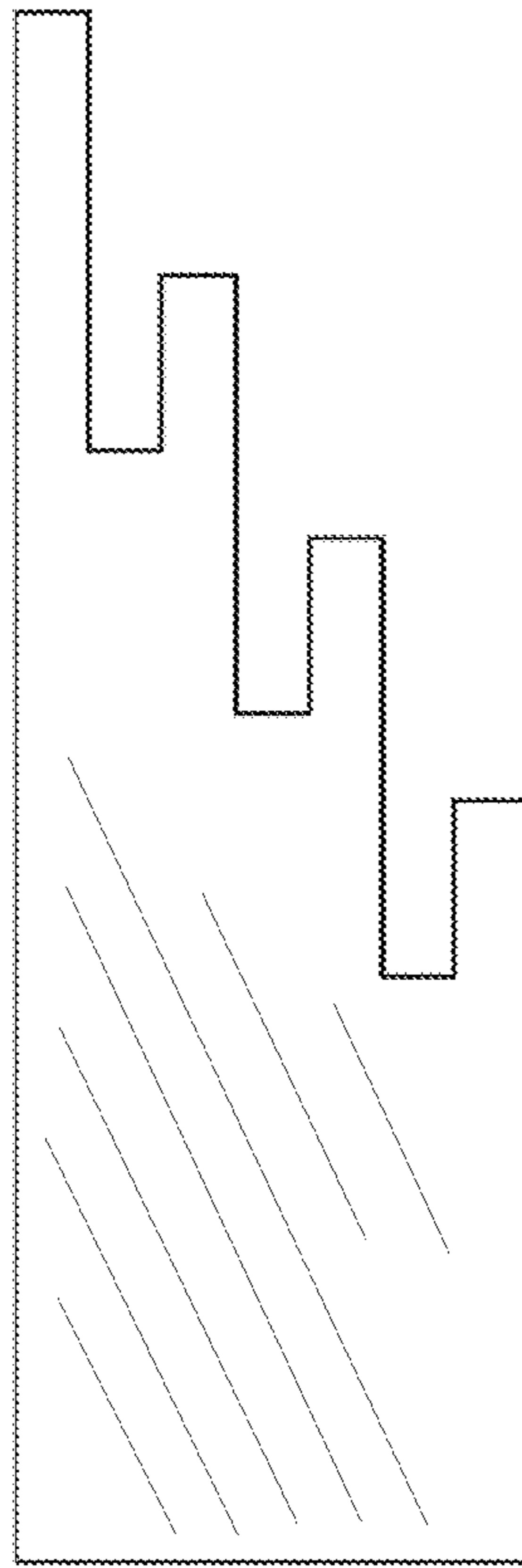


FIG. 4

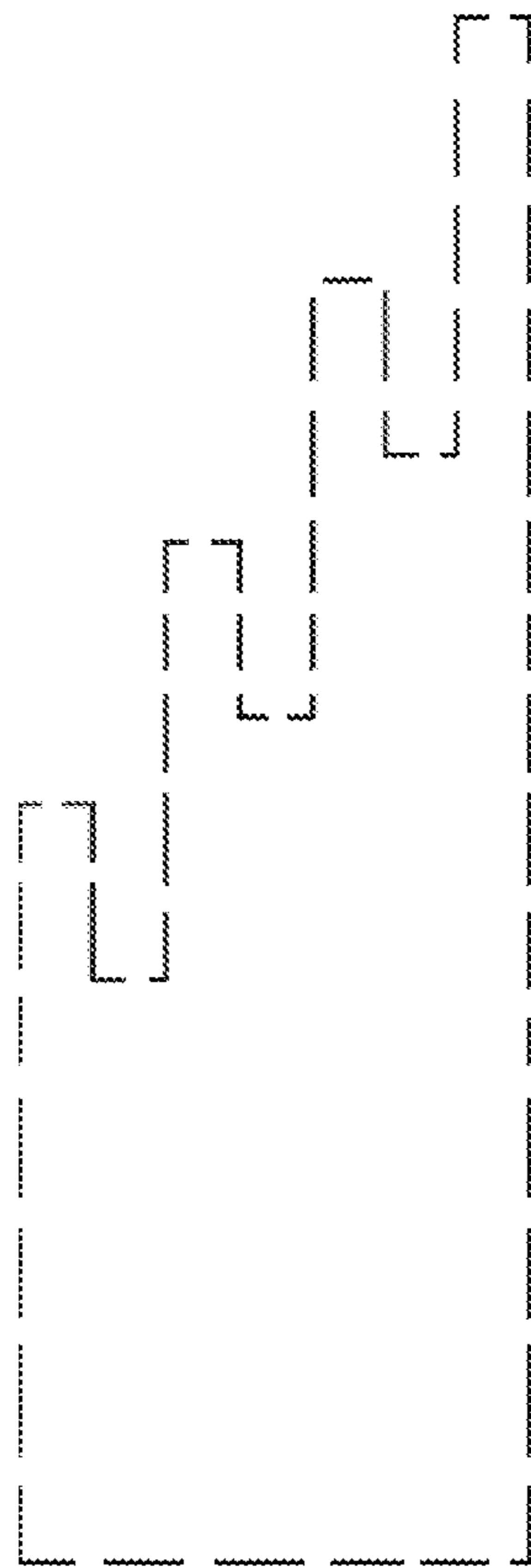


FIG. 5

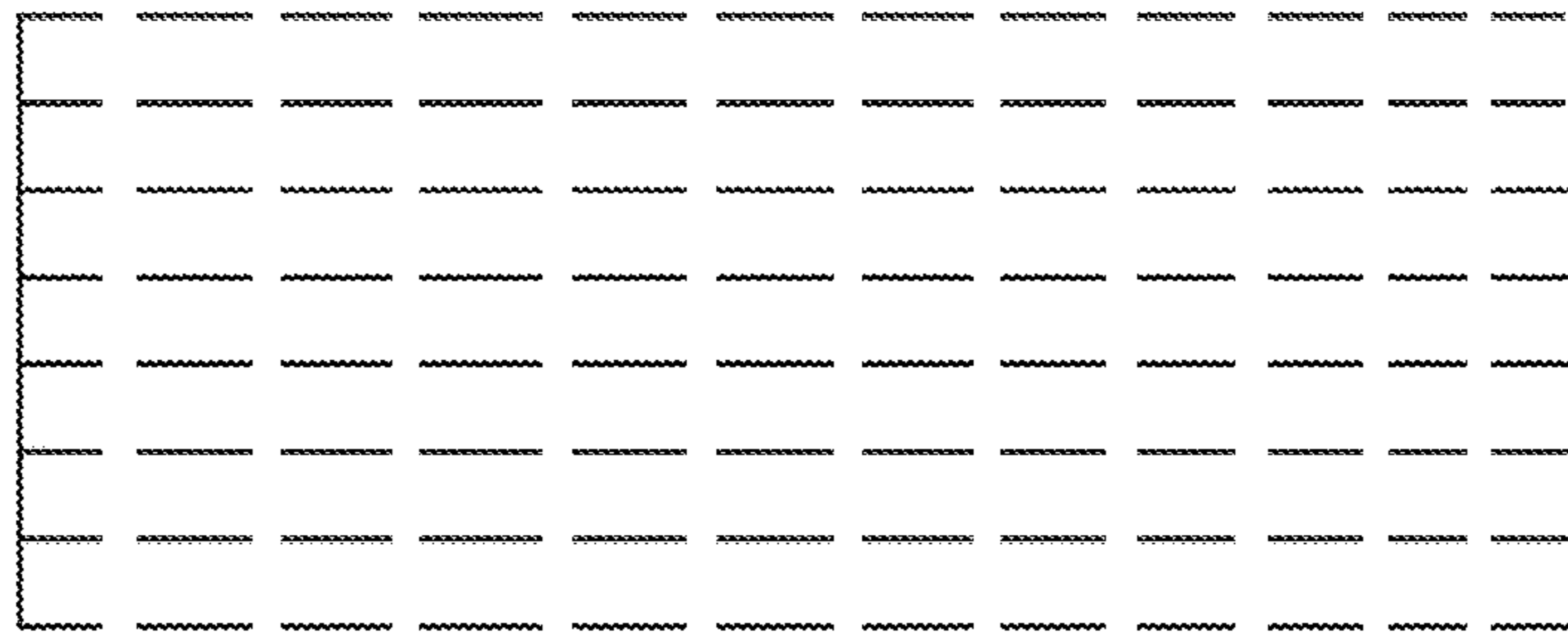


FIG. 6

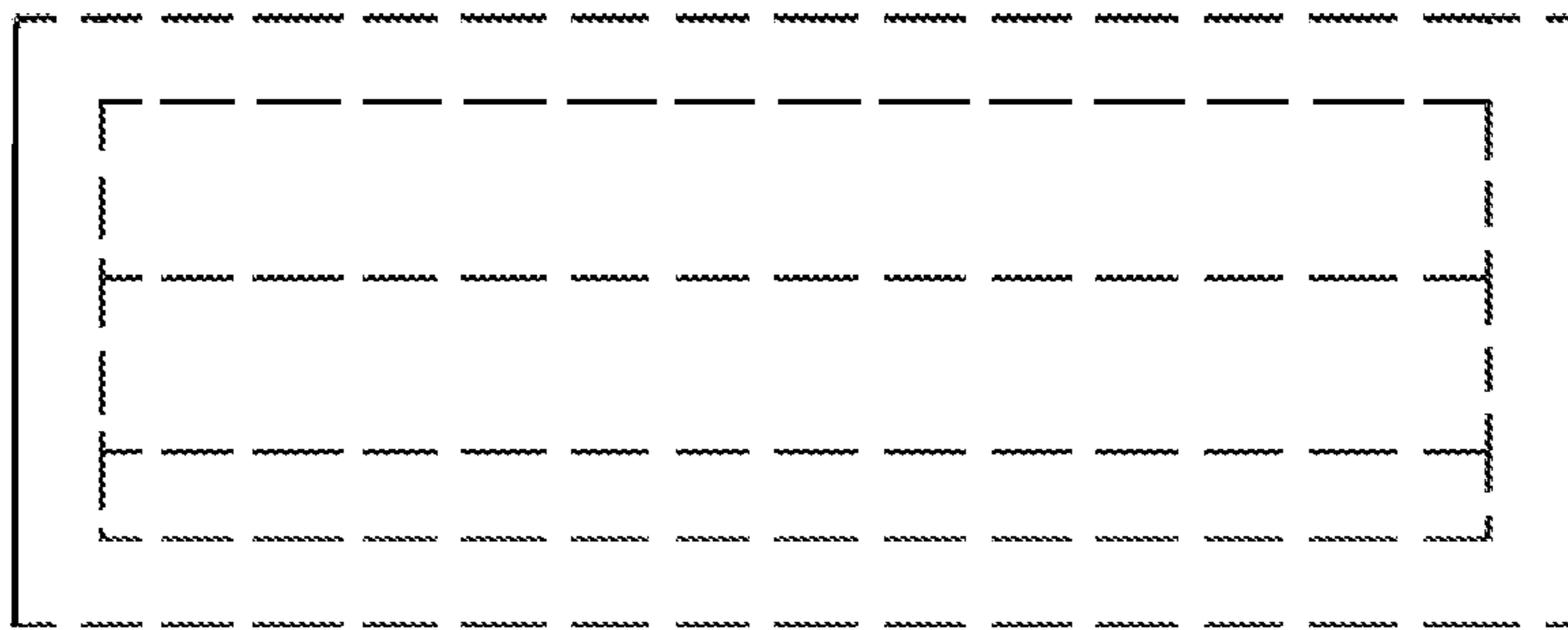


FIG. 7

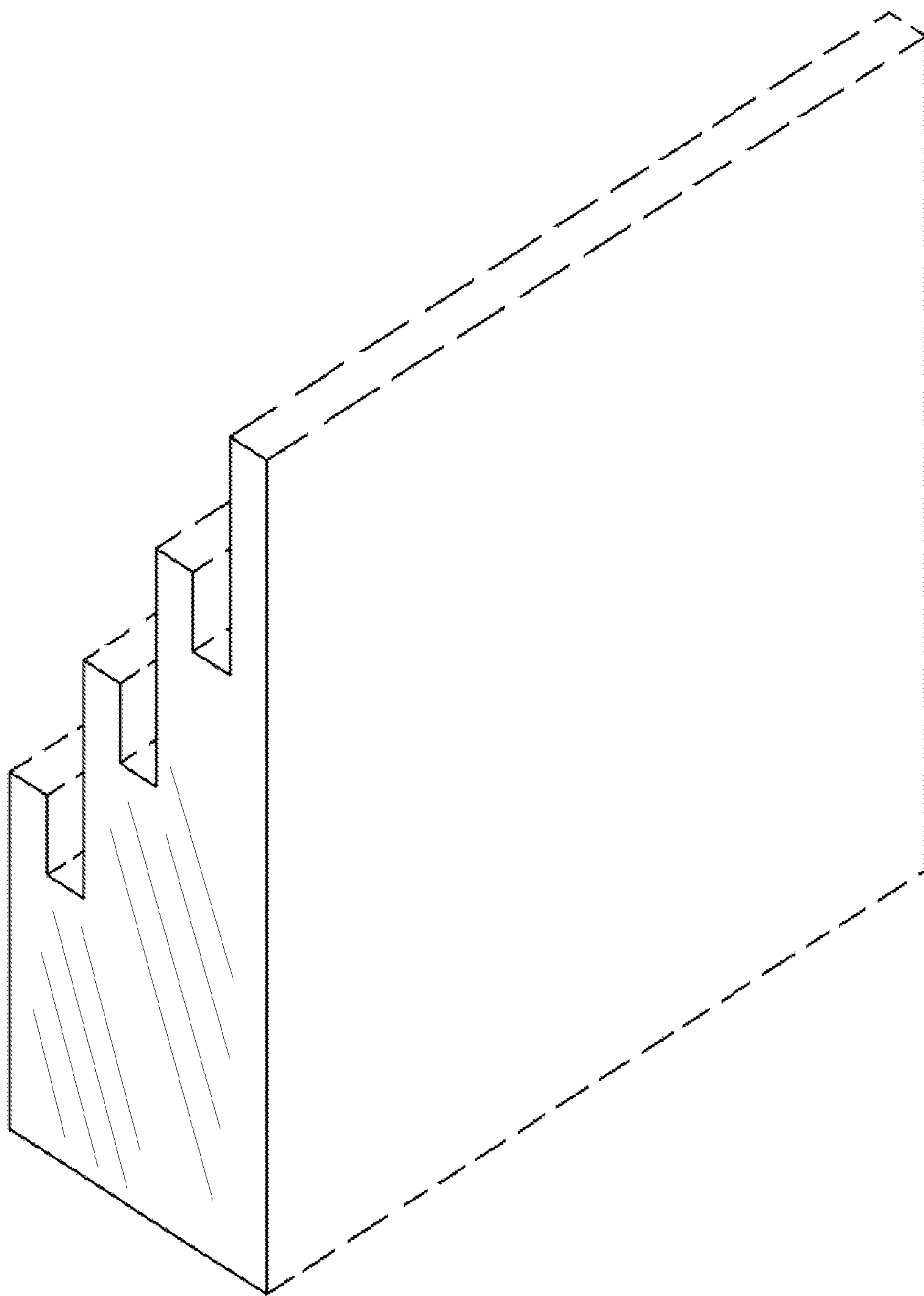


FIG. 8

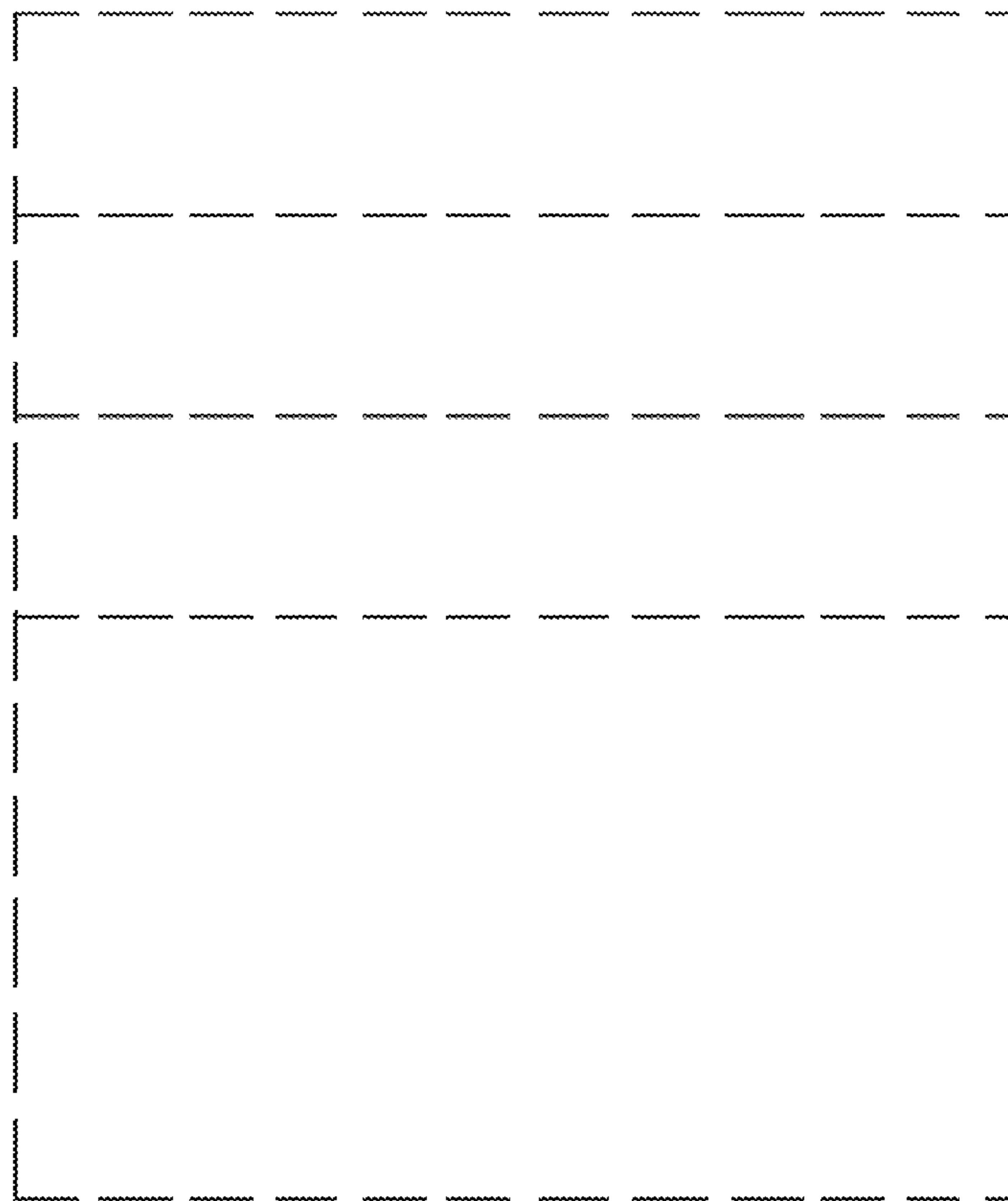


FIG. 9

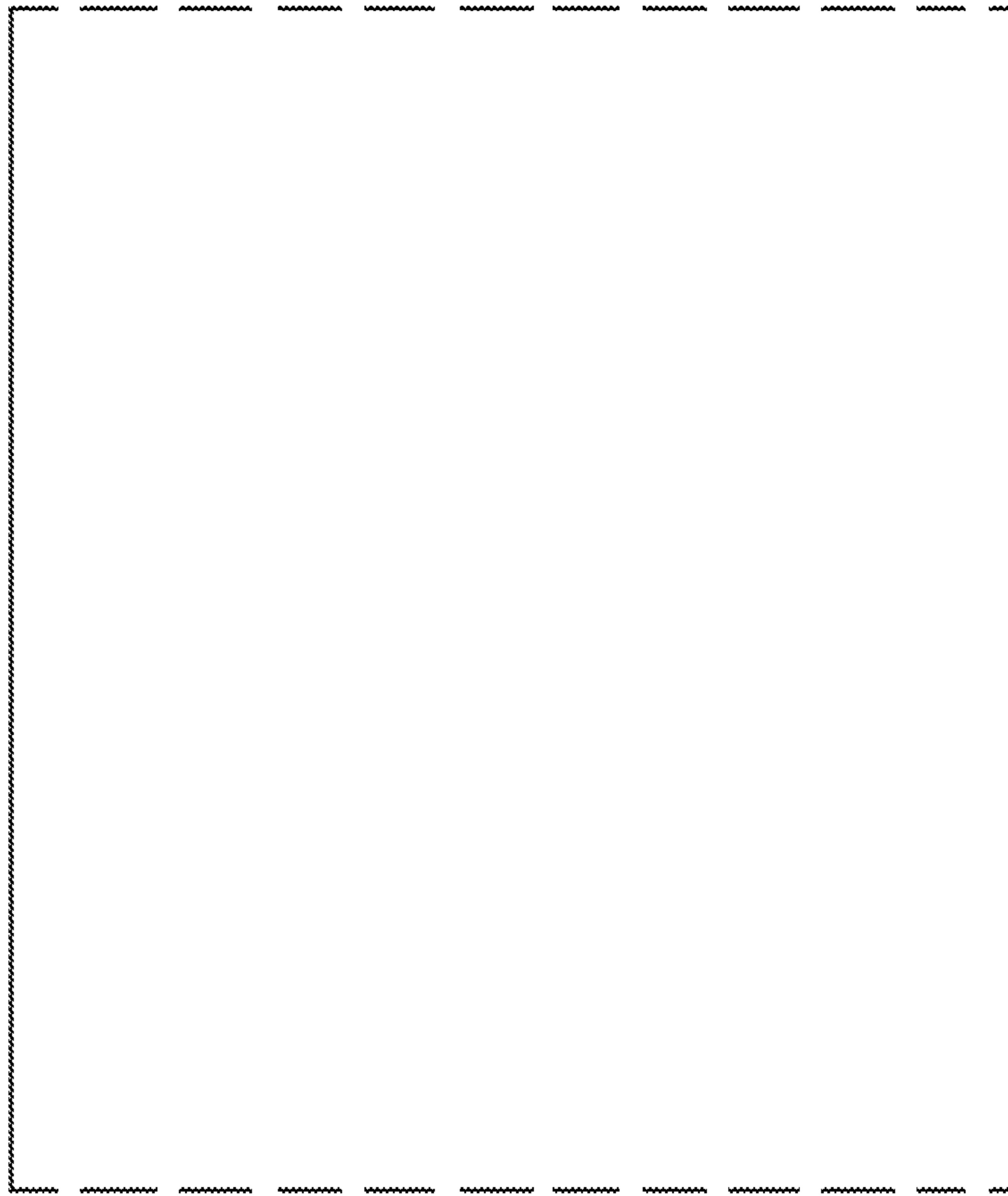


FIG. 10

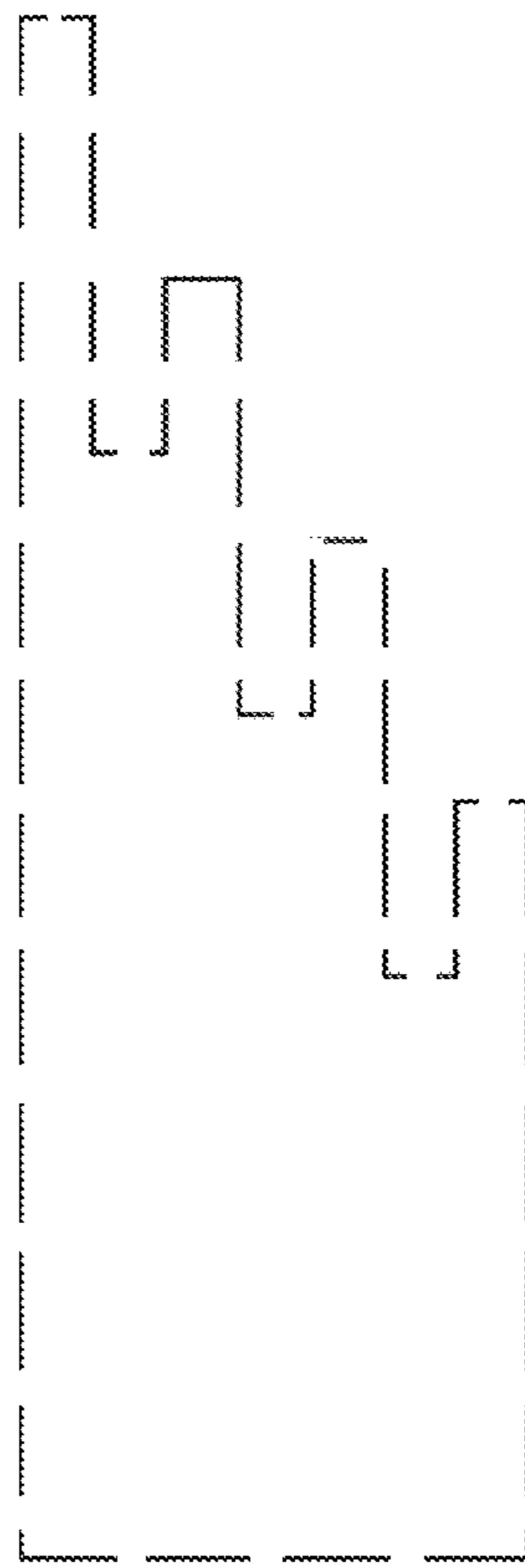


FIG. 11

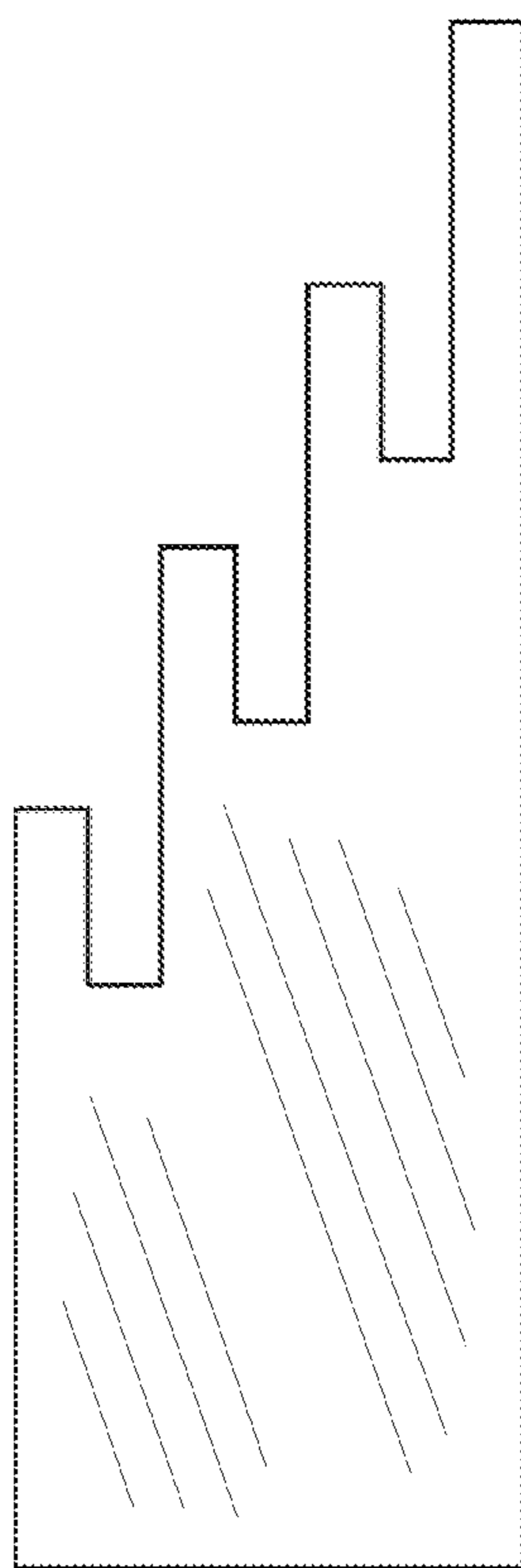


FIG. 12

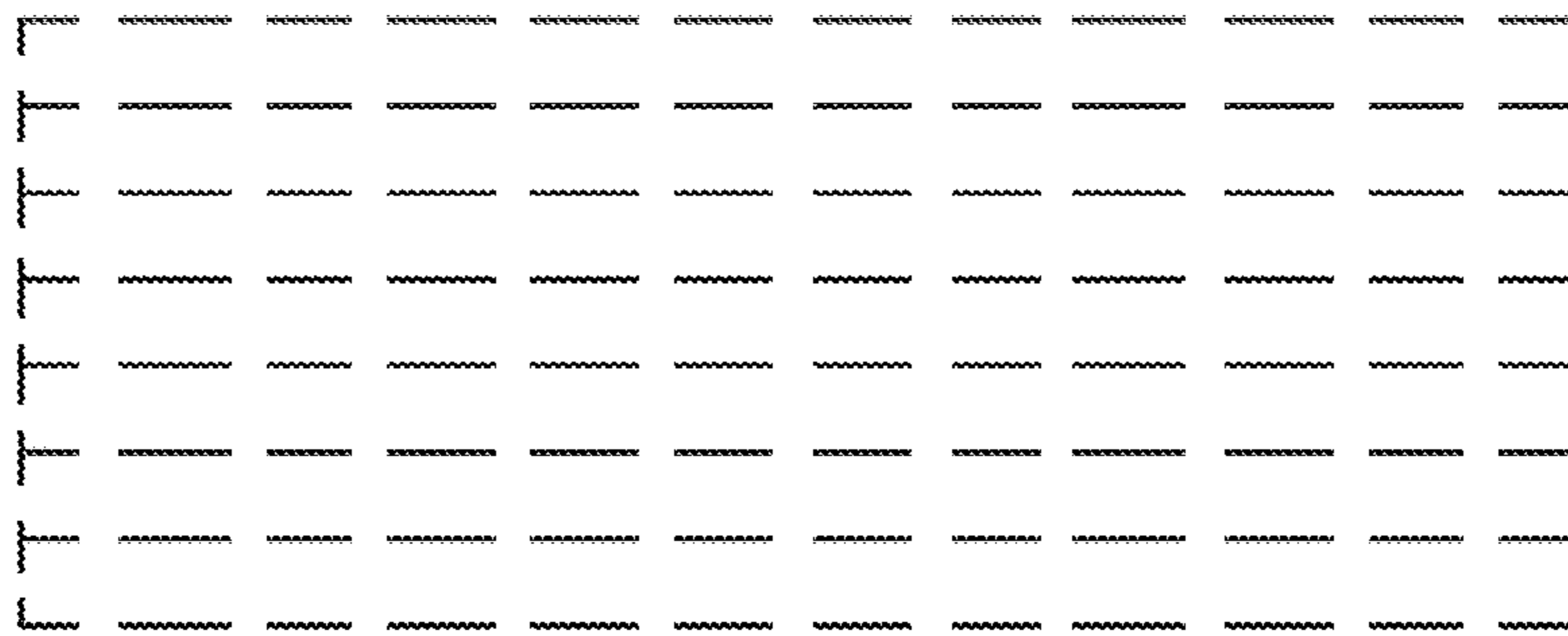


FIG. 13

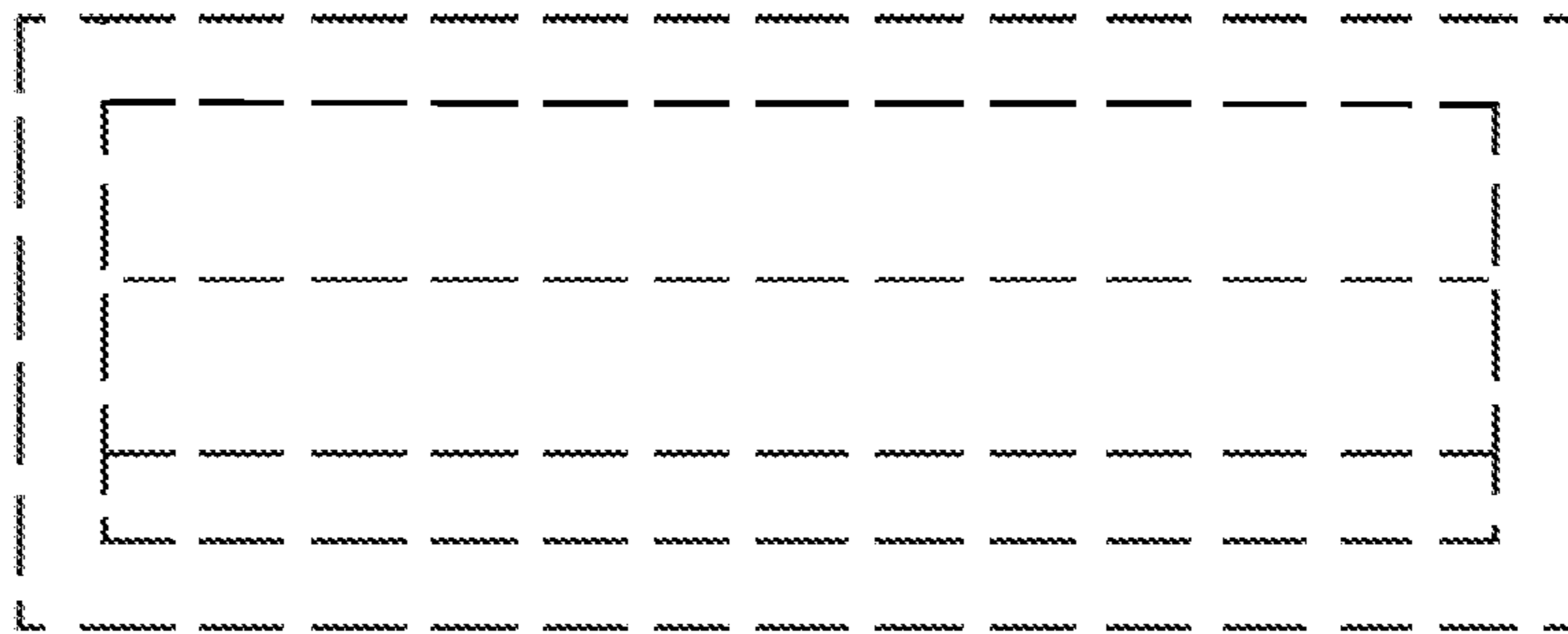


FIG. 14