



US00D665195S

(12) **United States Design Patent**
Hsieh

(10) **Patent No.:** **US D665,195 S**

(45) **Date of Patent:** **** Aug. 14, 2012**

(54) **TOOL RACK**

(76) Inventor: **Chih-Chien Hsieh**, Taiping (TW)

(**) Term: **14 Years**

(21) Appl. No.: **29/384,047**

(22) Filed: **Jan. 26, 2011**

(51) **LOC (9) Cl.** **06-04**

(52) **U.S. Cl.** **D6/449**

(58) **Field of Classification Search** D6/510,
D6/491, 300, 449, 467, 511, 445-446, 492;
D20/42; D19/37; D14/417, 447; 297/423.41;
343/872; 211/86.01, 13.1, 123
See application file for complete search history.

(56) **References Cited**

U.S. PATENT DOCUMENTS

D366,764 S *	2/1996	Hunt	D6/300
5,536,071 A *	7/1996	Kraftick	297/423.41
D385,262 S *	10/1997	Hughes	D14/417
D477,767 S *	7/2003	Burdett et al.	D8/330
D529,960 S *	10/2006	Cox	D19/37
D577,524 S *	9/2008	Frazier	D6/510
D588,201 S *	3/2009	Kohagen et al.	D20/42
D644,647 S *	9/2011	Sykes	D14/447

2010/0295748 A1* 11/2010 Bradley et al. 343/872
* cited by examiner

Primary Examiner — Philip S Hyder

Assistant Examiner — Sydney Buffalow

(74) *Attorney, Agent, or Firm* — Egbert Law Offices PLLC

(57) **CLAIM**

The ornamental design for a tool rack, as shown and described.

DESCRIPTION

FIG. 1 is an upper perspective view of the tool rack showing my design.

FIG. 2 is a front elevation view thereof;

FIG. 3 is back elevation view thereof;

FIG. 4 is a side elevation view thereof;

FIG. 5 is an opposite side elevation view thereof;

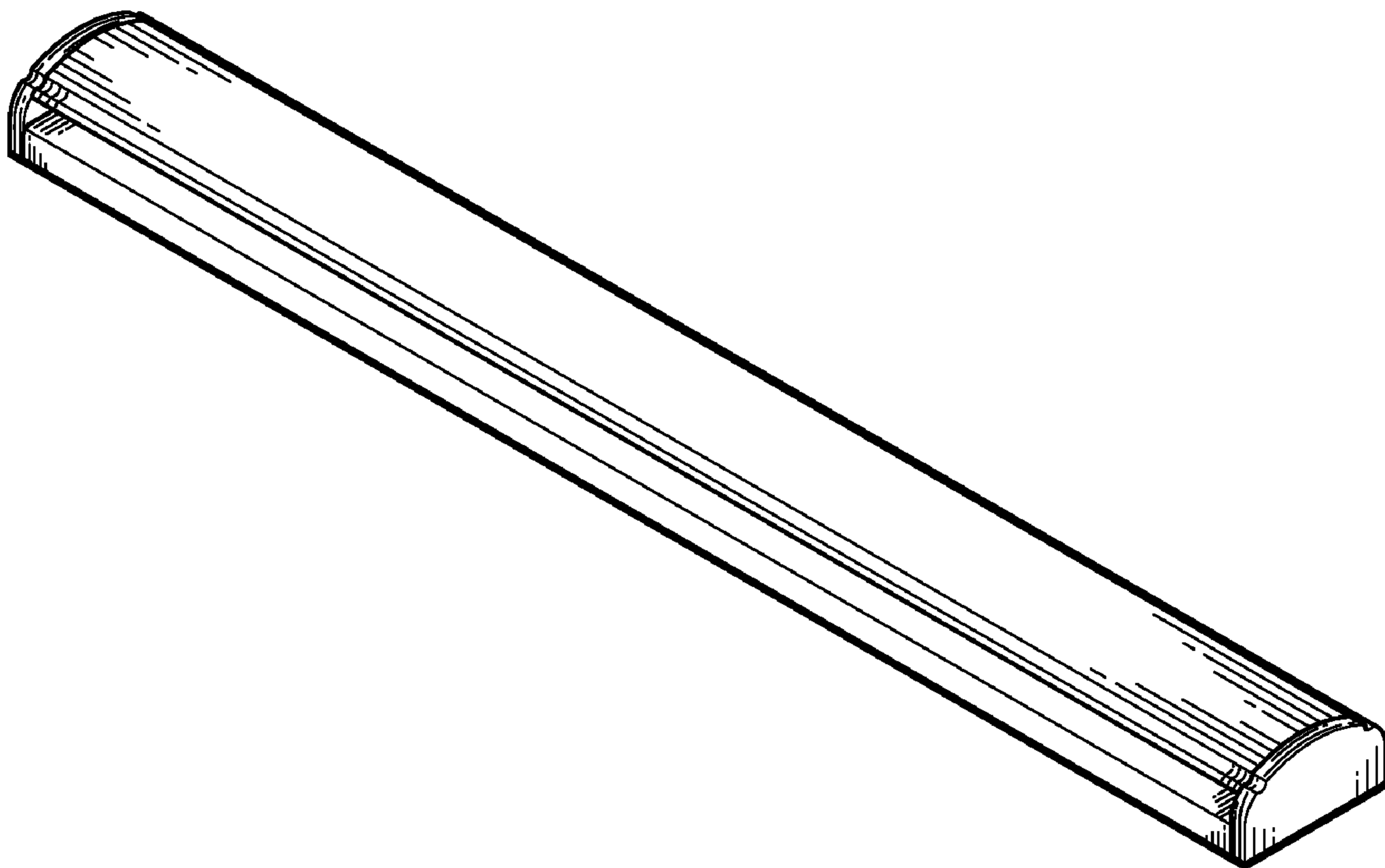
FIG. 6 is a top plan view thereof;

FIG. 7 is a bottom plan view thereof; and,

FIG. 8 is a second upper perspective view showing tool attachments.

The broken lines shown in FIG. 8 are for environmental purposes only and form no part of the claimed design.

1 Claim, 7 Drawing Sheets



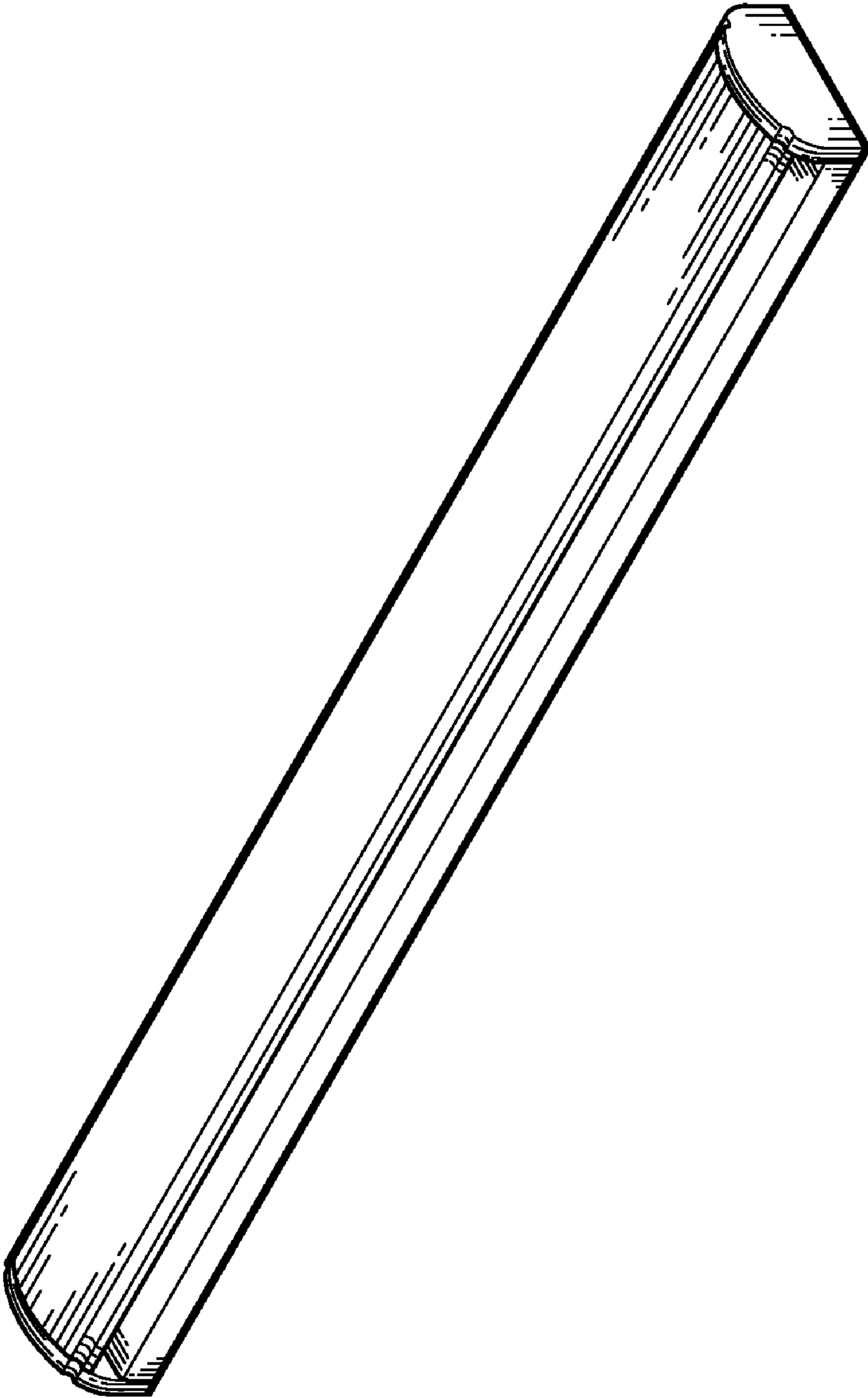


FIG.1

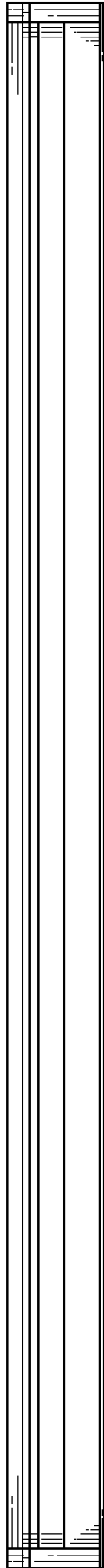


FIG.2

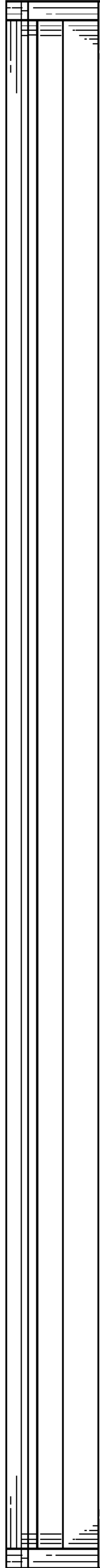


FIG.3

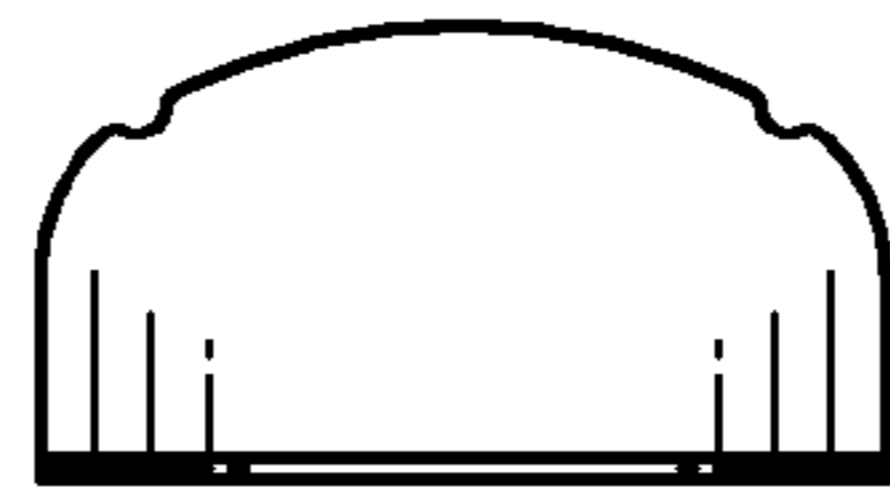


FIG.4

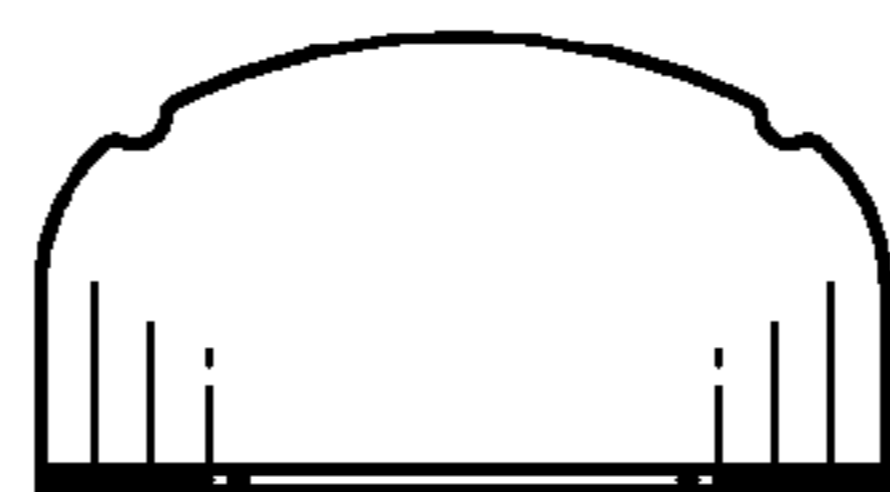


FIG.5

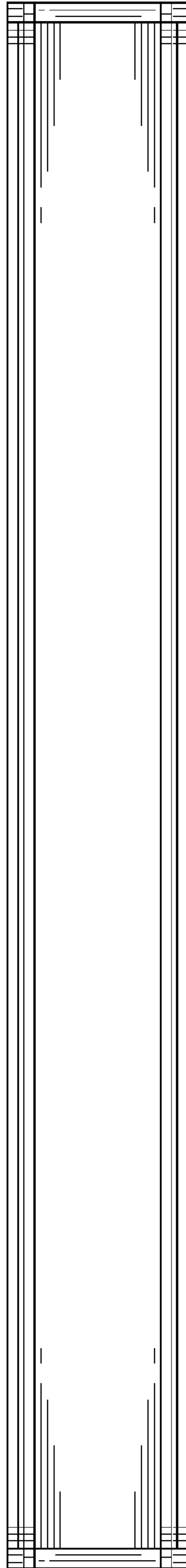


FIG. 6



FIG.7

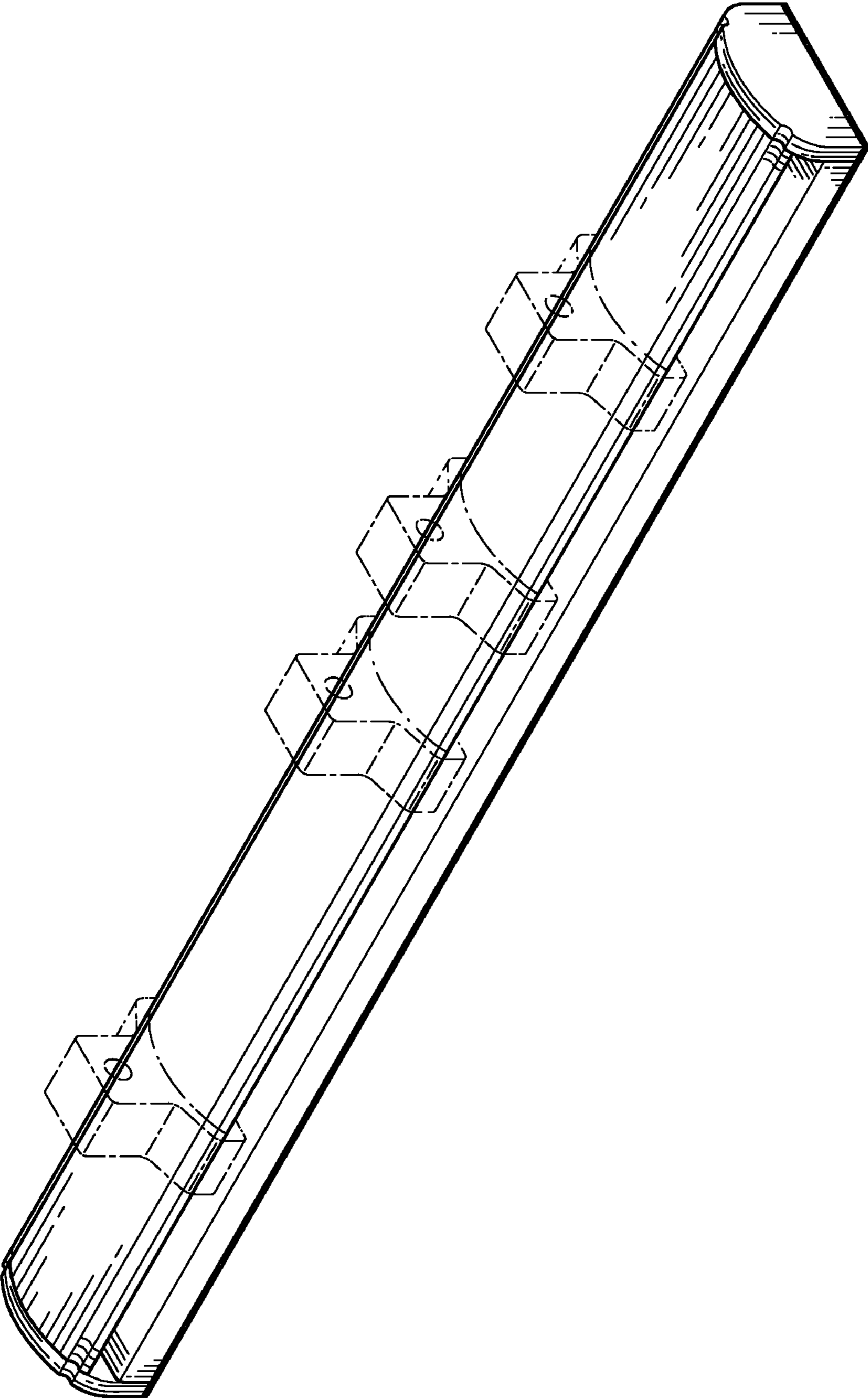


FIG.8