

US00D665191S

(12) **United States Design Patent**
Yamamoto

(10) **Patent No.:** **US D665,191 S**
(45) **Date of Patent:** **** Aug. 14, 2012**

(54) **TABLE**

(75) Inventor: **Takayuki Yamamoto**, Kanagawa (JP)

(73) Assignee: **Okamura Corporation**, Kanagawa (JP)

(**) Term: **14 Years**

(21) Appl. No.: **29/387,367**

(22) Filed: **Mar. 11, 2011**

(30) **Foreign Application Priority Data**

Sep. 13, 2010 (JP) 2010-022071
Sep. 13, 2010 (JP) 2010-022072
Sep. 13, 2010 (JP) 2010-022073

(51) **LOC (9) Cl.** **06-03**

(52) **U.S. Cl.** **D6/429; D6/482; D6/486**

(58) **Field of Classification Search** D6/480-489,
D6/429-431, 495-499; 108/150, 152, 153.1,
108/157.1, 161, 144.11, 147.19, 145-147;
248/188, 188.1, 188.7, 188.8

See application file for complete search history.

(56) **References Cited**

U.S. PATENT DOCUMENTS

D165,584 S * 1/1952 Johnson D6/482
5,823,120 A * 10/1998 Holmquist 108/147

D414,634 S * 10/1999 Smith et al. D6/511
D441,224 S * 5/2001 Scheper et al. D6/486
D463,168 S * 9/2002 Goodworth D6/486
D480,900 S * 10/2003 Tolfsen et al. D6/503
D615,324 S * 5/2010 Yamamoto D6/482
D640,486 S * 6/2011 Saelid D6/486

* cited by examiner

Primary Examiner — Janice Seeger

(74) *Attorney, Agent, or Firm* — Sughrue Mion, PLLC

(57) **CLAIM**

The ornamental design for a table, as shown and described.

DESCRIPTION

FIG. 1 is a perspective view of a table according to our new ornamental design.

FIG. 2 is a front elevation view thereof.

FIG. 3 is a right side elevation view thereof. A left side elevation view is omitted because it is symmetrical to the right side elevation view.

FIG. 4 is a rear elevation view thereof.

FIG. 5 is a top plan view thereof.

FIG. 6 is a bottom plan view thereof.

FIG. 7 is a sectional view of Line A-A in FIG. 2.

FIG. 8 is a sectional view of Line B-B in FIG. 2.

FIG. 9 is a sectional view of Line C-C in FIG. 2.

FIG. 10 is a right side elevation view thereof with the top board lifted; and,

FIG. 11 is a perspective view thereof with the top board lifted.

1 Claim, 11 Drawing Sheets

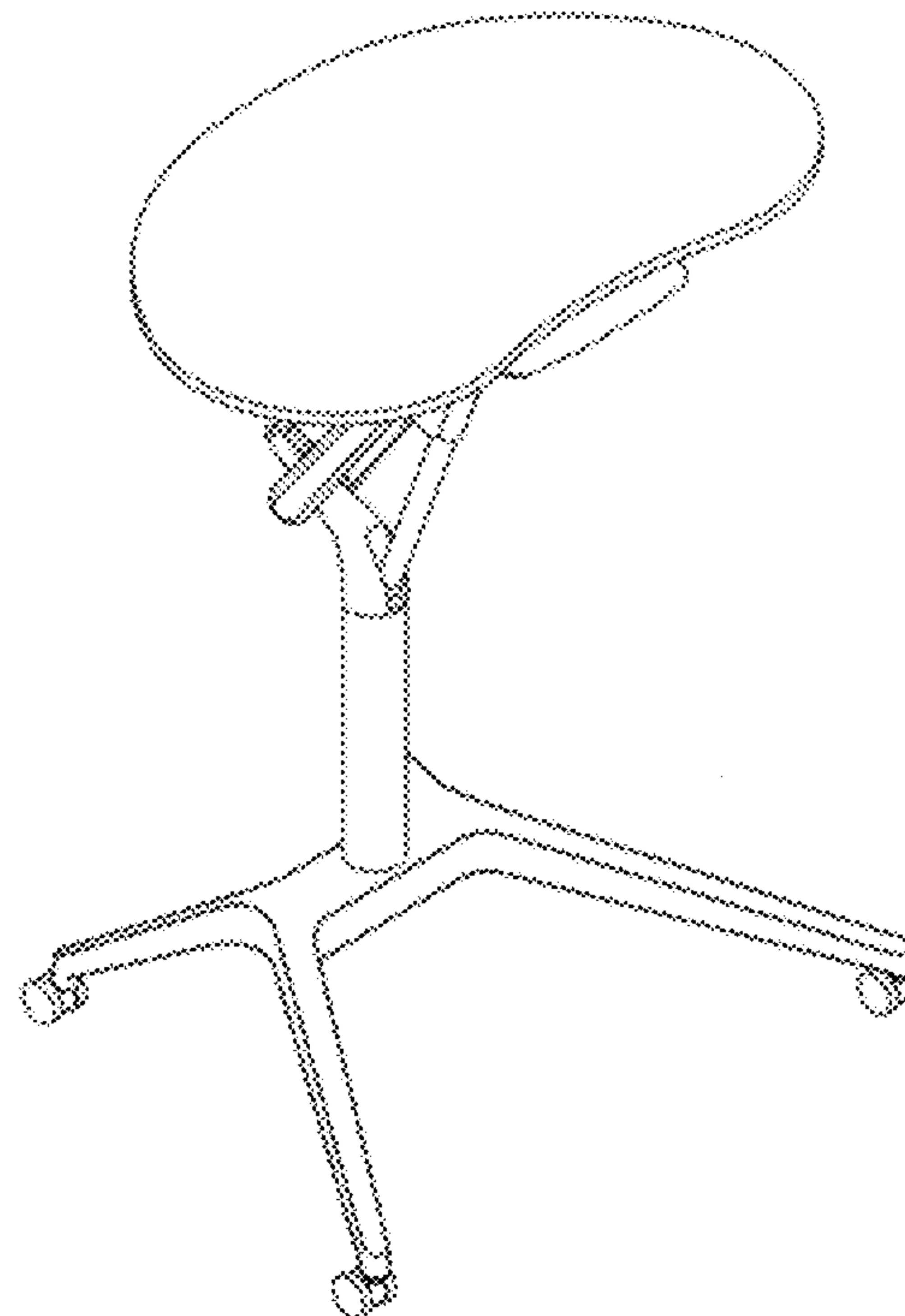
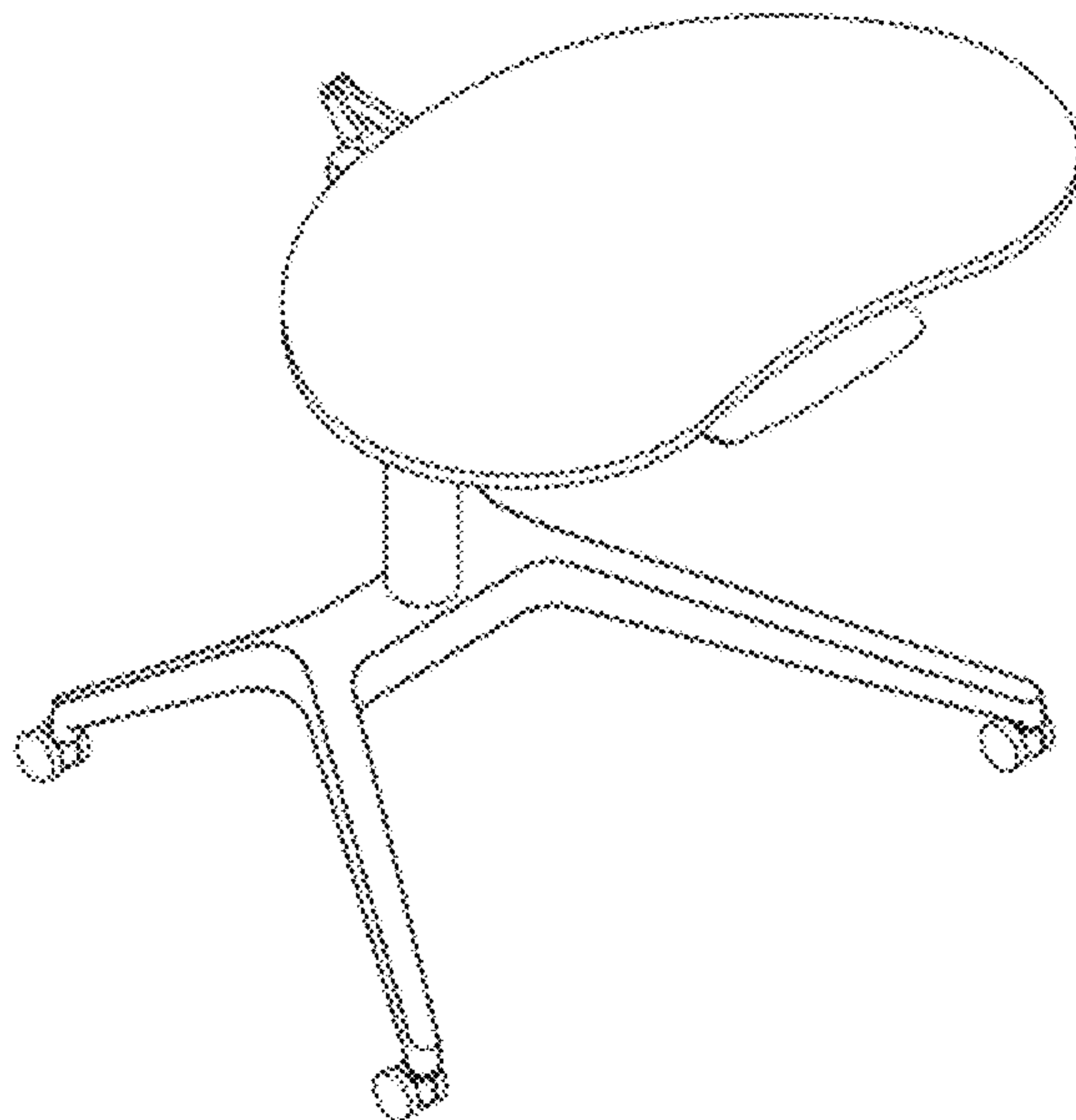


FIG. 1

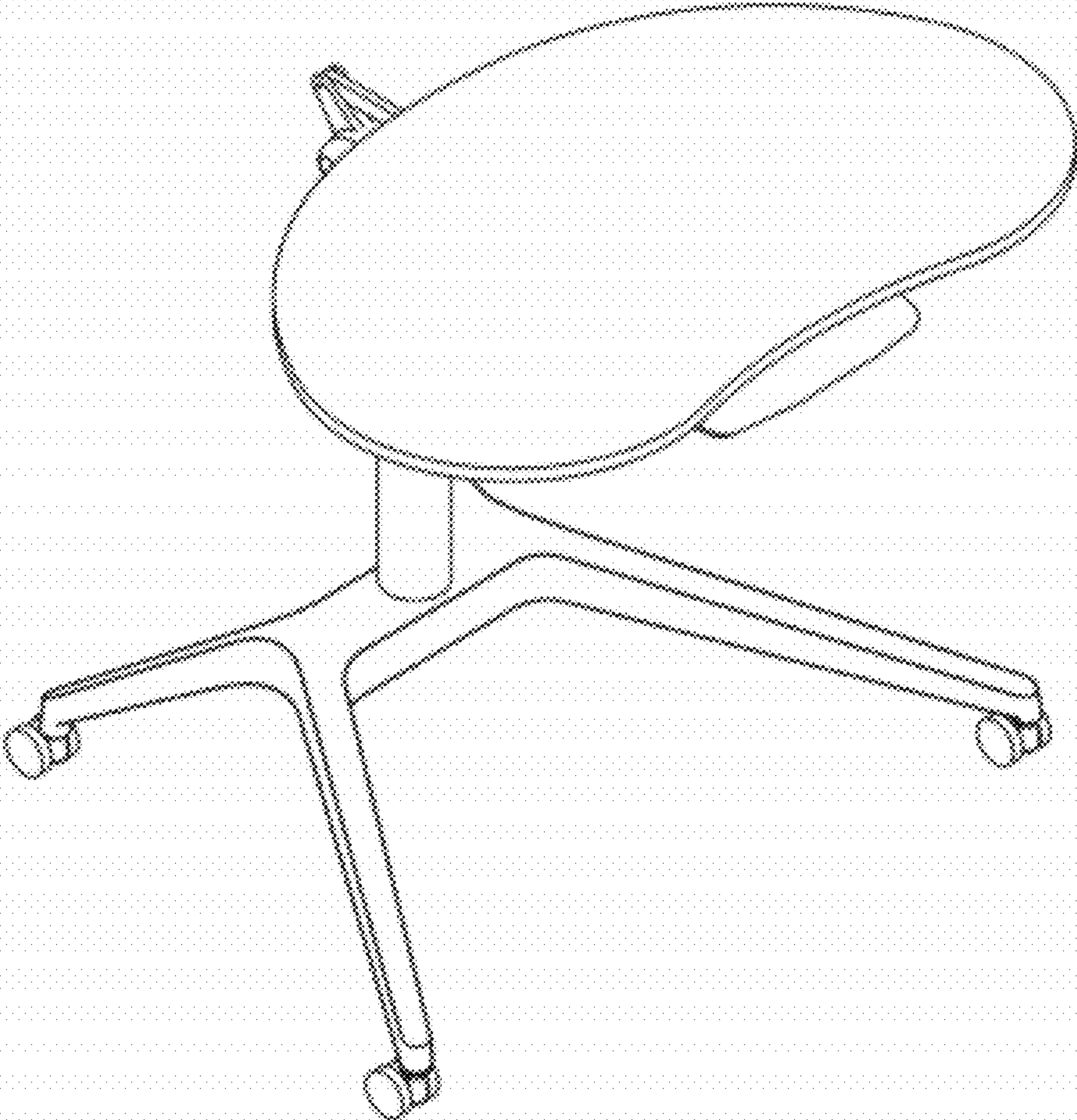


FIG. 2

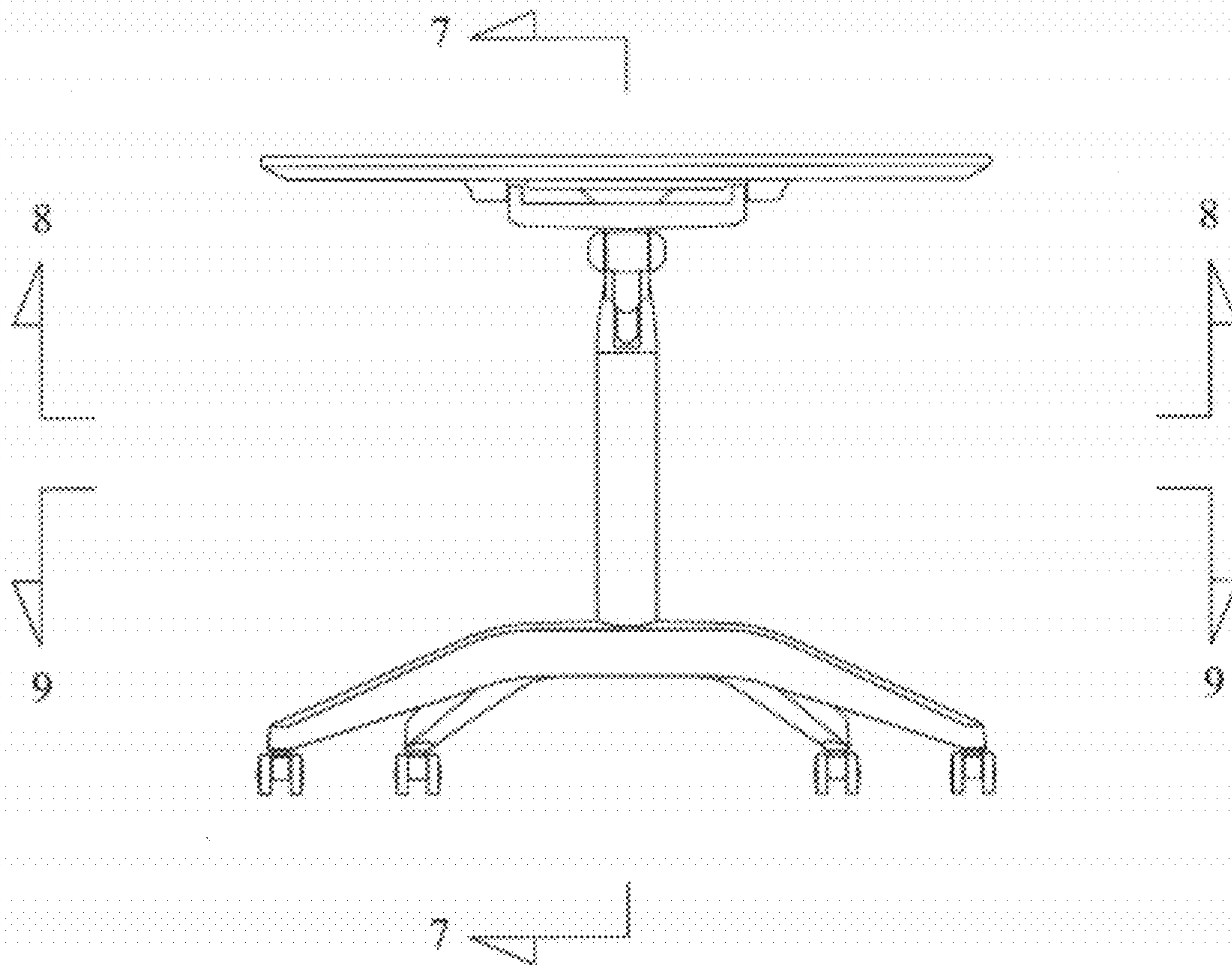


FIG. 3

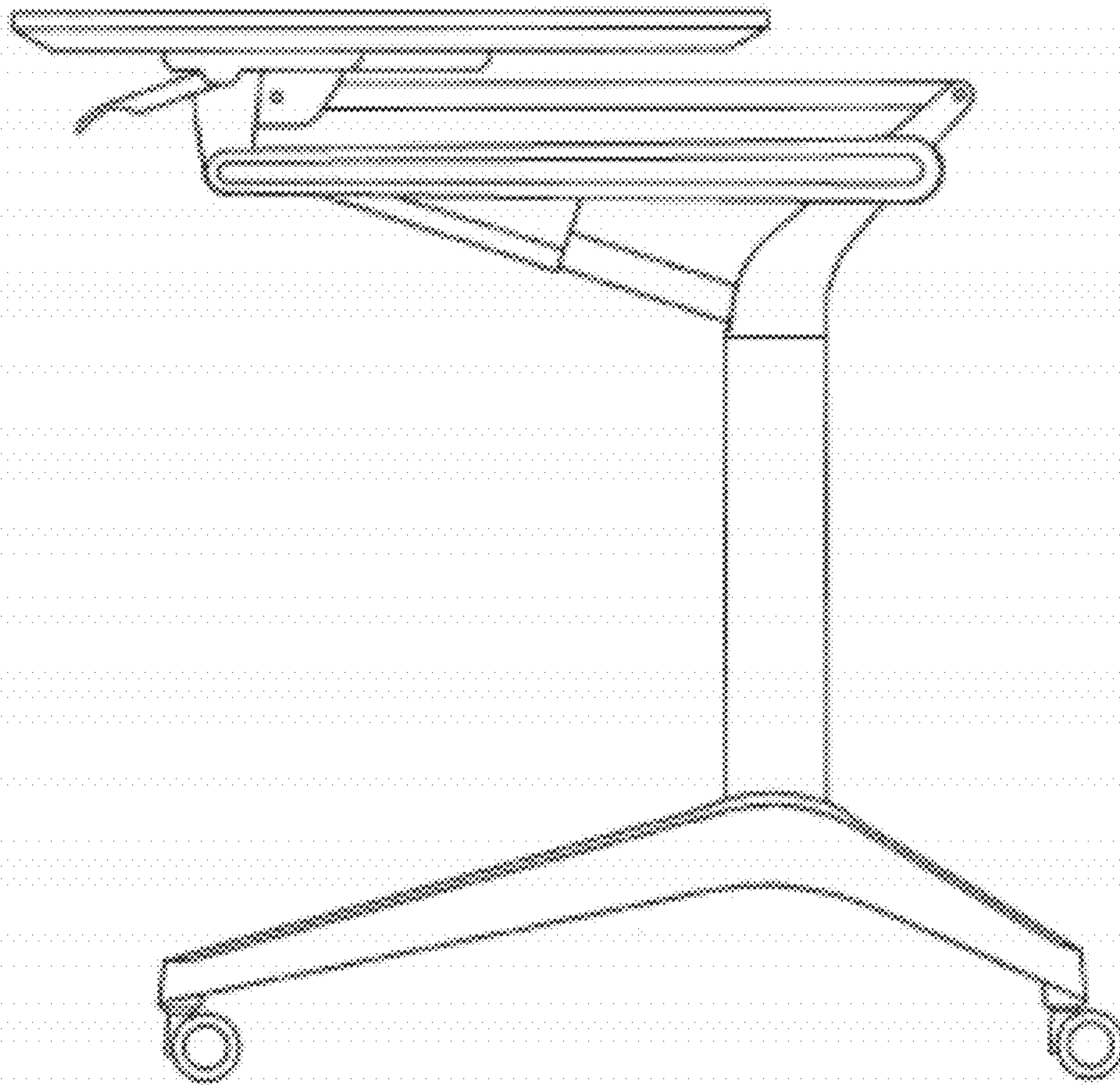


FIG. 4

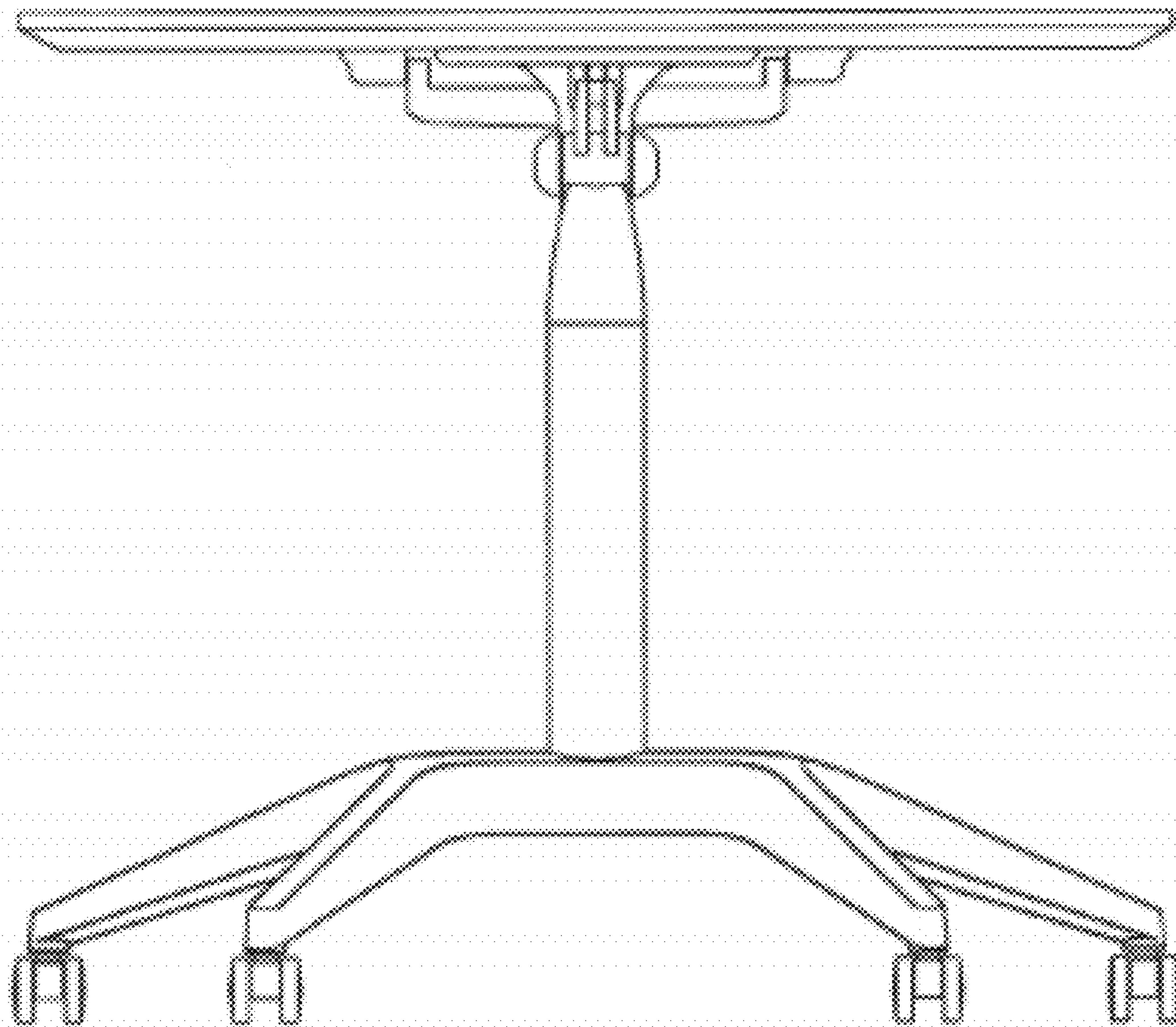


FIG. 5

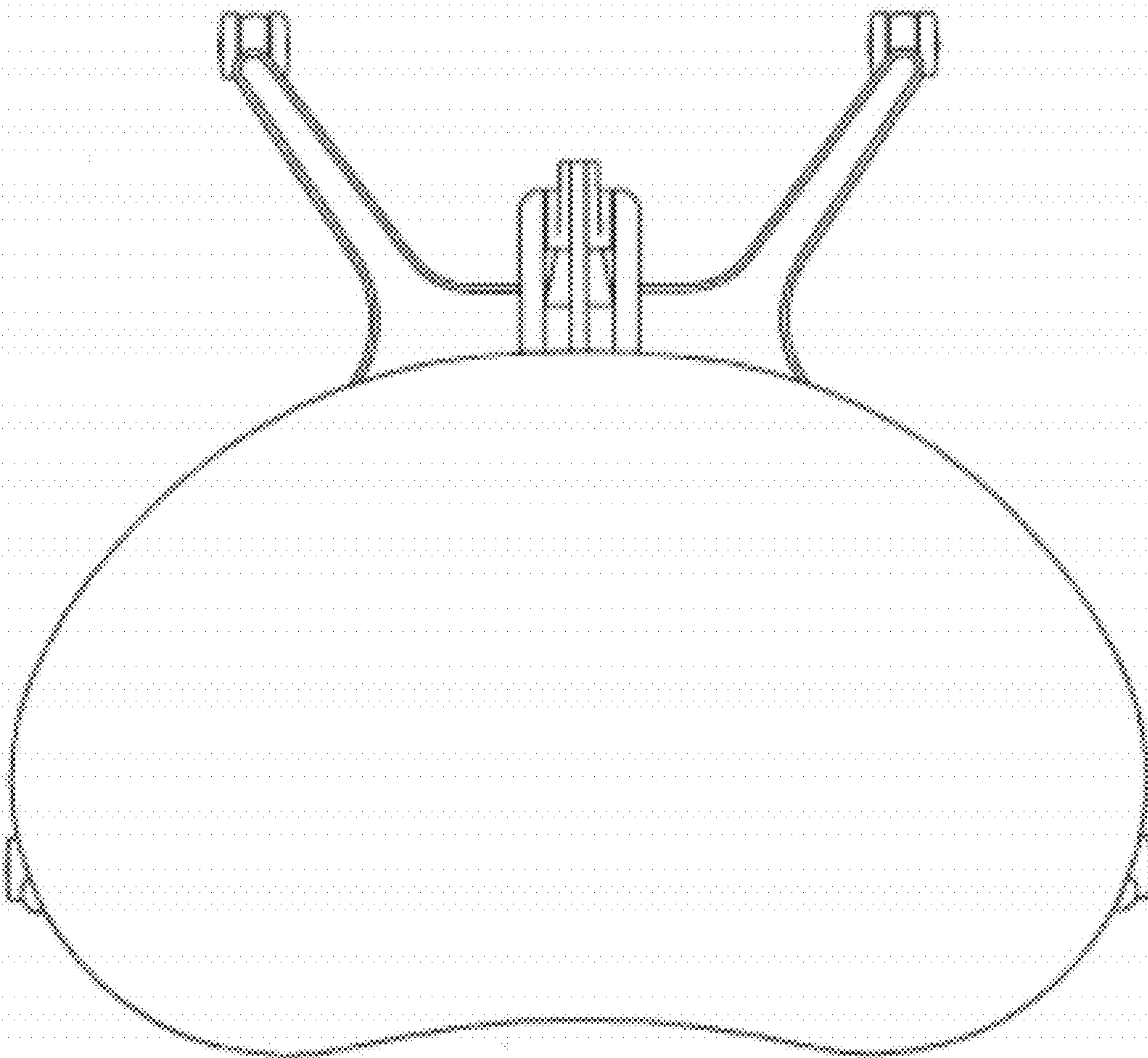


FIG. 6

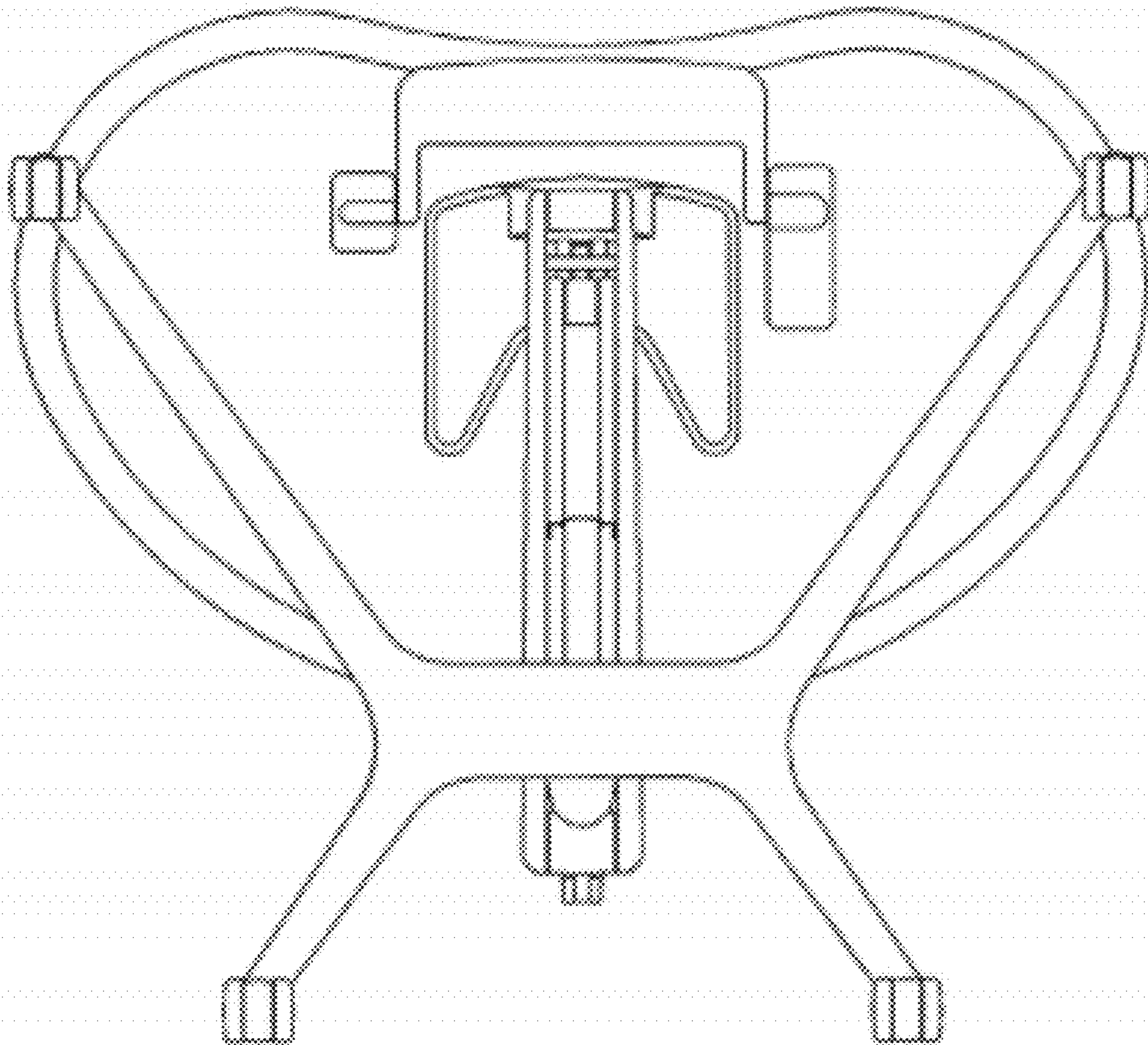


FIG. 7

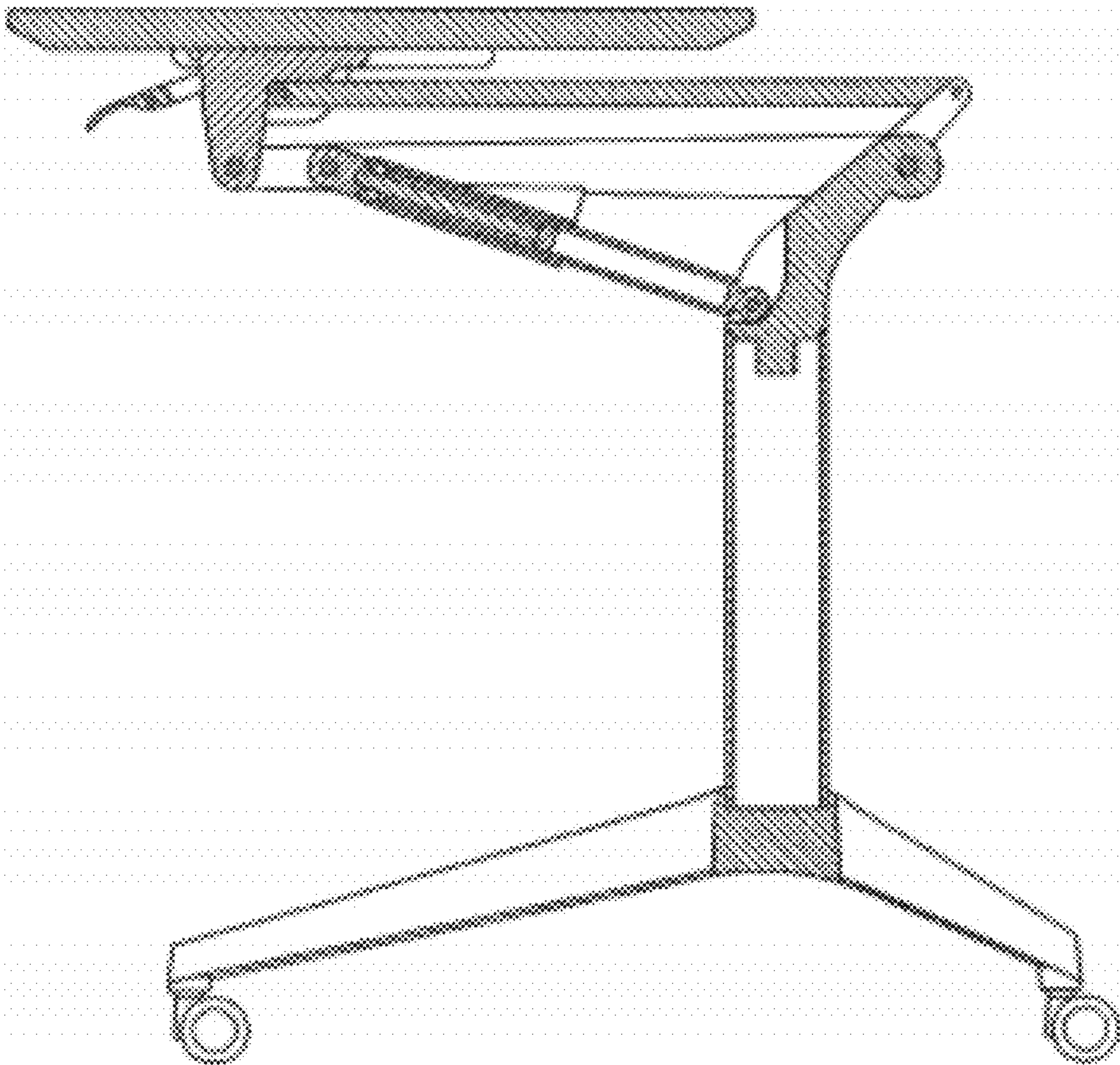


FIG. 8

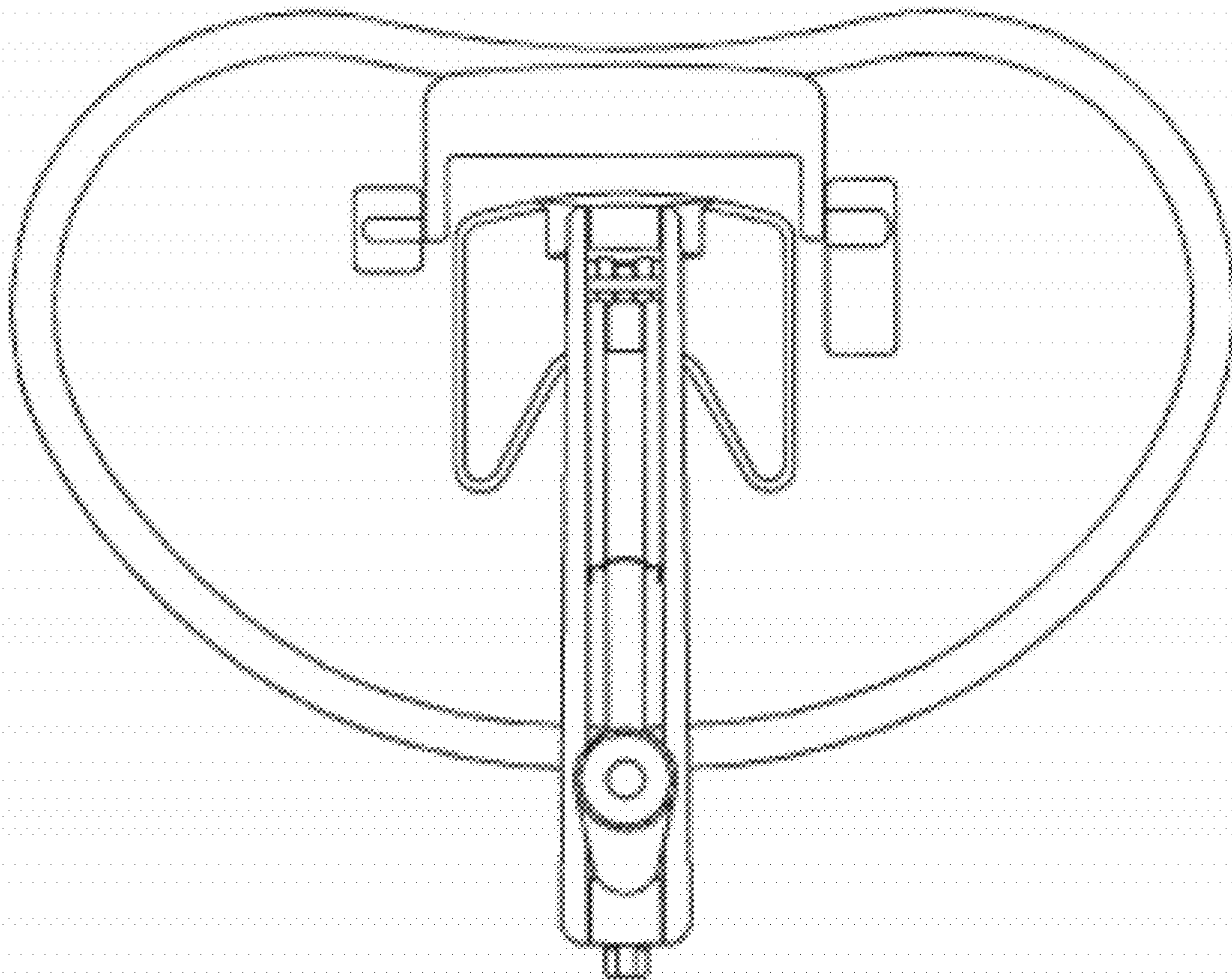


FIG. 9

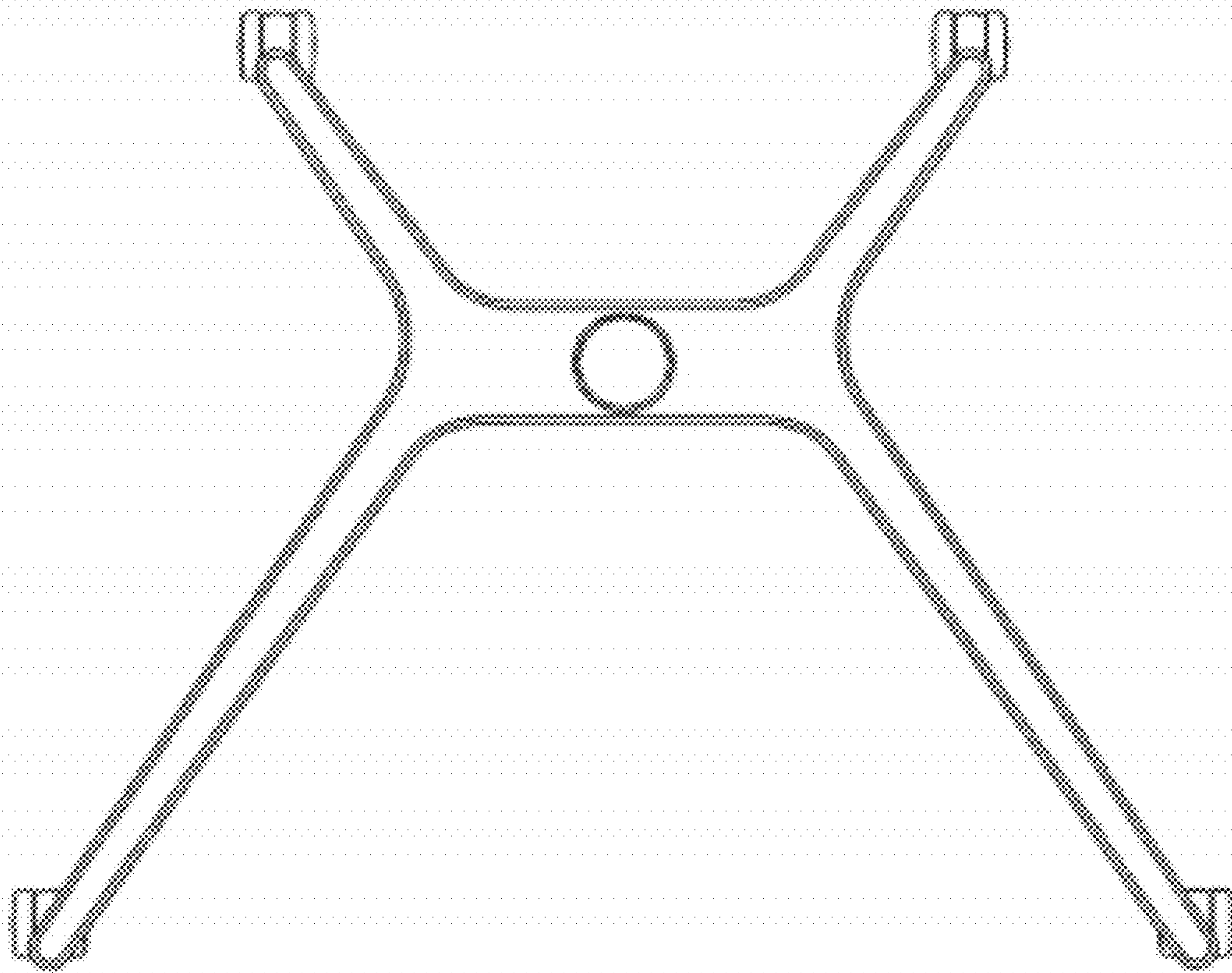


FIG. 10

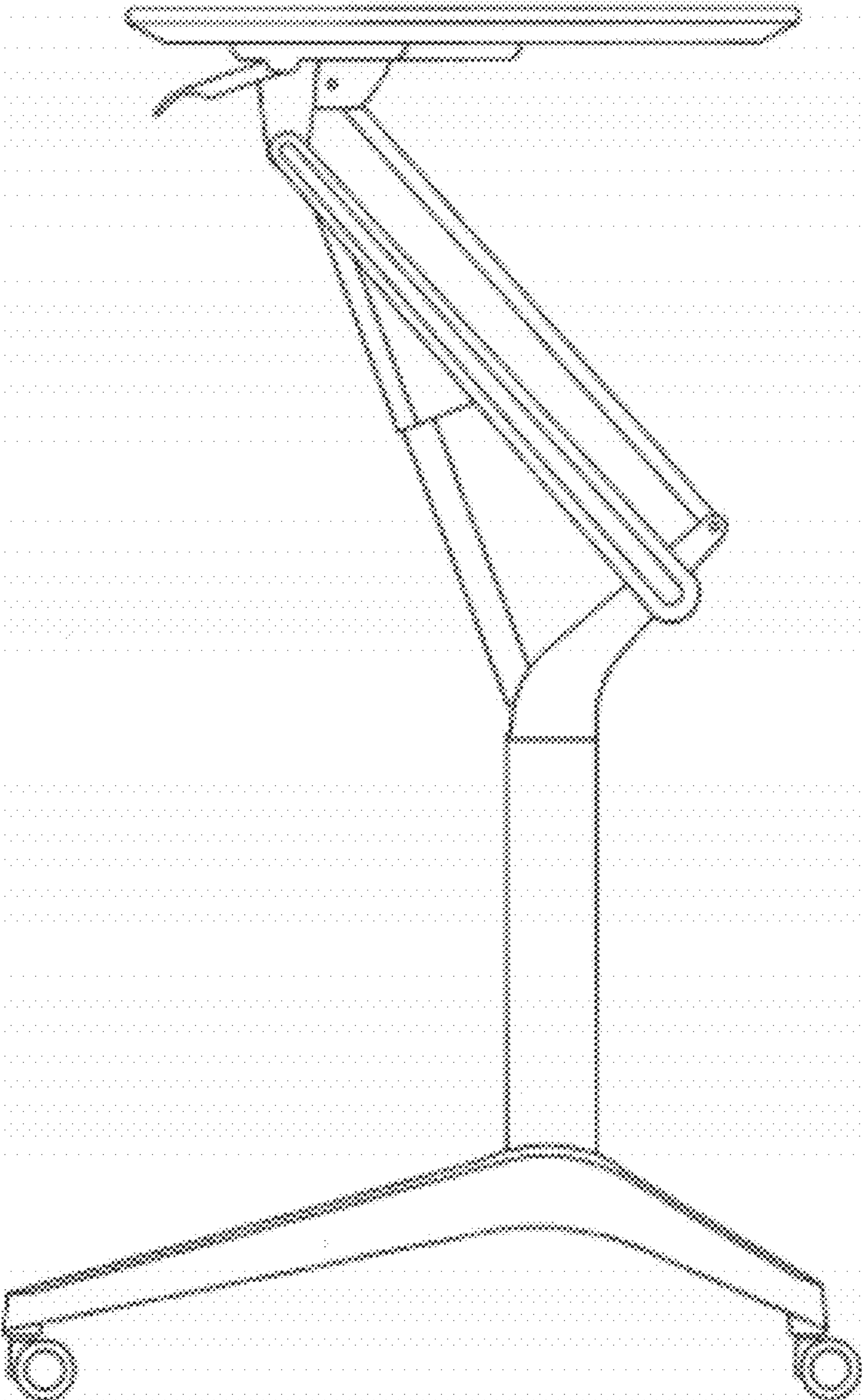


FIG. 11

