

US00D665190S

(12) **United States Design Patent**
Fitzpatrick

(10) **Patent No.:** **US D665,190 S**

(45) **Date of Patent:** **** Aug. 14, 2012**

(54) **CLOTHES HANGER**

(75) **Inventor:** **Patrick Connor Fitzpatrick**, Old Harlow (GB)

(73) **Assignee:** **Actervis GmbH** (CH)

(**) **Term:** **14 Years**

(21) **Appl. No.:** **29/402,853**

(22) **Filed:** **Sep. 28, 2011**

(51) **LOC (9) Cl.** **06-04**

(52) **U.S. Cl.** **D6/415**

(58) **Field of Classification Search** 211/33,
211/190, 196, 59.1, 125, 85.4, 205, 13.1,
211/25.3, 189, 195, 197, 203, 181.1; D6/458,
D6/415, 411, 462, 552, 466, 397, 405, 449,
D6/455, 456; 248/164, 121, 166, 177.1,
248/292.12

See application file for complete search history.

(56) **References Cited**

U.S. PATENT DOCUMENTS

D35,223	S	*	10/1901	Boggs	D6/415
3,204,779	A	*	9/1965	Warner	211/190
3,310,180	A	*	3/1967	Neagle	211/205
3,357,570	A	*	12/1967	Hagle, Sr. et al.	211/125
D301,094	S	*	5/1989	Muxlow	D6/411
D334,855	S	*	4/1993	Harrington et al.	D6/458
D339,009	S	*	9/1993	Evenson	D6/411
D339,249	S	*	9/1993	Wu	D6/411
5,566,837	A	*	10/1996	Lema	211/33
D387,216	S	*	12/1997	Stone	D6/405
D391,419	S	*	3/1998	Walters et al.	D6/458
5,732,833	A	*	3/1998	Alvarado et al.	211/59.1

(Continued)

Primary Examiner — Philip S. Hyder

Assistant Examiner — Sydney Buffalow

(74) *Attorney, Agent, or Firm* — Larkin Hoffman Daly & Lindgren Ltd.; Thomas J. Oppold; Craig J. Lervick

(57) **CLAIM**

The ornamental design for a clothes hanger, as shown and described.

DESCRIPTION

FIG. 1 is a perspective view of the clothes hanger of the present design in a fully extended position.

FIG. 2 is an elevation view of one side of the clothes hanger of FIG. 1.

FIG. 3 is an elevation view of another side of the clothes hanger of FIG. 1.

FIG. 4 is an elevation view of another side of the clothes hanger of FIG. 1.

FIG. 5 is an elevation view of another side of the clothes hanger of FIG. 1.

FIG. 6 is a top plan view of the of the clothes hanger of FIG. 1.

FIG. 7 is a bottom plan view of the of the clothes hanger of FIG. 1.

FIG. 8 is a perspective view of the clothes hanger of the present design in a fully collapsed position.

FIG. 9 is an elevation view illustrating an alternate position of the clothes hanger of FIG. 1; wherein the top tier arms are shown collapsed and the bottom tier arms are shown extended.

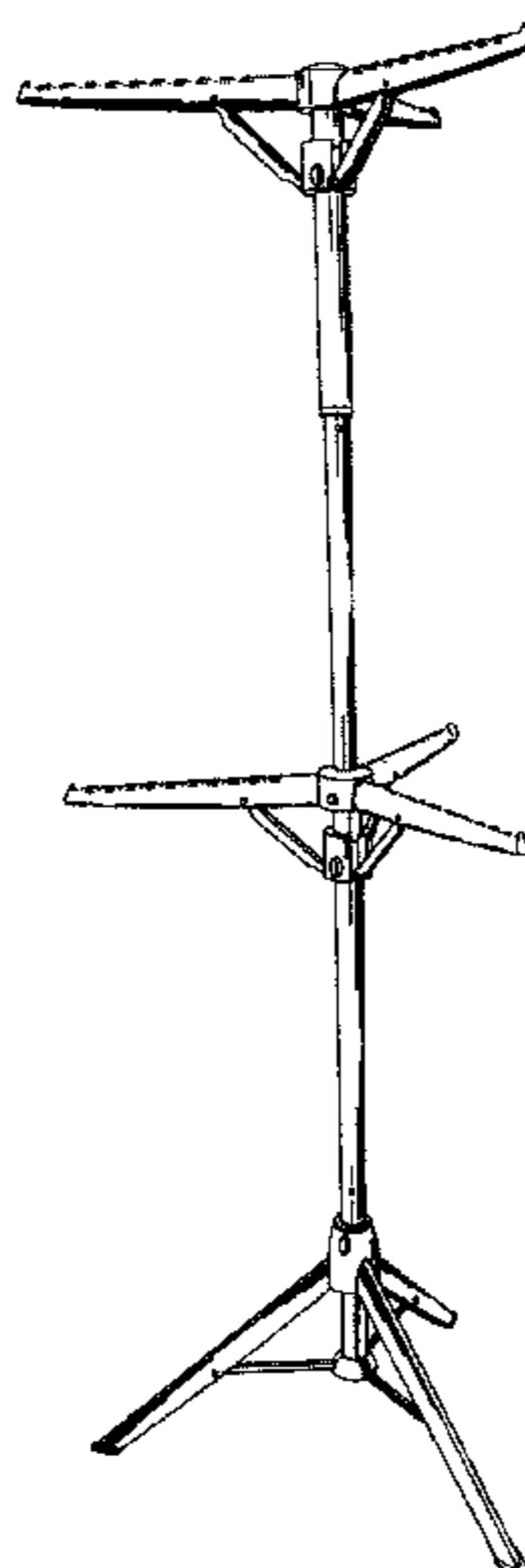
FIG. 10 is an elevation view illustrating an alternate position of the clothes hanger of FIG. 1; wherein the top tier arms are shown extended and the bottom tier arms are shown collapsed.

FIG. 11 is an elevation view illustrating an alternative position of the clothes hanger of FIG. 1; wherein the top tier arms and post are shown extended and the bottom tier arms are shown collapsed; and,

FIG. 12 is an elevation view illustrating an alternative position of the clothes hanger of FIG. 1; wherein the top tier arms and post are shown extended and the bottom tier arms are shown extended.

The broken lines on the top edges of the arms in FIGS. 1-6 and 8-12 and the broken lines in FIG. 7 depict unclaimed portions of the design.

1 Claim, 8 Drawing Sheets



US D665,190 S

Page 2

U.S. PATENT DOCUMENTS

5,819,961	A	*	10/1998	Harris	211/196	6,854,609	B1	*	2/2005	Hettinger	211/85.4
D429,921	S	*	8/2000	Allanson	D6/458	D566,990	S	*	4/2008	Cook	D6/462
D450,474	S	*	11/2001	Sokoloff	D6/415	D599,601	S	*	9/2009	Mallen	D6/552
D458,770	S	*	6/2002	Walter	D6/411	D643,230	S	*	8/2011	Hepeng	D6/411
D459,106	S	*	6/2002	Walter	D6/411	D643,648	S	*	8/2011	Eason	D6/466
D463,160	S	*	9/2002	Chang	D6/411	D646,501	S	*	10/2011	Hepeng	D6/397
D466,719	S	*	12/2002	Fitzpatrick	D6/415							

* cited by examiner

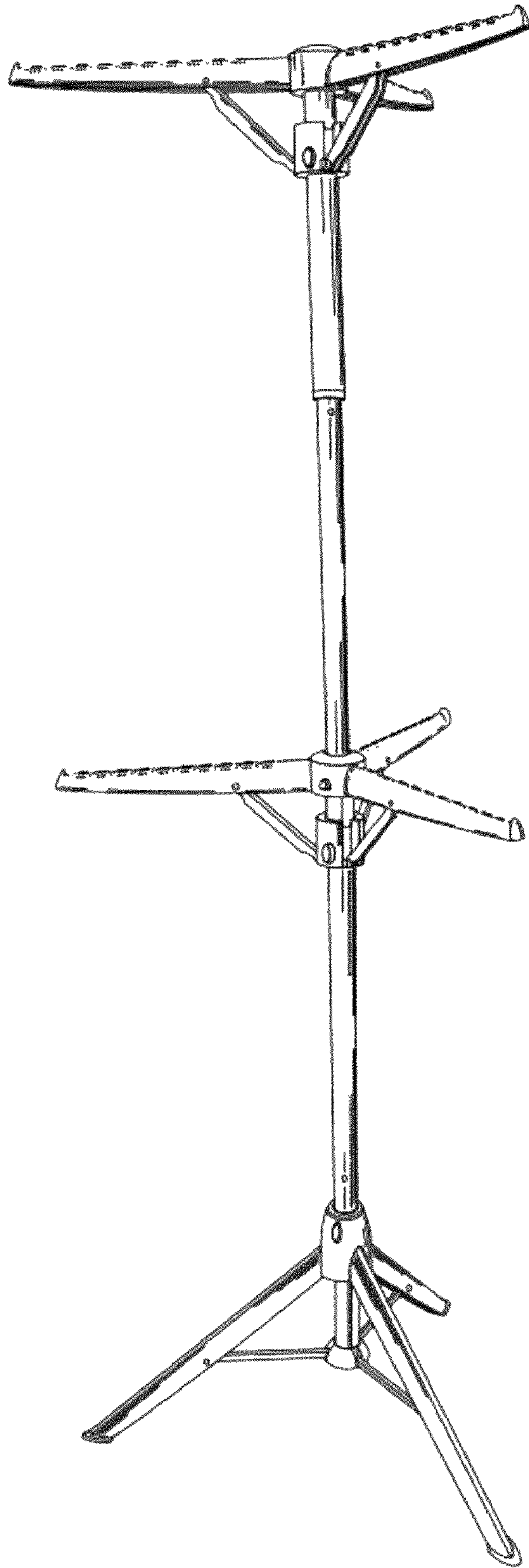


FIG. 1

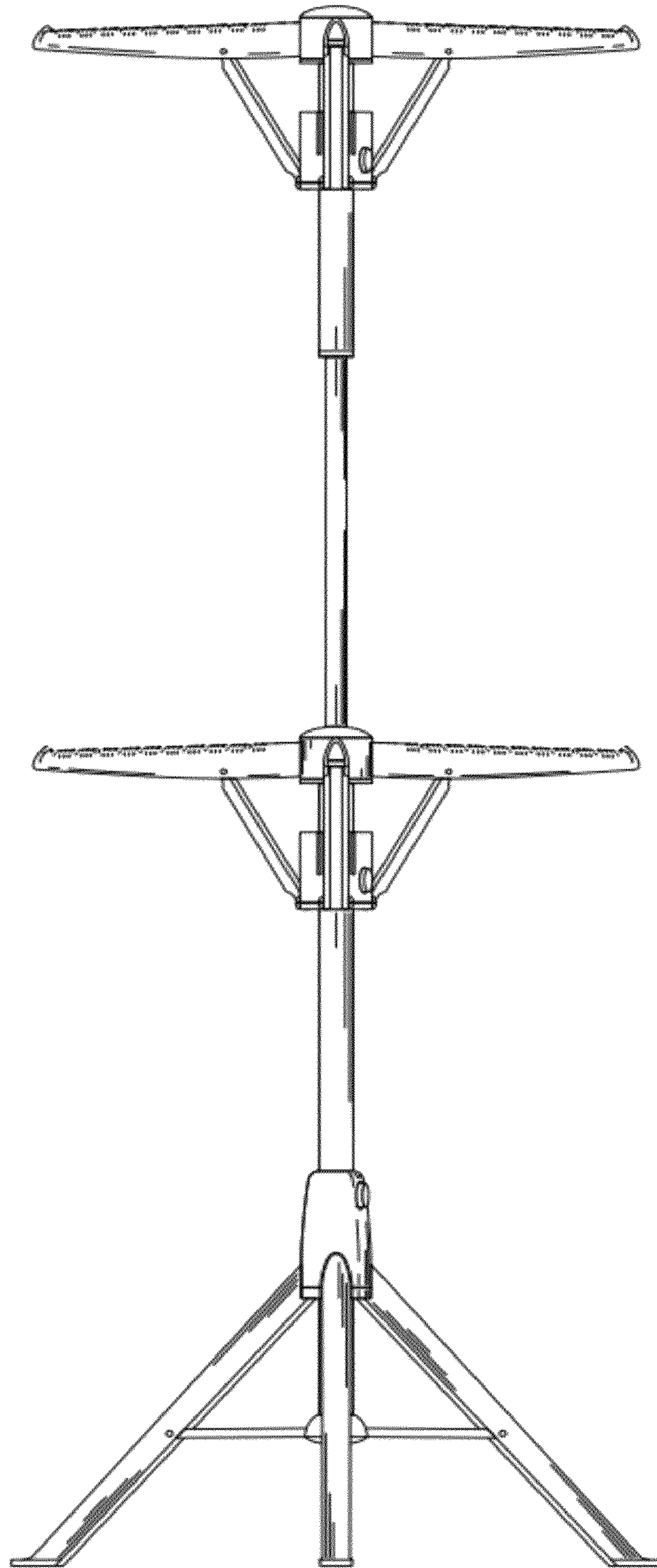


FIG. 2

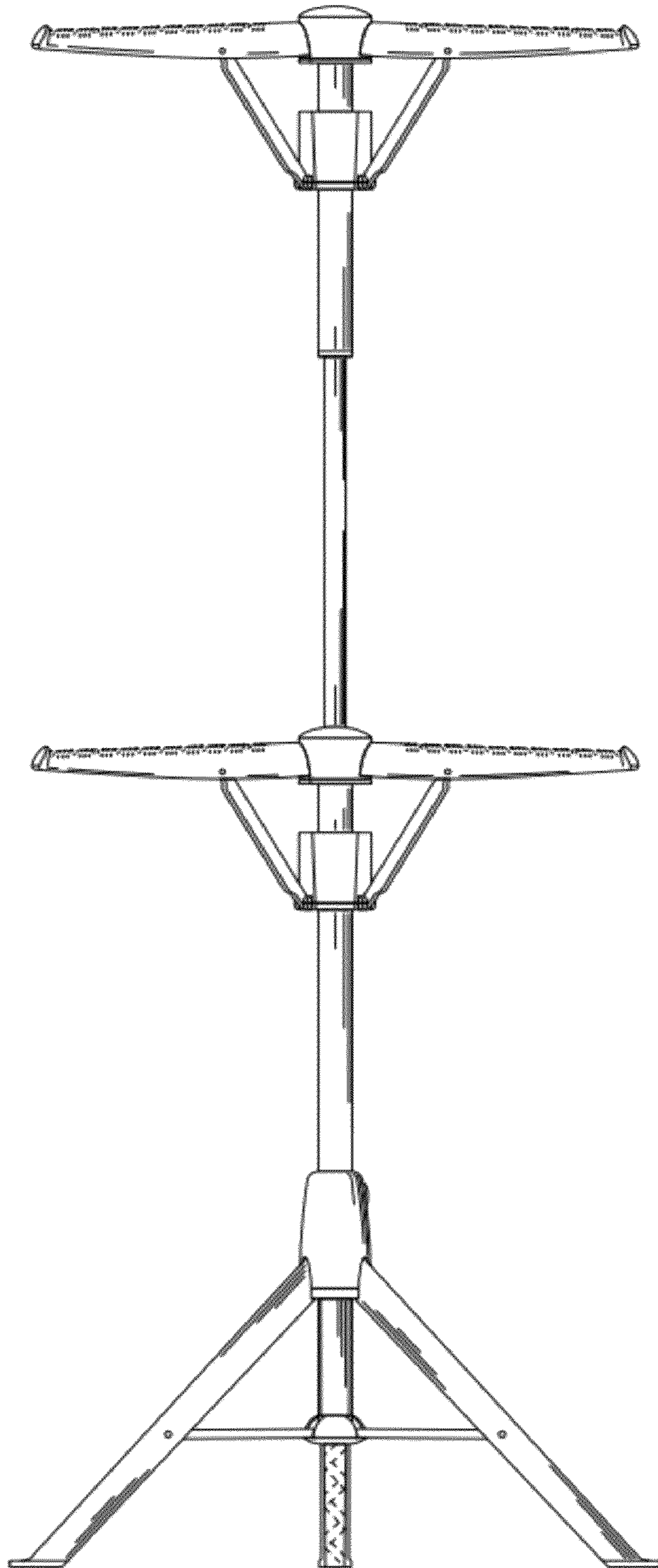


FIG. 3

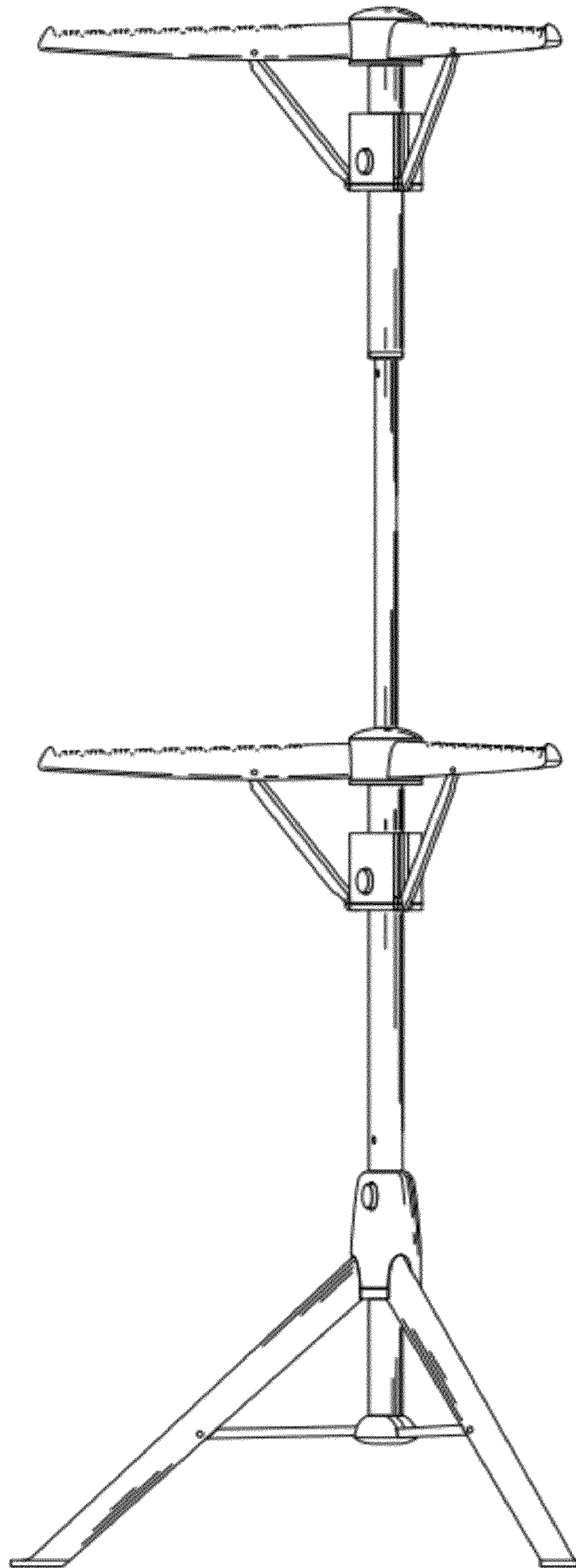


FIG. 4

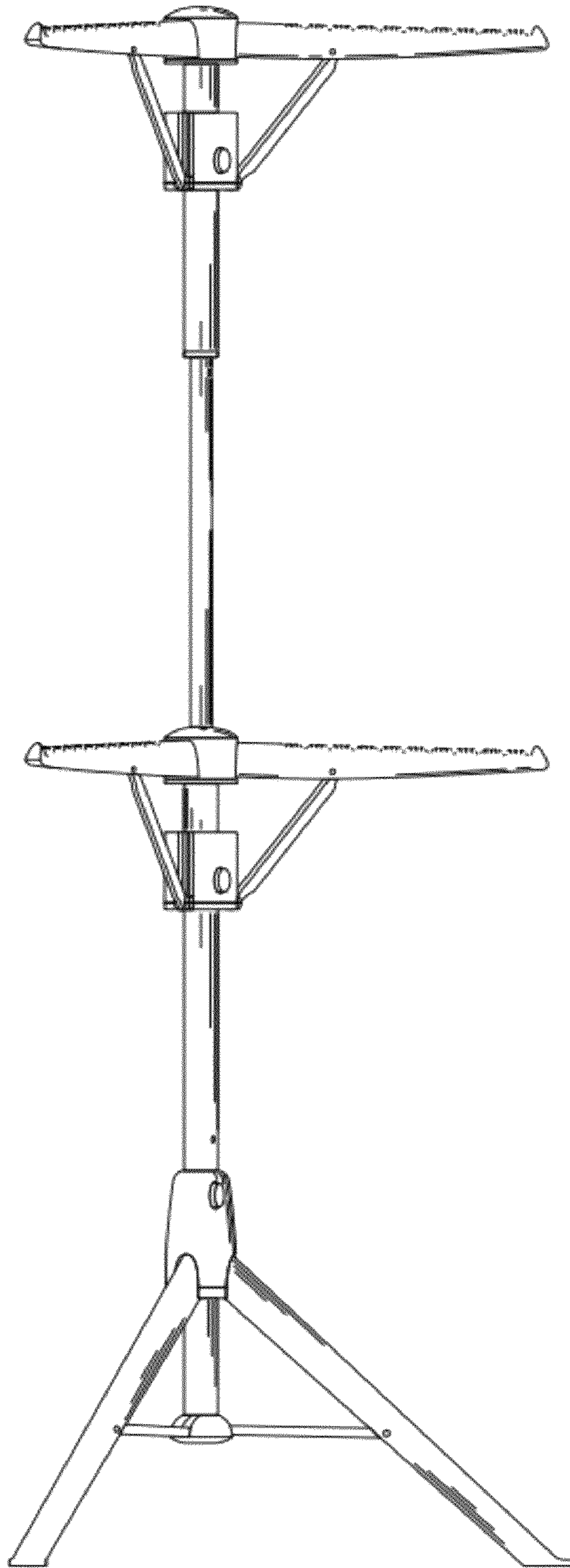


FIG. 5

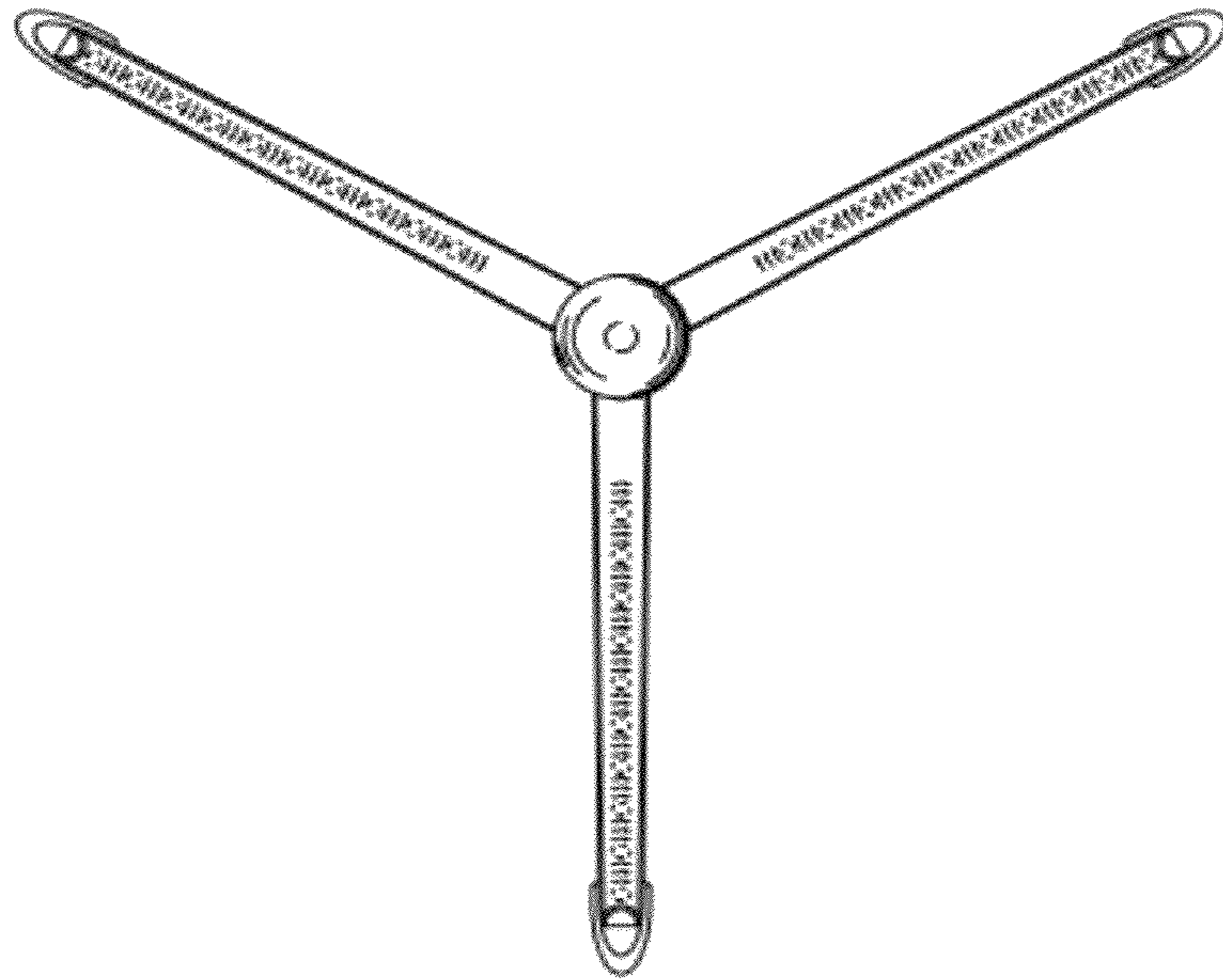


FIG. 6

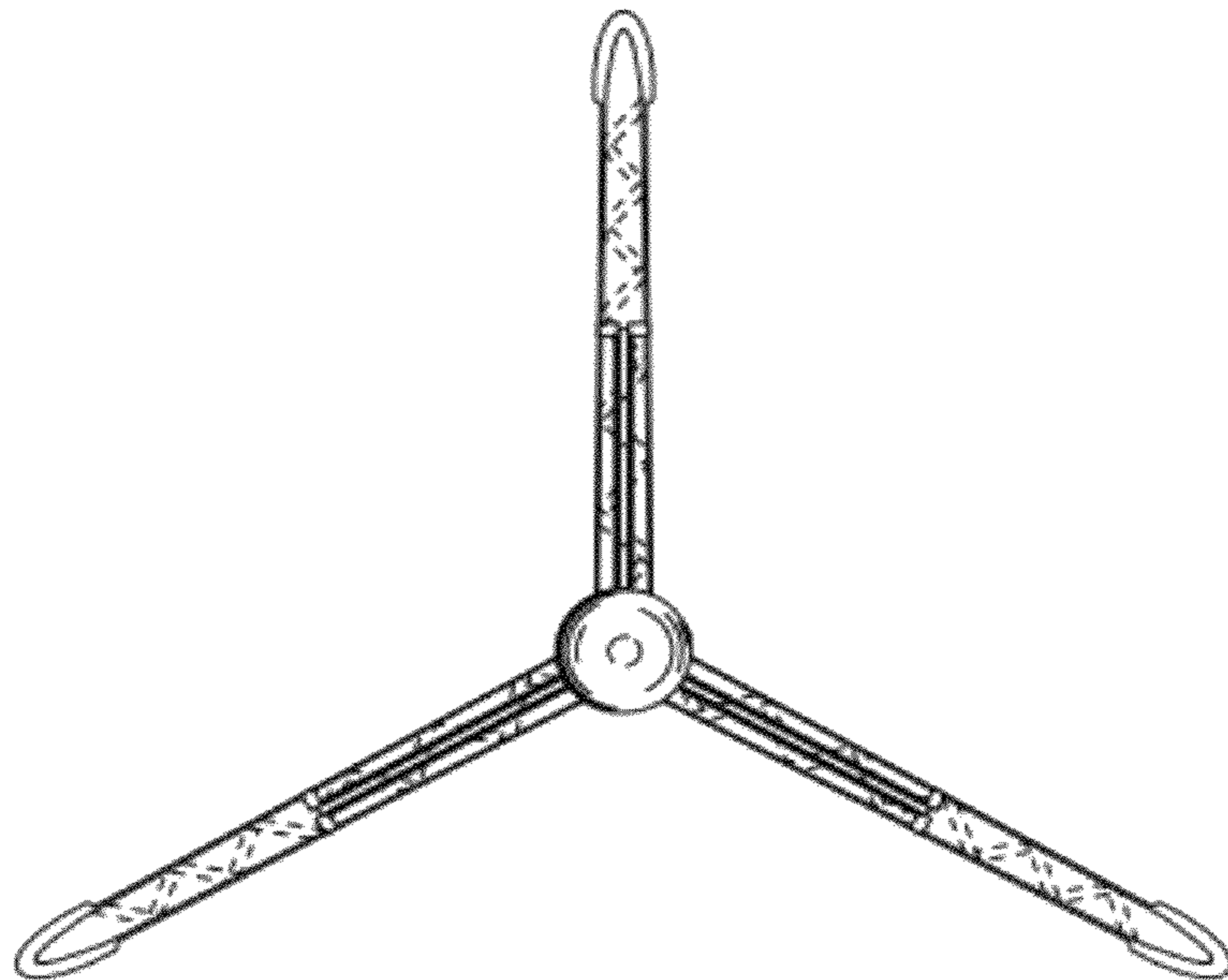


FIG. 7

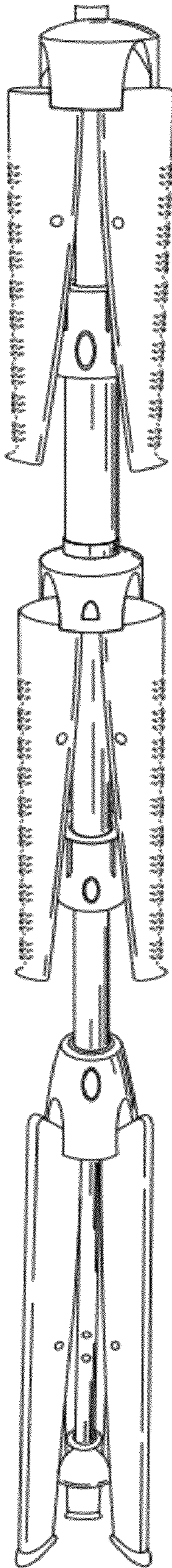


FIG. 8

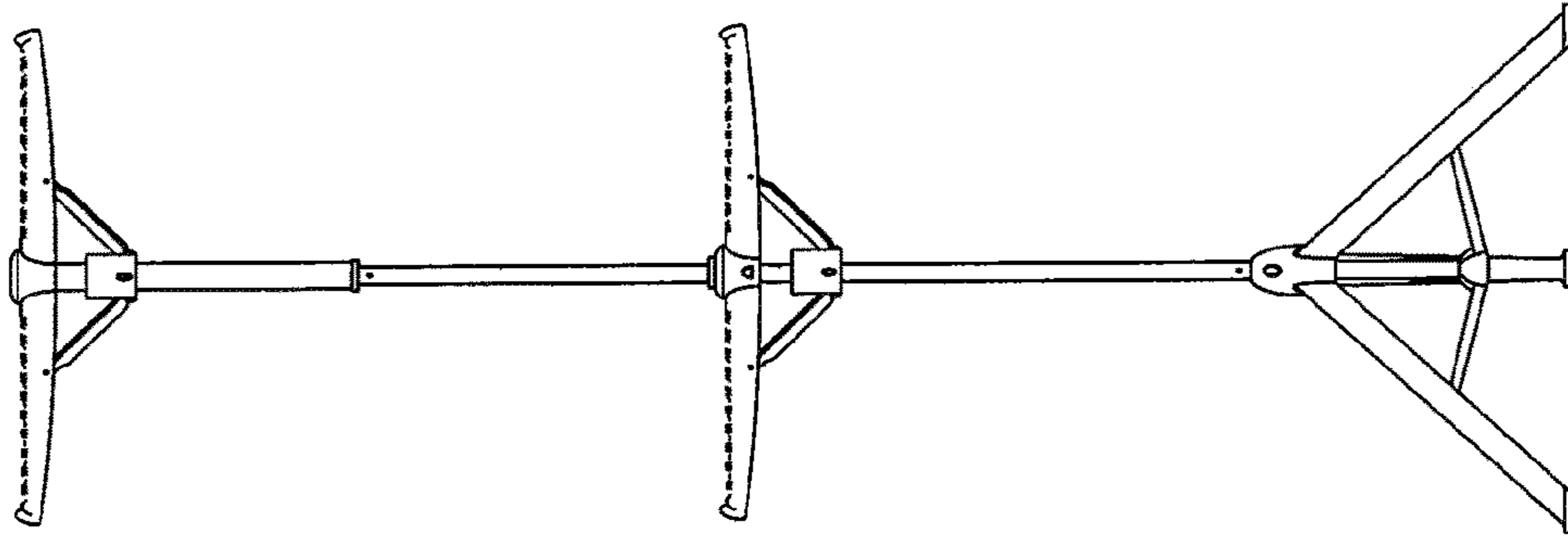


FIG. 12

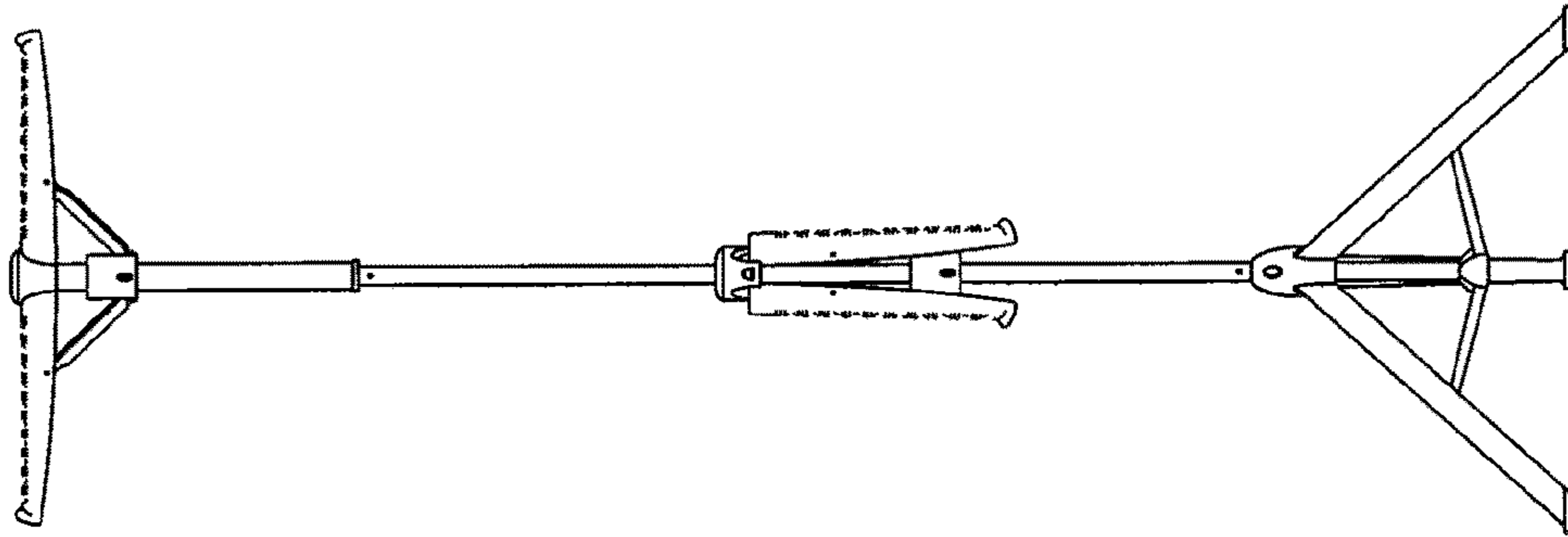


FIG. 11

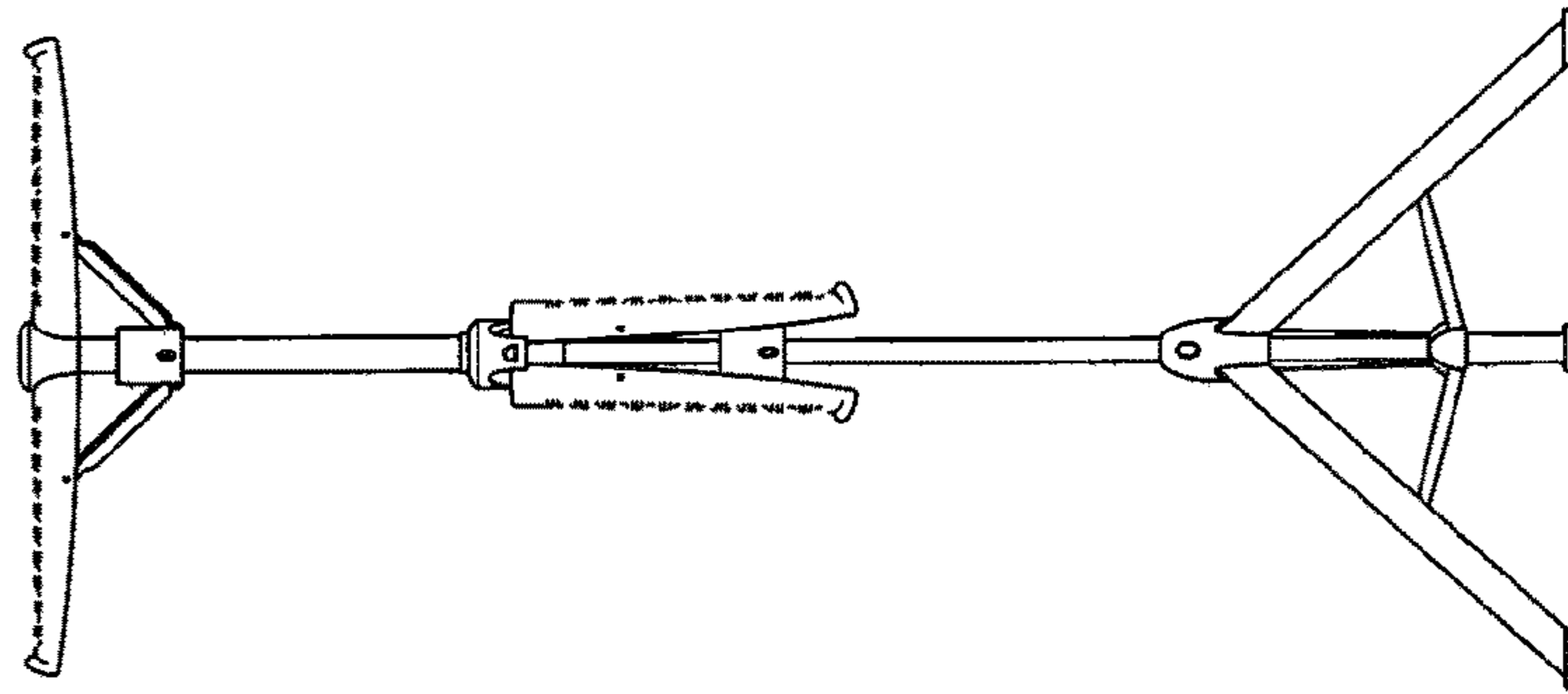


FIG. 10

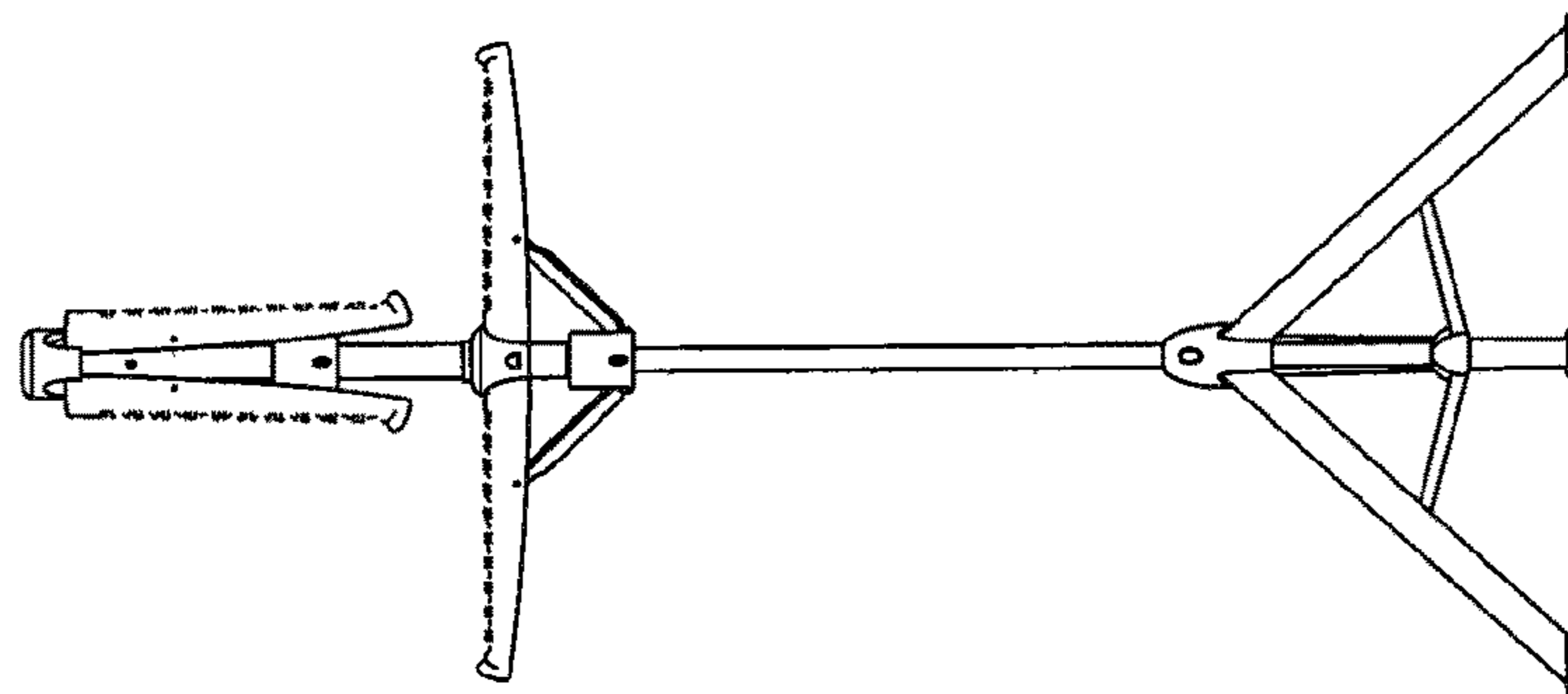


FIG. 9