

US00D665189S

(12) **United States Design Patent**  
**Lenney**

(10) **Patent No.:** **US D665,189 S**

(45) **Date of Patent:** **\*\* \*Aug. 14, 2012**

- (54) **BED**
- (75) Inventor: **Joseph P. Lenney**, San Francisco, CA (US)
- (73) Assignee: **Restoration Hardware, Inc.**, Corte Madera, CA (US)
- (\* ) Notice: This patent is subject to a terminal disclaimer.
- (\*\*) Term: **14 Years**
- (21) Appl. No.: **29/399,810**
- (22) Filed: **Aug. 18, 2011**
- (51) **LOC (9) Cl.** ..... **06-02**
- (52) **U.S. Cl.** ..... **D6/393**
- (58) **Field of Classification Search** ..... D6/382, D6/383, 389, 393-395, 505-508, 503; 5/53.1, 5/279.1, 280, 281, 907; D21/520  
See application file for complete search history.

Restoration Hardware Home Catalog, Early Spring 2009; Cover page, pp. 11, 15, 19, 21, 25, 27 and 37.  
 Restoration Hardware The Fall Lighting Event 2010; Cover page, pp. 8, 21, 29, 59, 65, 71, 75, 152, 168 and 172.  
 Restoration Hardware Famous Fall Lighting Sale; Cover page, pp. 10, 28, 55, 62 and 87.  
 Restoration Hardware Celebrate Catalog, Holiday 2010; Cover page & pp. 63, 73, 97, 101, 107, 111, 165, 178, and 180.  
 Restoration Hardware Catalog, "There Are Pieces That Furnish A Home. And Those That Define It." Cover page, pp. 31, 43, 45, 51, 57, 67, and 185.  
 Restoration Hardware Catalog, "Welcome To Your New Home", Spring 2011 Source Book; Cover page, pp. 52, 112, 153, 185, 192, 197, 203 and 258-259.  
 Restoration Hardware The Spring 2011 Source Book; Cover page, pp. 52, 57, 81, 112, 153, 185, 192, 197, 203 and 258-259.

\* cited by examiner

*Primary Examiner* — Janice Seeger

(74) *Attorney, Agent, or Firm* — Duane Morris, LLP; Guy W. Chambers

(56) **References Cited**

U.S. PATENT DOCUMENTS

D412,795 S	8/1999	Bargagli-Stoffi	
D455,909 S	4/2002	Wostehuff	
D460,634 S	* 7/2002	Kreiss	D6/393
D463,156 S	* 9/2002	Lenger	D6/393
D466,328 S	* 12/2002	Risdon	D6/393
D480,889 S	10/2003	Risdon et al.	
D493,975 S	8/2004	Juneau et al.	
D503,860 S	* 4/2005	Peterson et al.	D6/393
D505,029 S	5/2005	Risdon et al.	
D517,342 S	3/2006	O'Hare	
D525,046 S	* 7/2006	Mohundro	D6/393
D564,777 S	* 3/2008	Mohundro	D6/393

OTHER PUBLICATIONS

Restoration Hardware Home Catalog; Late Summer 2008; Cover Page, pp. 33, 39, 43, 57 and 79.

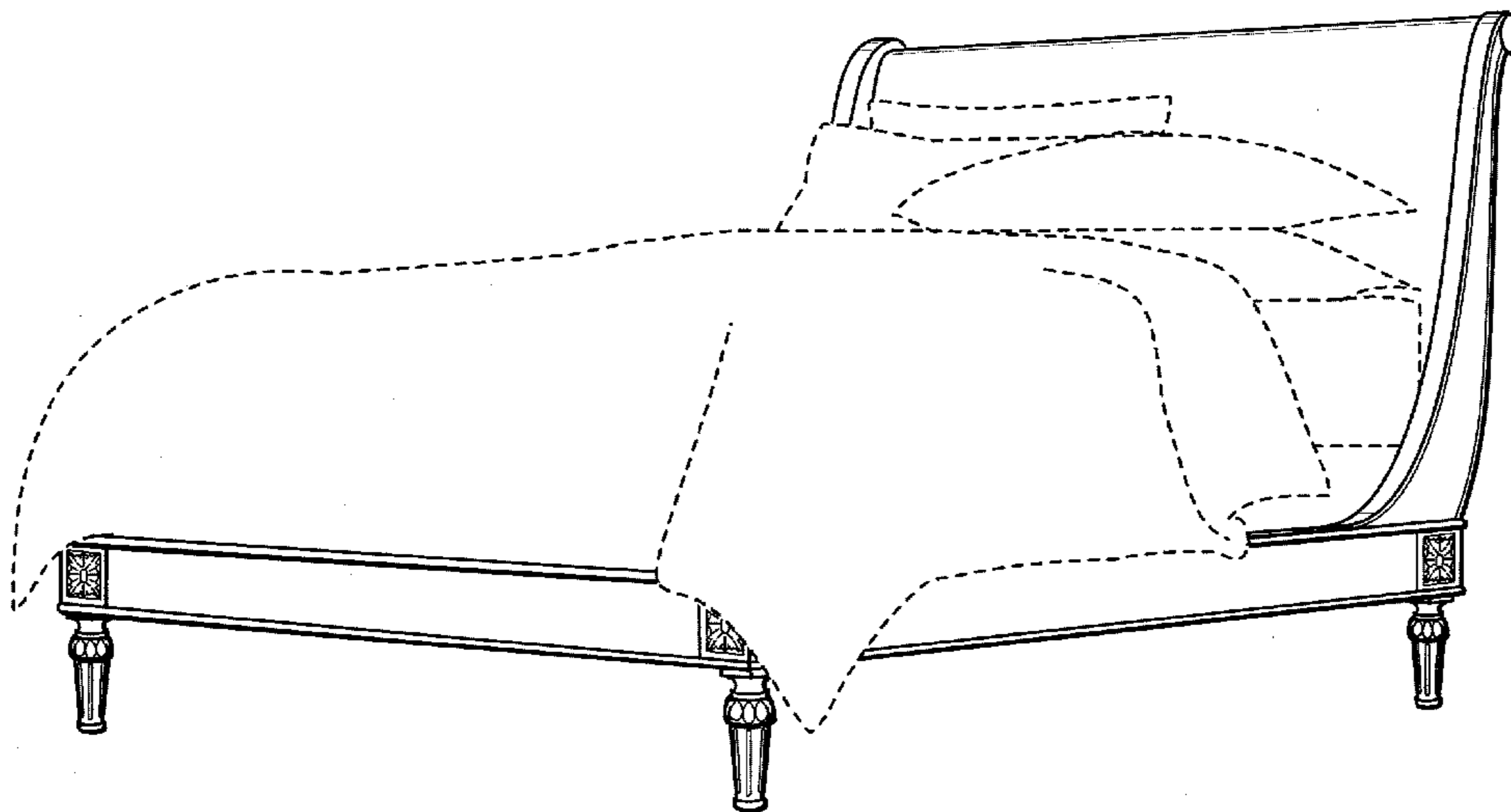
(57) **CLAIM**

The ornamental design for a bed, as shown and described.

**DESCRIPTION**

FIG. 1 is a perspective view of an embodiment of a bed showing my new design;  
 FIG. 2 is a top view thereof;  
 FIG. 3 is a front elevational view thereof; and,  
 FIG. 4 is a right side elevational view (left side elevational view is a mirror image thereof).  
 The broken lines are for environmental purposes only and form no part of the claimed design.

**1 Claim, 3 Drawing Sheets**



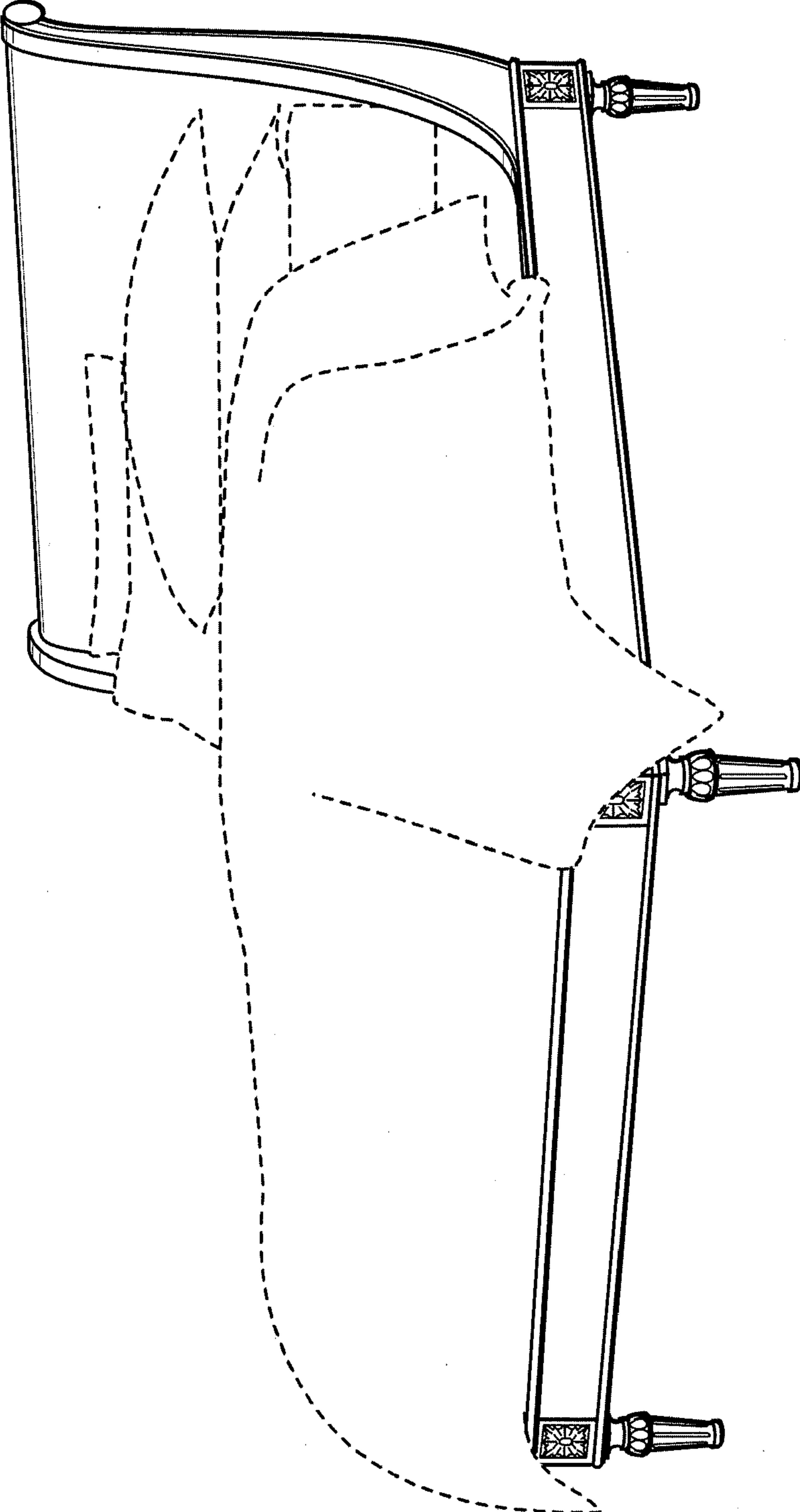


FIG. 1

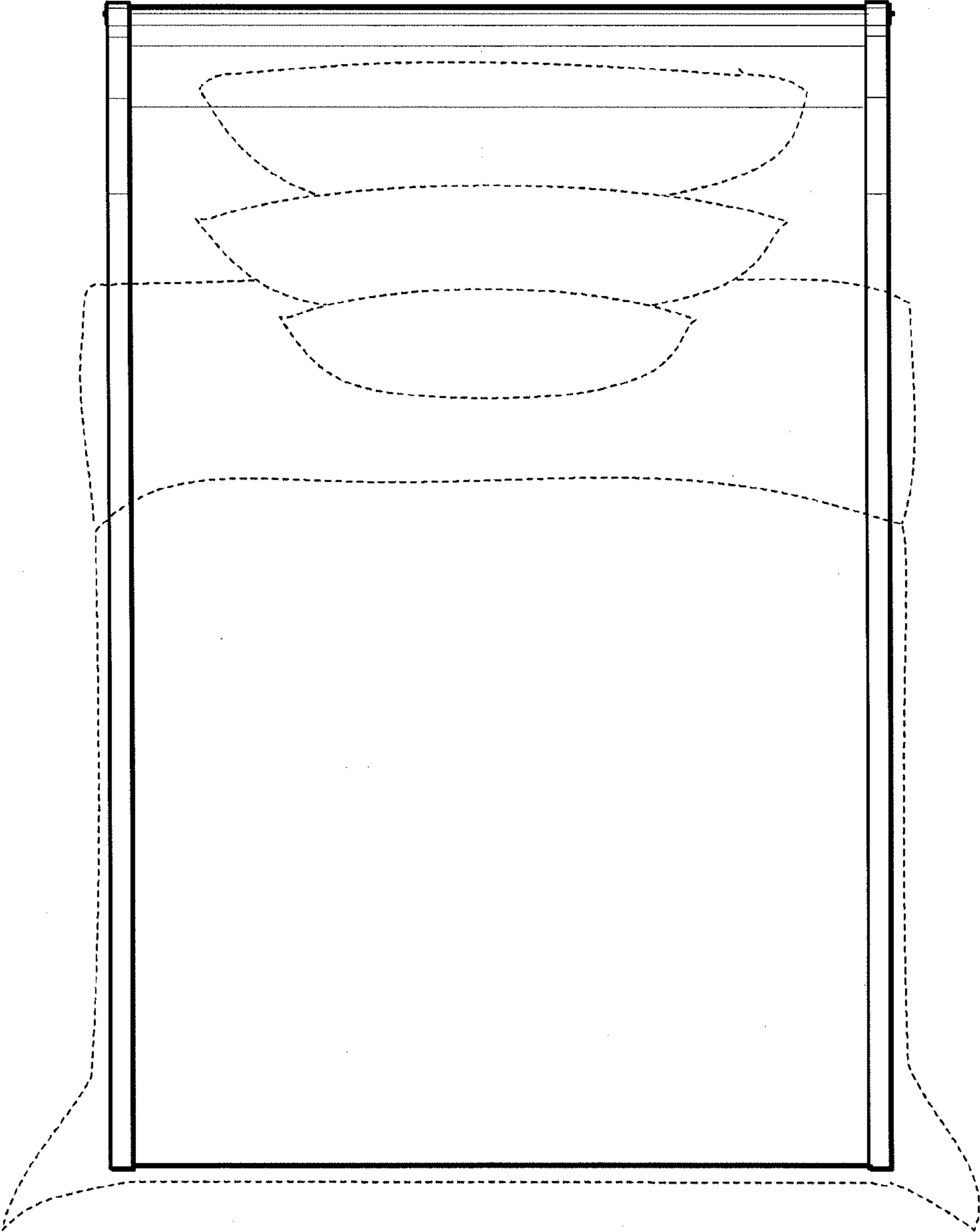
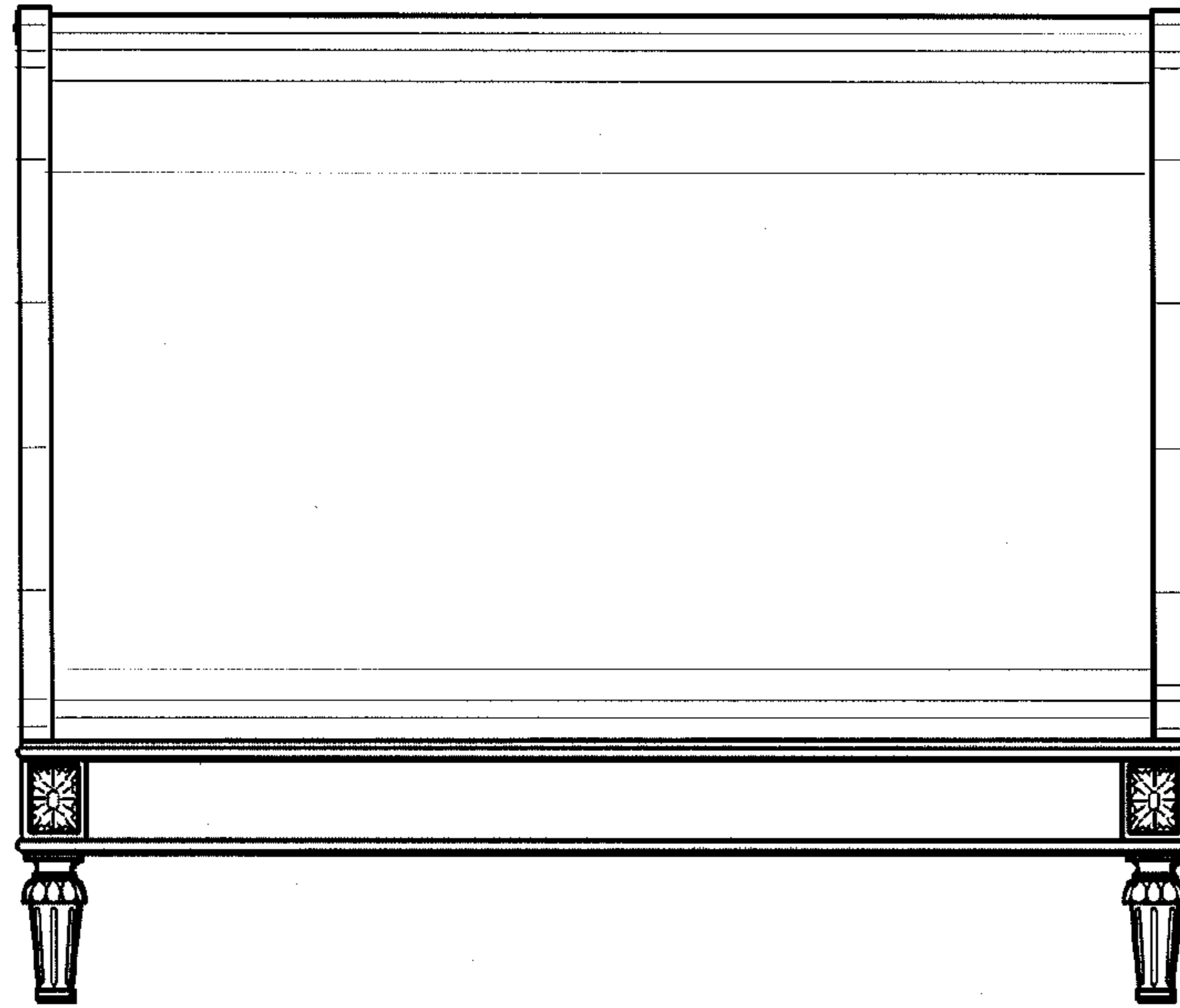
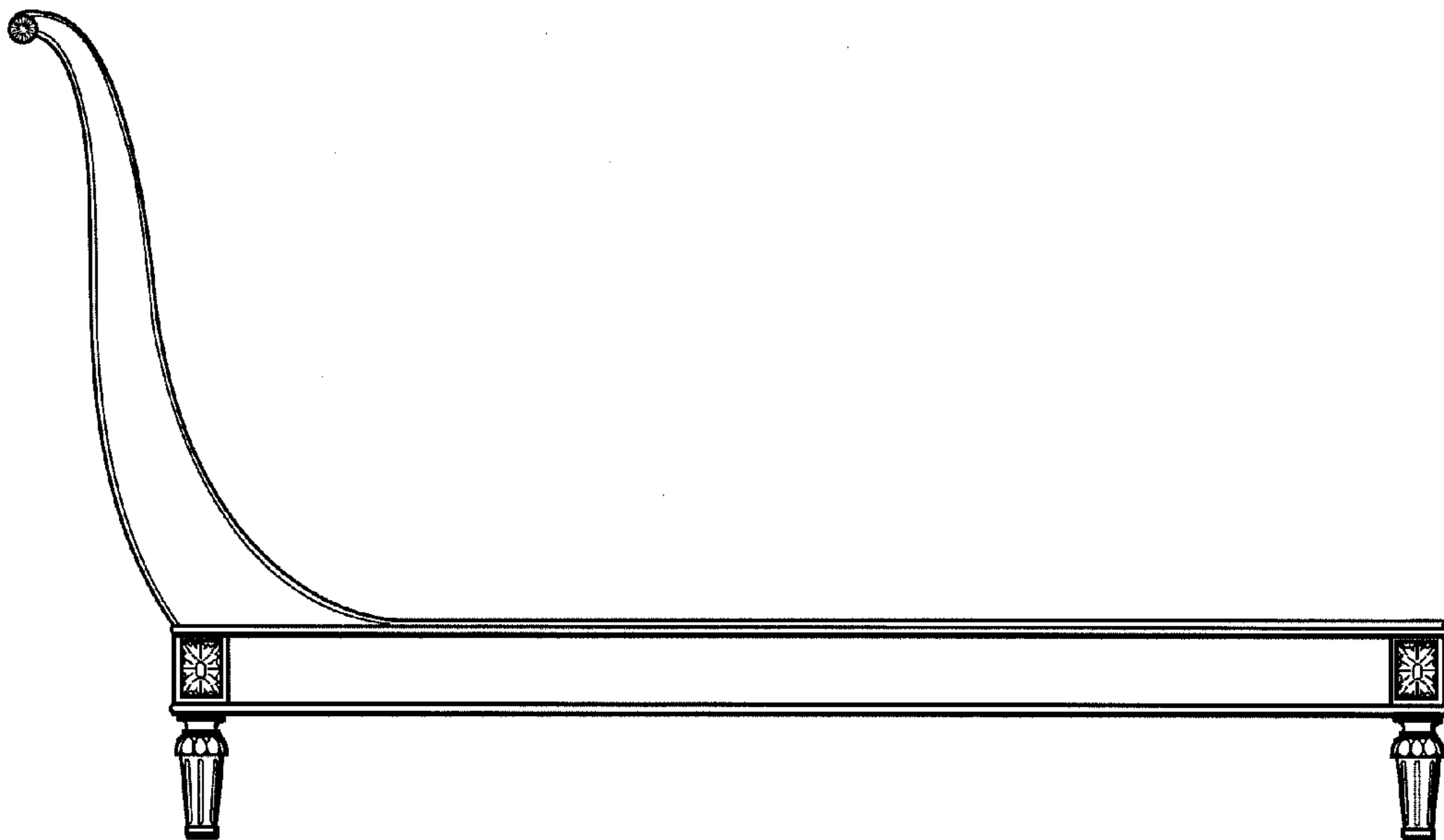


FIG. 2



**FIG. 3**



**FIG. 4**