



US00D665183S

(12) **United States Design Patent**
Welsh

(10) **Patent No.:** **US D665,183 S**

(45) **Date of Patent:** **** Aug. 14, 2012**

(54) **STOOL**

(75) **Inventor:** **Gregory Brent Welsh**, Beverley Park (AU)

(73) **Assignee:** **Sebel Furniture Ltd.**, Padstow (AU)

(**) **Term:** **14 Years**

(21) **Appl. No.:** **29/390,519**

(22) **Filed:** **Apr. 26, 2011**

(30) **Foreign Application Priority Data**

Oct. 26, 2010 (AU) 201014588

(51) **LOC (9) Cl.** **06-01**

(52) **U.S. Cl.** **D6/360**

(58) **Field of Classification Search** D6/334-336,
D6/360, 364, 365, 366, 367, 374, 500-502;
297/344.12, 423.18, 423.25, 451.4, 451.5,
297/461

See application file for complete search history.

(56) **References Cited**

U.S. PATENT DOCUMENTS

D257,473 S * 11/1980 Wilson D6/360
D274,865 S * 7/1984 Murry D6/360

D274,958 S * 8/1984 Aronowitz et al. D6/360
D275,054 S * 8/1984 Aronowitz et al. D6/360
D275,242 S * 8/1984 Stephens D6/360
D283,762 S * 5/1986 Caruso D6/360
D296,623 S * 7/1988 Chadwick et al. D6/360
D326,372 S * 5/1992 Edwards D6/360
D488,630 S * 4/2004 McCann D6/366
D507,893 S * 8/2005 Glass et al. D6/360
D656,328 S * 3/2012 Samuel et al. D6/360

* cited by examiner

Primary Examiner — Mimoso De

(74) *Attorney, Agent, or Firm* — Design IP

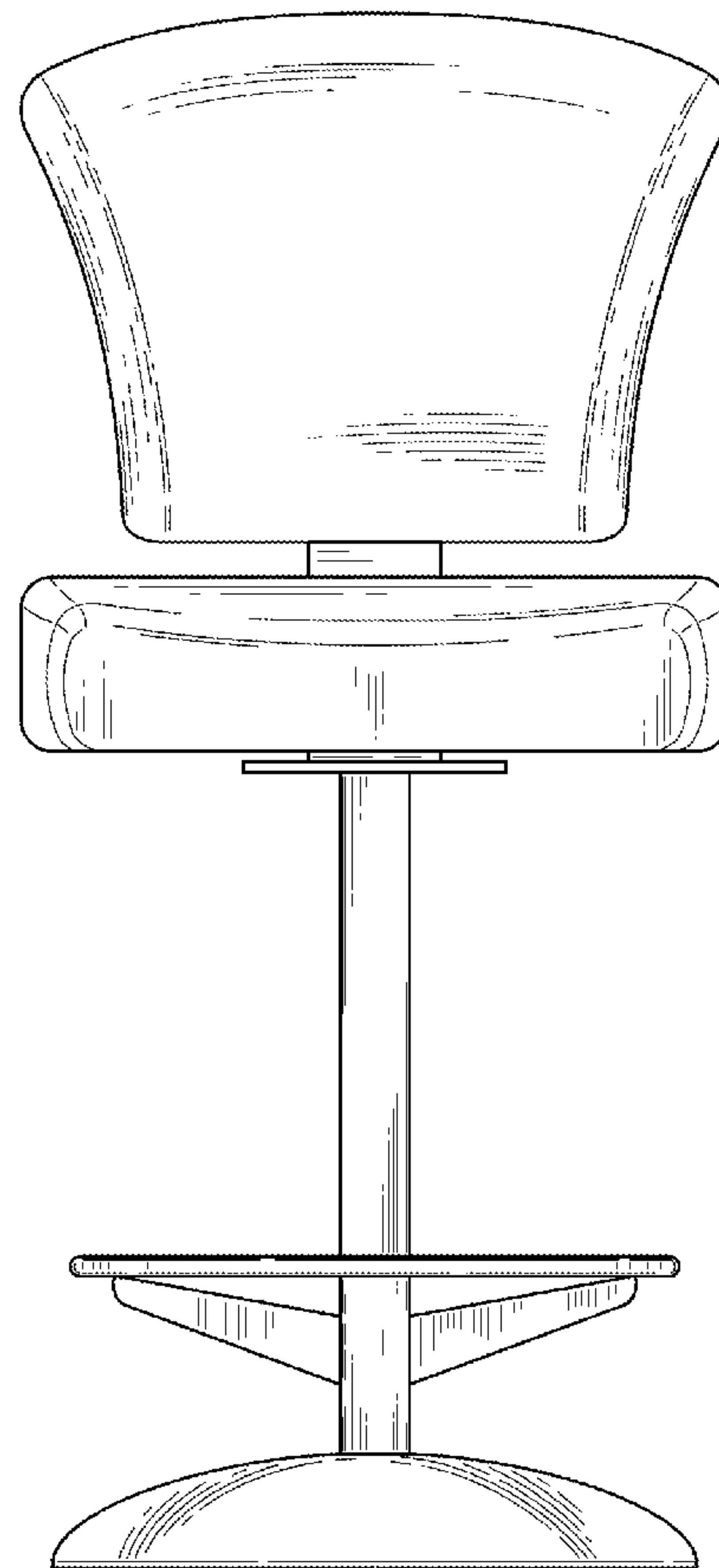
(57) **CLAIM**

The ornamental design for a stool, as shown and described.

DESCRIPTION

FIG. 1 is a front perspective view from above of an ornamental design for a stool showing my new design; FIG. 2 is a front orthographic view thereof; FIG. 3 is a rear orthographic view thereof; FIG. 4 is a left side orthographic view thereof; FIG. 5 is a right side orthographic view thereof; FIG. 6 is a top orthographic view thereof; and, FIG. 7 is a bottom orthographic view thereof. The dashed lines shown in FIG. 7 are included for the purpose of illustrating environmental subject matter only and form no part of the claimed design.

1 Claim, 6 Drawing Sheets



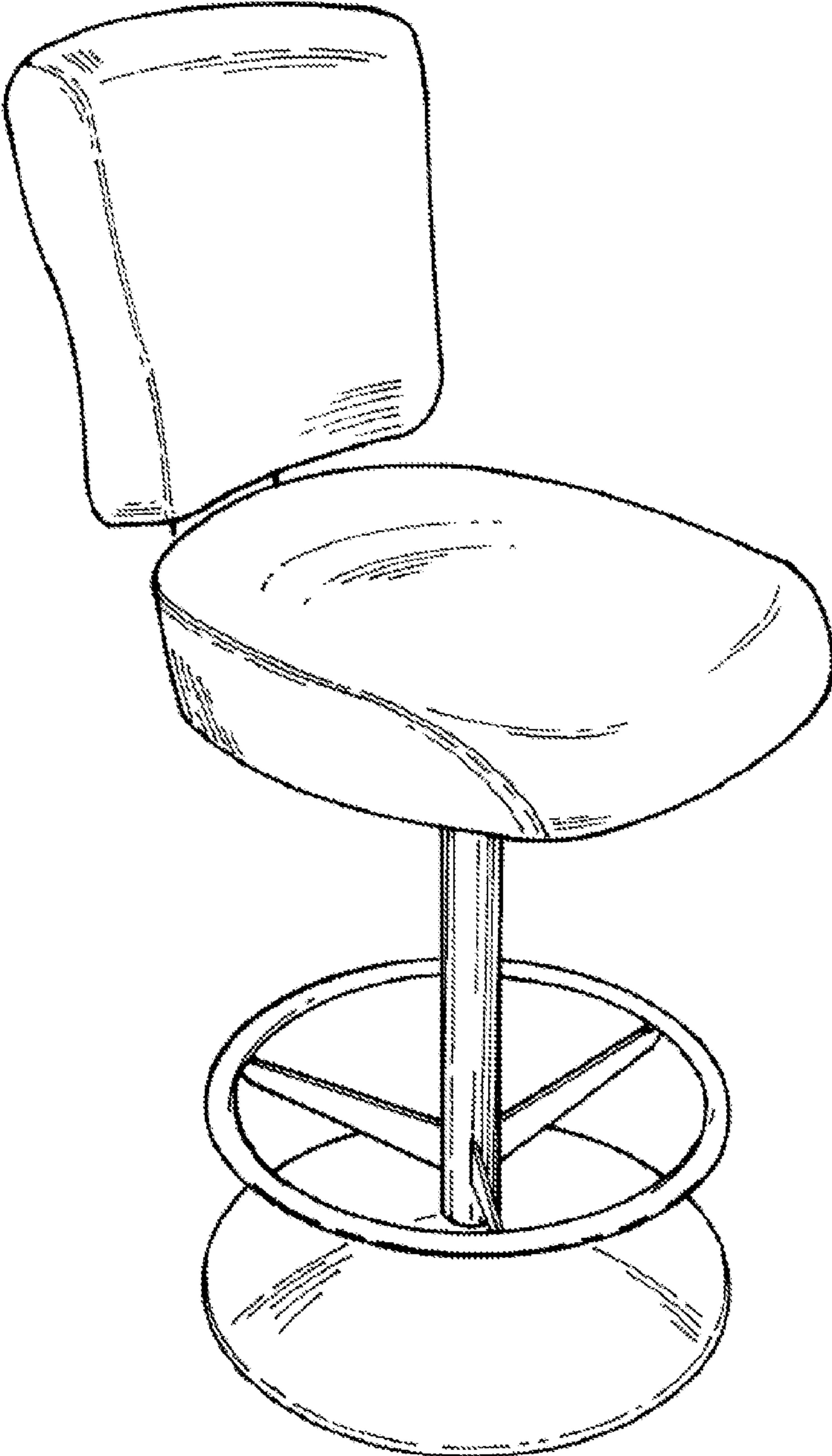


FIG. 1

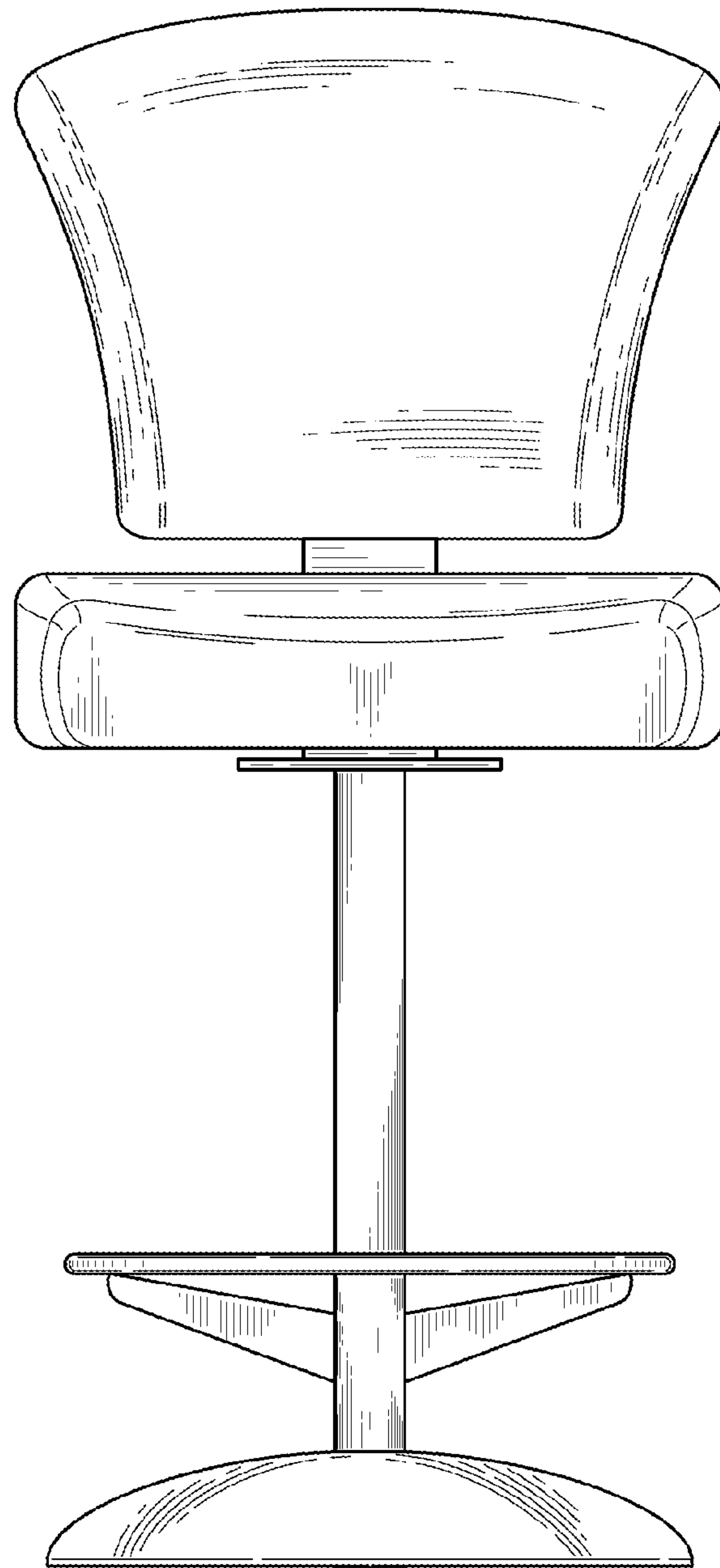


FIG. 2

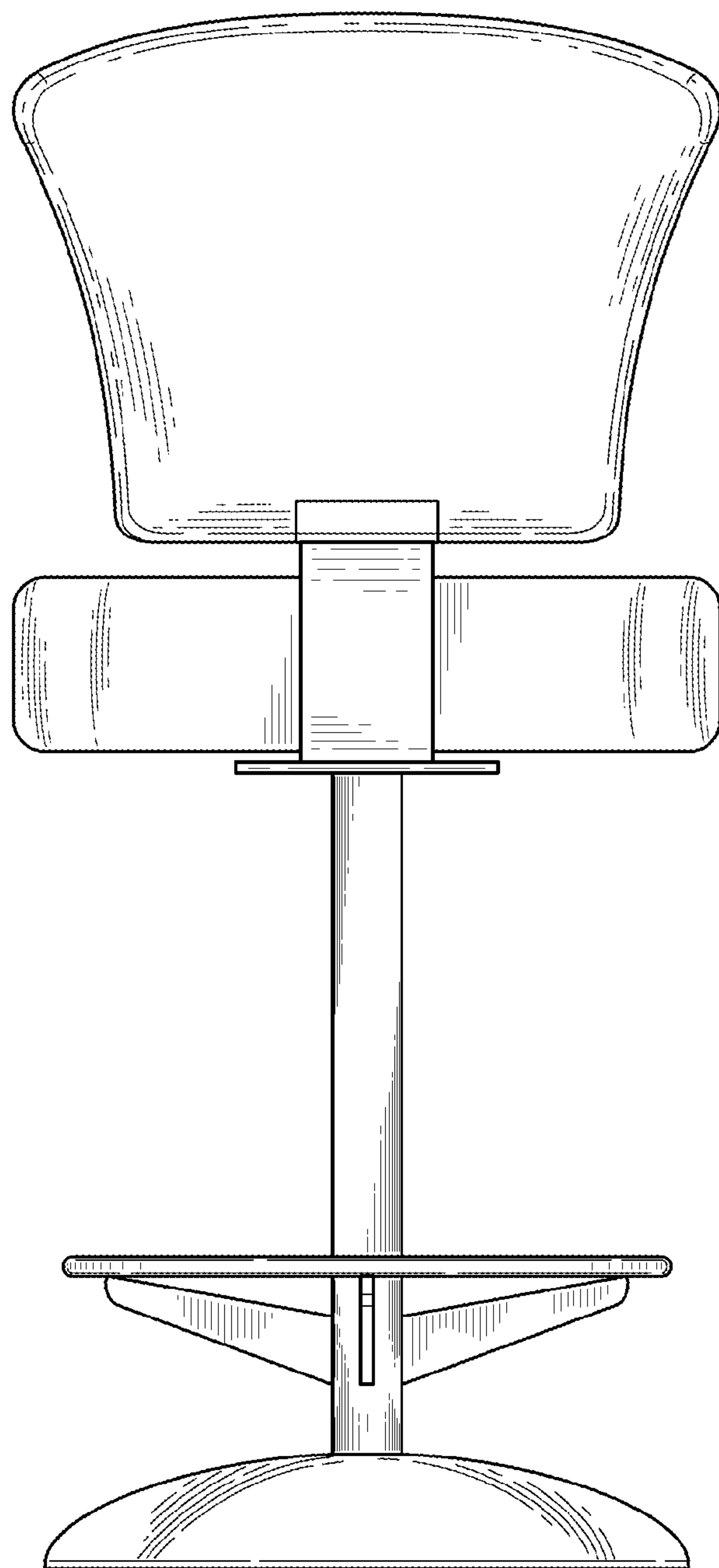


FIG. 3

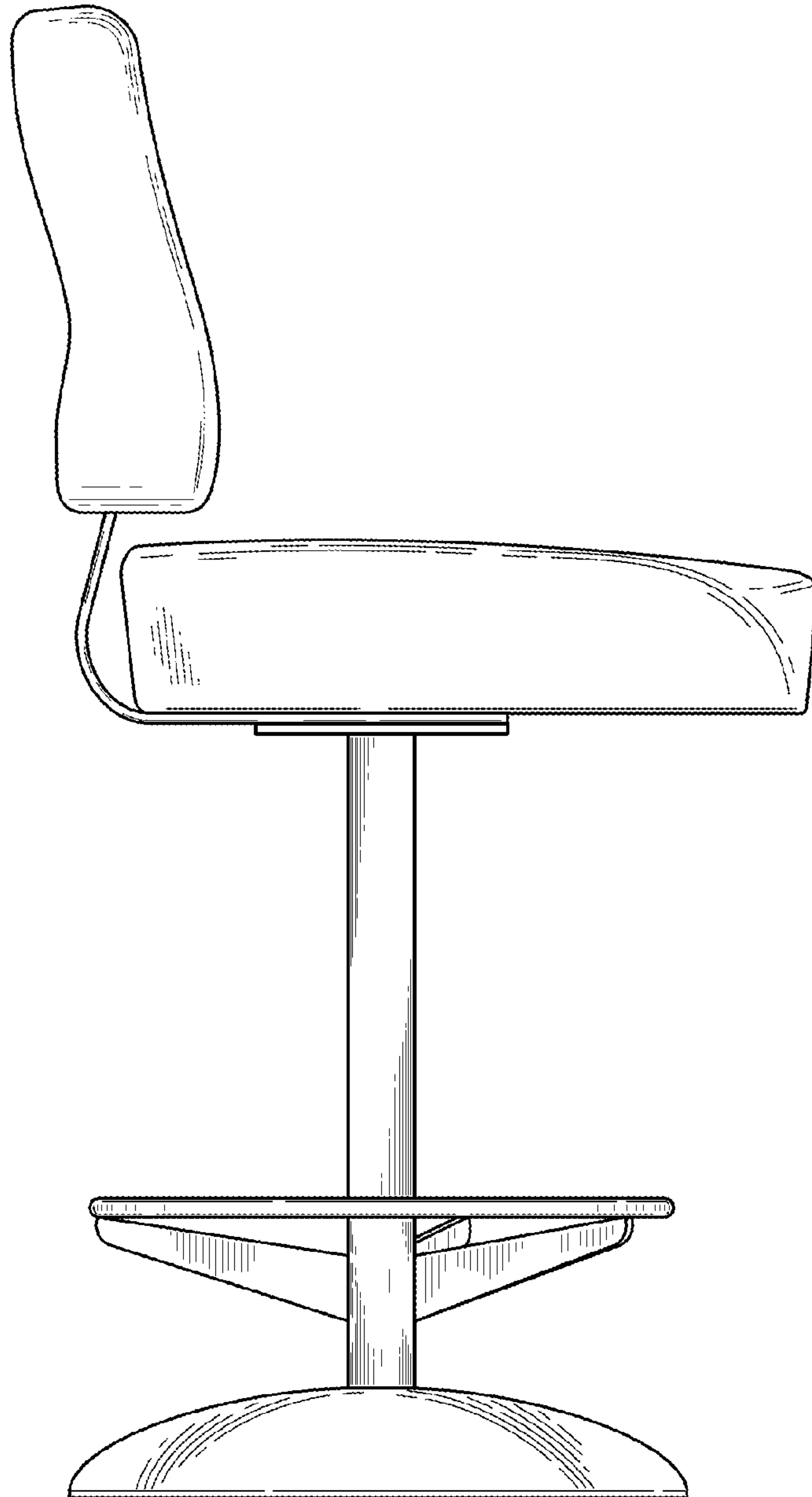


FIG. 4

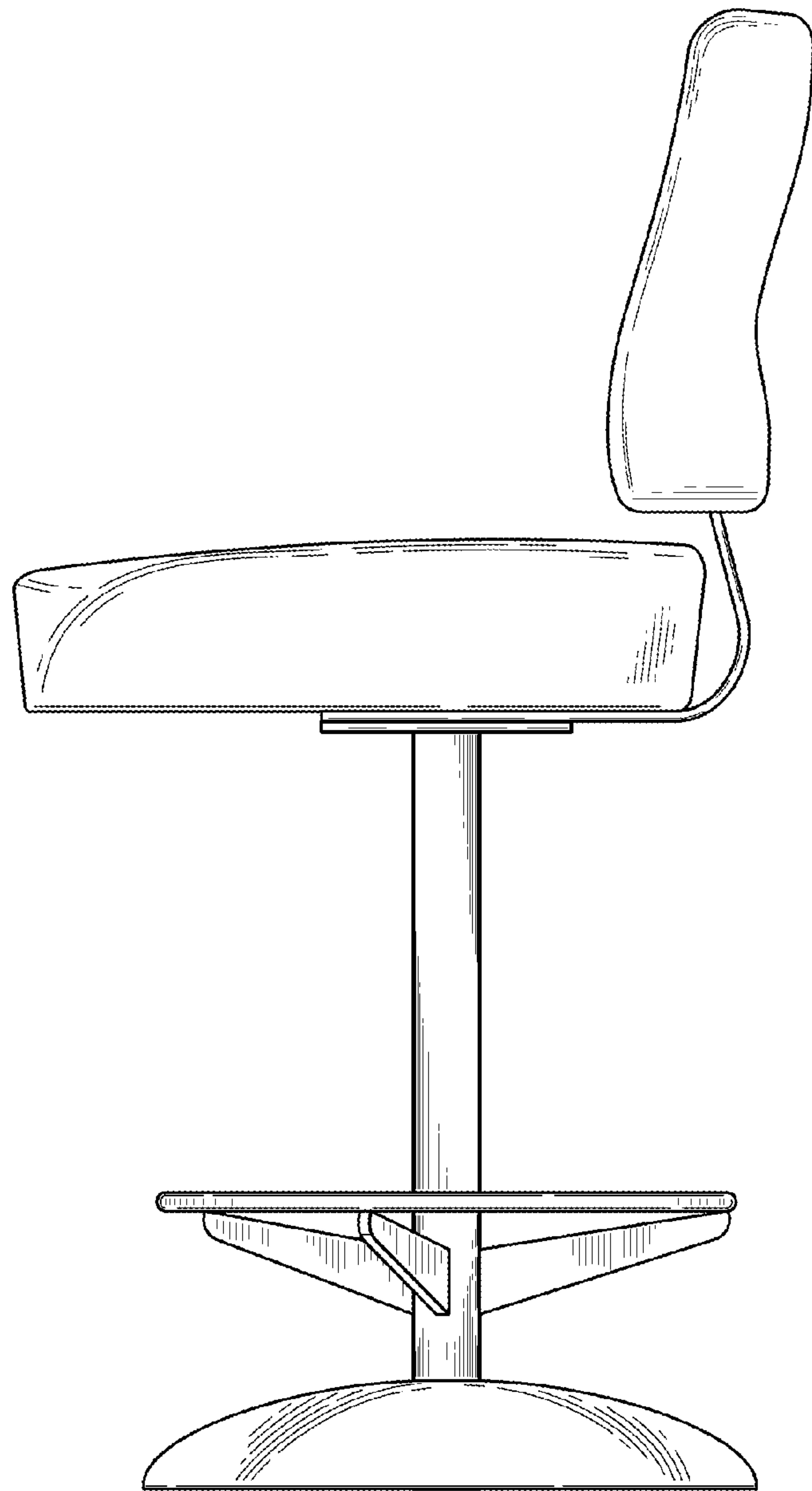


FIG. 5

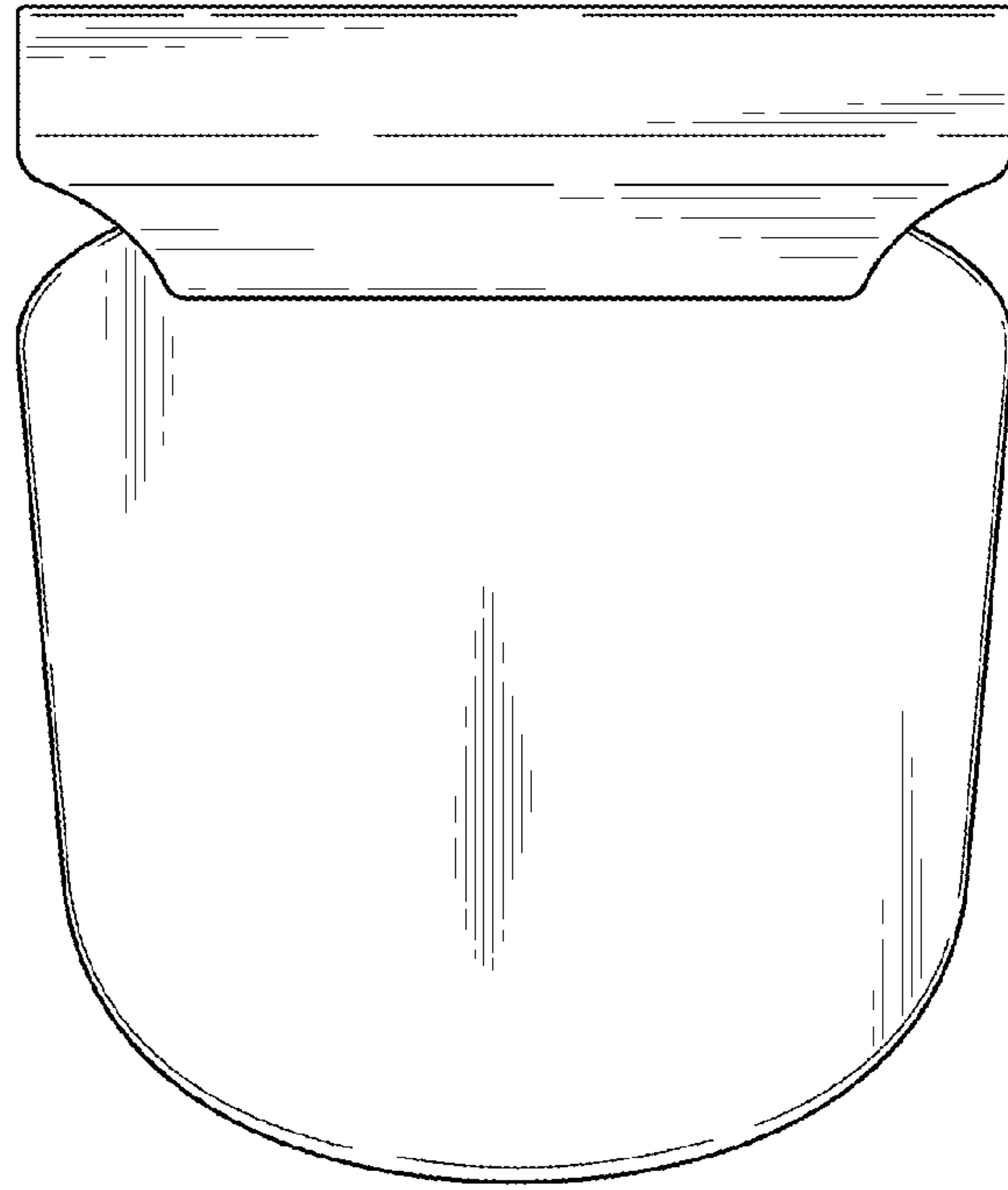


FIG. 6

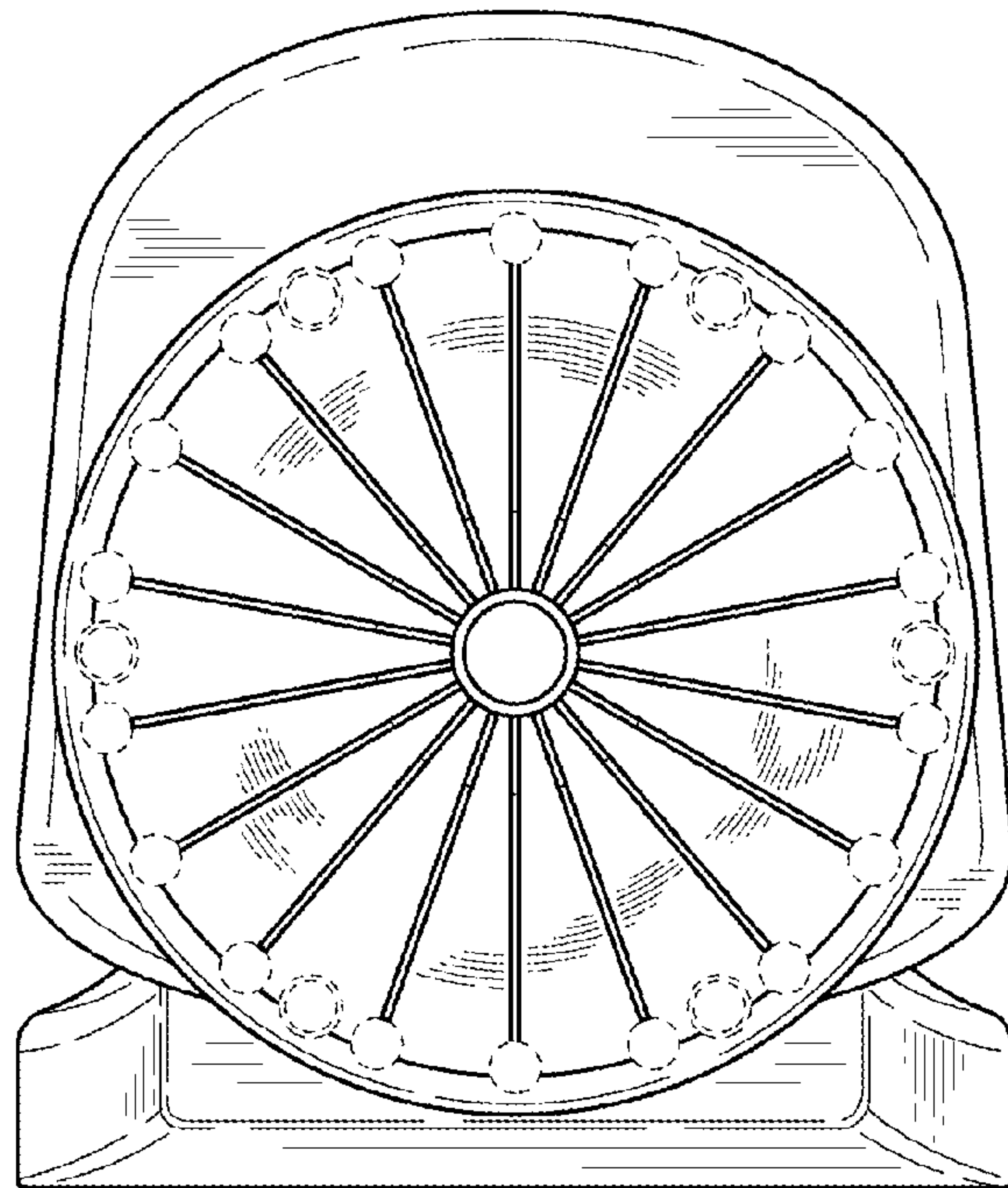


FIG. 7