



US00D665182S

(12) **United States Design Patent**
Hilton et al.

(10) **Patent No.:** **US D665,182 S**
(45) **Date of Patent:** **** Aug. 14, 2012**

- (54) **AIRCRAFT SEAT UNIT**
- (75) Inventors: **Stuart Anthony Eric Hilton**, Auckland (NZ); **Victoria Anne Bamford**, Auckland (NZ); **Kerry Alan Reeves**, Auckland (NZ); **Jamie Stewart Booth**, Auckland (NZ)
- (73) Assignee: **Air New Zealand Limited**, Auckland (NZ)

(**) Term: **14 Years**

(21) Appl. No.: **29/365,712**

(22) Filed: **Jul. 14, 2010**

Related U.S. Application Data

- (63) Continuation-in-part of application No. 29/354,866, filed on Jan. 29, 2010, now abandoned.

(30) **Foreign Application Priority Data**

- Jan. 14, 2010 (NZ) 413216
- Jan. 14, 2010 (NZ) 413218
- Jan. 14, 2010 (NZ) 413219

- (51) **LOC (9) Cl.** **06-01**
- (52) **U.S. Cl.** **D6/360**
- (58) **Field of Classification Search** D6/334–336, D6/360–369, 374, 379–380, 498, 500–502; 264/46.7; 297/232, 353, 354.1, 391, 396, 297/284.4, 411.27, 452.13, 452.19, 452.21, 297/452.24, 452.26, 452.29, 452.32–452.33, 297/452.34, 452.35, 452.37, 452.48, 452.56, 297/452.64

See application file for complete search history.

(56) **References Cited**

U.S. PATENT DOCUMENTS

- 2,719,066 A 9/1955 Budzinski
- D210,660 S * 4/1968 Del Giudice D6/336

- 3,826,434 A 7/1974 Von Beckh
- 3,833,257 A 9/1974 Dove
- 4,113,311 A 9/1978 Reida
- 4,159,071 A 6/1979 Roca
- D253,261 S * 10/1979 Webster D6/336
- 4,526,421 A 7/1985 Brennan et al.
- 4,533,175 A 8/1985 Brennan
- 4,674,713 A 6/1987 Ryan et al.
- D307,524 S * 5/1990 Owen D6/381
- 5,133,587 A 7/1992 Hadden, Jr.
- 5,178,345 A 1/1993 Peltola et al.
- 5,335,882 A 8/1994 Bonacci
- D352,400 S * 11/1994 Yamazaki D6/335
- D353,497 S * 12/1994 Bergkvist et al. D6/356
- 5,383,704 A 1/1995 Granados et al.
- 5,447,359 A 9/1995 Asbjornsen et al.

(Continued)

FOREIGN PATENT DOCUMENTS

- AU 8215191 2/1992

(Continued)

Primary Examiner — Zenia Bennett

(74) *Attorney, Agent, or Firm* — Dann, Dorfman, Herrell and Skillman, P.C.

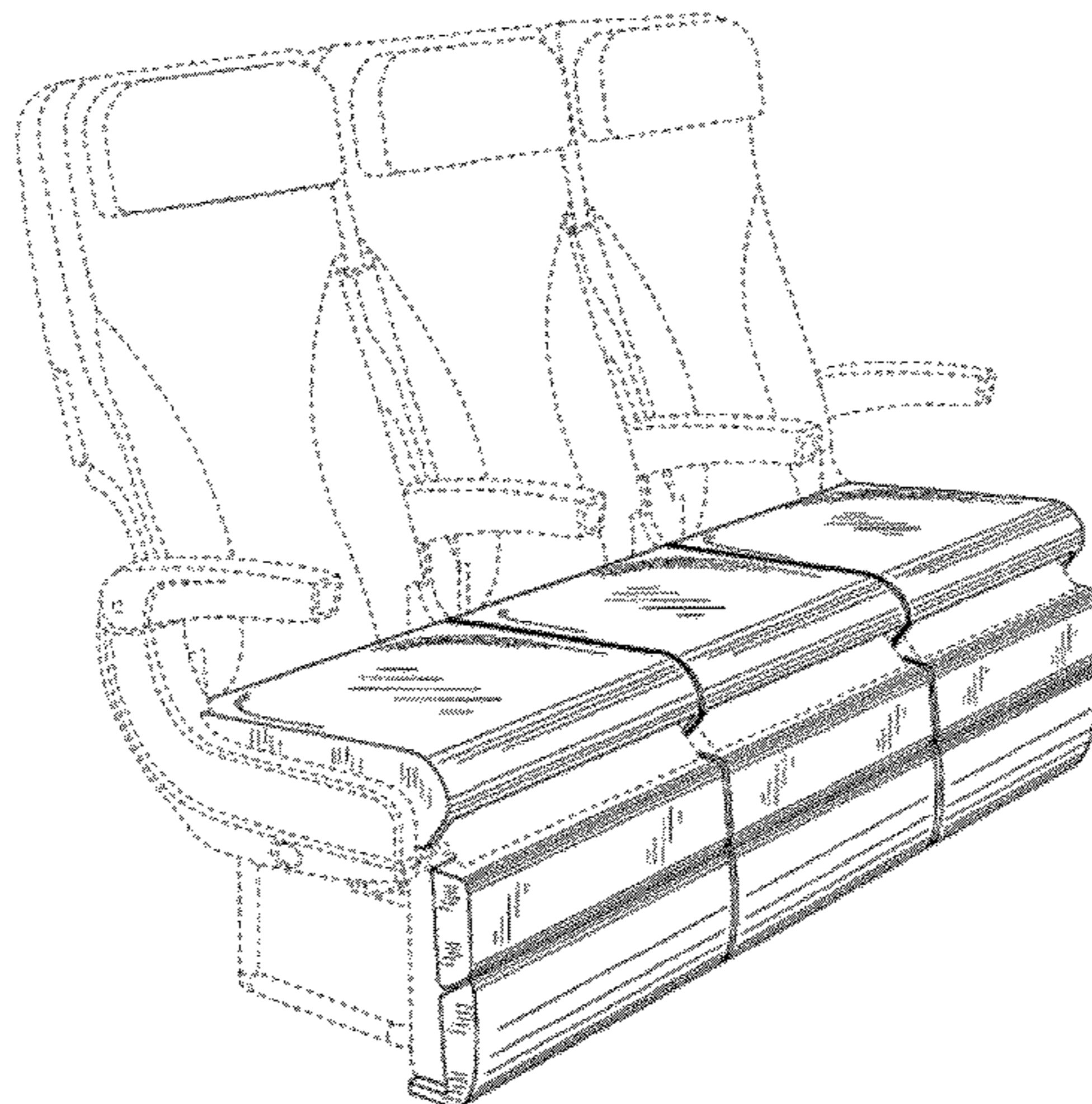
(57) **CLAIM**

We claim the ornamental design for an aircraft seat unit, as shown and described.

DESCRIPTION

FIG. 1 is a top plan view of an aircraft seat unit embodying the design;
 FIG. 2 is a front view thereof;
 FIG. 3 is a left side view thereof;
 FIG. 4 is a top rear perspective view thereof;
 FIG. 5 is a left rear perspective view thereof;
 FIG. 6 is a left front perspective view thereof; and,
 FIG. 7 is a left front perspective view thereof with leg rest portions of the seat unit in a raised position.
 The features shown in broken lines in FIGS. 1 to 7 form no part of the claimed design.

1 Claim, 7 Drawing Sheets



US D665,182 S

Page 2

U.S. PATENT DOCUMENTS

5,611,503	A	3/1997	Brauer	
5,695,240	A	12/1997	Luria	
6,173,921	B1	1/2001	Neumann et al.	
6,237,994	B1	5/2001	Bentley et al.	
6,481,798	B2	11/2002	Romca et al.	
6,550,861	B1	4/2003	Williamson	
6,588,848	B2	7/2003	Cheng	
6,669,143	B1	12/2003	Johnson	
6,742,840	B2	6/2004	Bentley	
6,761,398	B2	7/2004	Bentley et al.	
6,776,455	B2	8/2004	Longtin et al.	
6,792,875	B2	9/2004	Williamson et al.	
6,793,282	B2	9/2004	Plant et al.	
6,811,219	B2	11/2004	Hudswell et al.	
6,835,068	B2	12/2004	Pappas et al.	
D505,284	S *	5/2005	Kalinowski et al.	D6/502
6,899,397	B2	5/2005	Johnson	
D510,825	S *	10/2005	Kalinowski et al.	D6/502
7,055,904	B2	6/2006	Skelly et al.	
7,111,904	B2	9/2006	Dowty et al.	
7,131,698	B2	11/2006	Dowty et al.	
7,134,729	B2	11/2006	Dowty et al.	
7,252,340	B2	8/2007	Johnson	
7,341,309	B2	3/2008	Penley et al.	
7,458,643	B2	12/2008	Johnson	
7,506,930	B2	3/2009	Penley et al.	
7,520,469	B2	4/2009	Baumann	
D606,344	S *	12/2009	Aruga et al.	D6/501
D614,413	S *	4/2010	Plant	D6/356
D614,879	S *	5/2010	Higashida et al.	D6/356
D632,105	S *	2/2011	Aruga et al.	D6/500
2003/0071507	A1	4/2003	Sankrithi	
2003/0094837	A1	5/2003	Williamson et al.	
2003/0111888	A1	6/2003	Brennan	
2004/0021349	A1	2/2004	Longtin et al.	
2004/0094998	A1	5/2004	Williamson et al.	
2005/0194828	A1	9/2005	Johnson et al.	
2006/0181105	A1	8/2006	Puschmann	
2007/0018494	A1	1/2007	Gutosky	
2007/0138848	A1	6/2007	Schurg et al.	
2007/0158992	A1	7/2007	Dowty et al.	
2007/0170311	A1	7/2007	Schuld et al.	
2007/0267543	A1	11/2007	Boren et al.	

2008/0079303	A1	4/2008	Penley et al.
2008/0116731	A1	5/2008	Schurg et al.
2008/0290715	A1	11/2008	Fullerton et al.

FOREIGN PATENT DOCUMENTS

AU	745388	5/2000
CA	2340141	9/2001
DE	3922582	1/1990
DE	19939432	3/2000
EP	0229625	1/1987
EP	0385861	3/1993
EP	0539444	9/1995
EP	1132294	9/2001
EP	1308344	5/2003
EP	1252038	3/2004
EP	1013545	6/2005
EP	1078852	10/2005
EP	1461224	6/2006
EP	1683719	7/2007
EP	1854718	11/2007
GB	2288728	11/1995
GB	2292676	3/1996
GB	2437164	10/2007
WO	9201409	2/1992
WO	9503969	2/1995
WO	0154941	8/2001
WO	03064207	8/2003
WO	2005058632	6/2005
WO	2005058633	6/2005
WO	2005060591	7/2005
WO	2005060598	7/2005
WO	2005060599	7/2005
WO	2005060793	7/2005
WO	2005073083	8/2005
WO	2005095210	10/2005
WO	2006021766	3/2006
WO	2006041417	4/2006
WO	2006093072	9/2006
WO	2007015832	2/2007
WO	2007100662	9/2007
WO	2007128978	11/2007
WO	2007136578	11/2007
WO	2008143249	11/2008
WO	2008147720	12/2008

* cited by examiner

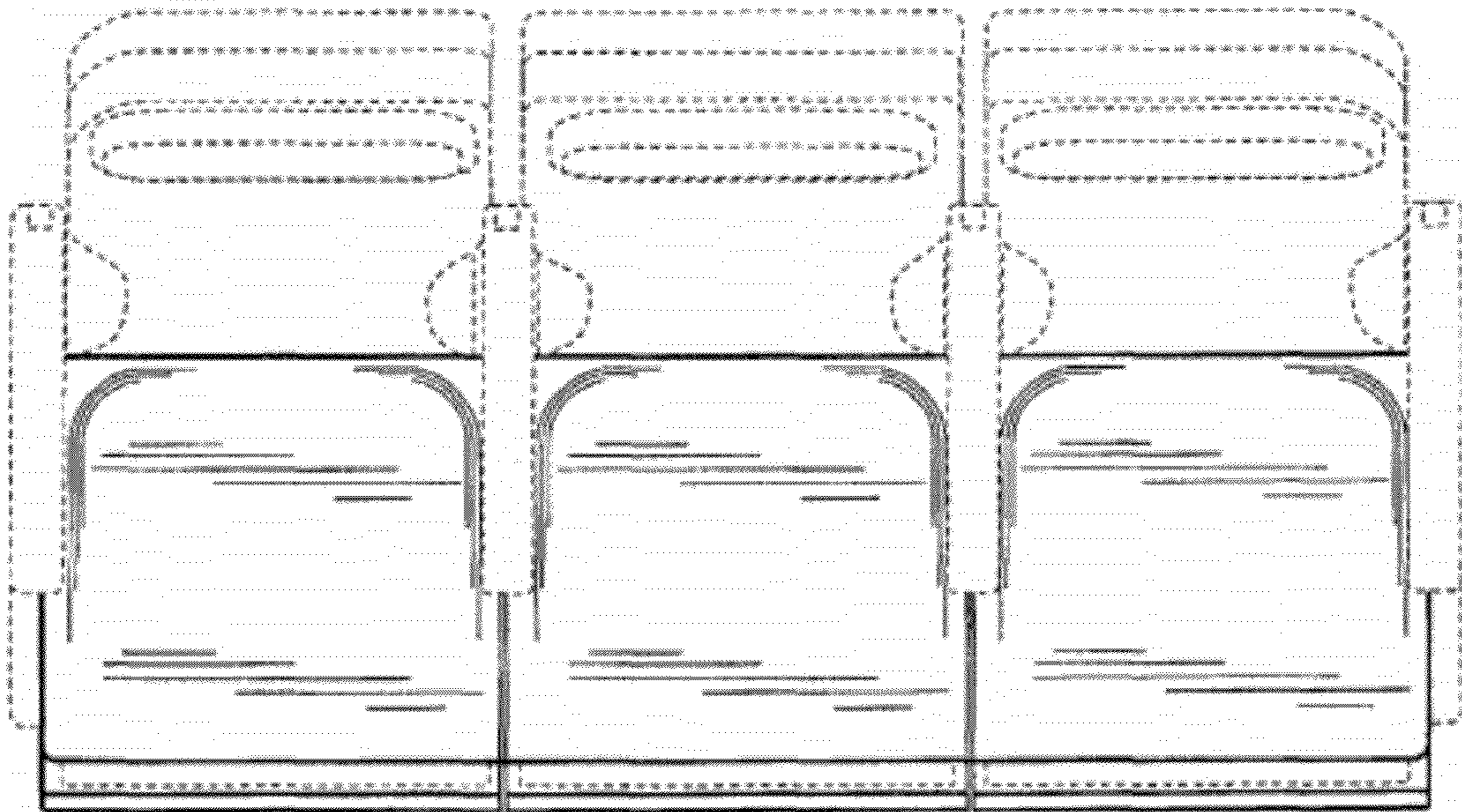


FIG. 1

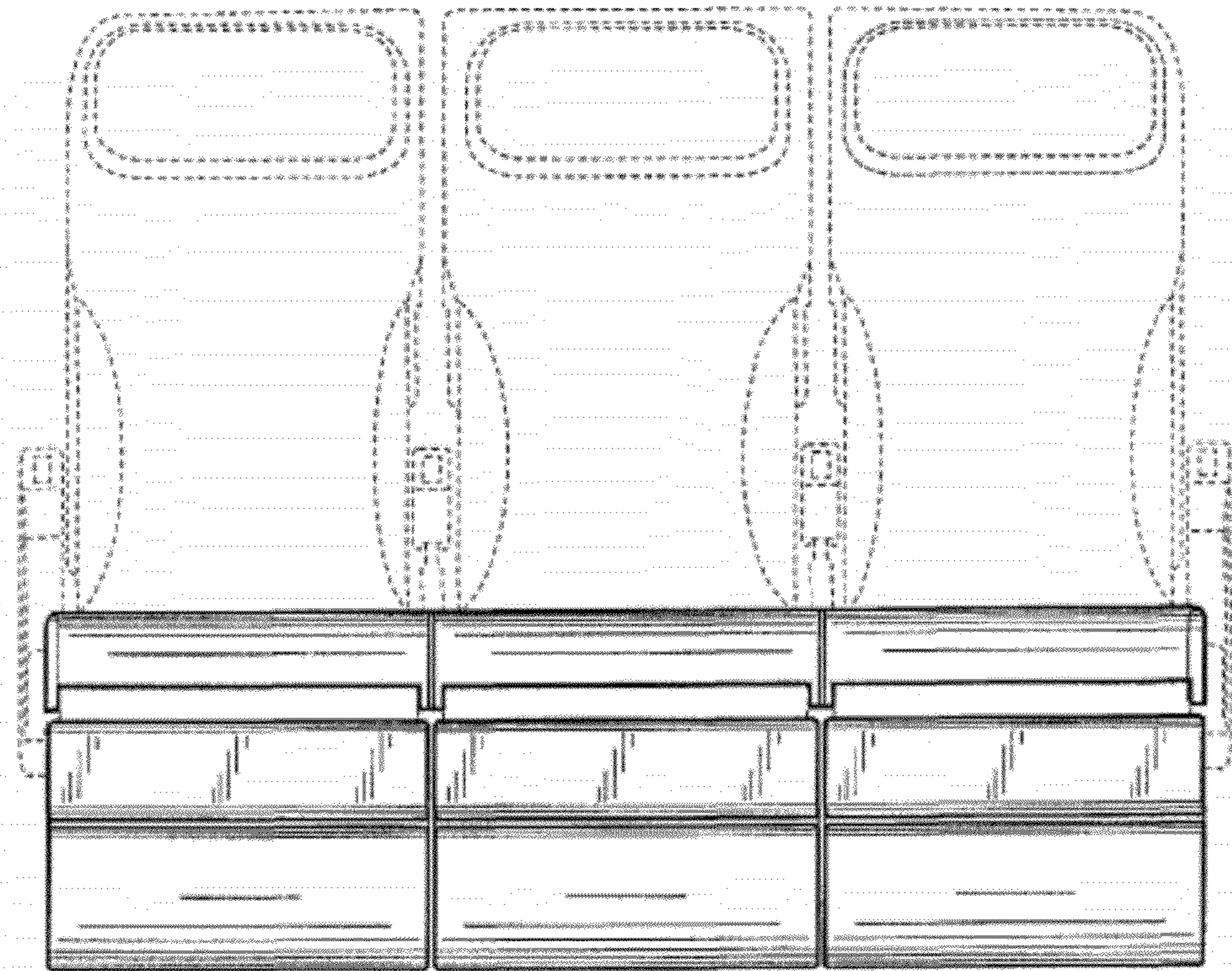


FIG. 2

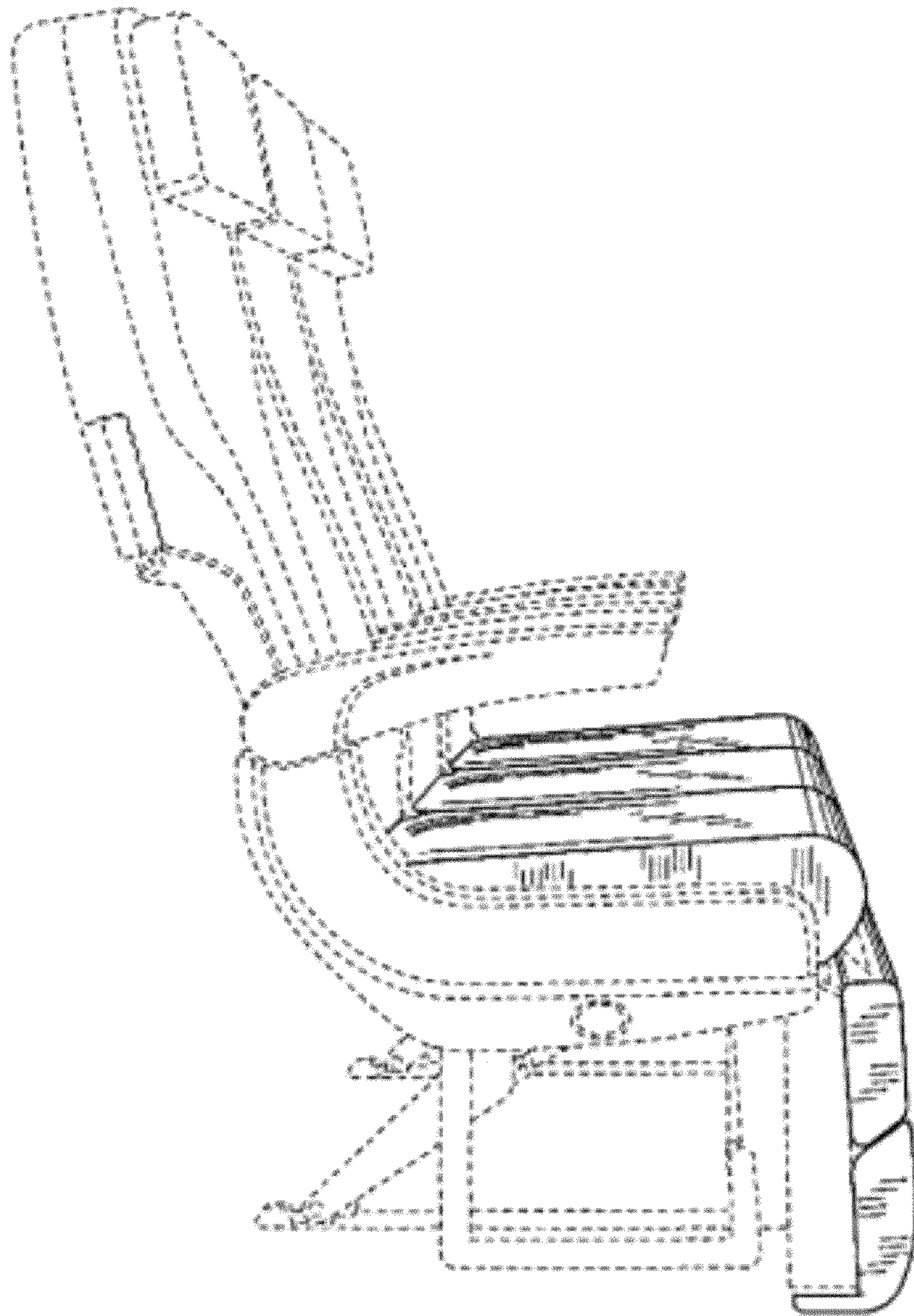


FIG. 3

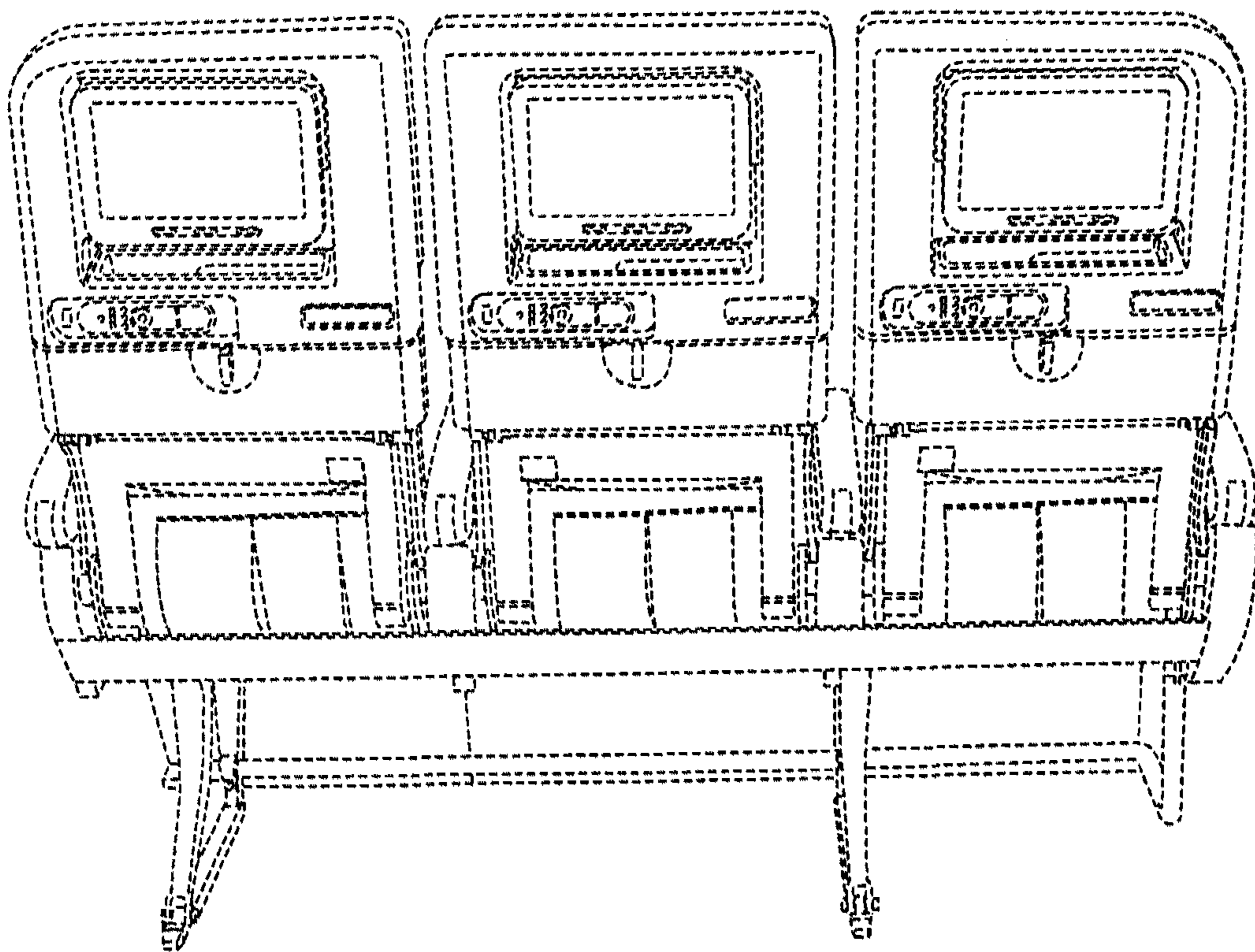


FIG. 4

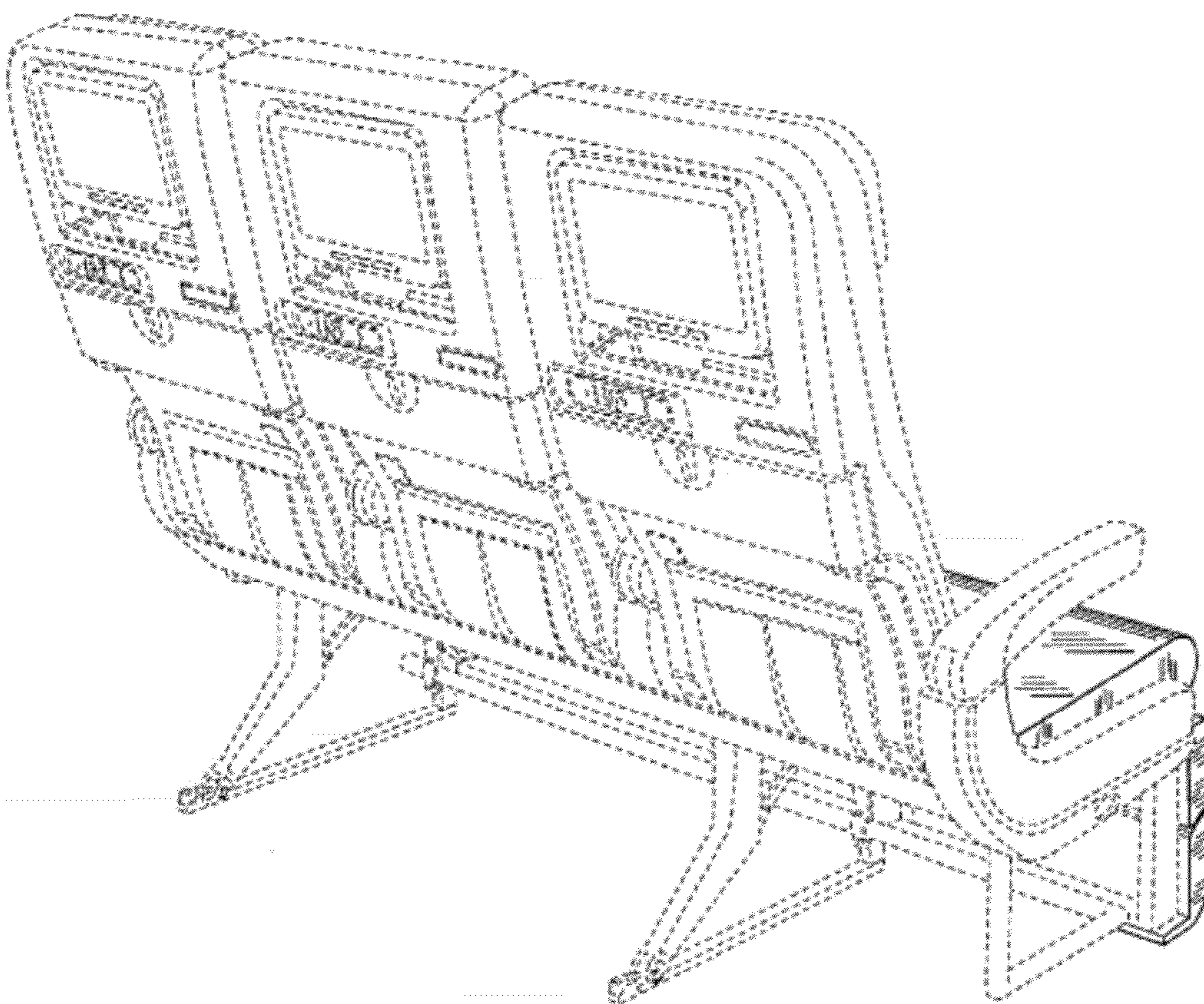


FIG. 5

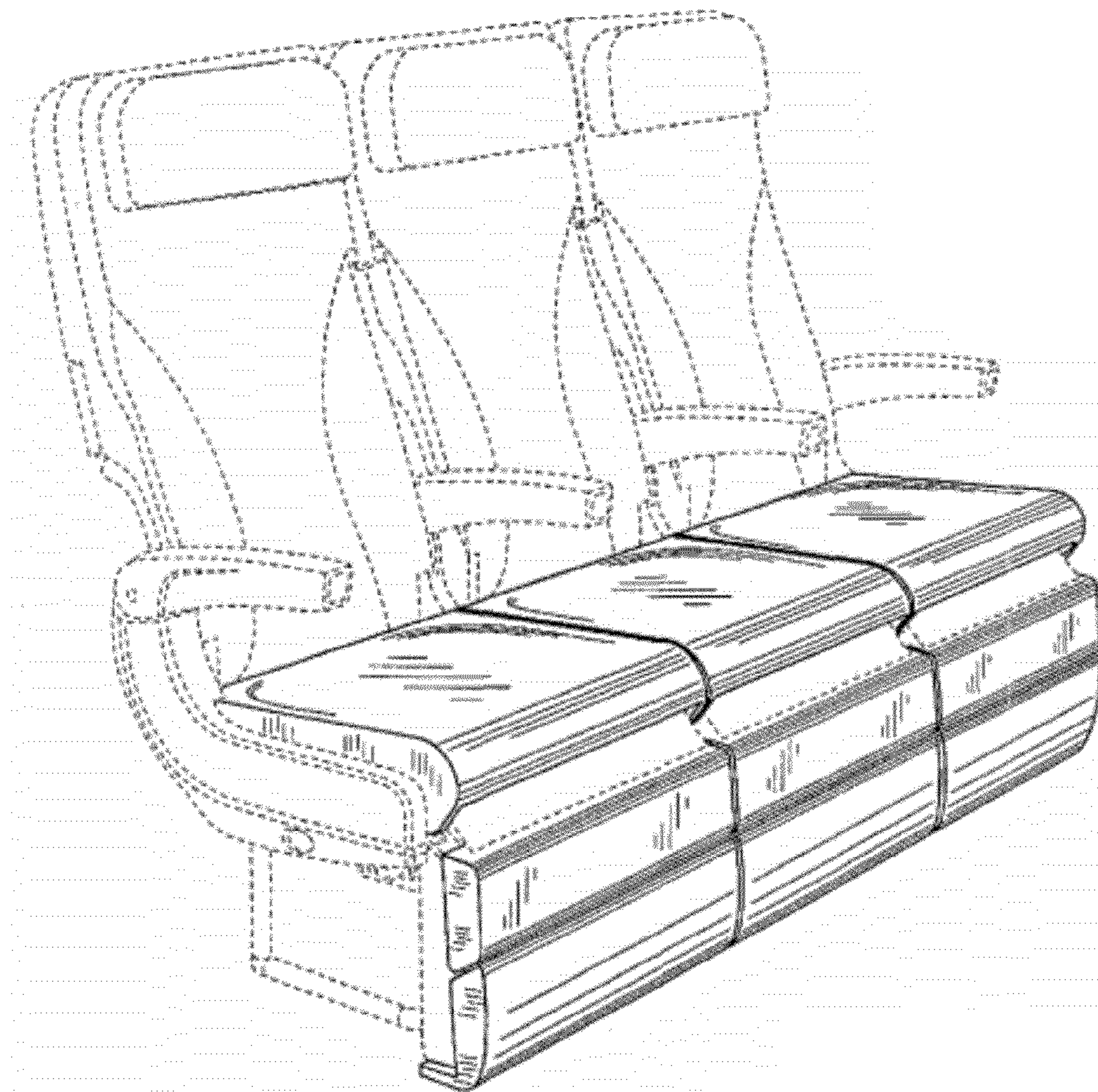


FIG. 6

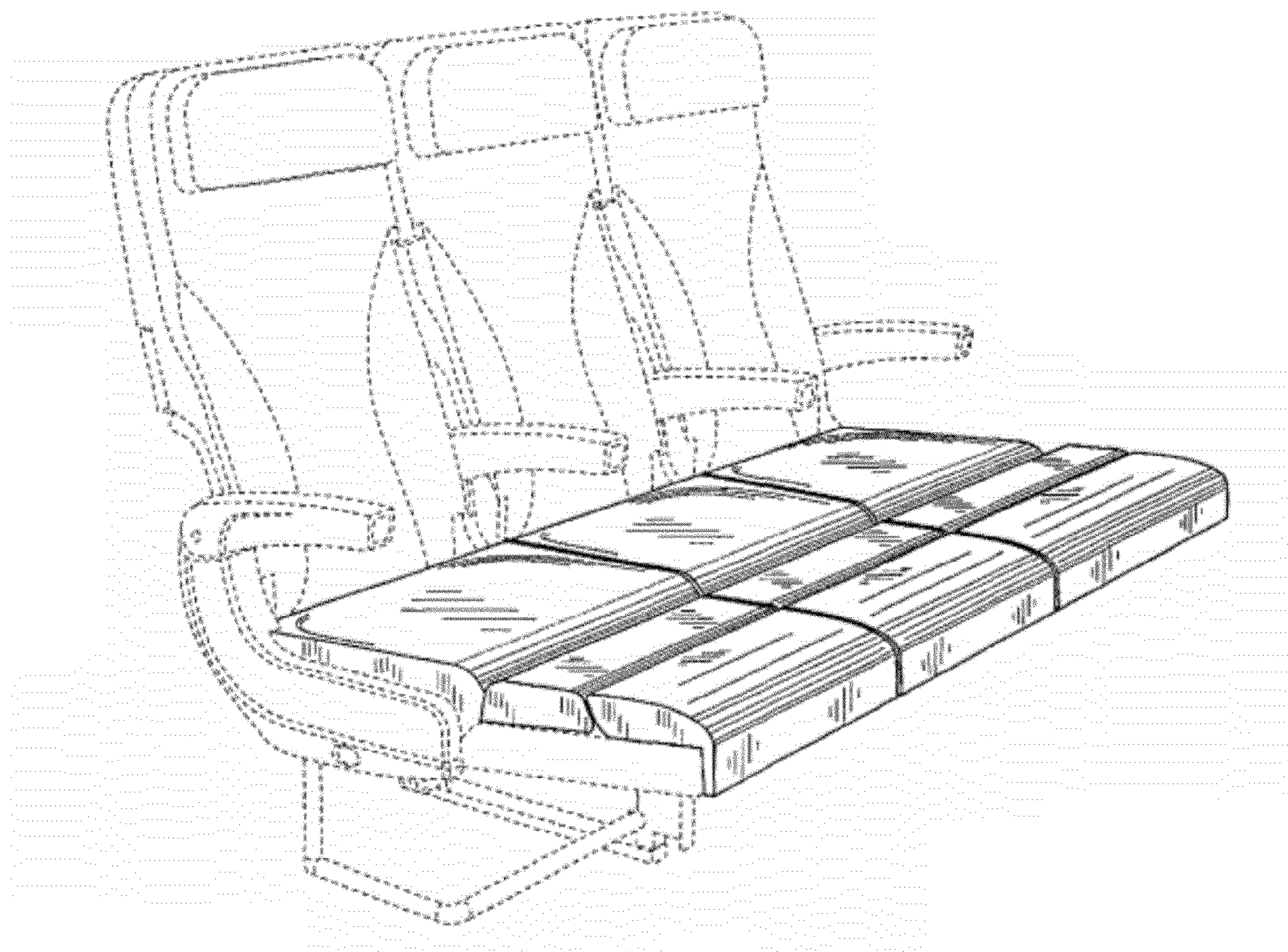


FIG. 7