



US00D665180S

(12) **United States Design Patent**
Ekelchik

(10) **Patent No.:** **US D665,180 S**

(45) **Date of Patent:** **** Aug. 14, 2012**

(54) **UTILITY STEP**

(76) Inventor: **Gloria Ekelchik**, Canyon Country, CA
(US)

(**) Term: **14 Years**

(21) Appl. No.: **29/407,226**

(22) Filed: **Nov. 23, 2011**

(51) **LOC (9) Cl.** **06-01**

(52) **U.S. Cl.** **D6/353**

(58) **Field of Classification Search** D6/335,
D6/340, 349-355, 495, 500-502; 297/16.1,
297/175, 187, 195.1, 423.1, 423.11, 423.14,
297/423.16, 461, 462

See application file for complete search history.

(56) **References Cited**

U.S. PATENT DOCUMENTS

2,765,112	A	*	10/1956	Derman	229/122.21
4,191,113	A	*	3/1980	Hogberg	108/157.16
D265,026	S	*	6/1982	Macho et al.	D6/353
4,366,998	A	*	1/1983	Kaiser	312/235.1
D273,252	S	*	4/1984	Markson	D6/353
4,630,861	A	*	12/1986	Henschel	297/44
4,813,742	A	*	3/1989	Cardinael	297/423.41
4,991,908	A	*	2/1991	Krechel	297/423.41
D324,085	S	*	2/1992	Morton	D3/276
5,244,255	A	*	9/1993	Mill	297/423.41
D367,563	S	*	3/1996	Murken	D6/353
D531,429	S	*	11/2006	Henschel	D6/480
D553,372	S	*	10/2007	Henschel	D6/353

D554,875	S	*	11/2007	Emert	D6/353
D579,680	S	*	11/2008	Emert	D6/353
D600,928	S	*	9/2009	Rake	D6/353
D600,929	S	*	9/2009	Kemnitzer	D6/353

* cited by examiner

Primary Examiner — Sandra Snapp

(74) *Attorney, Agent, or Firm* — James A. Italia; Italia IP

(57) **CLAIM**

The ornamental design for a utility step, as shown and described.

DESCRIPTION

FIG. 1 is a perspective view of a utility step, showing my new design;

FIG. 2 is a front elevational view of the utility step shown in FIG. 1;

FIG. 3 is a rear elevational view of the utility step shown in FIG. 1;

FIG. 4 is a left-side elevational view of the utility step shown in FIG. 1;

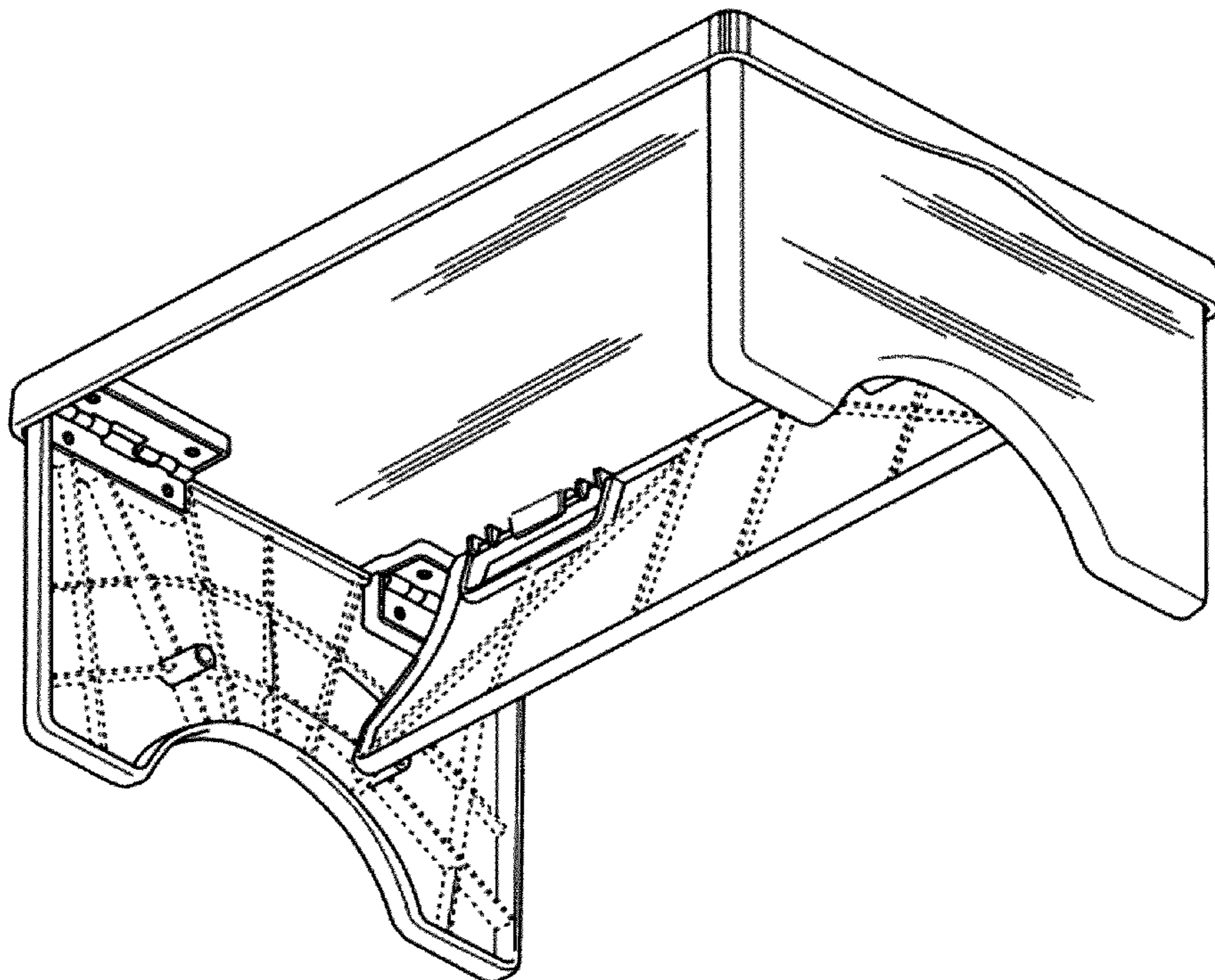
FIG. 5 is a right-side elevational view of the utility step shown in FIG. 1;

FIG. 6 is a top plan view of the utility step shown in FIG. 1; and,

FIG. 7 is a bottom plan view of the utility step shown in FIG. 1.

The broken lines shown in the drawings are for illustrative purposes only and form no part of the claimed design.

1 Claim, 4 Drawing Sheets



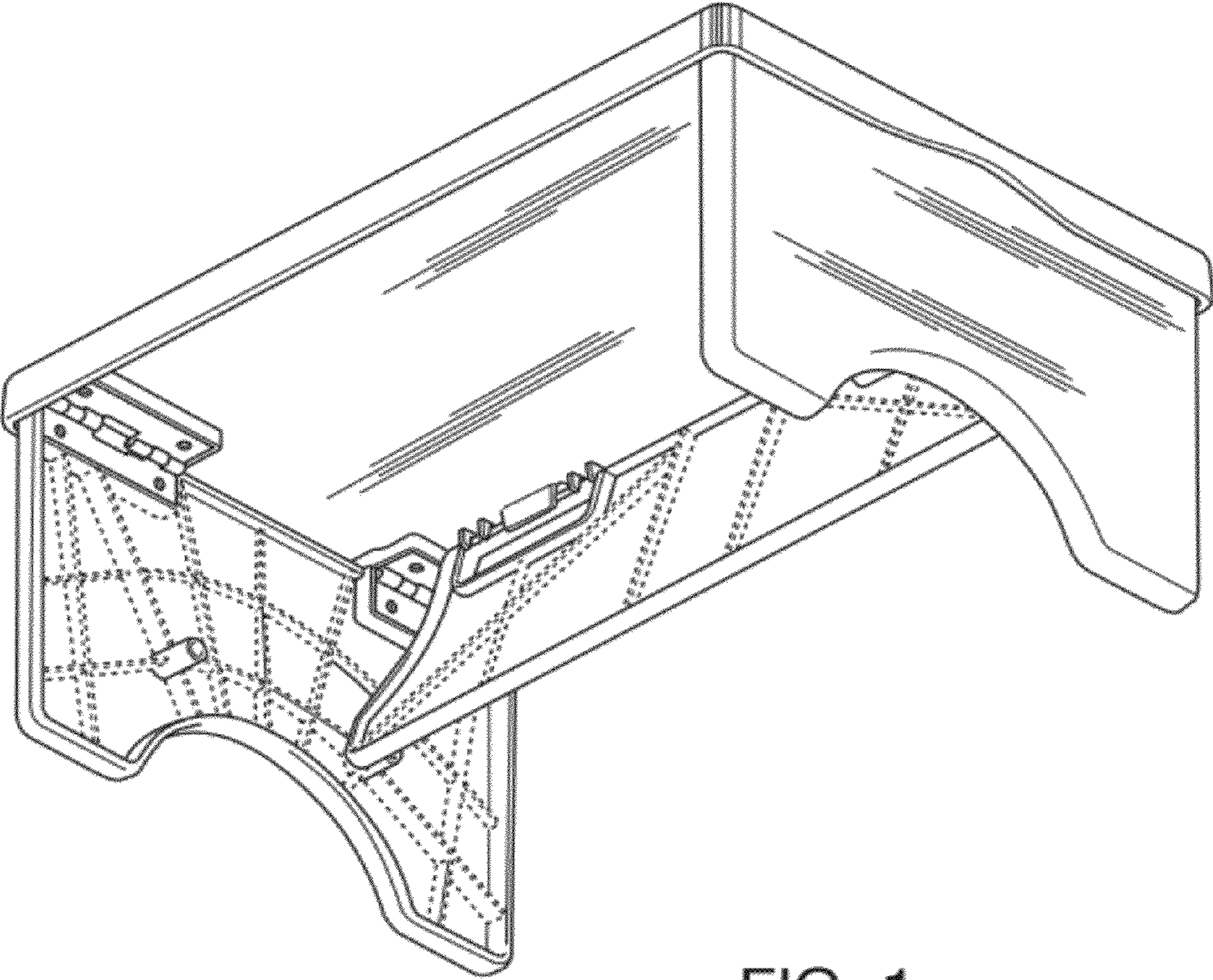


FIG. 1

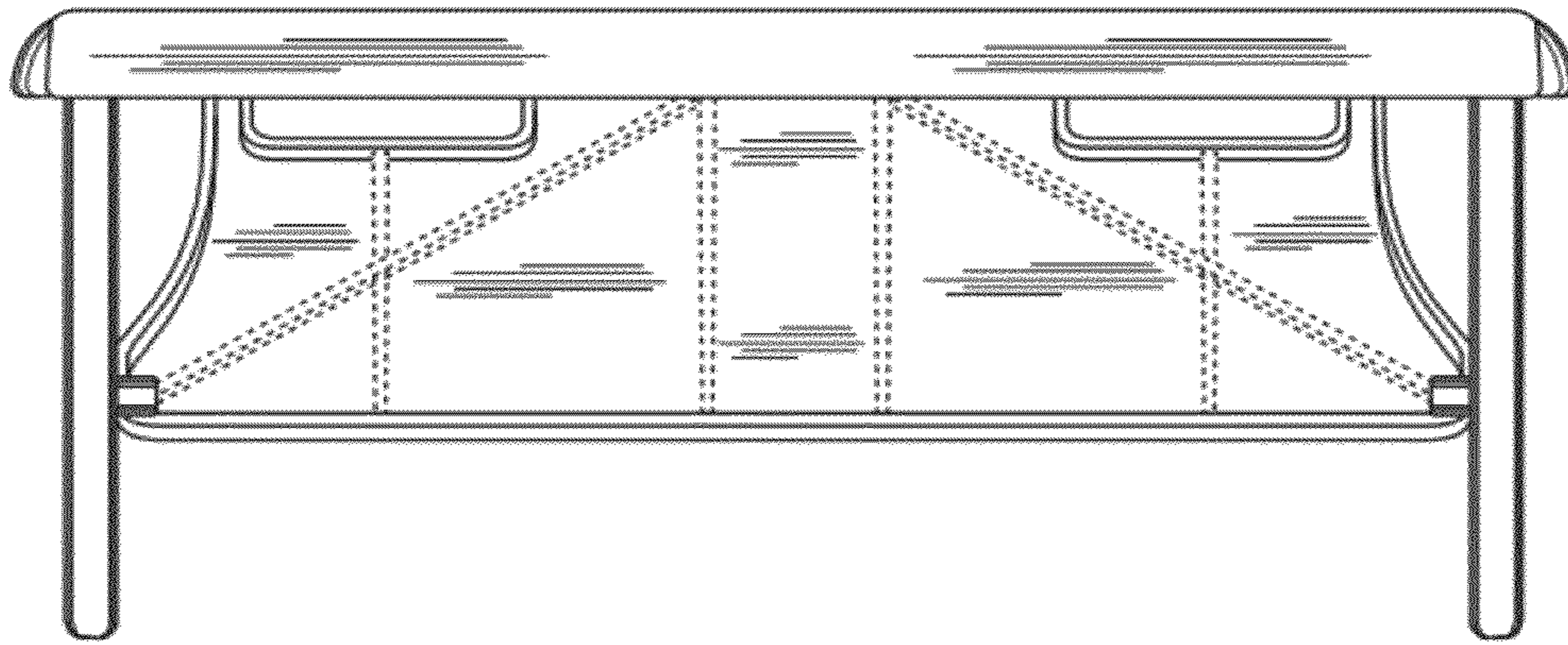


FIG. 2

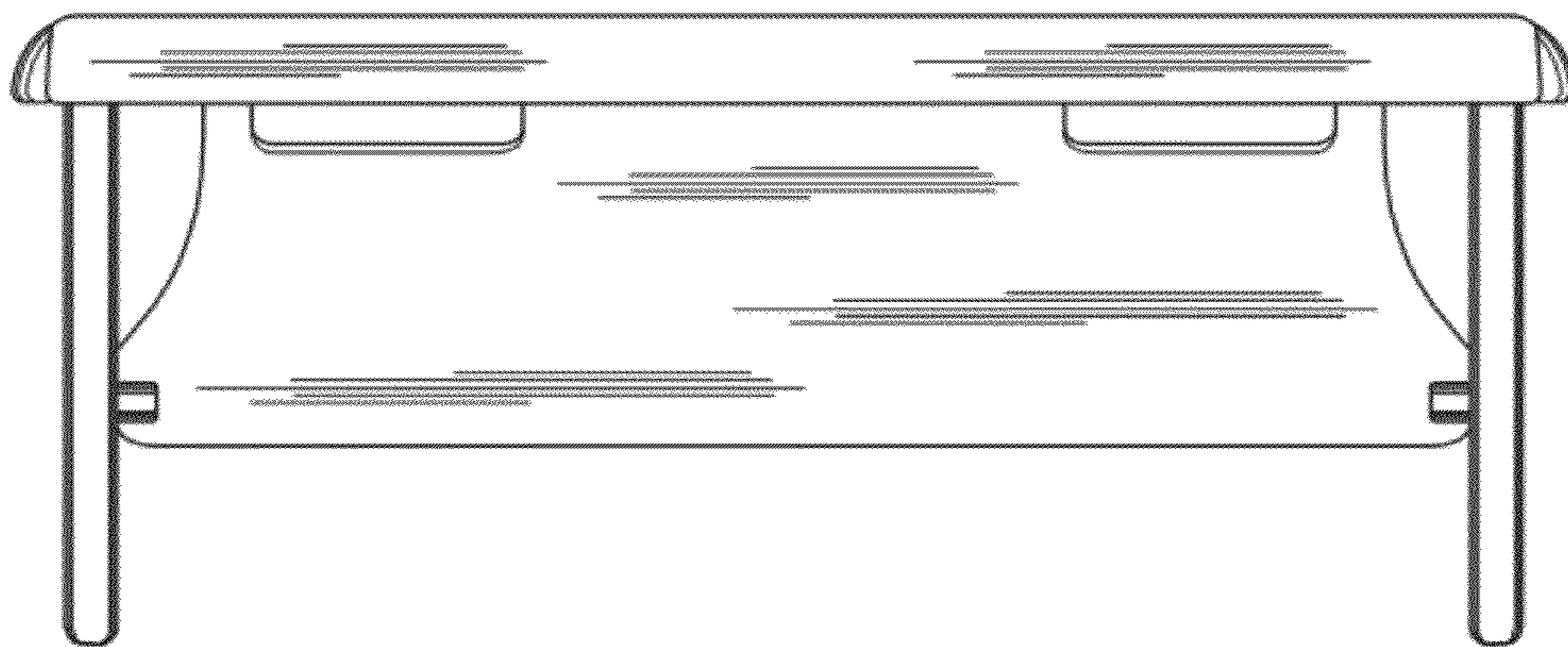


FIG. 3

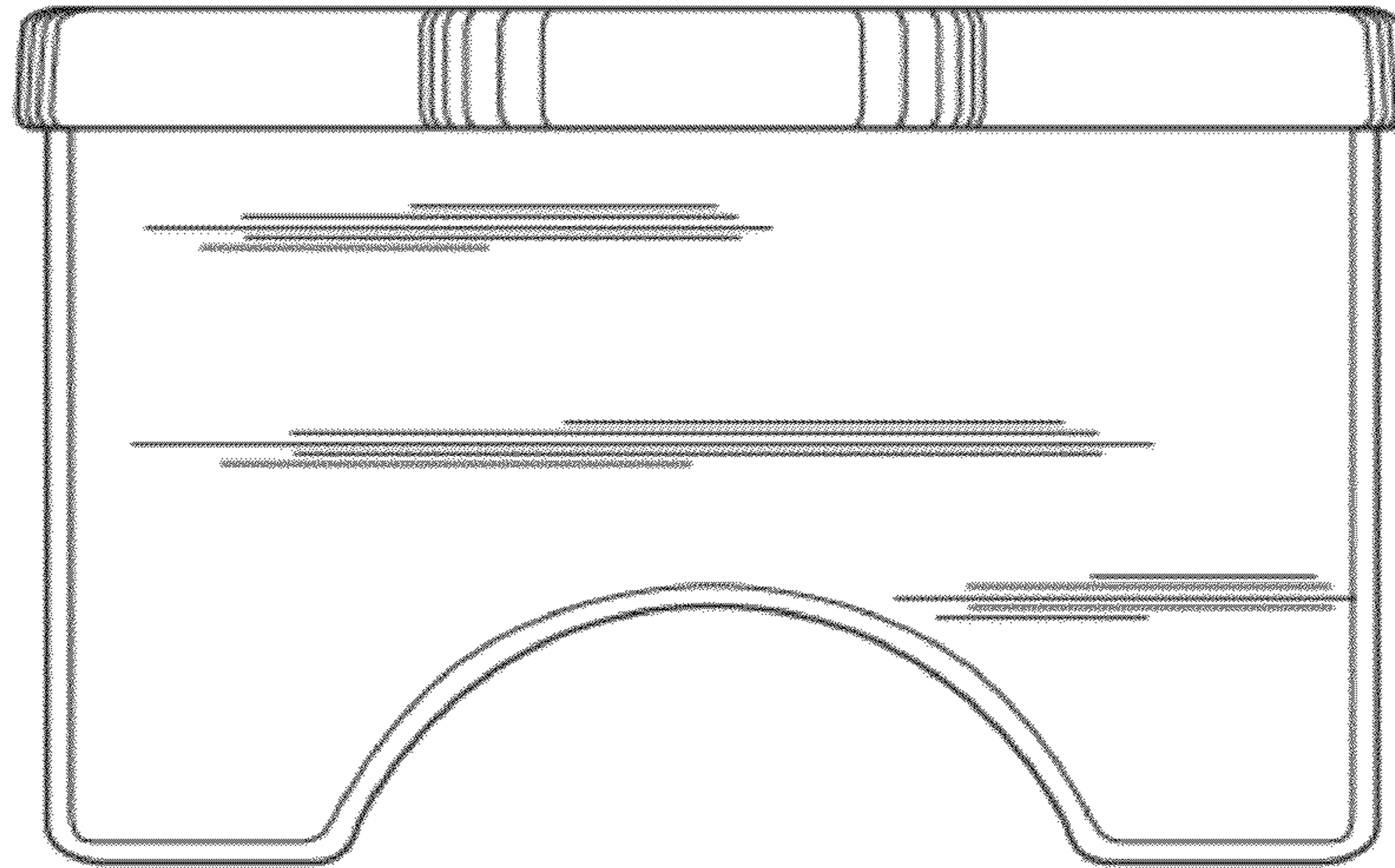


FIG. 4

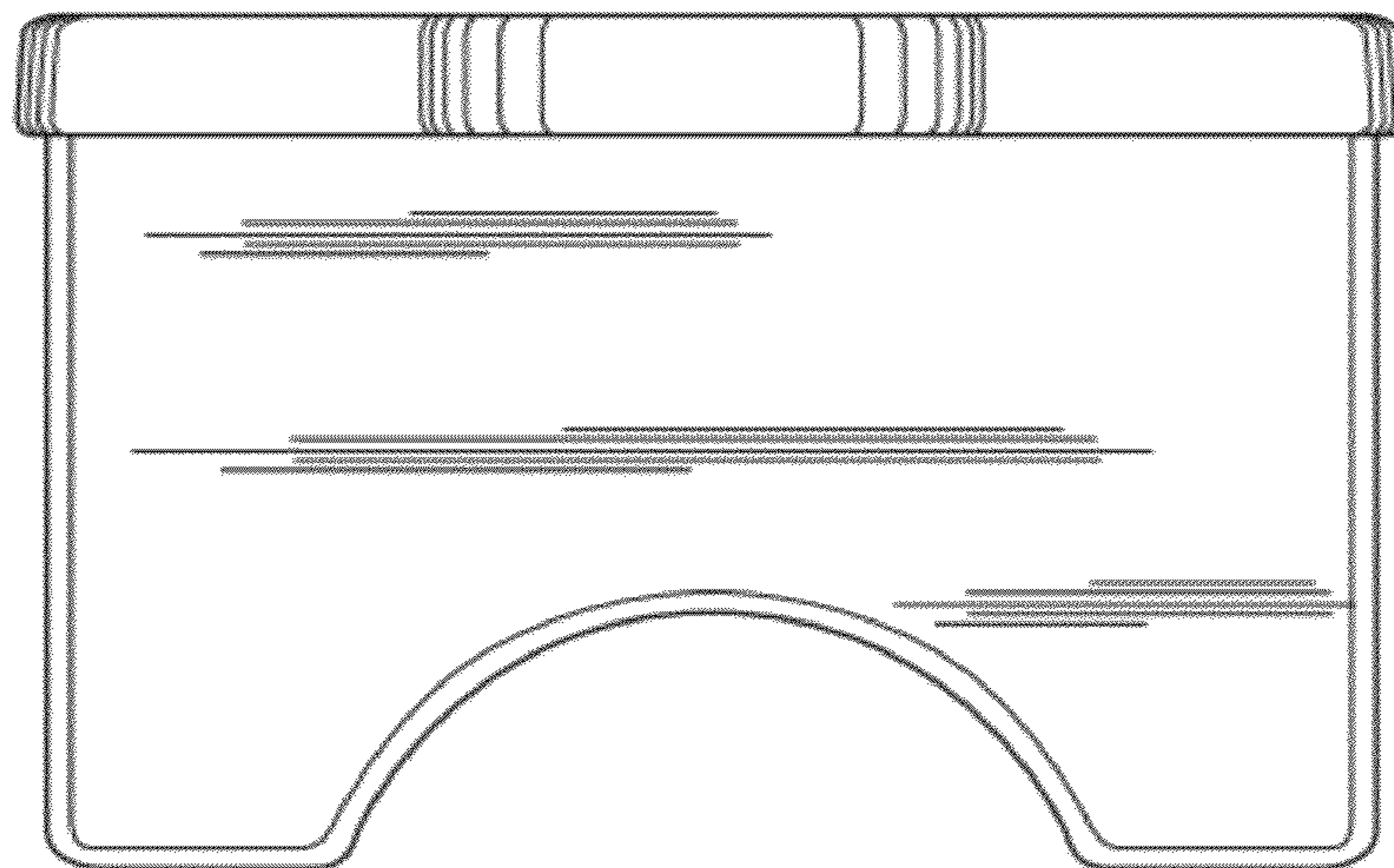


FIG. 5

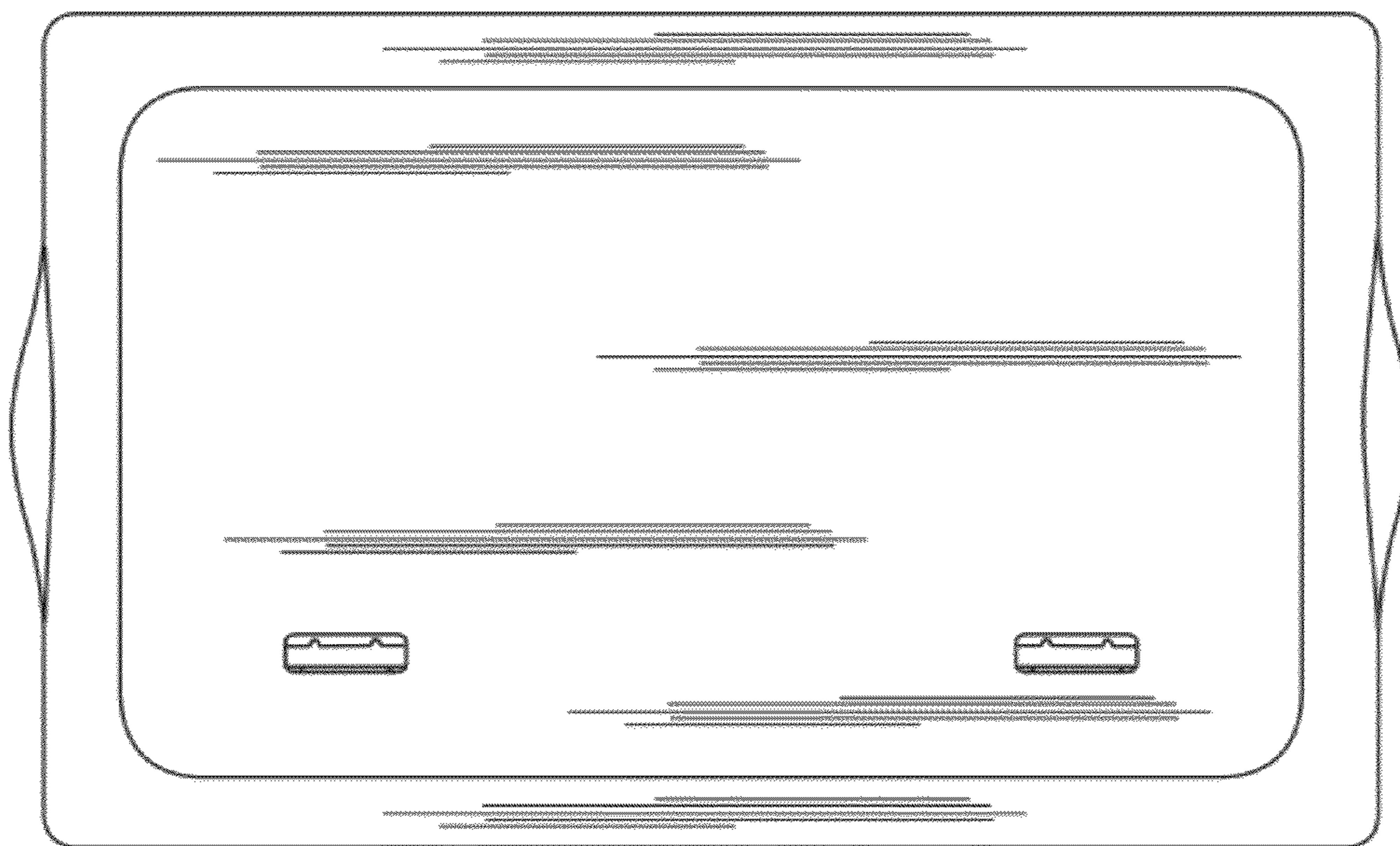


FIG. 6

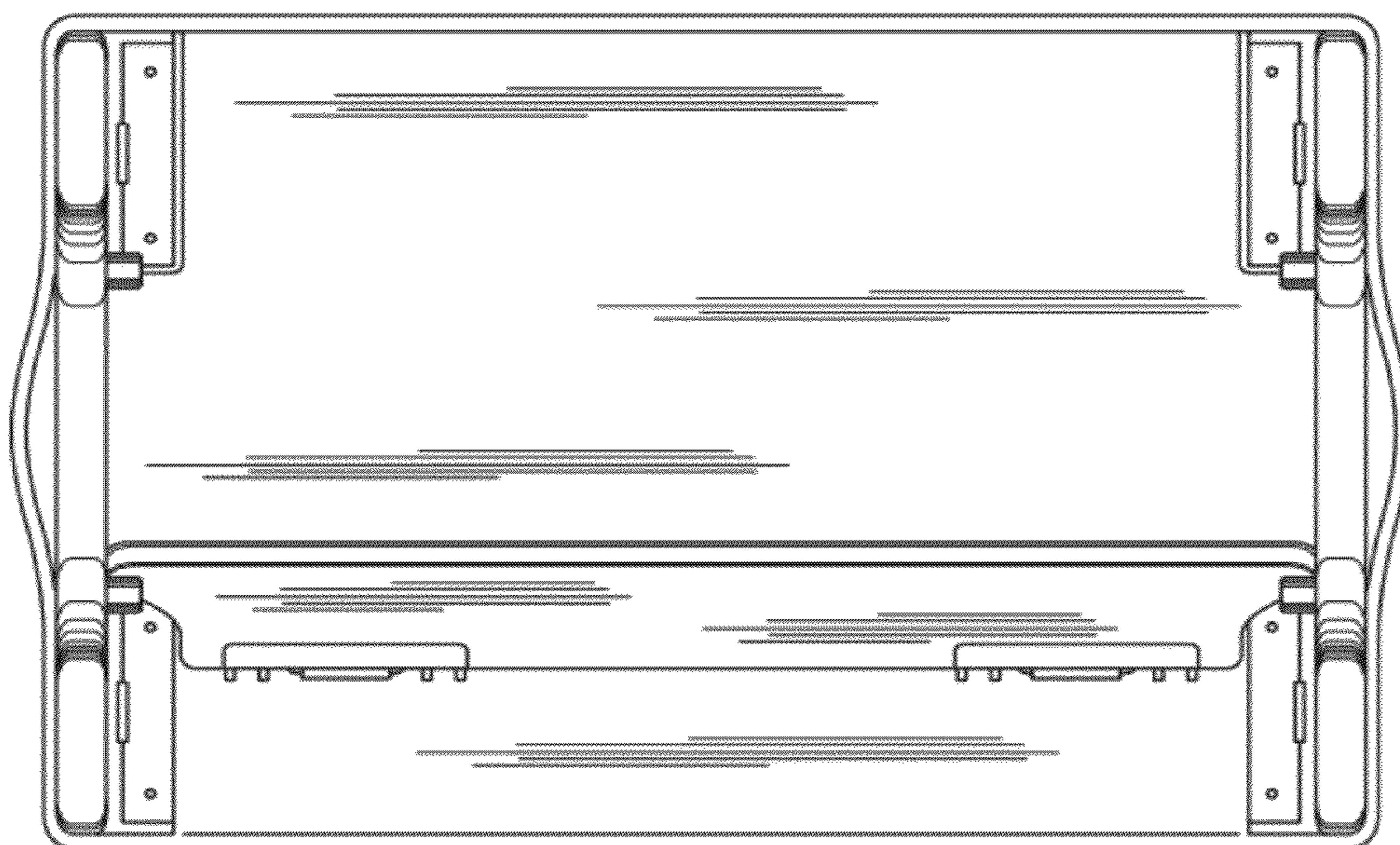


FIG. 7