

US00D665179S

(12) **United States Design Patent**
Pelosi

(10) **Patent No.:** **US D665,179 S**

(45) **Date of Patent:** **** Aug. 14, 2012**

(54) **SWING ARM PANT HANGER**

(75) Inventor: **Raymond J. Pelosi**, Clifton, NJ (US)

(73) Assignee: **United Storage Technologies, Inc.**,
Clifton, NJ (US)

(**) Term: **14 Years**

(21) Appl. No.: **29/392,154**

(22) Filed: **May 18, 2011**

(51) **LOC (9) Cl.** **06-08**

(52) **U.S. Cl.** **D6/317; D6/319**

(58) **Field of Classification Search** D6/315,
D6/317, 318, 319, 328; 211/1, 13.1, 85.3,
211/183, 105.1, 105.2, 105.3, 106.1; 223/85-98;
248/74.2, 317, 339; D8/301, 315, 349, 370,
D8/37, 376, 380, 381; D3/315; 206/300,
206/348, 806

See application file for complete search history.

(56) **References Cited**

U.S. PATENT DOCUMENTS

D206,301 S *	11/1966	Moses	D6/315
D206,302 S *	11/1966	Moses	D6/315
3,592,343 A *	7/1971	Swett et al.	211/123
4,778,088 A *	10/1988	Miller	223/91
5,040,707 A *	8/1991	Ayano et al.	223/96

D320,699 S *	10/1991	Beloe	D6/317
D333,731 S *	3/1993	Klein et al.	D6/317
5,193,695 A *	3/1993	Mann	211/104
5,421,465 A *	6/1995	Dunner, Jr.	211/115
D363,185 S *	10/1995	Thompson	D6/513
D401,705 S *	11/1998	Jones	D32/58
D612,618 S *	3/2010	Levin et al.	D6/315

* cited by examiner

Primary Examiner — Prabhakar Deshmukh

(74) *Attorney, Agent, or Firm* — Siegmar Silber, Esq.

(57) **CLAIM**

The ornamental design for a swing arm pant hanger, as shown and described.

DESCRIPTION

FIG. 1 is a perspective view of a swing arm pant hanger showing my new design, the broken lines environment is for illustrative purpose only and forms no part of the claimed design;

FIG. 2 is a front elevational view of FIG. 1, the rear elevational view not being shown as it is a mirror image hereof;

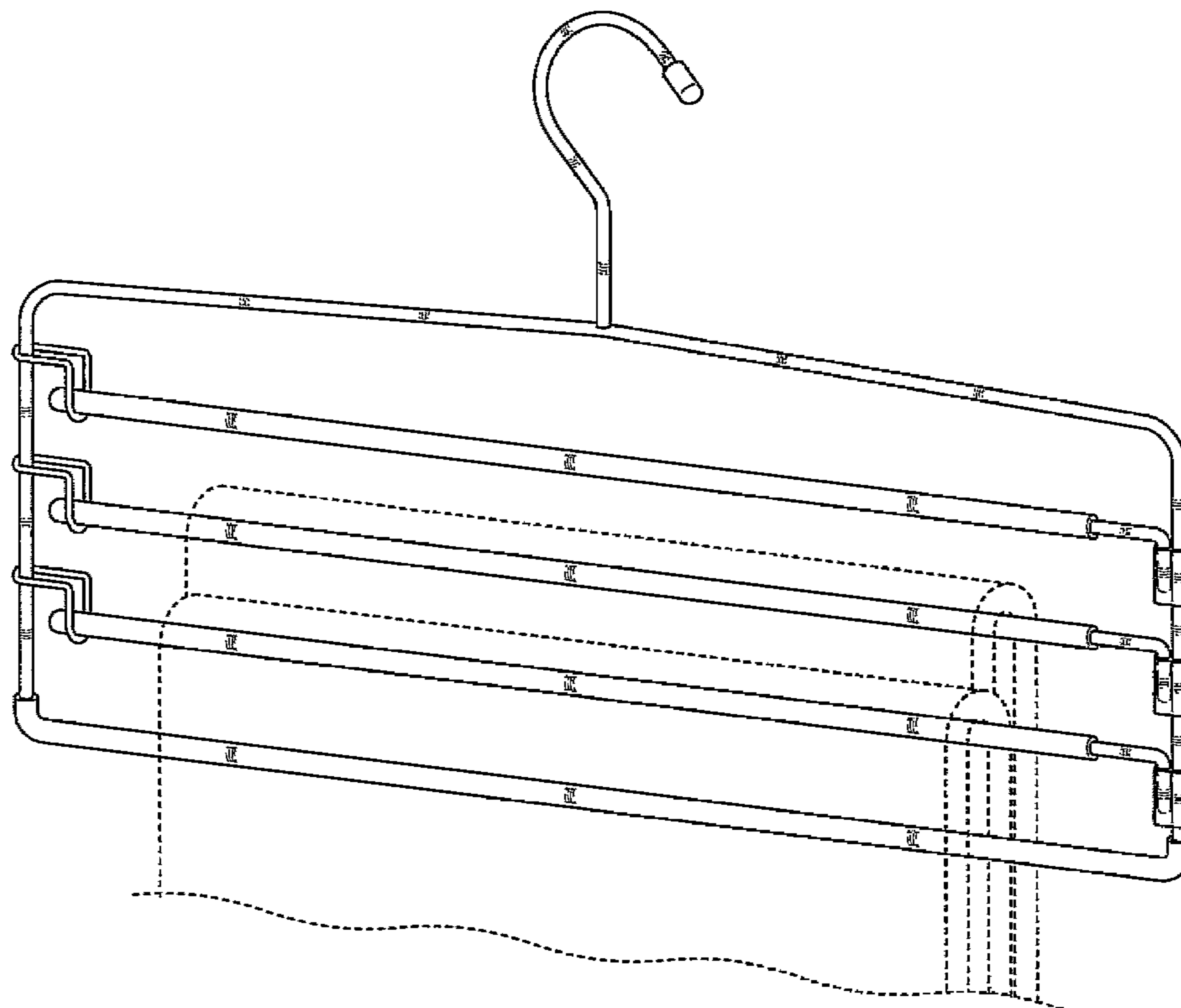
FIG. 3 is a left side elevational view of FIG. 2,

FIG. 4 is a right side elevational of FIG. 2;

FIG. 5 is a top plan view of FIG. 2; and,

FIG. 6 is a bottom plan view of FIG. 2.

1 Claim, 4 Drawing Sheets



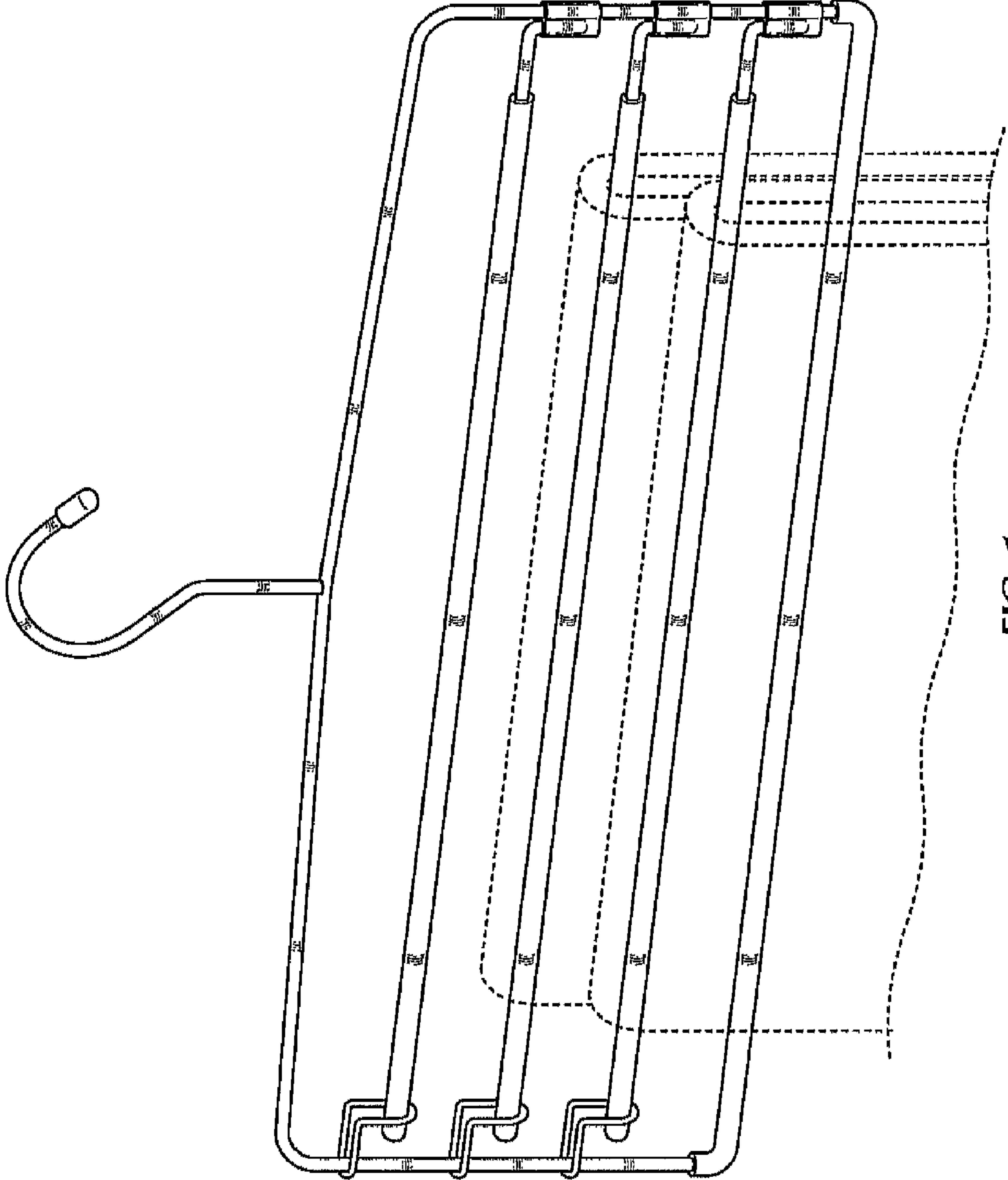


FIG. 1

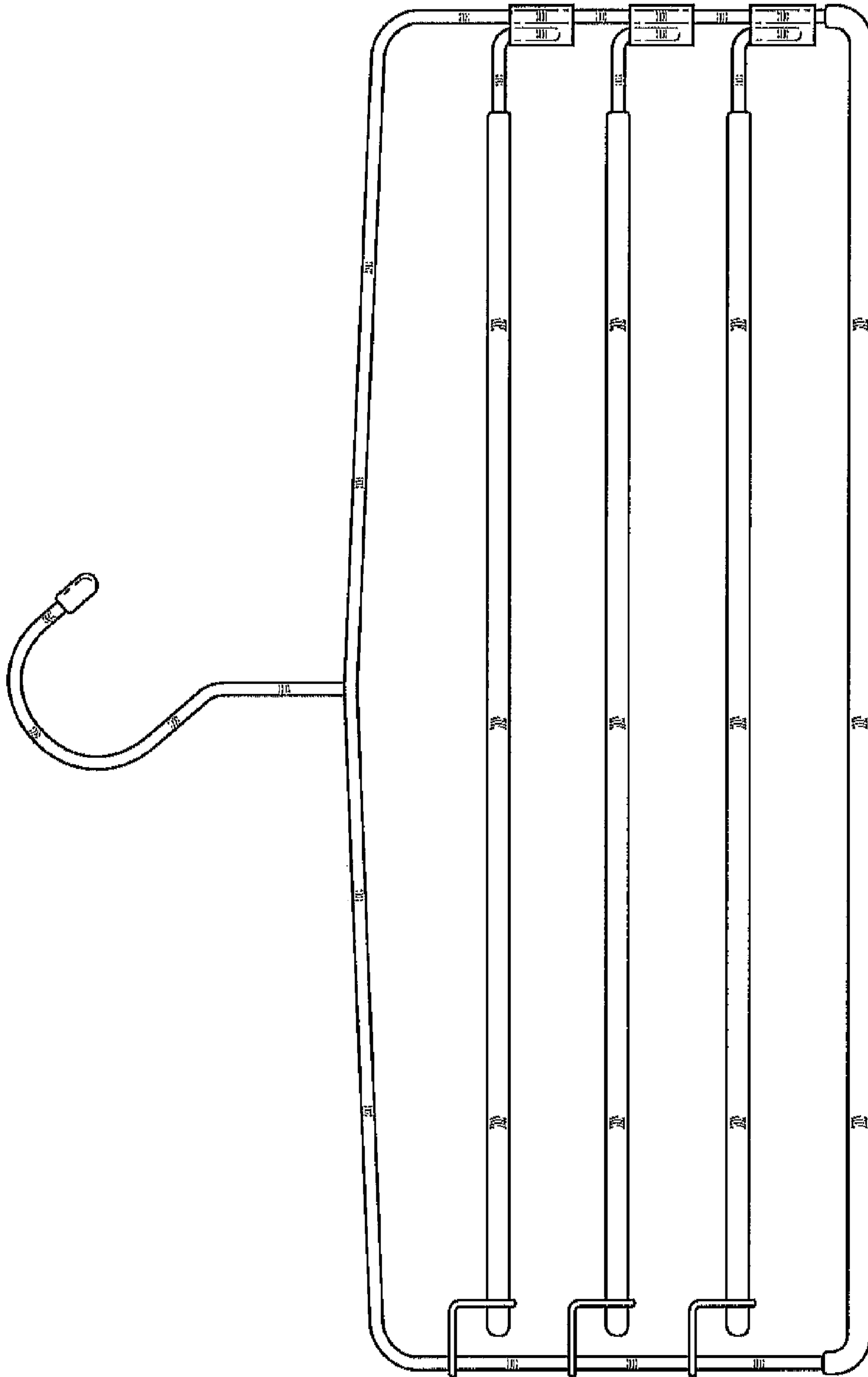


FIG. 2

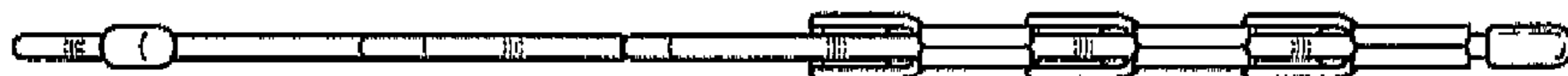


FIG. 4

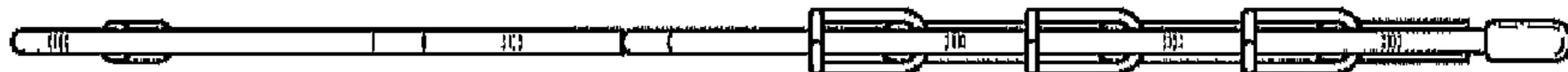


FIG. 3



FIG. 5

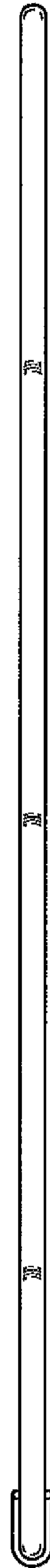


FIG. 6