

US00D665173S

(12) **United States Design Patent**
Matte

(10) **Patent No.:** **US D665,173 S**

(45) **Date of Patent:** **** Aug. 14, 2012**

(54) **HANDBAG**

(76) Inventor: **Richard Matte**, Kelowna (CA)

(**) Term: **14 Years**

(21) Appl. No.: **29/371,484**

(22) Filed: **Mar. 16, 2011**

(51) **LOC (9) Cl.** **03-01**

(52) **U.S. Cl.** **D3/318**

(58) **Field of Classification Search** D3/232-233,
D3/240-245, 318; 150/100, 103-110, 113-114,
150/118-119

See application file for complete search history.

(56) **References Cited**

U.S. PATENT DOCUMENTS

3,575,226 A * 4/1971 Chapman 150/104

D513,867 S * 1/2006 Stulman D3/243
* cited by examiner

Primary Examiner — Holly Baynham

(74) *Attorney, Agent, or Firm* — Antony C. Edwards

(57) **CLAIM**

The ornamental design for a handbag, as shown and described.

DESCRIPTION

FIG. 1 is a perspective view of the handbag of the present invention.

FIG. 2 is a front elevation view of the handbag.

FIG. 3 is a rear elevation view of the handbag.

FIG. 4 is a left side elevation view of the handbag.

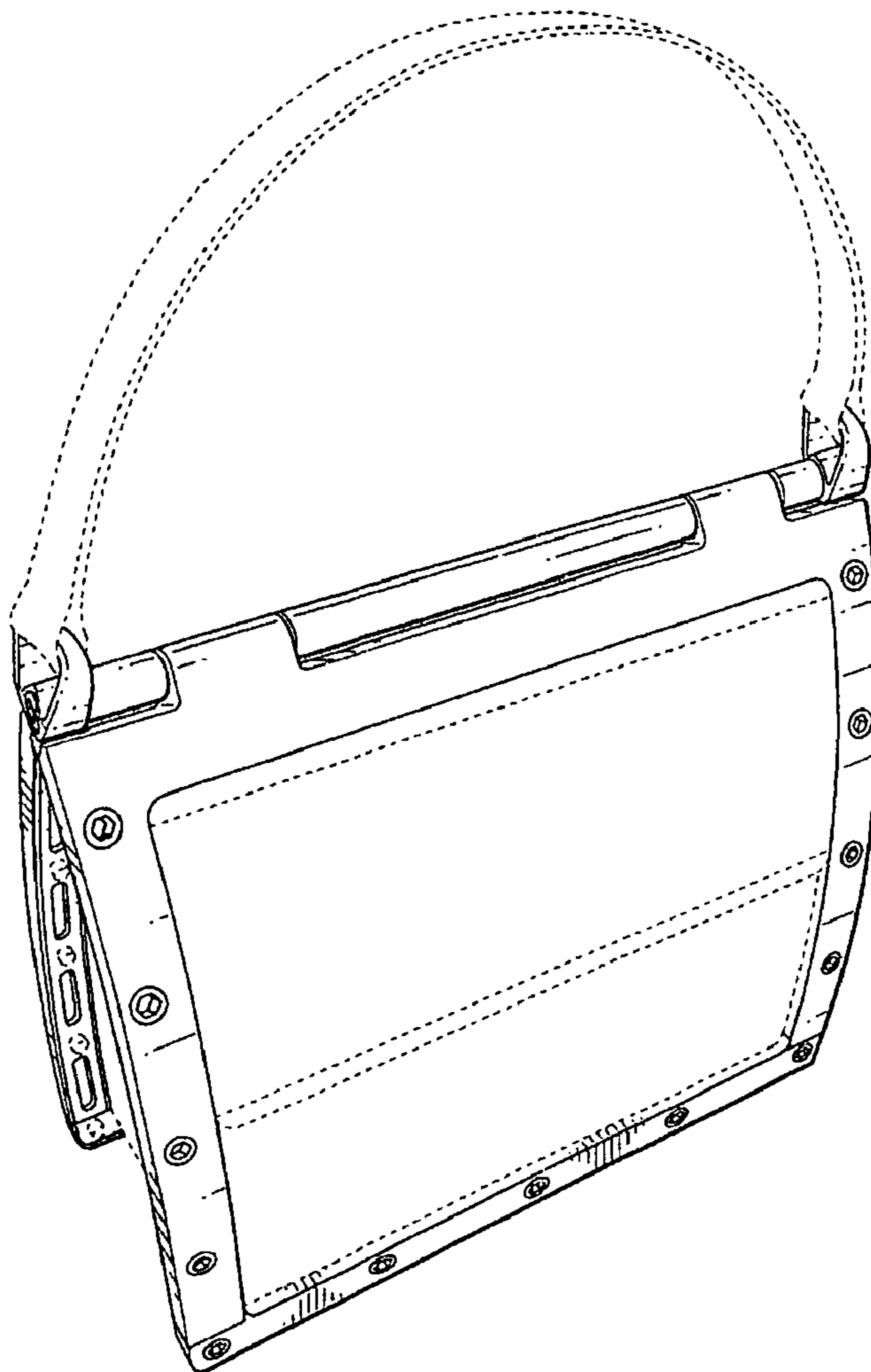
FIG. 5 is a right side elevation view of the handbag.

FIG. 6 is a plan view of the handbag; and,

FIG. 7 is a bottom view of the handbag.

The broken line showing of a handle and a portion of a handbag is included for the purpose of illustrating environment and forms no part of the claimed design.

1 Claim, 3 Drawing Sheets



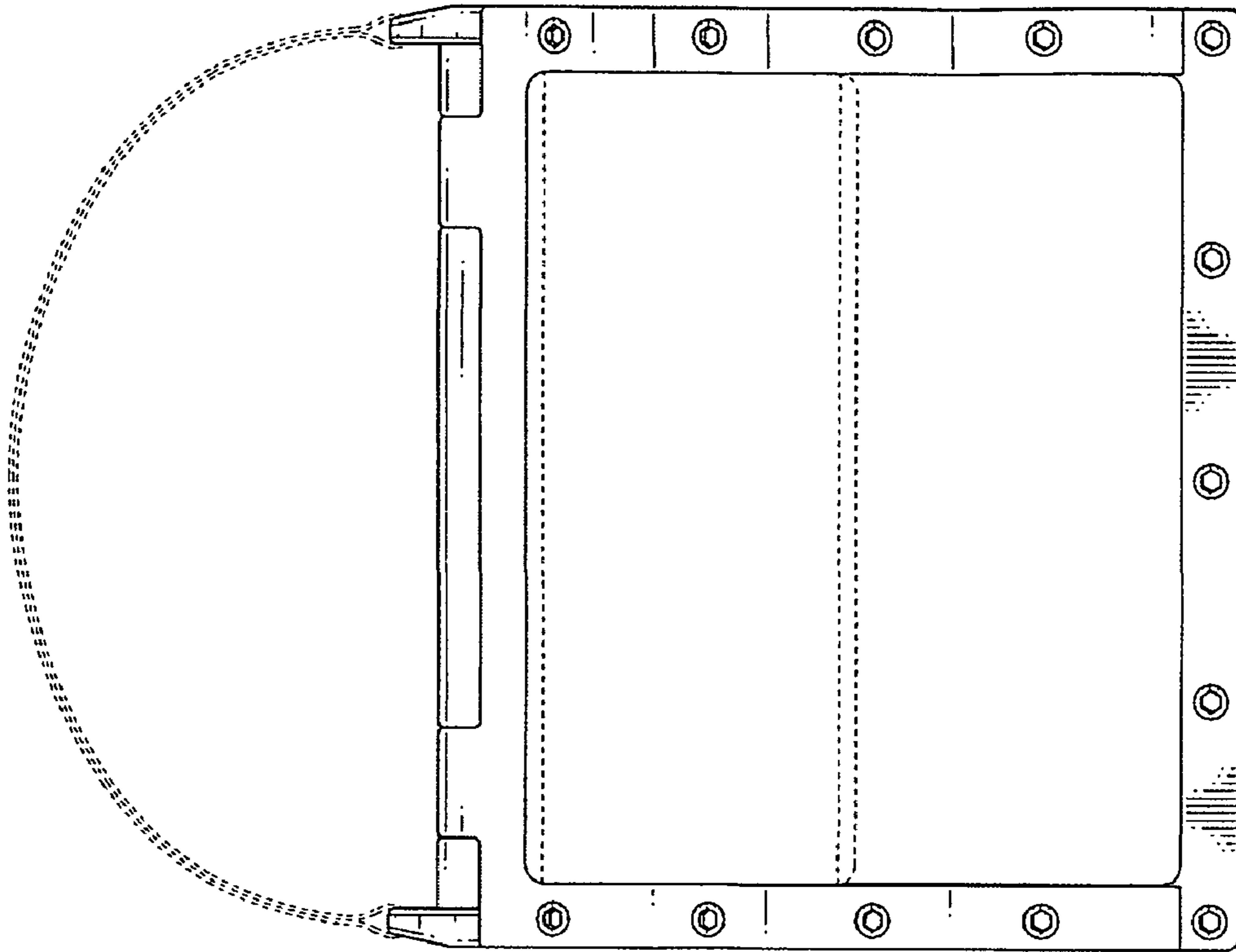


FIG. 2

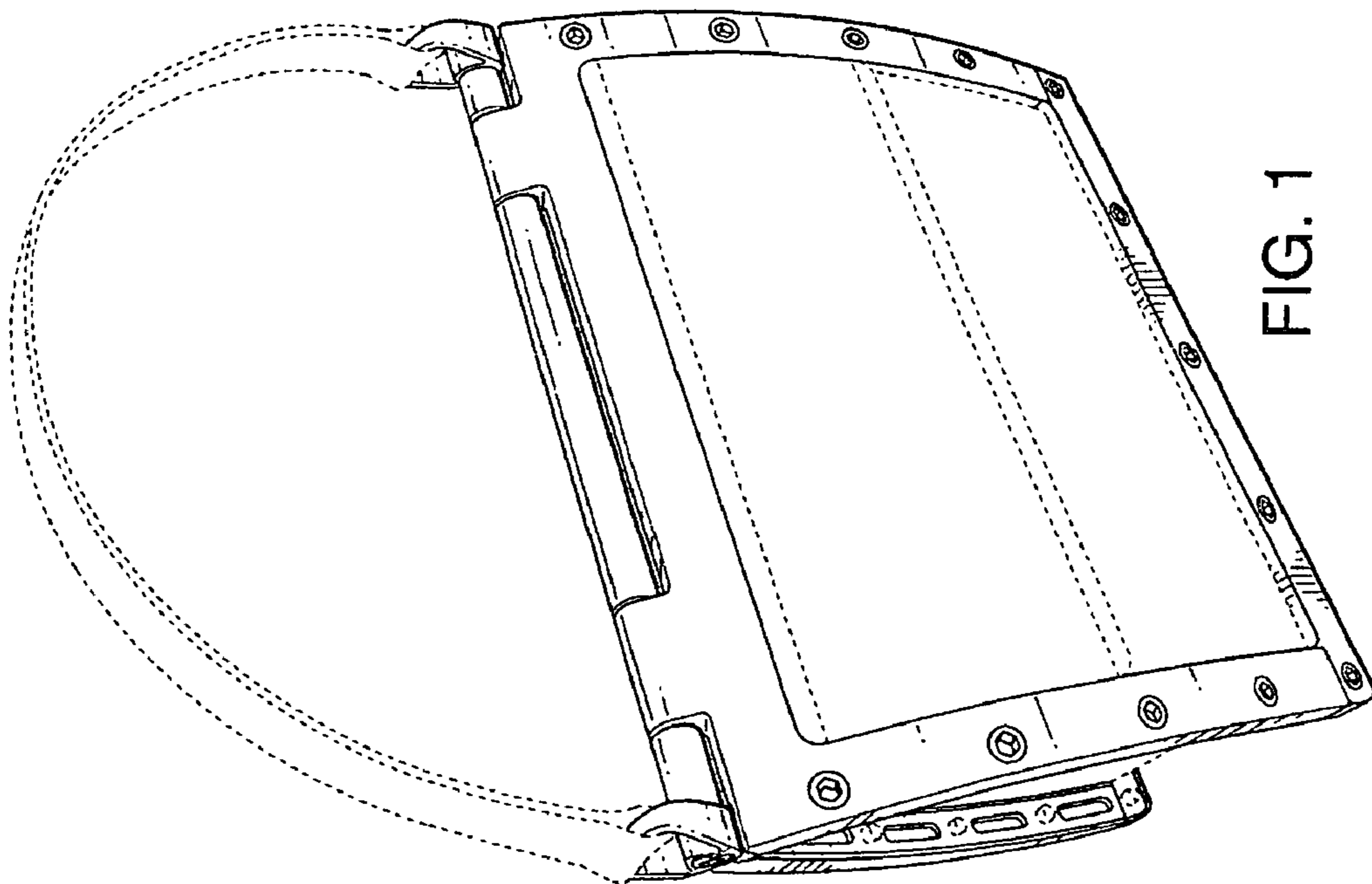


FIG. 1

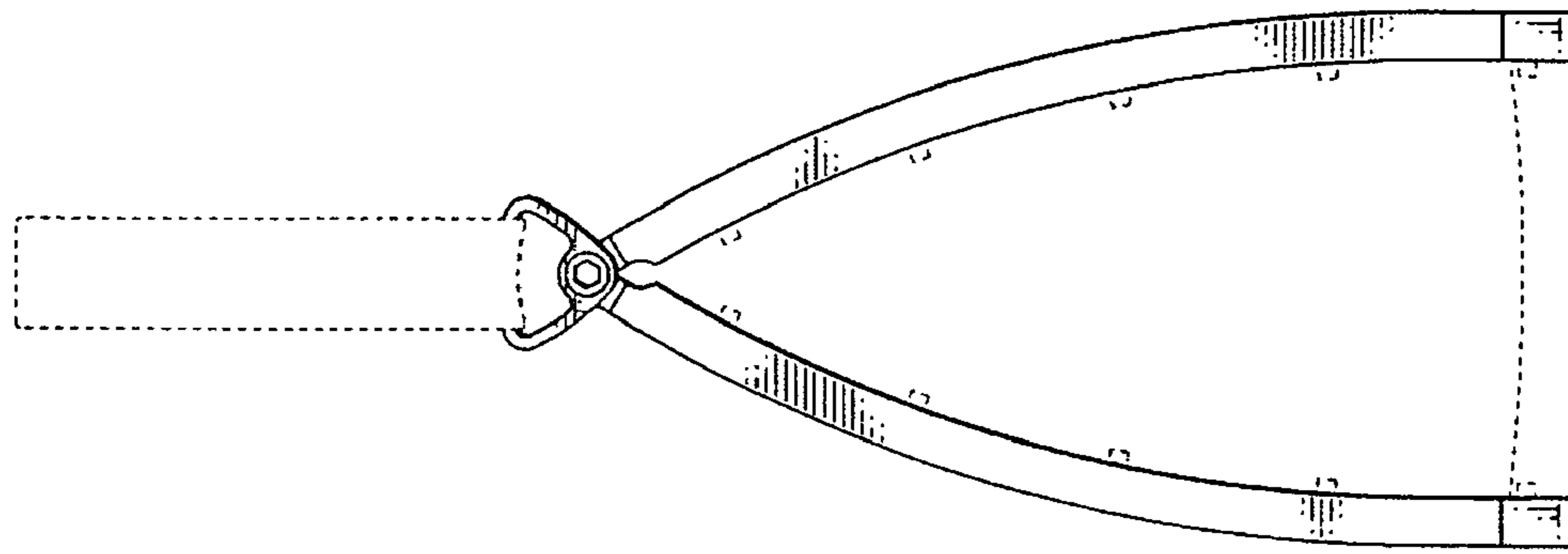


FIG. 4

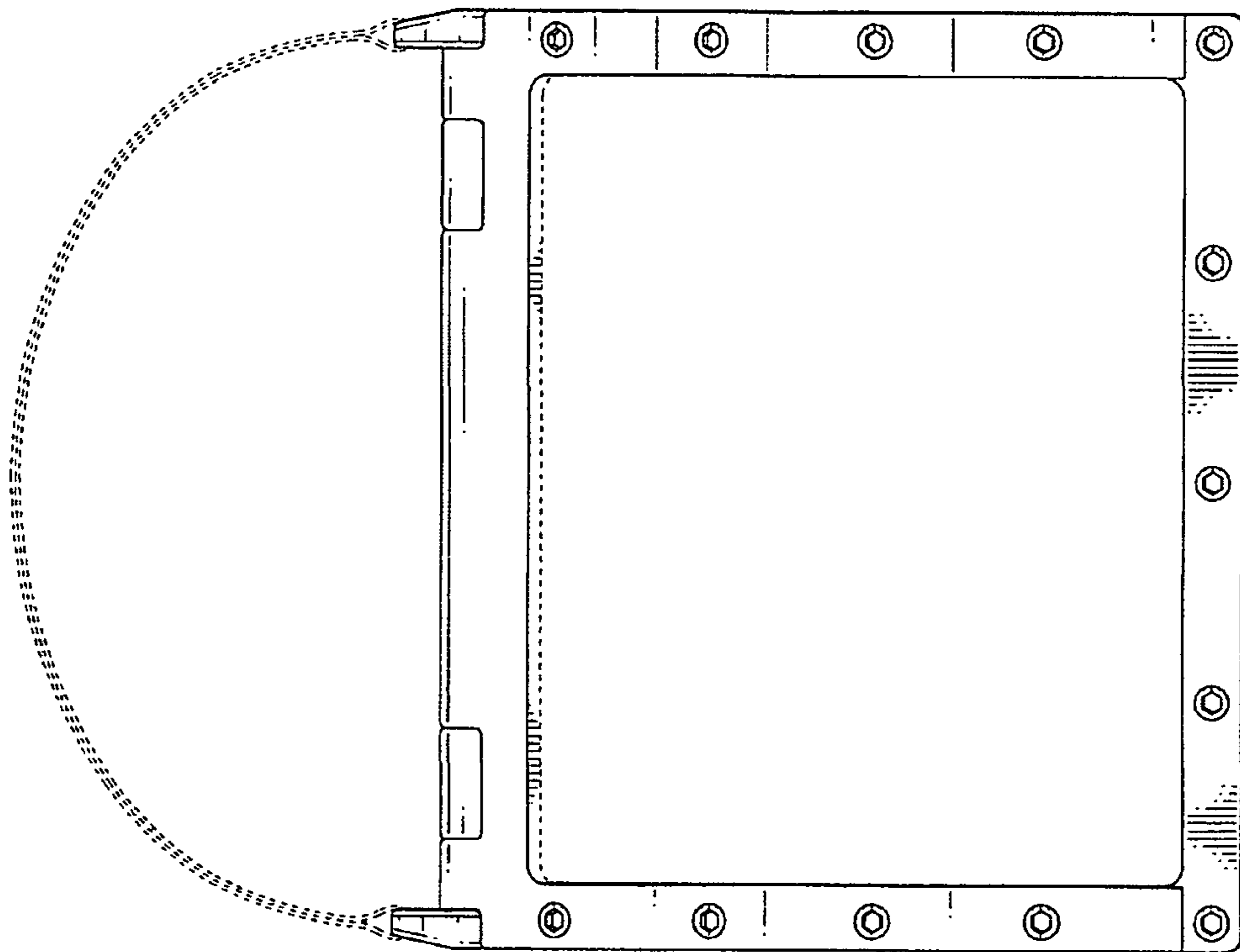


FIG. 3

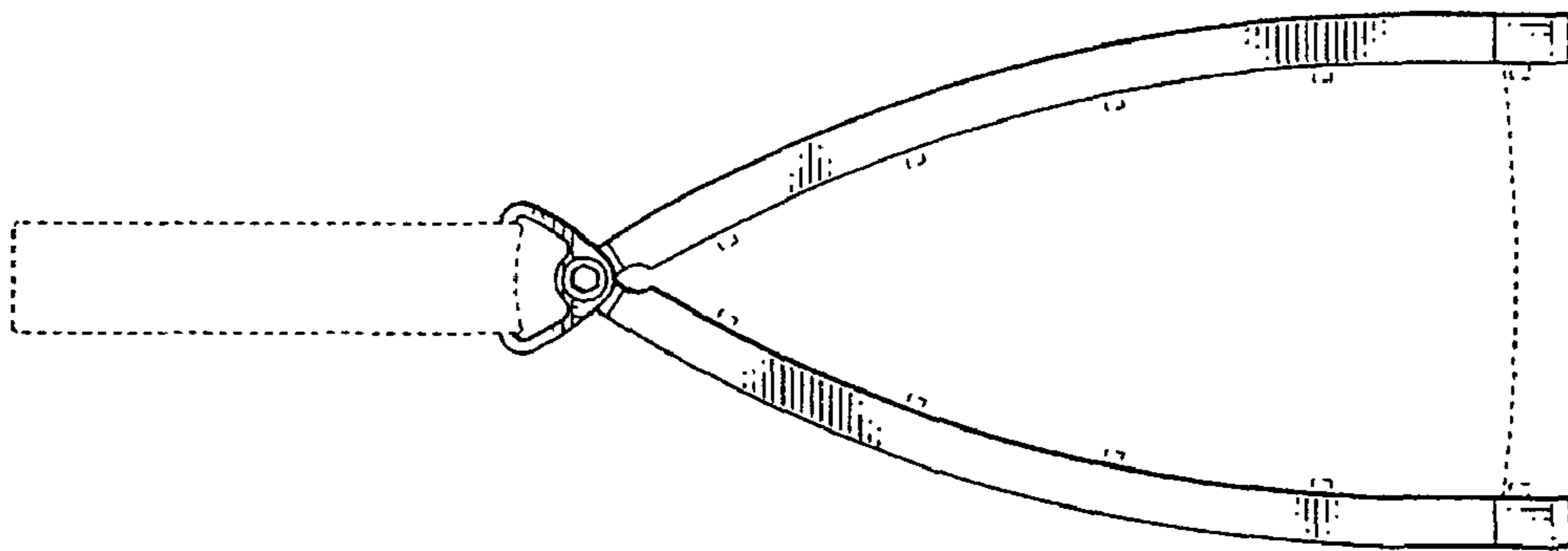


FIG. 5

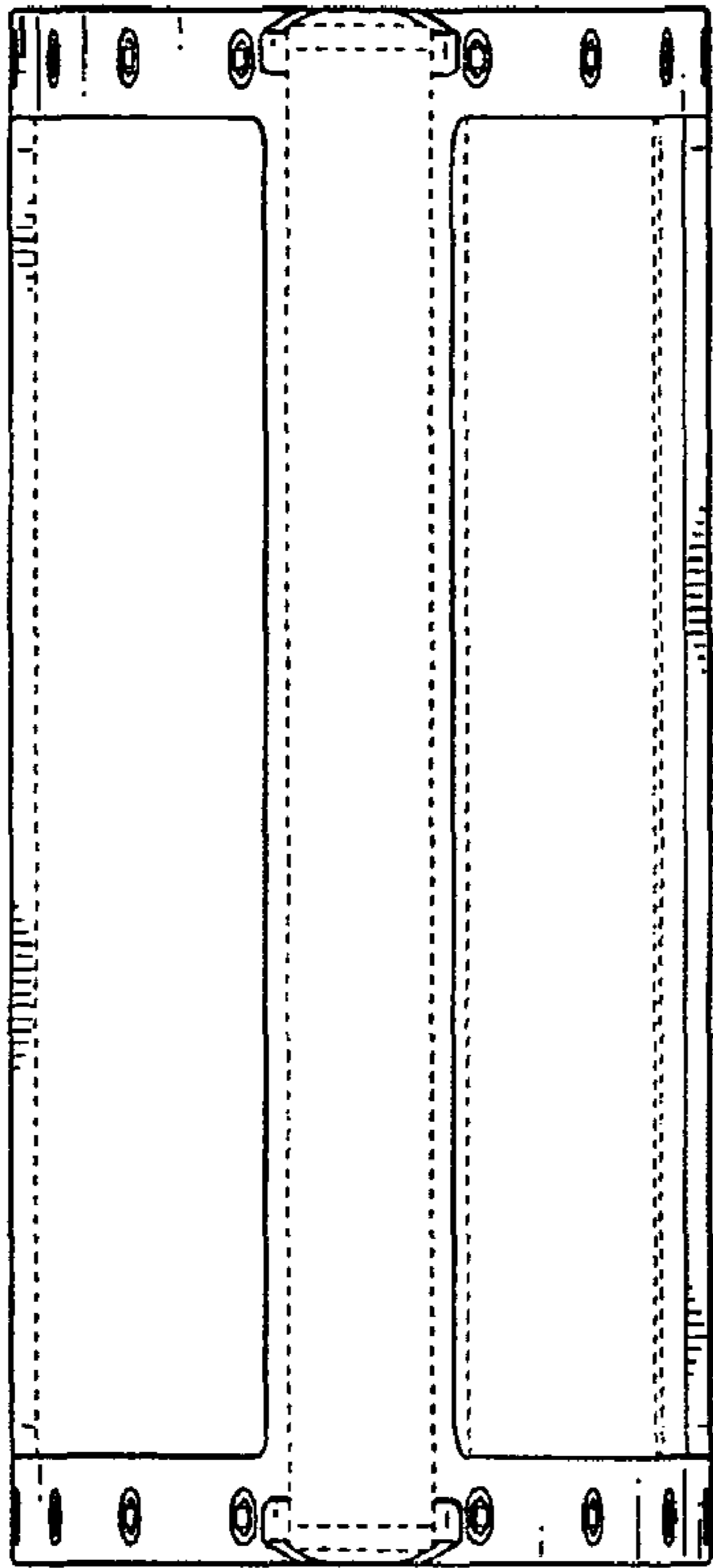


FIG. 6

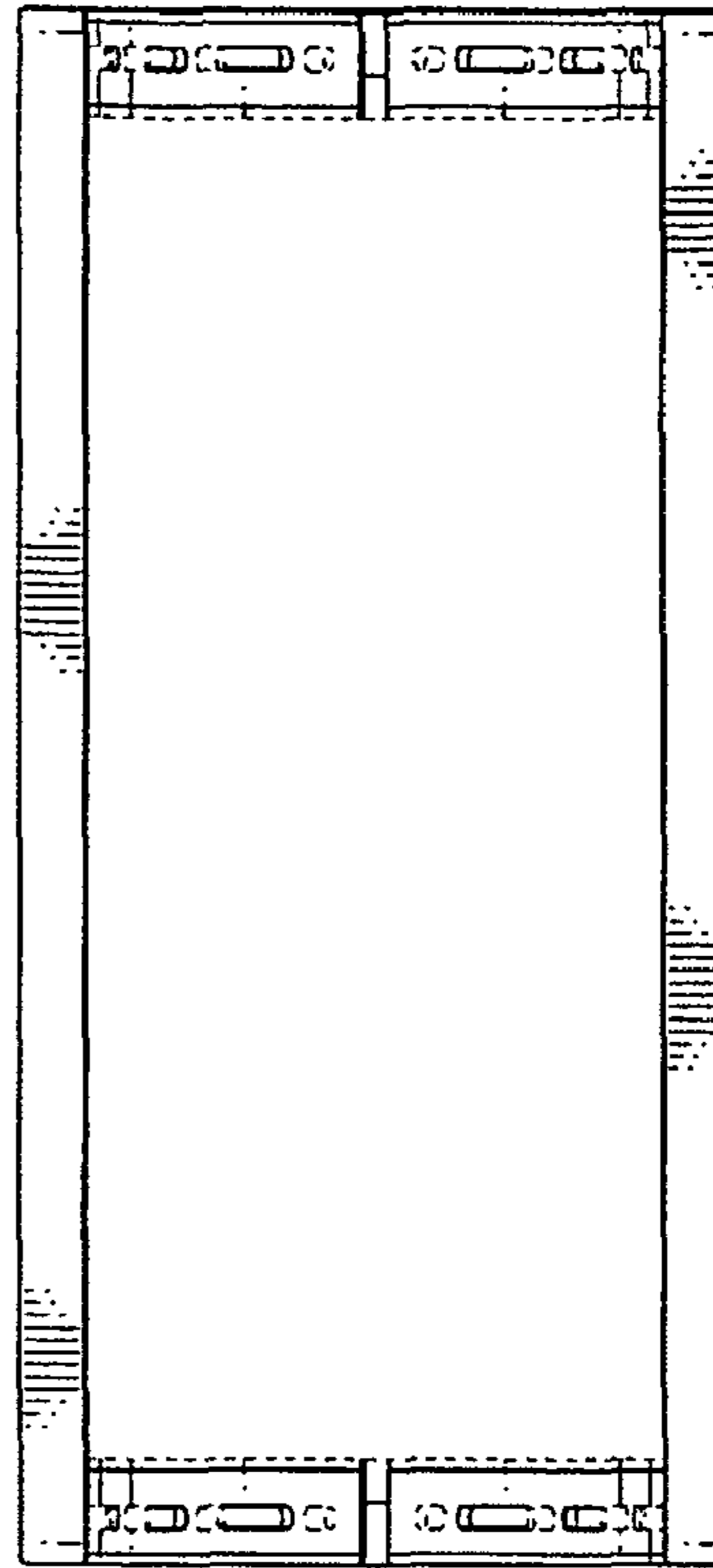


FIG. 7