



US00D665168S

(12) **United States Design Patent**
Dawson

(10) **Patent No.:** **US D665,168 S**
(45) **Date of Patent:** **** Aug. 14, 2012**

(54) **TABLET CASE**

(76) Inventor: **Melvin L Dawson**, Wyandanch, NY
(US)

(**) Term: **14 Years**

(21) Appl. No.: **29/410,555**

(22) Filed: **Jan. 9, 2012**

(51) **LOC (9) Cl.** **03-01**

(52) **U.S. Cl.** **D3/276**

(58) **Field of Classification Search** D3/273,
D3/276, 280, 283–293, 301, 300, 294; 190/100–127,
190/900–903; 150/106, 107, 108, 110, 111,
150/112, 118; 206/320

See application file for complete search history.

(56) **References Cited**

U.S. PATENT DOCUMENTS

6,896,134 B2 * 5/2005 Russell et al. 206/320
D529,717 S * 10/2006 Brancky D3/285
D568,047 S * 5/2008 Brancky D3/284
D574,615 S * 8/2008 Picot et al. D3/289

D628,384 S * 12/2010 McCarthy D3/289
D643,214 S * 8/2011 Weedon et al. D3/276
D646,061 S * 10/2011 Chang D3/323

* cited by examiner

Primary Examiner — Jennifer Rivard

(74) *Attorney, Agent, or Firm* — Steven H Greenfield;
Greenfield Invention and Patent Consulting Inc.

(57) **CLAIM**

The ornamental design for a tablet case, as shown and described.

DESCRIPTION

FIG. 1 is a first side view of an ornamental tablet case showing my new design;

FIG. 2 is a second side view thereof;

FIG. 3 is a bottom view thereof;

FIG. 4 is a top view thereof;

FIG. 5 is a front view thereof;

FIG. 6 is a rear view thereof;

FIG. 7 is a bottom perspective view thereof; and,

FIG. 8 is a top perspective view thereof.

1 Claim, 8 Drawing Sheets

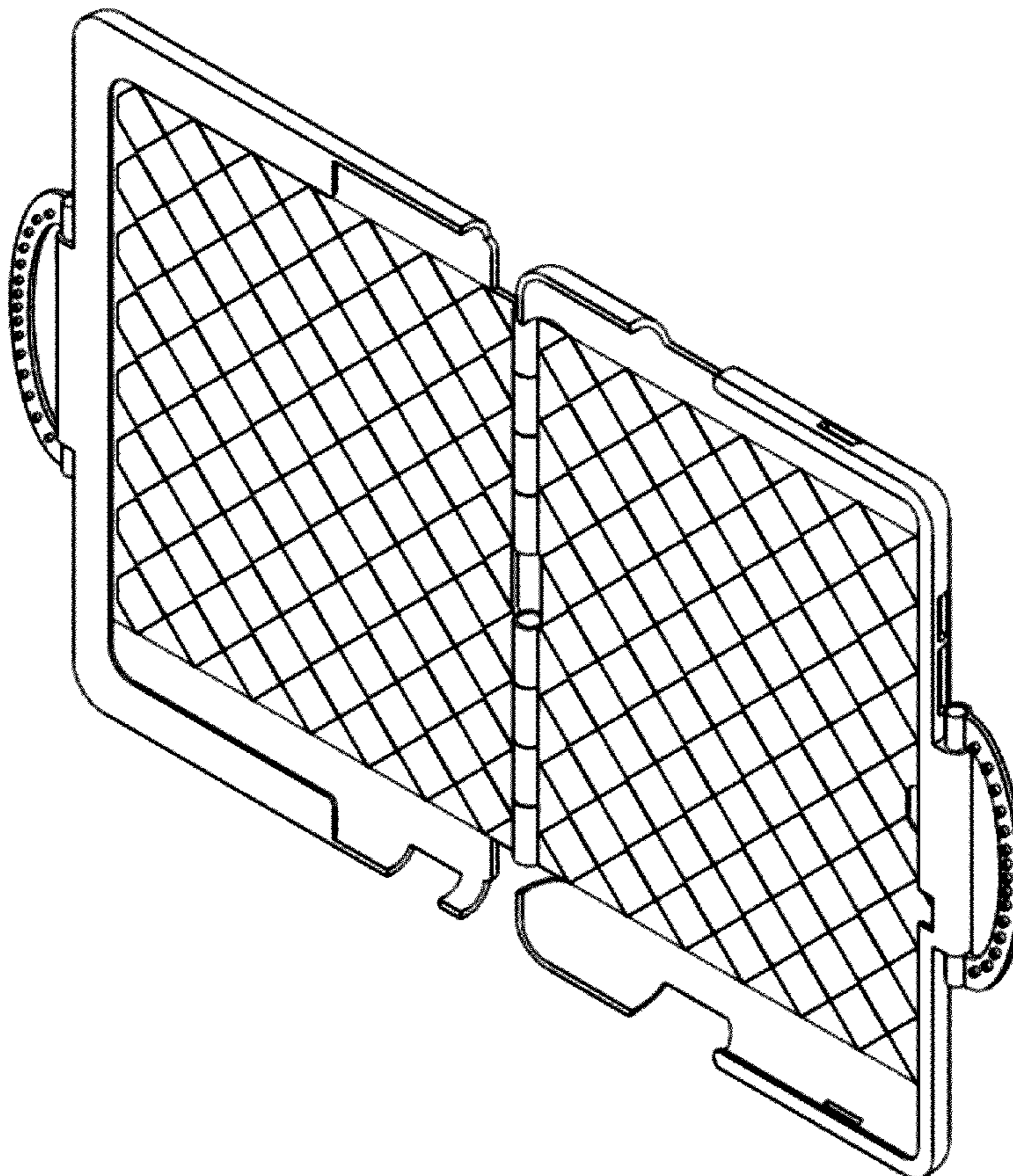


FIG. 1



FIG. 2



FIG. 3

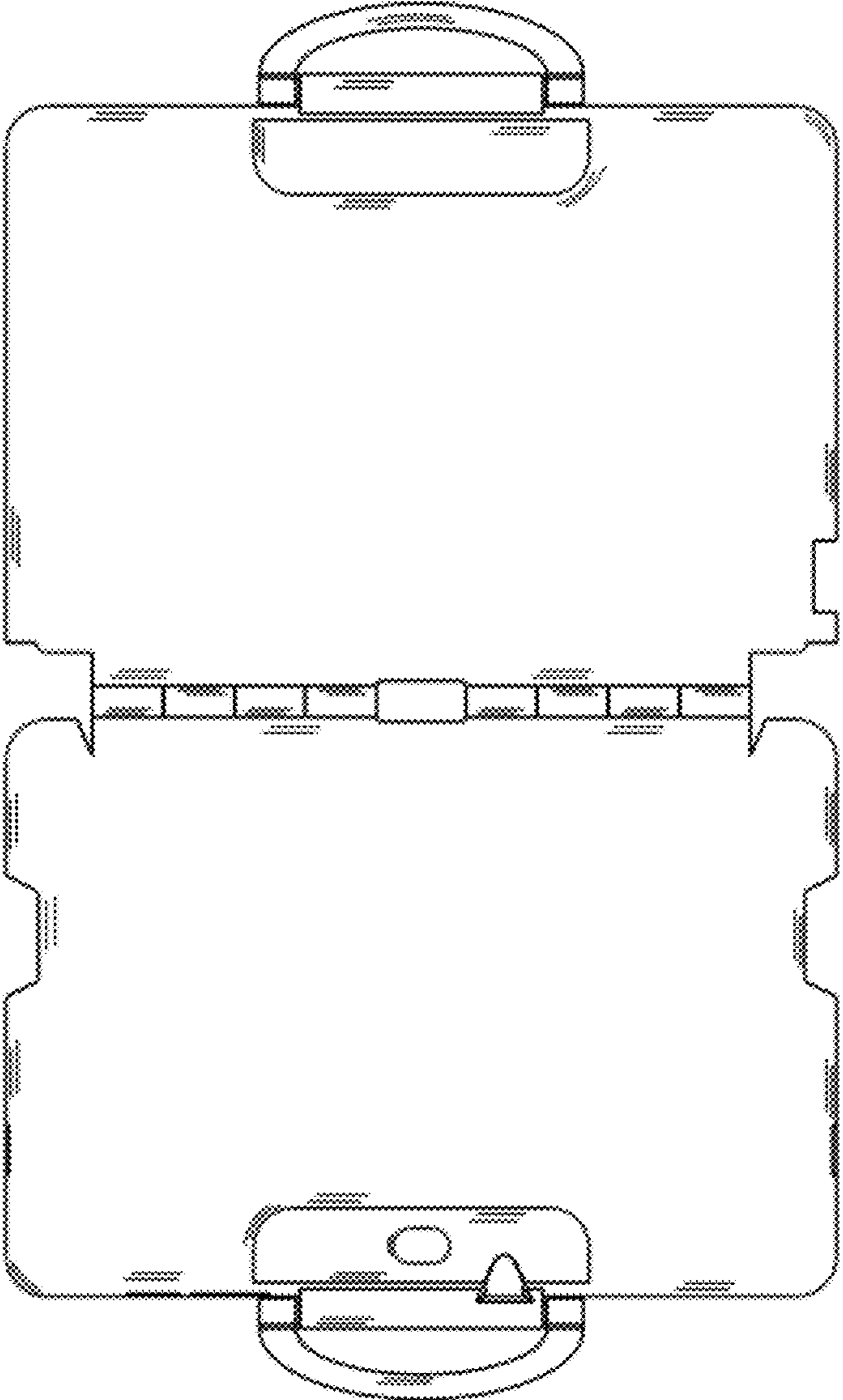


FIG. 4

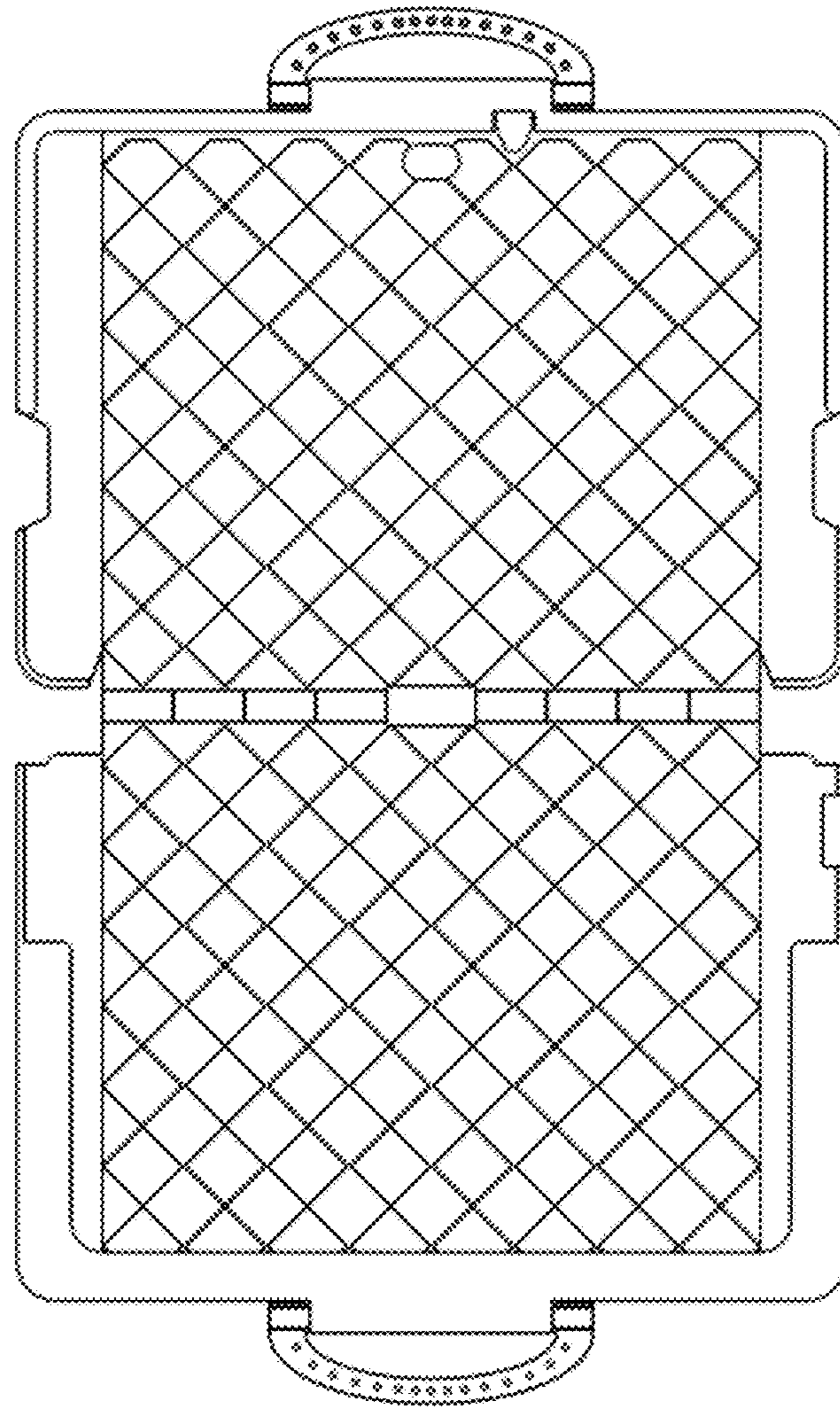


FIG. 5



FIG. 6



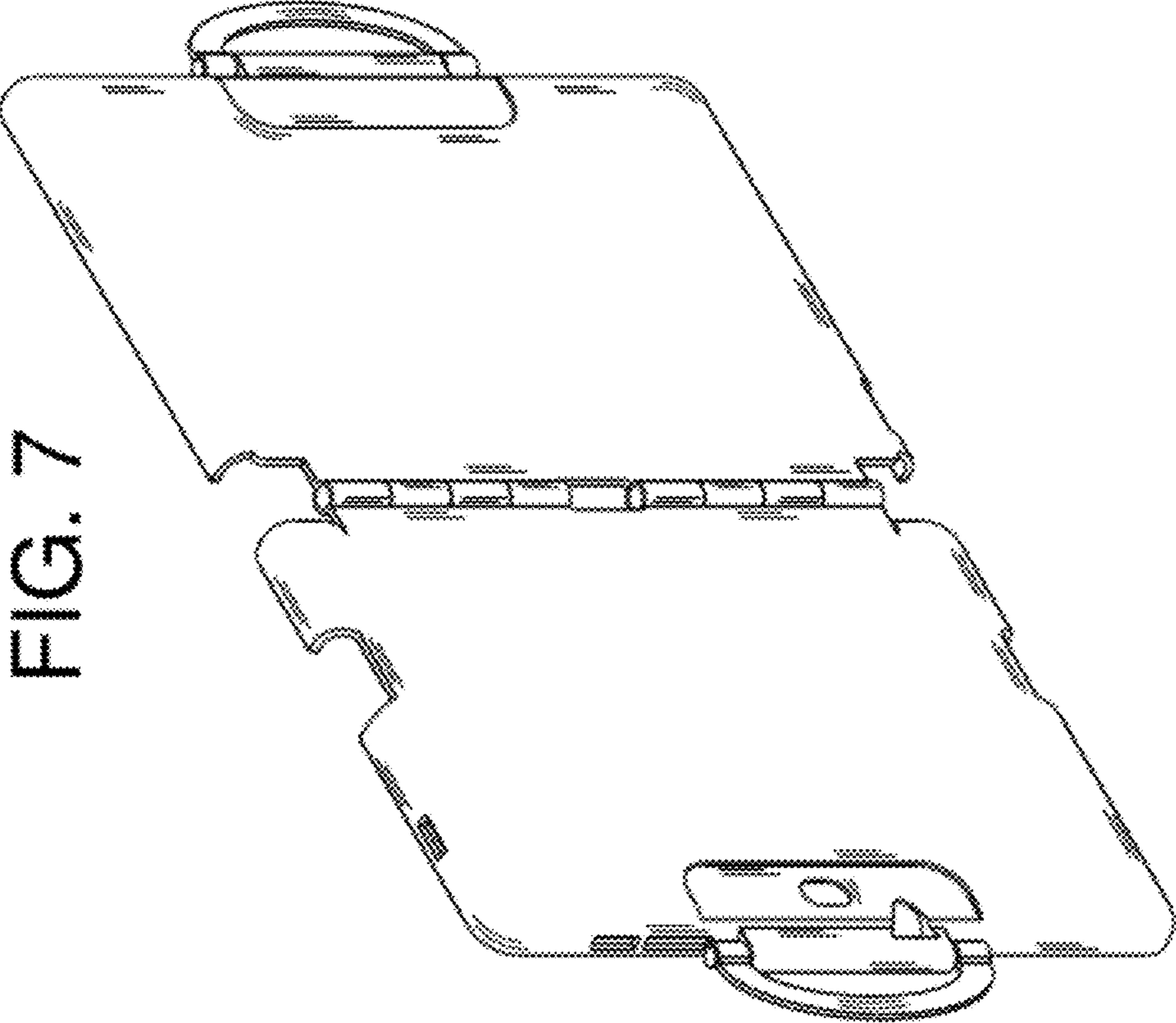


FIG. 7

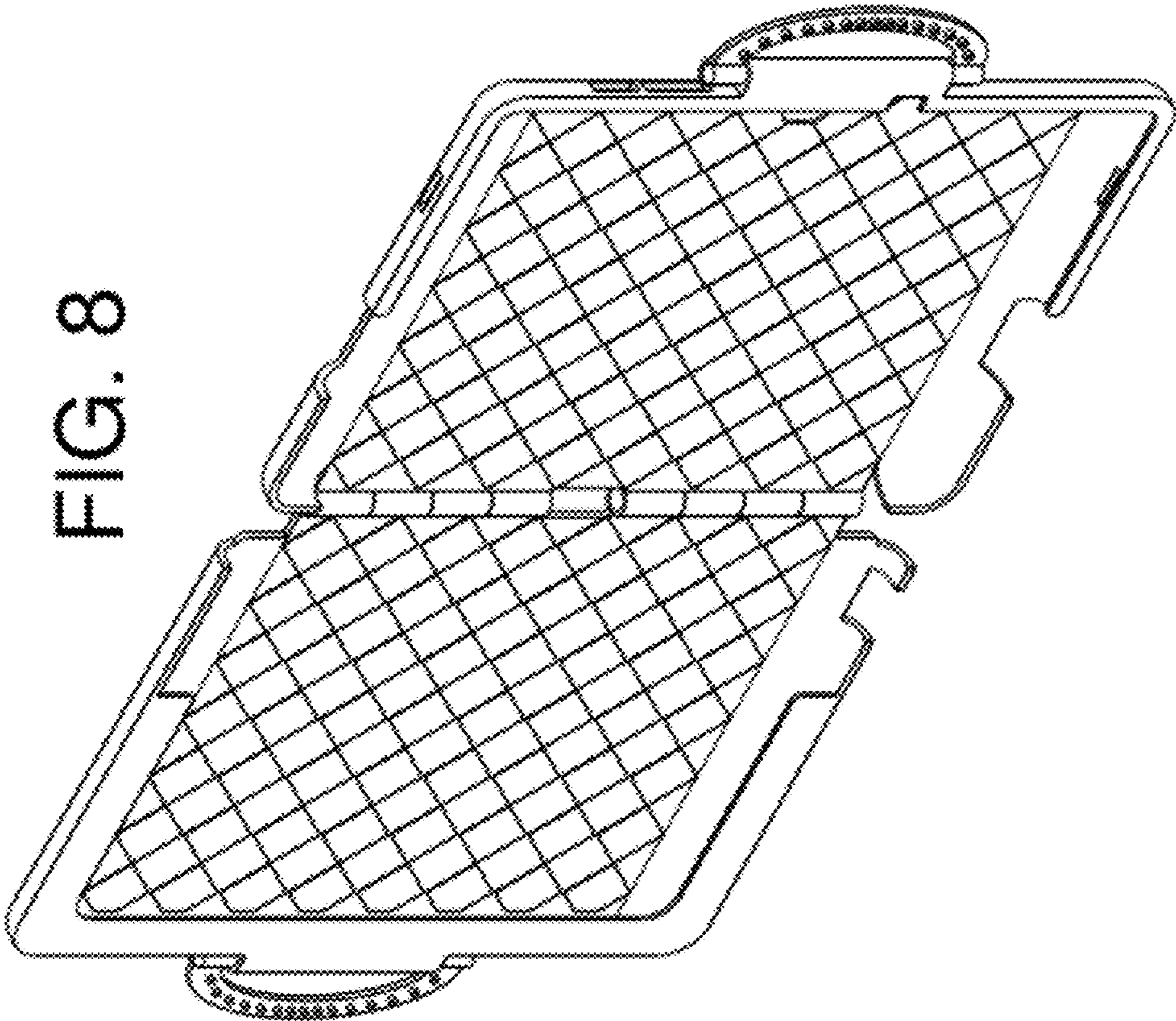


FIG. 8