



US00D665167S

(12) **United States Design Patent**  
**Haener et al.**

(10) **Patent No.:** **US D665,167 S**

(45) **Date of Patent:** **\*\* Aug. 14, 2012**

(54) **INFLATOR CARRYING CASE**

(56) **References Cited**

(75) Inventors: **Brandt A. Haener**, Los Osos, CA (US);  
**Ethan T. Stansbury**, Tustin, CA (US);  
**Brendan P. Kelso**, Atascadero, CA (US);  
**Bria R. DiCicco**, San Luis Obispo, CA  
(US); **Bryan D. Smith**, Arroyo Grande,  
CA (US)

U.S. PATENT DOCUMENTS

D311,819	S	*	11/1990	Takeuchi	.....	D3/292
D613,506	S	*	4/2010	Aglassinger	.....	D3/282
D637,812	S	*	5/2011	Horiyama et al.	.....	D3/294
2004/0112776	A1	*	6/2004	Lord	.....	206/320
2006/0201958	A1	*	9/2006	Tieben et al.	.....	220/835

\* cited by examiner

(73) Assignee: **Illinois Tool Works Inc.**, Glenview, IL  
(US)

*Primary Examiner* — Jennifer Rivard

(74) *Attorney, Agent, or Firm* — Pauley Petersen & Erickson

(\*\*) Term: **14 Years**

(57) **CLAIM**

The ornamental design for an inflator carrying case, as shown and described.

(21) Appl. No.: **29/405,255**

**DESCRIPTION**

(22) Filed: **Oct. 31, 2011**

FIG. 1 is a front perspective view of an inflator carrying case. FIG. 2 is a side view of the inflator carrying case shown in FIG. 1. FIG. 3 is a rear view of the inflator carrying case shown in FIG. 1. FIG. 4 is a bottom view of the inflator carrying case shown in FIG. 1. FIG. 5 is a front view of the inflator carrying case shown in FIG. 1; and, FIG. 6 is a top view of the inflator carrying case shown in FIG. 1.

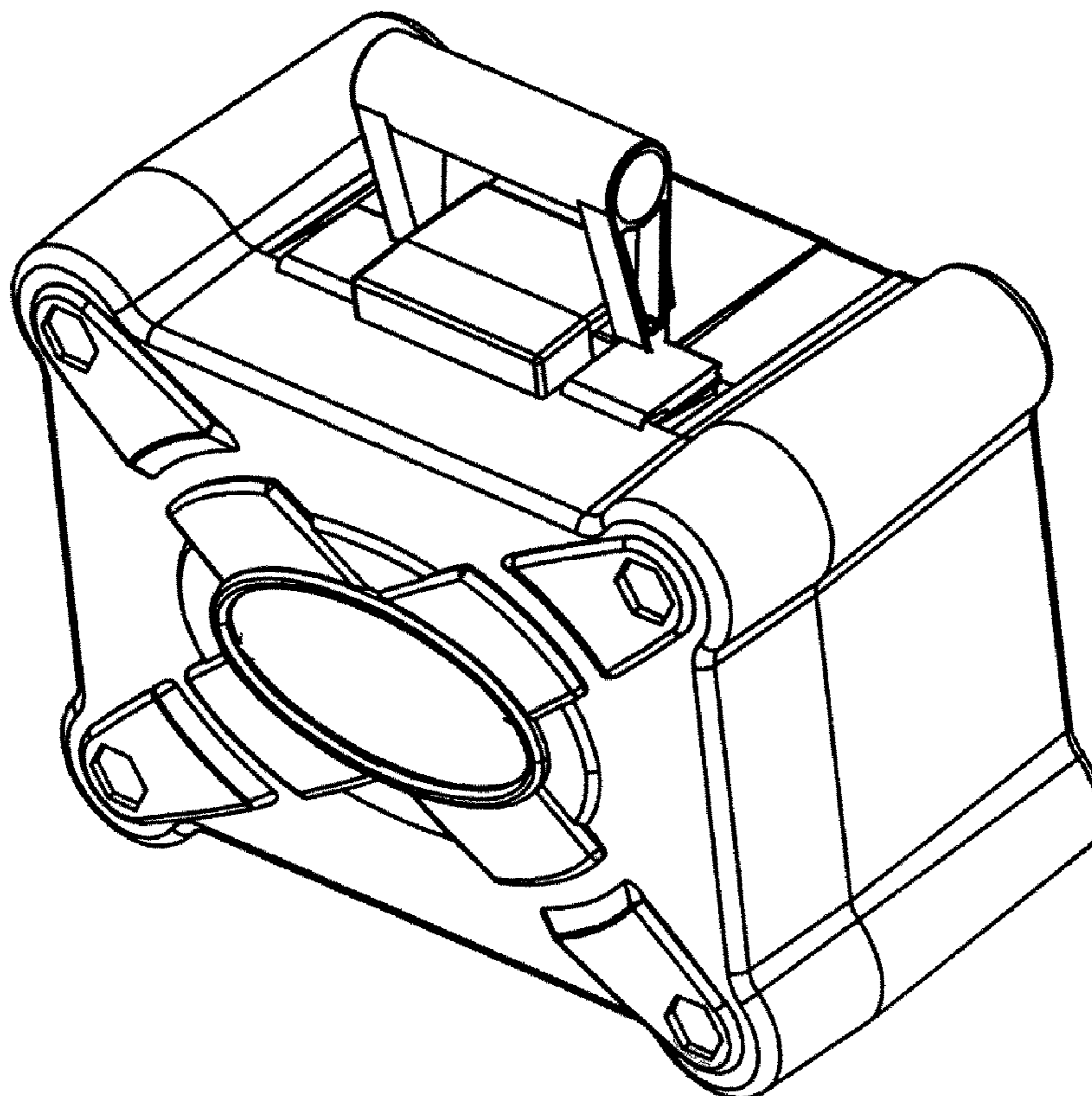
(51) **LOC (9) Cl.** ..... **03-01**

(52) **U.S. Cl.** ..... **D3/276**

(58) **Field of Classification Search** ..... D3/254,  
D3/260, 273, 276, 280, 302, 301, 303; 220/523,  
220/524, 527; 206/349, 372-379; 190/109,  
190/111, 115, 107, 126, 903; D7/605; D15/9

See application file for complete search history.

**1 Claim, 2 Drawing Sheets**



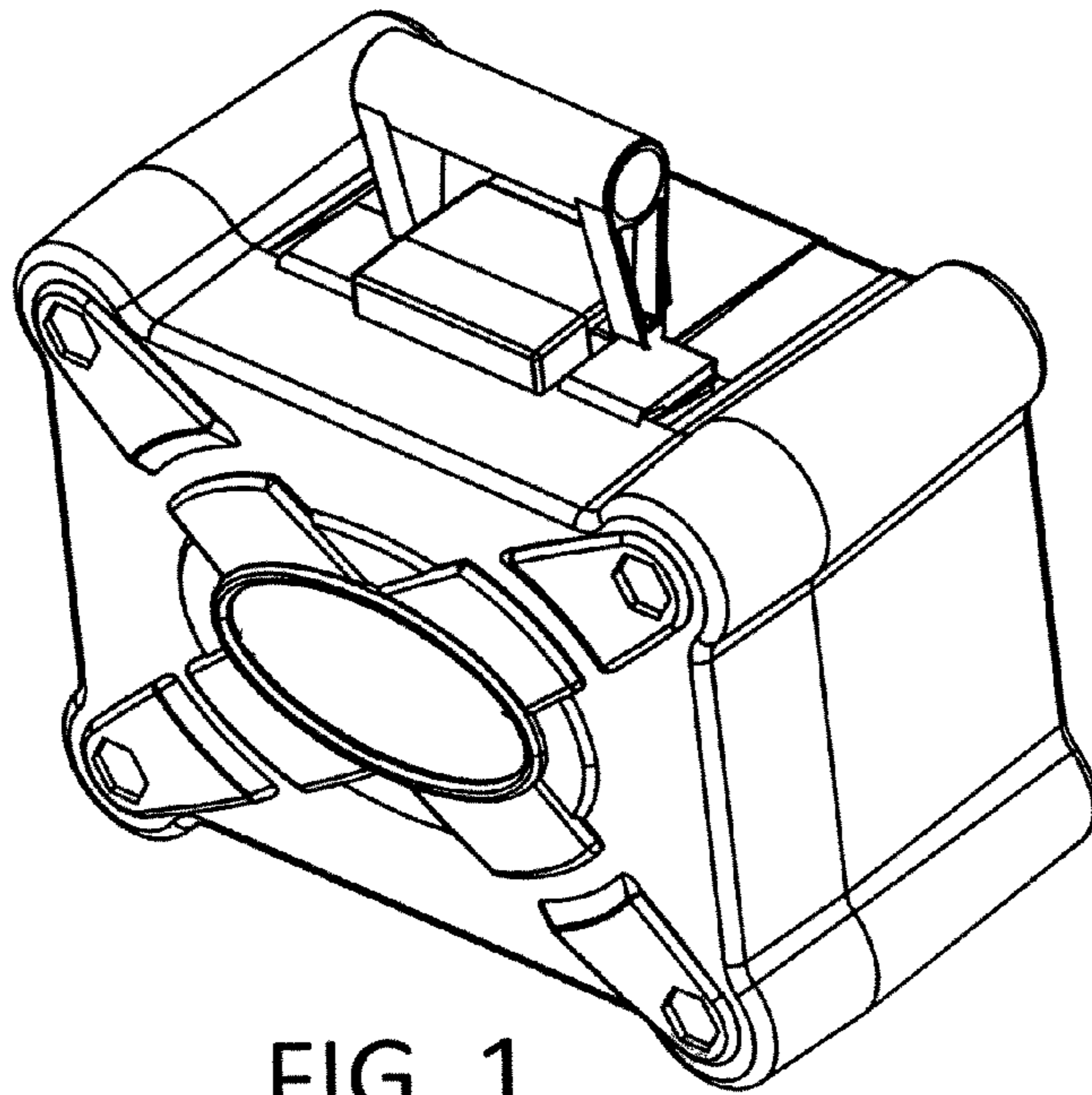


FIG. 1

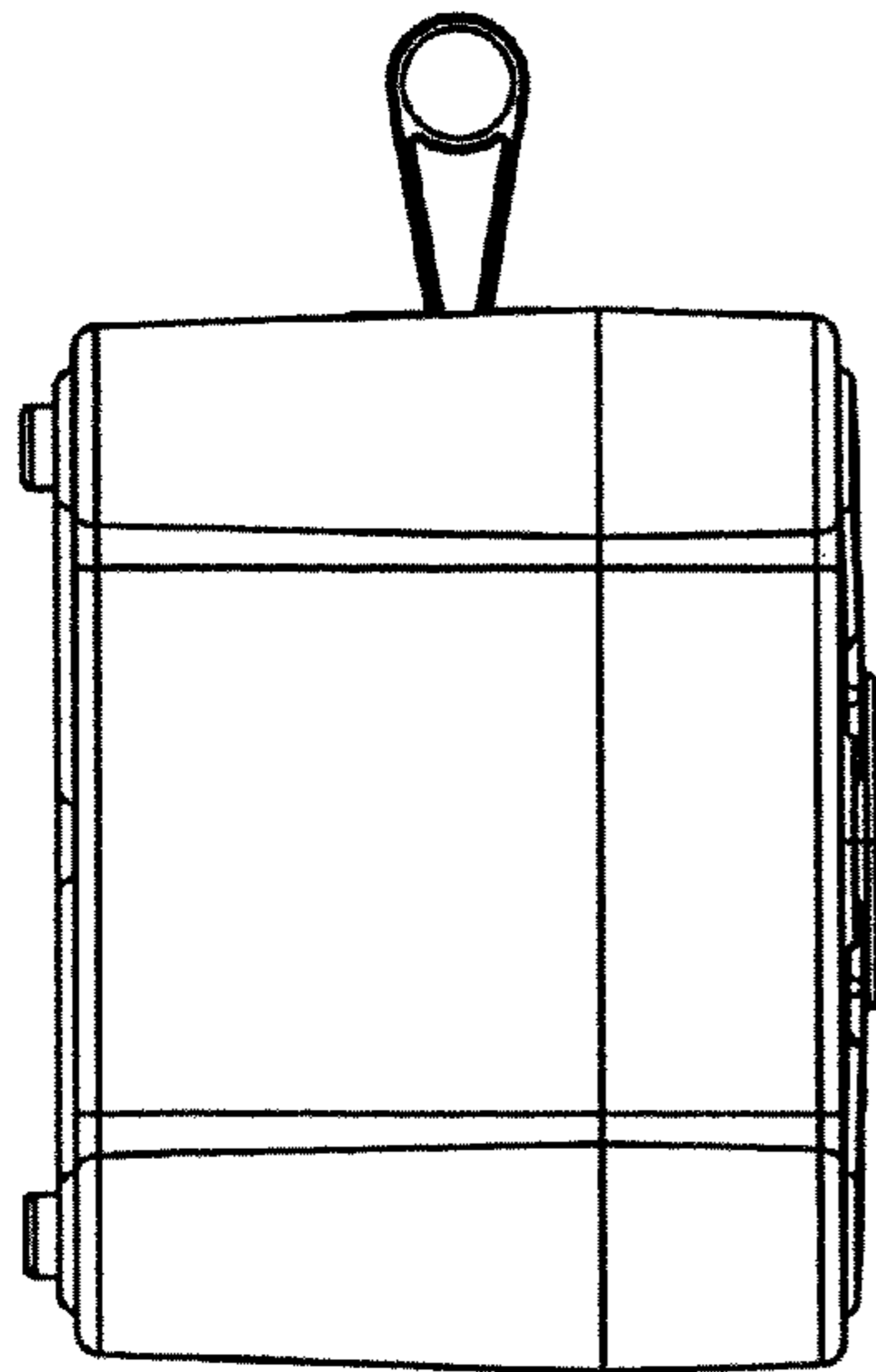


FIG. 2

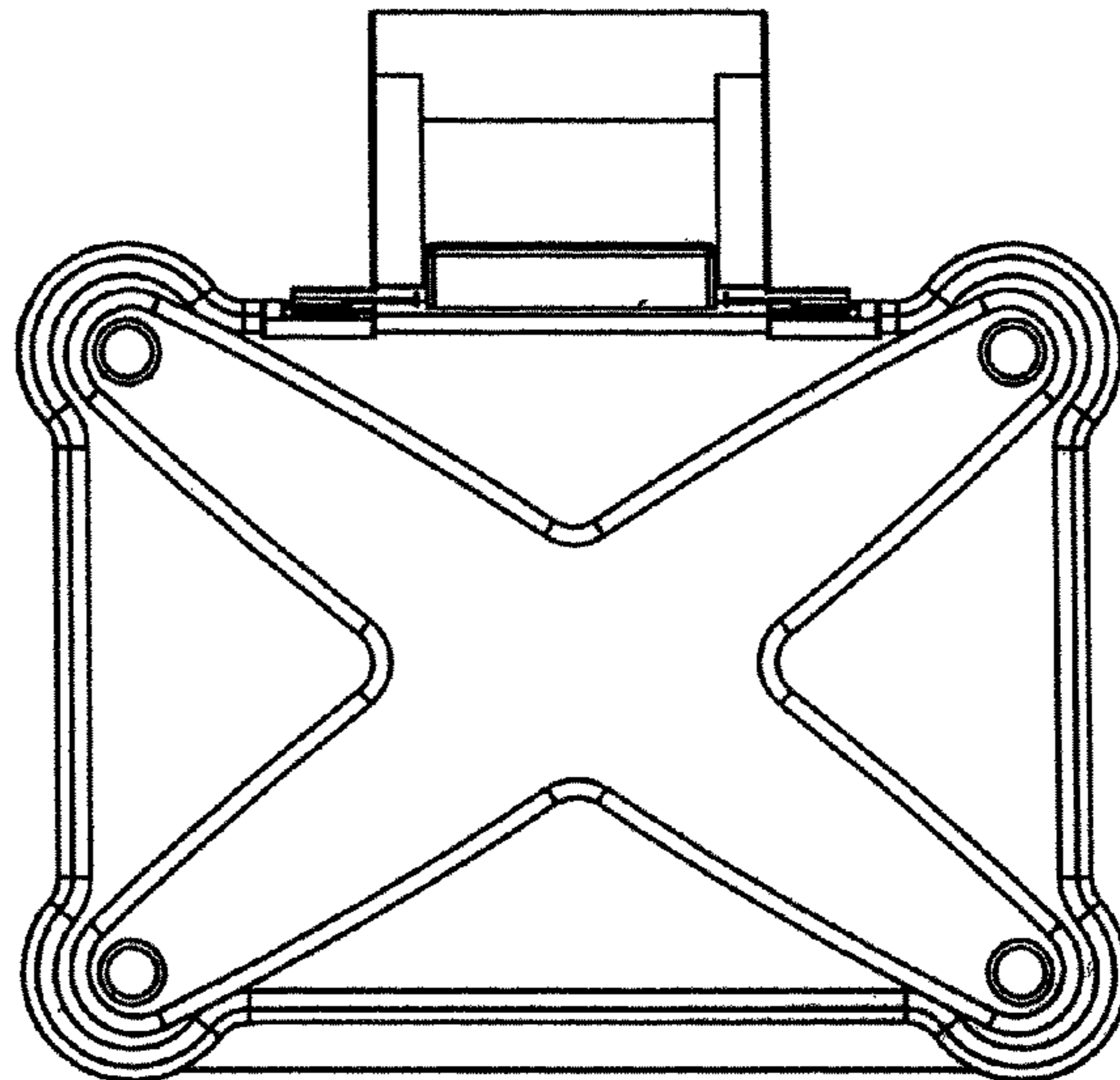


FIG. 3

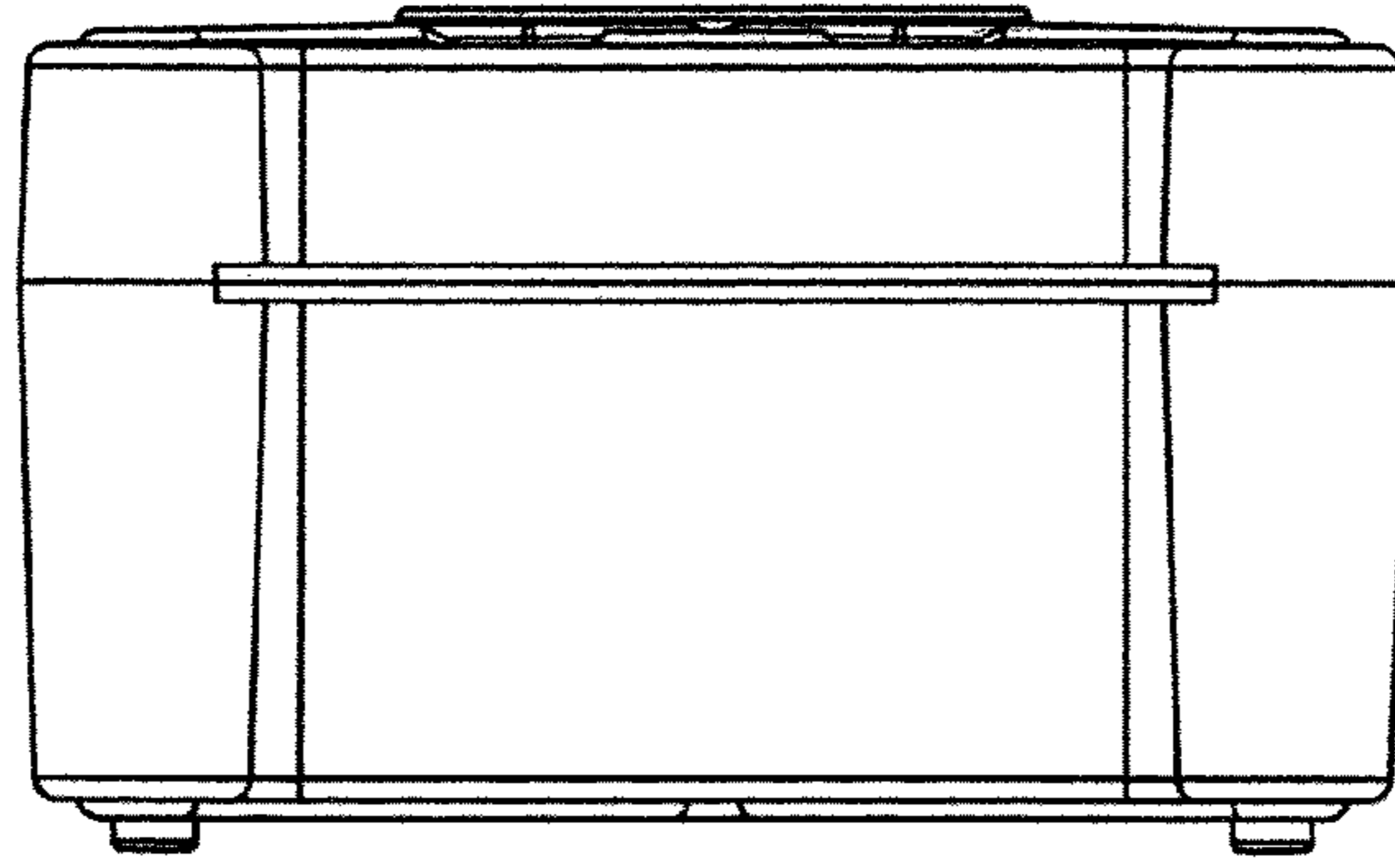


FIG. 4

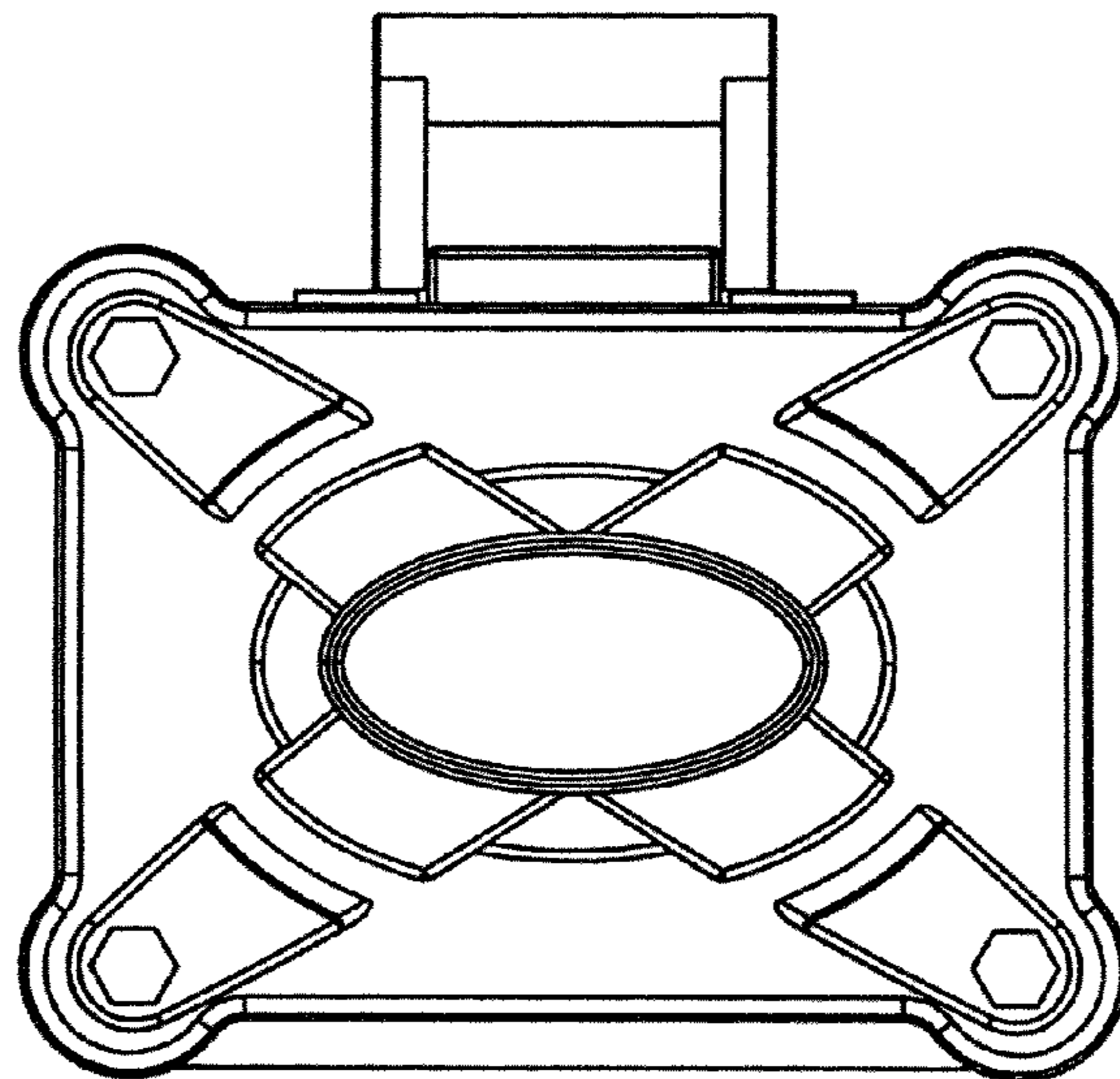


FIG. 5

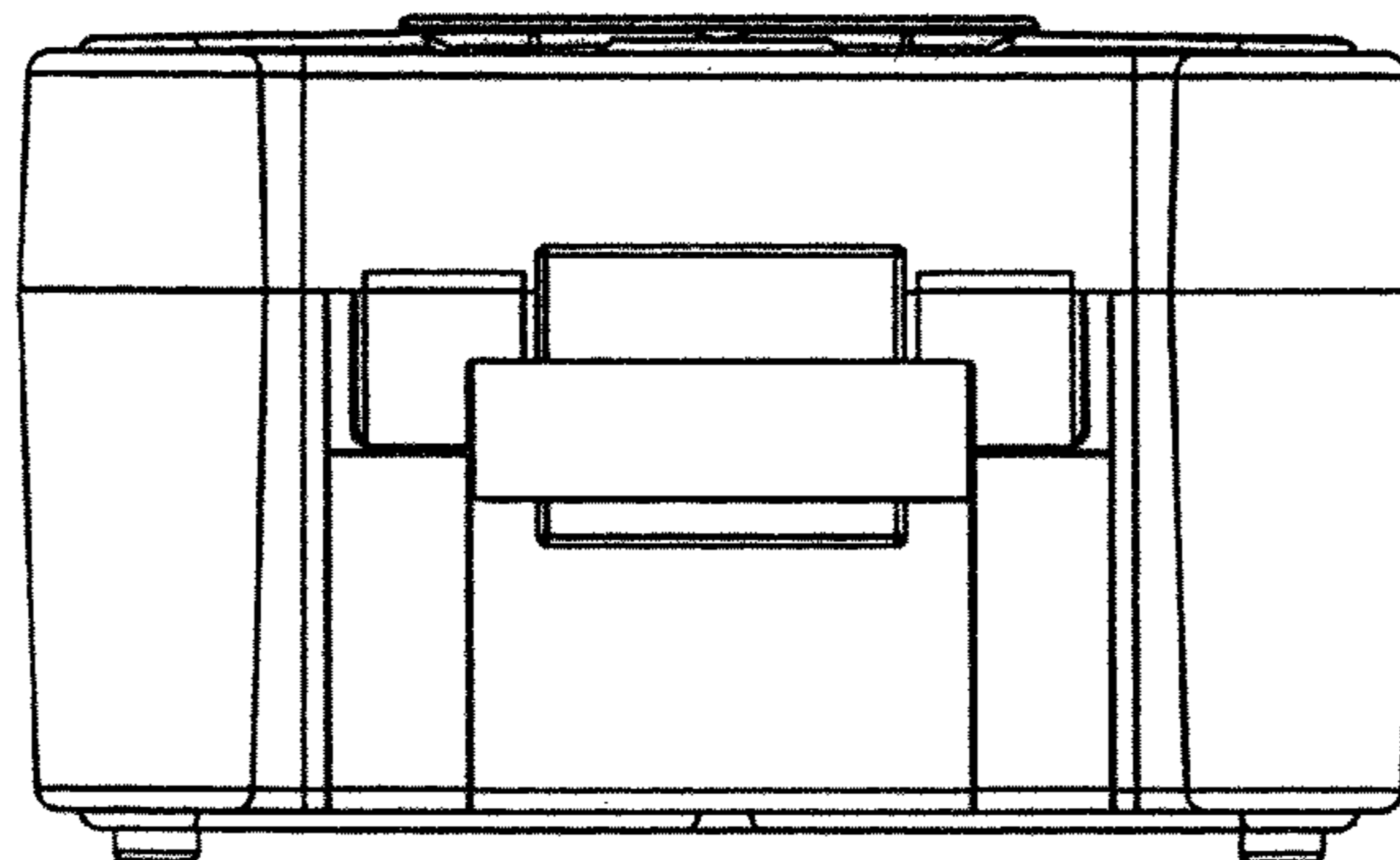


FIG. 6