



US00D665166S

(12) **United States Design Patent**  
**Khalifa et al.**

(10) **Patent No.:** **US D665,166 S**

(45) **Date of Patent:** **\*\* Aug. 14, 2012**

(54) **TACKLE BOX**

(75) Inventors: **Aly Khalifa**, Raleigh, NC (US); **Robert Shanks**, Raleigh, NC (US)

(73) Assignee: **The Outdoor Recreation Group**, Los Angeles, CA (US)

(\*\*) Term: **14 Years**

(21) Appl. No.: **29/371,822**

(22) Filed: **Oct. 14, 2011**

(51) **LOC (9) Cl.** ..... **03-01**

(52) **U.S. Cl.** ..... **D3/260; D3/282**

(58) **Field of Classification Search** ..... D3/254,  
D3/260, 273, 276, 280, 283-291, 301, 302,  
D3/303, 905; 220/523, 524, 527; 206/349,  
206/372-379, 315.11; 190/109, 111, 115,  
190/107, 126, 903; D7/605

See application file for complete search history.

(56) **References Cited**

**U.S. PATENT DOCUMENTS**

D242,083	S	*	10/1976	Jean	.....	D3/284
D377,714	S	*	2/1997	Fenton et al.	.....	D3/260
5,915,553	A	*	6/1999	Brown et al.	.....	206/372
D439,408	S	*	3/2001	Gibson et al.	.....	D3/282
D498,923	S	*	11/2004	Chang	.....	D3/282

D520,237	S	*	5/2006	Cheng	.....	D3/276
D620,255	S	*	7/2010	Chang	.....	D3/282
D621,614	S	*	8/2010	Zuniga et al.	.....	D3/282
D633,294	S	*	3/2011	Jamison et al.	.....	D3/282
2005/0051444	A1	*	3/2005	Hurt et al.	.....	206/315.11
2005/0205372	A1	*	9/2005	Chen	.....	190/37
2011/0119986	A1	*	5/2011	Sellers	.....	206/315.11

\* cited by examiner

*Primary Examiner* — Jennifer Rivard

(74) *Attorney, Agent, or Firm* — Roylance, Abrams, Berdo and Goodman L.L.P.

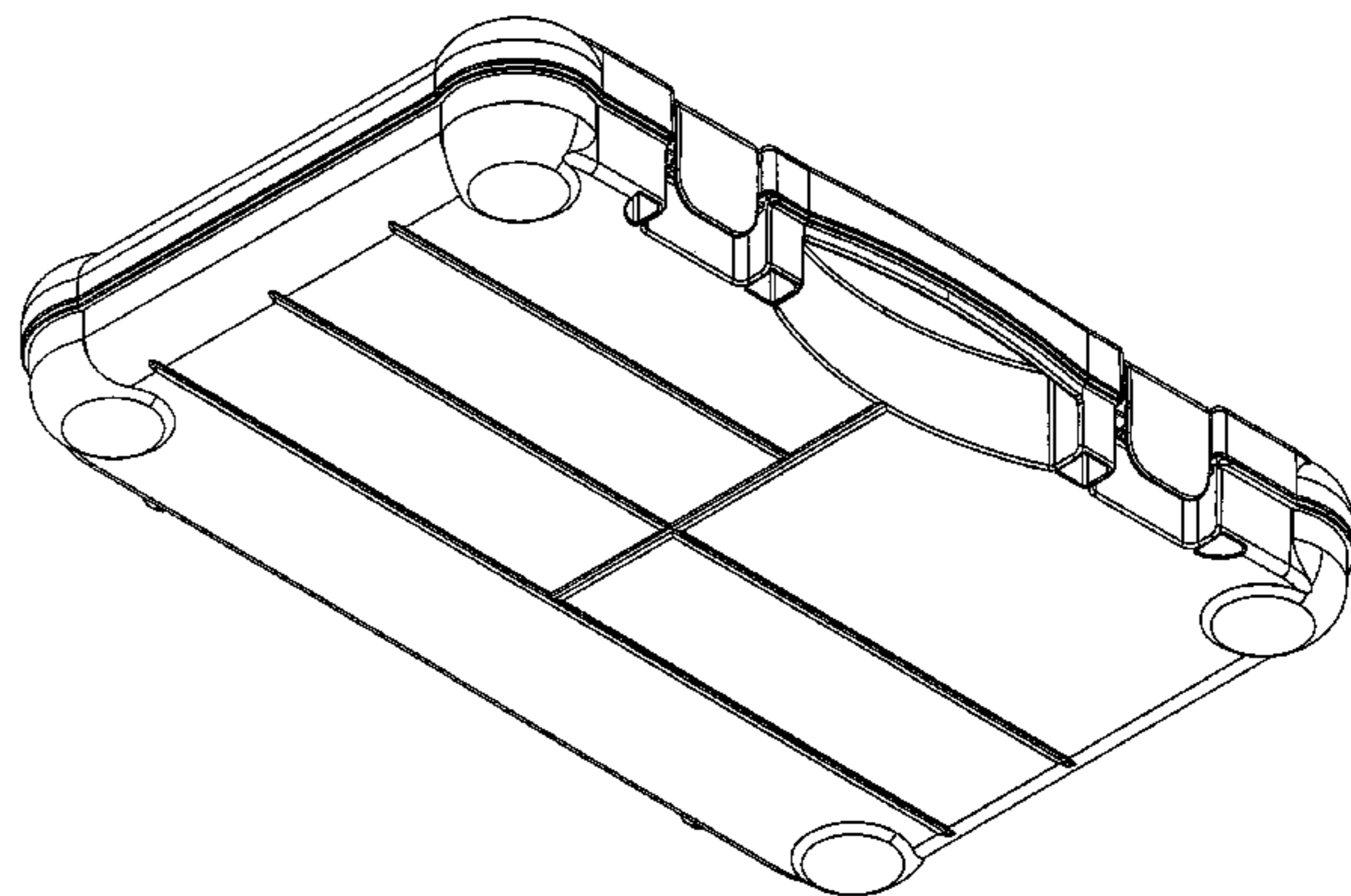
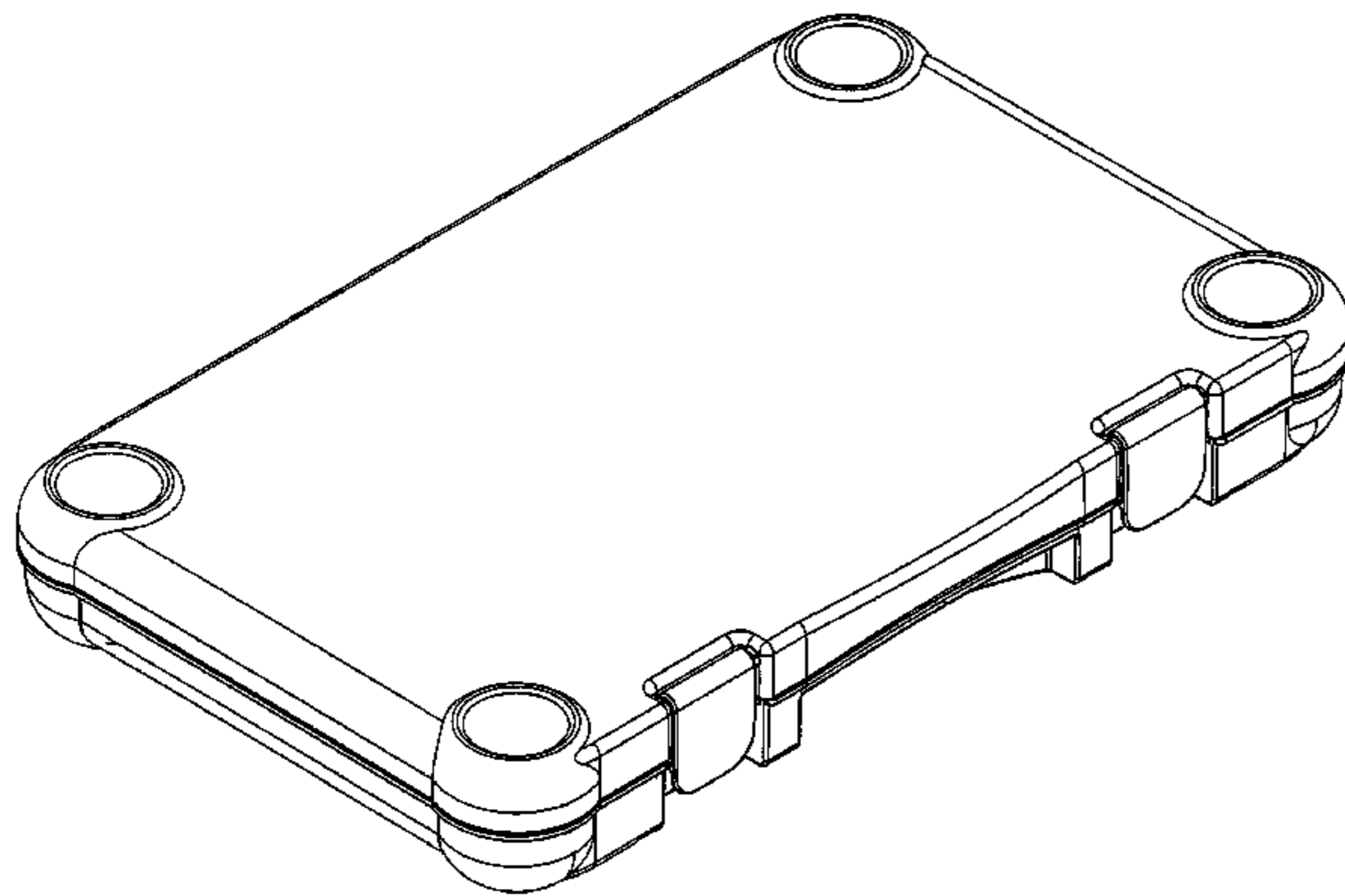
(57) **CLAIM**

I claim the ornamental design of a tackle box, as shown and described.

**DESCRIPTION**

FIG. 1 is a top perspective view of the tackle box;  
FIG. 2 is a bottom perspective view thereof;  
FIG. 3 is a top plan view thereof;  
FIG. 4 is a bottom plan view thereof;  
FIG. 5 is a front elevational view thereof;  
FIG. 6 is a rear elevational view thereof; and,  
FIG. 7 is a one side elevational view thereof, with the other side being substantially a mirror image thereof as shown in FIGS. 1 and 2.

**1 Claim, 7 Drawing Sheets**



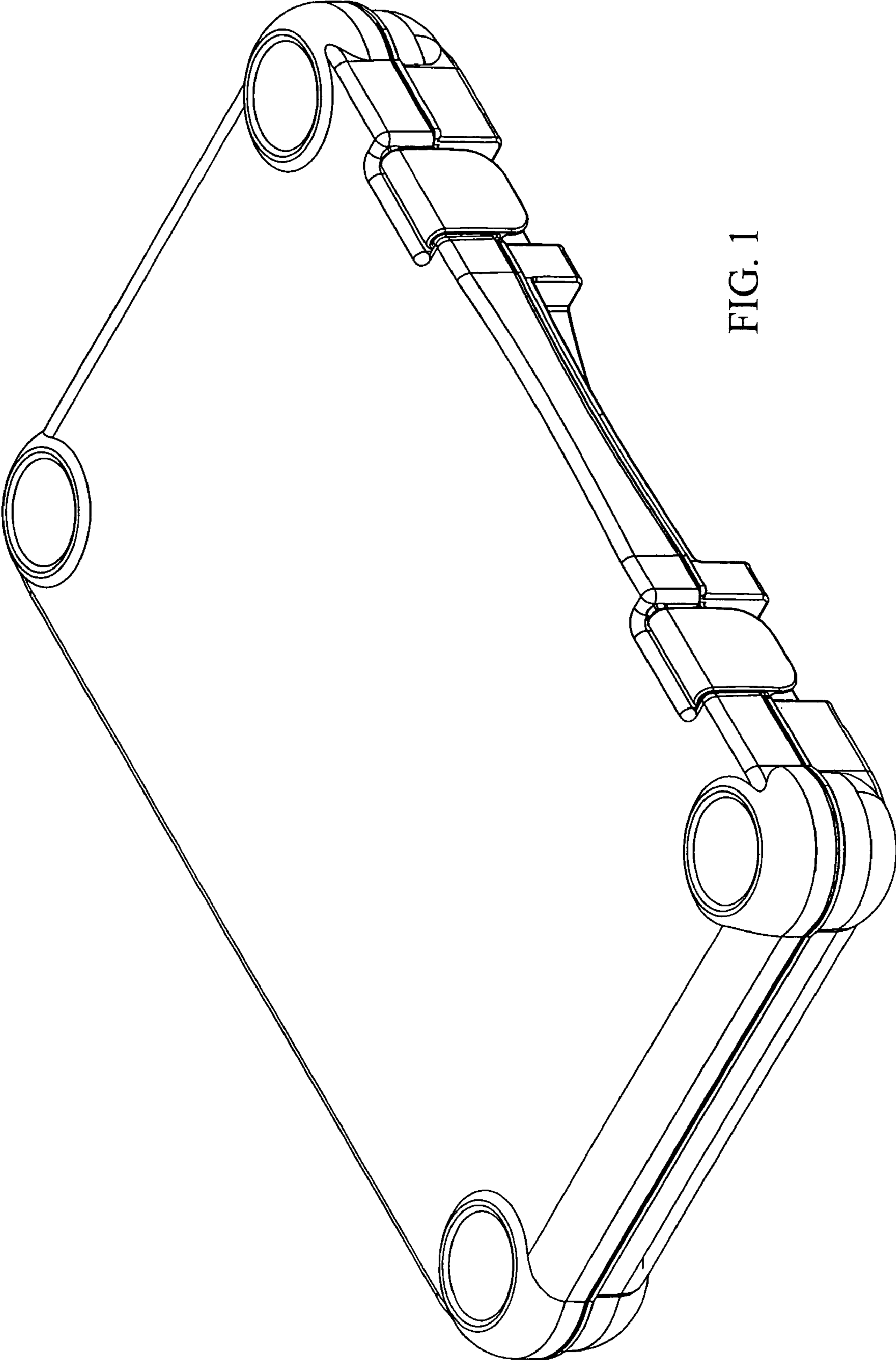


FIG. 1

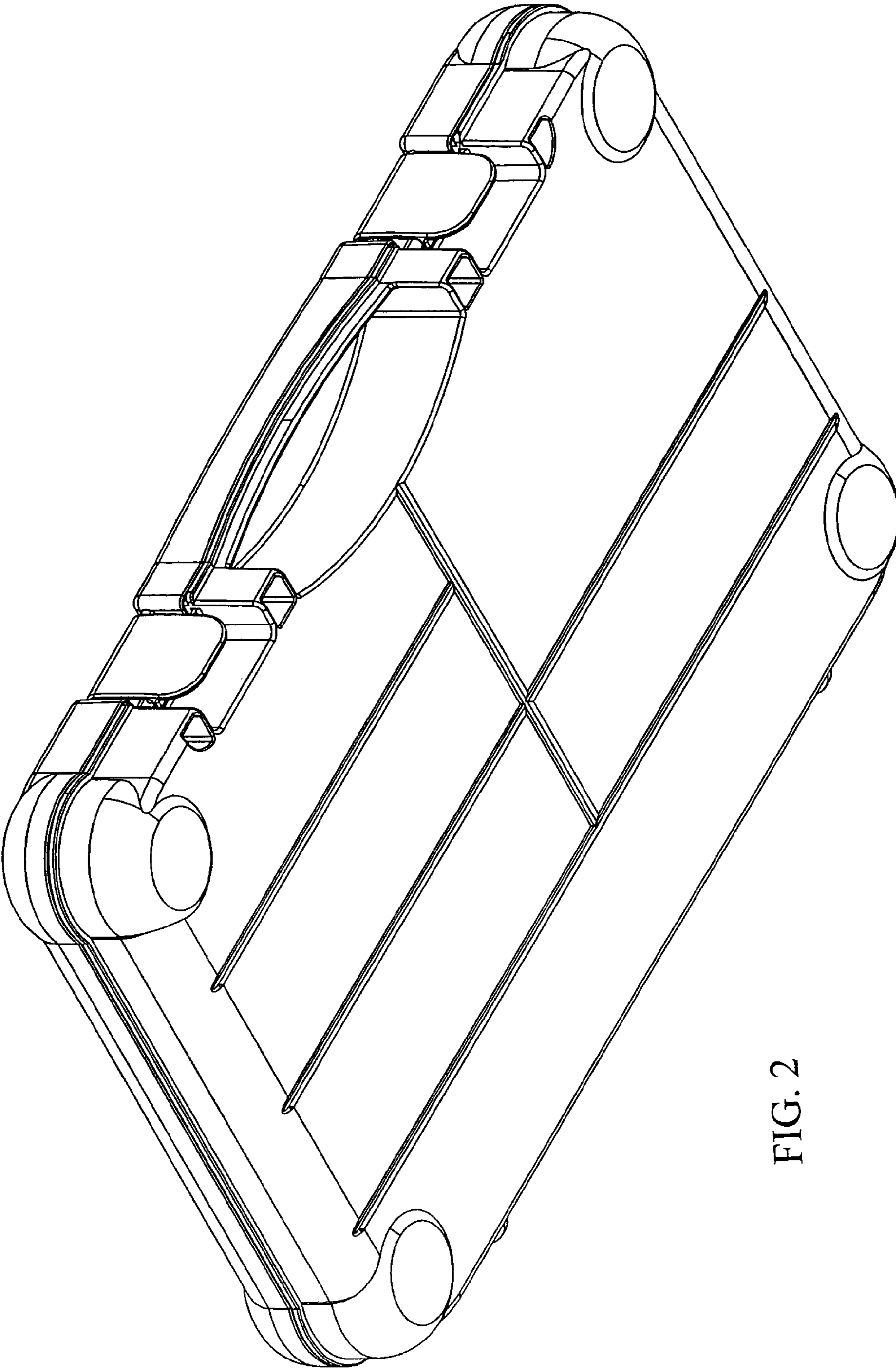


FIG. 2

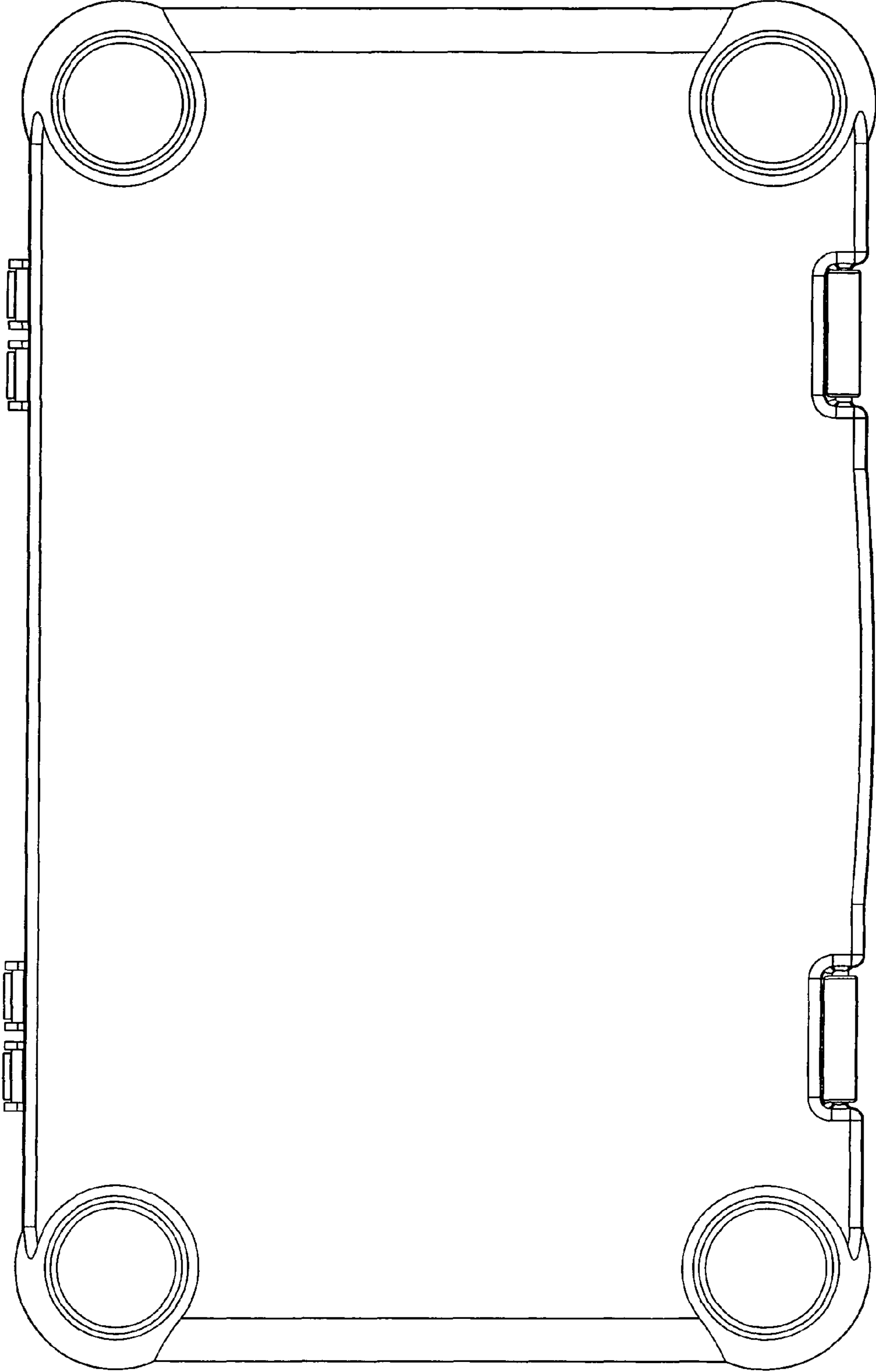


FIG. 3

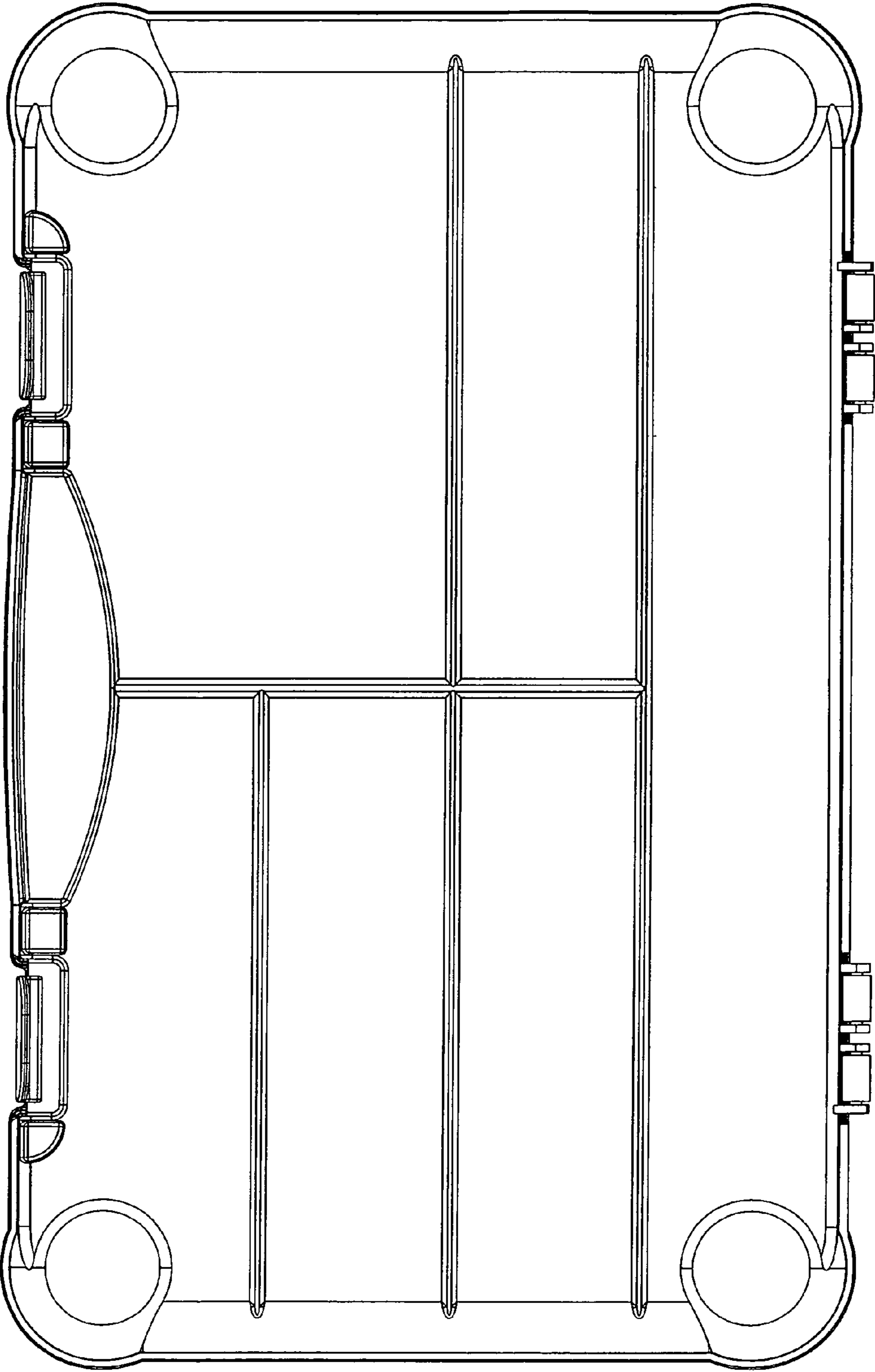


FIG. 4

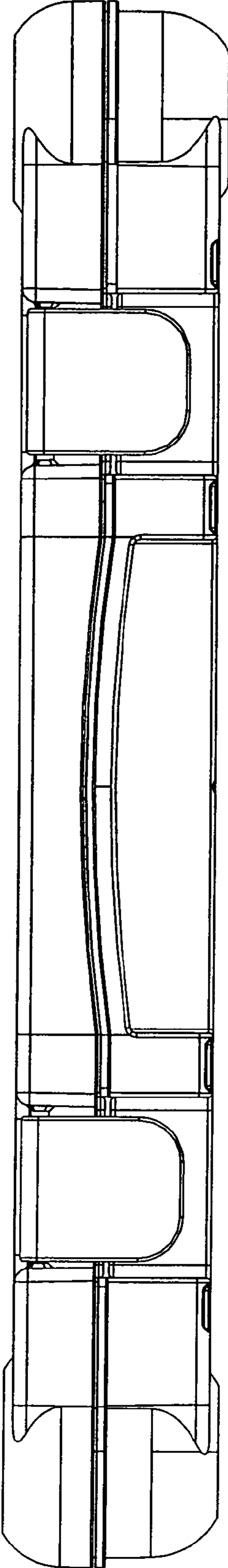


FIG. 5

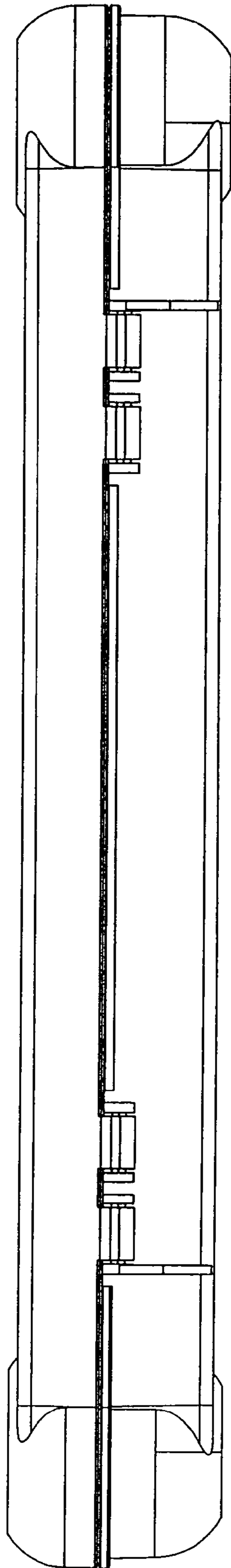


FIG. 6

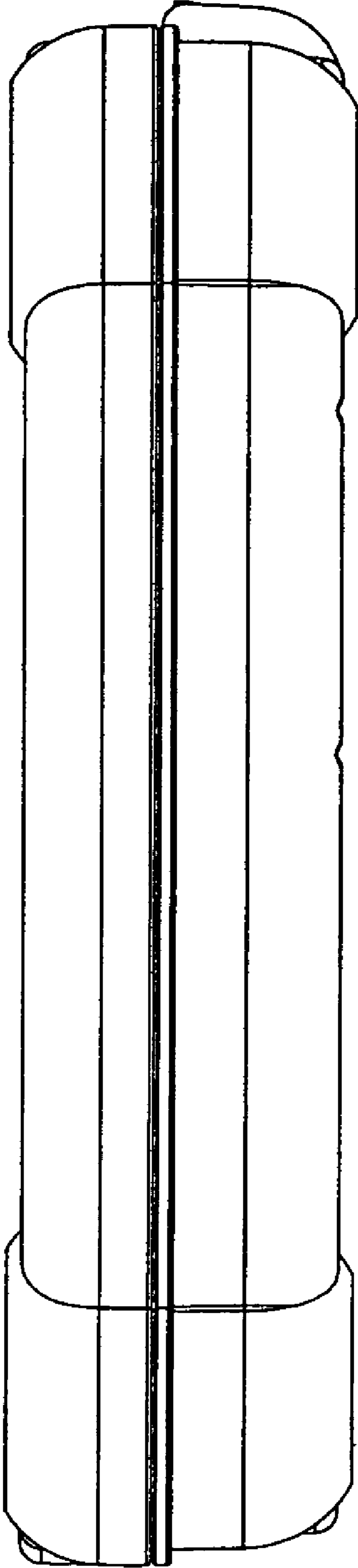


FIG. 7