

US00D665164S

(12) **United States Design Patent**  
**Weir**

(10) **Patent No.:** **US D665,164 S**

(45) **Date of Patent:** **\*\* Aug. 14, 2012**

(54) **FLYING DISC SADDLEBAG**

(76) Inventor: **Samuel Douglas Weir**, Kenai, AK (US)

(\*\*) Term: **14 Years**

(21) Appl. No.: **29/402,362**

(22) Filed: **Sep. 22, 2011**

(51) **LOC (9) Cl.** ..... **03-01**

(52) **U.S. Cl.** ..... **D3/221**

(58) **Field of Classification Search** ..... D3/221,  
D3/215, 224, 226, 228, 254, 257, 234, 238,  
D3/244, 269-271; 224/577, 601, 605, 613-614,  
224/919; 206/315.1, 315.9; 383/11, 117,  
383/4, 13, 67; 273/142 H

See application file for complete search history.

(56) **References Cited**

**U.S. PATENT DOCUMENTS**

1,737,065 A \* 11/1929 Thornton ..... 383/117  
D289,226 S \* 4/1987 Zisholtz ..... D3/221  
D332,350 S \* 1/1993 Anderson ..... D3/257

7,240,517 B2 \* 7/2007 Barak ..... 383/117  
\* cited by examiner

*Primary Examiner* — Catheri Oliver

(74) *Attorney, Agent, or Firm* — Patent Law Offices of Rick Martin, P.C.

(57) **CLAIM**

The ornamental design for a flying disc saddlebag, as shown and described.

**DESCRIPTION**

FIG. 1 is a side perspective view for my flying disc saddlebag. FIG. 2 is a front elevation view of my flying disc saddlebag. FIG. 3 is a rear elevation view of my flying disc saddlebag. FIG. 4 is a top plan view of my flying disc saddlebag. FIG. 5 is a bottom plan view of my flying disc saddlebag; and, FIG. 6 is a right side elevation view of my flying disc saddlebag, wherein a left side elevation view is a mirror image thereof.

The broken lines indicating a belt and a flying disc are for purposes of illustrating possible uses for my new design and form no part of the claimed design.

**1 Claim, 3 Drawing Sheets**

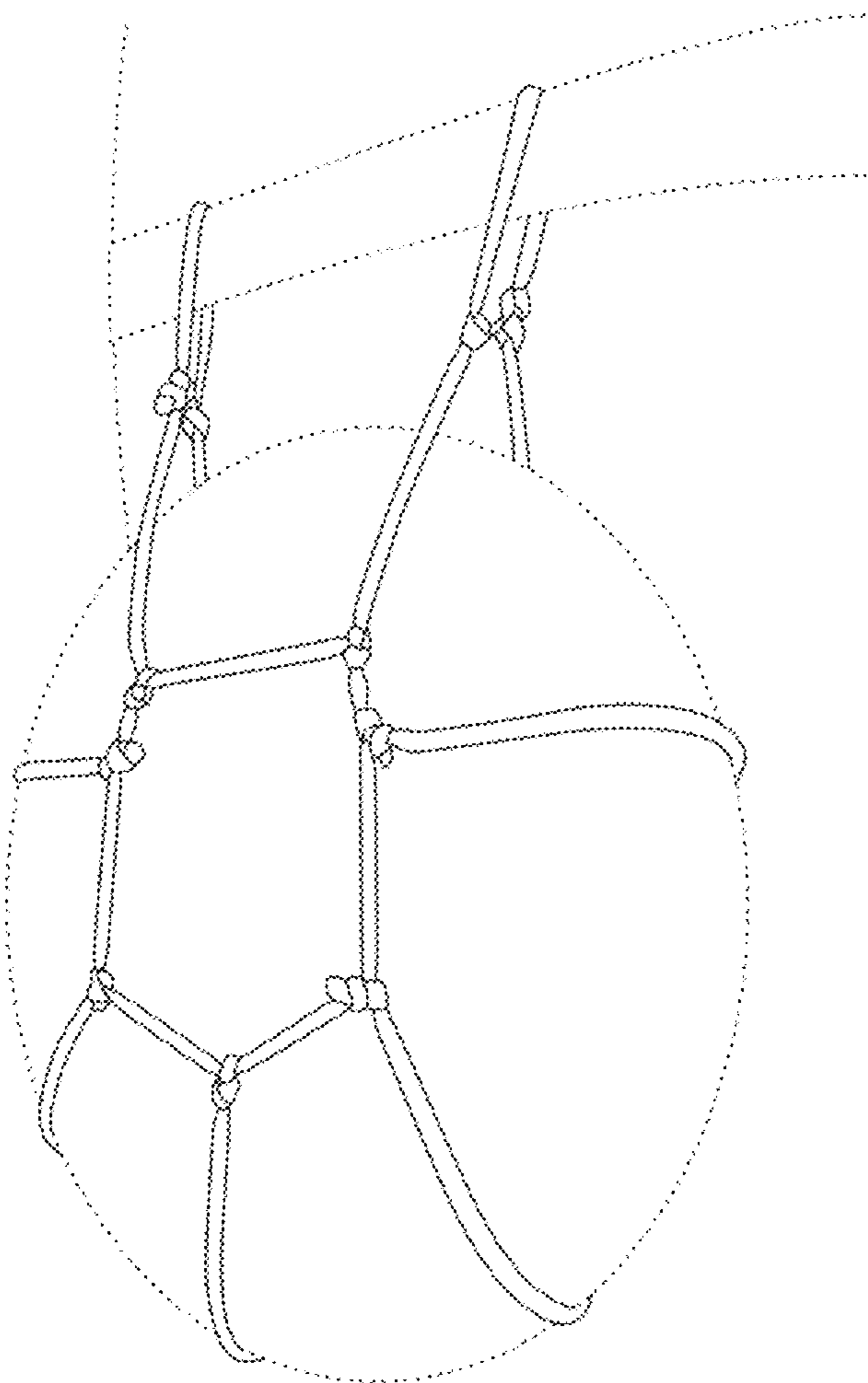


Fig 1

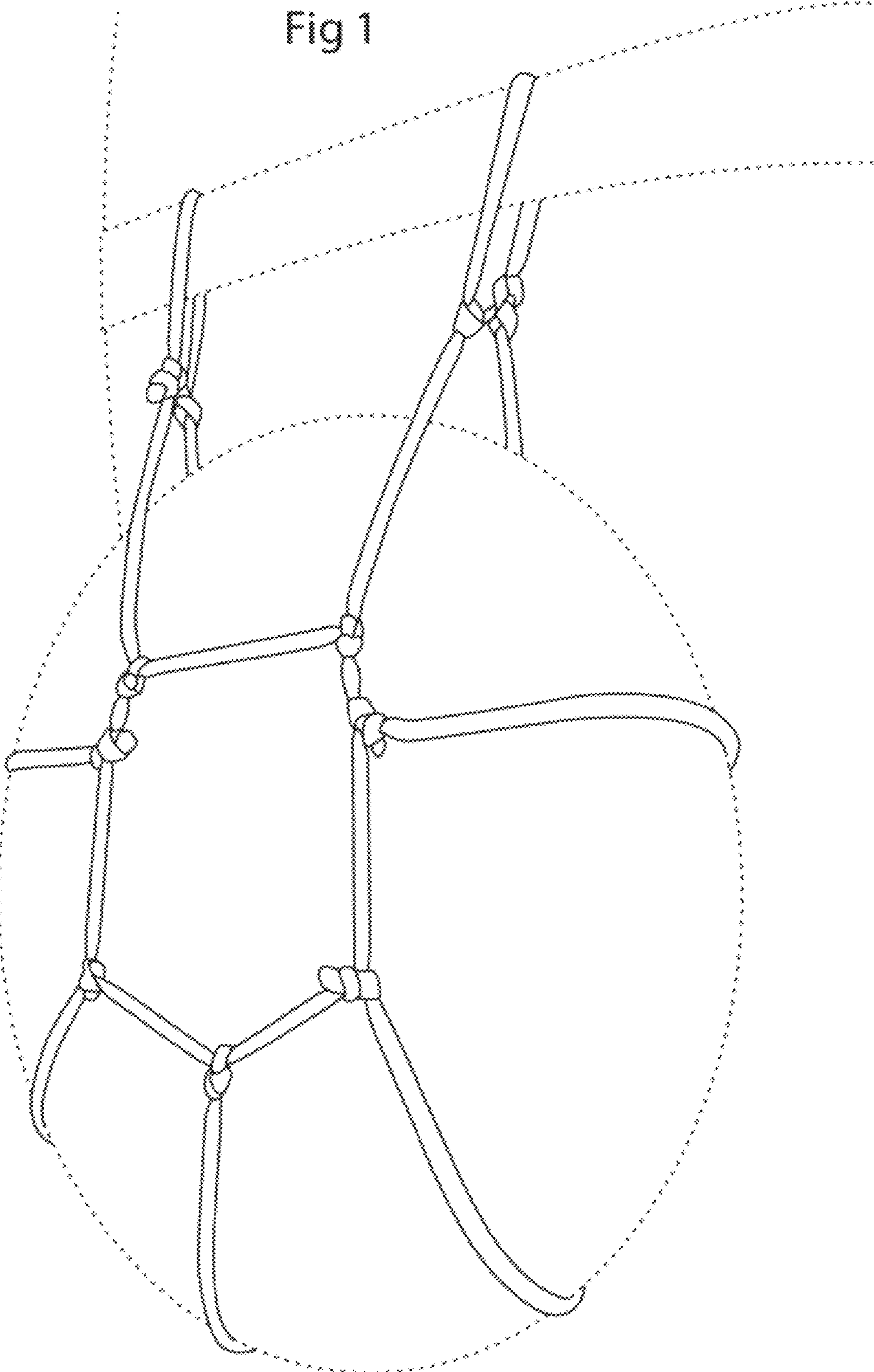


Fig 3

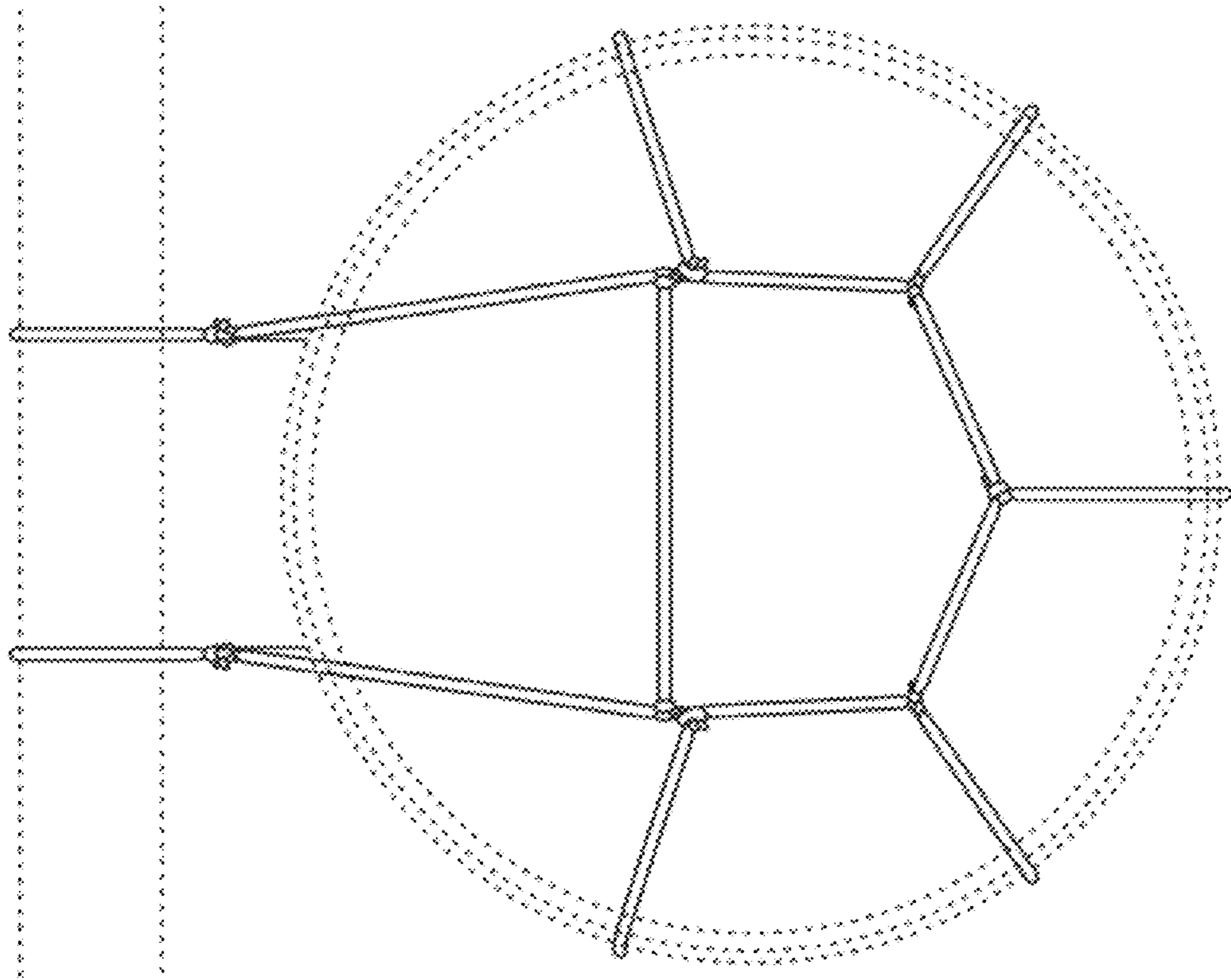


Fig 2

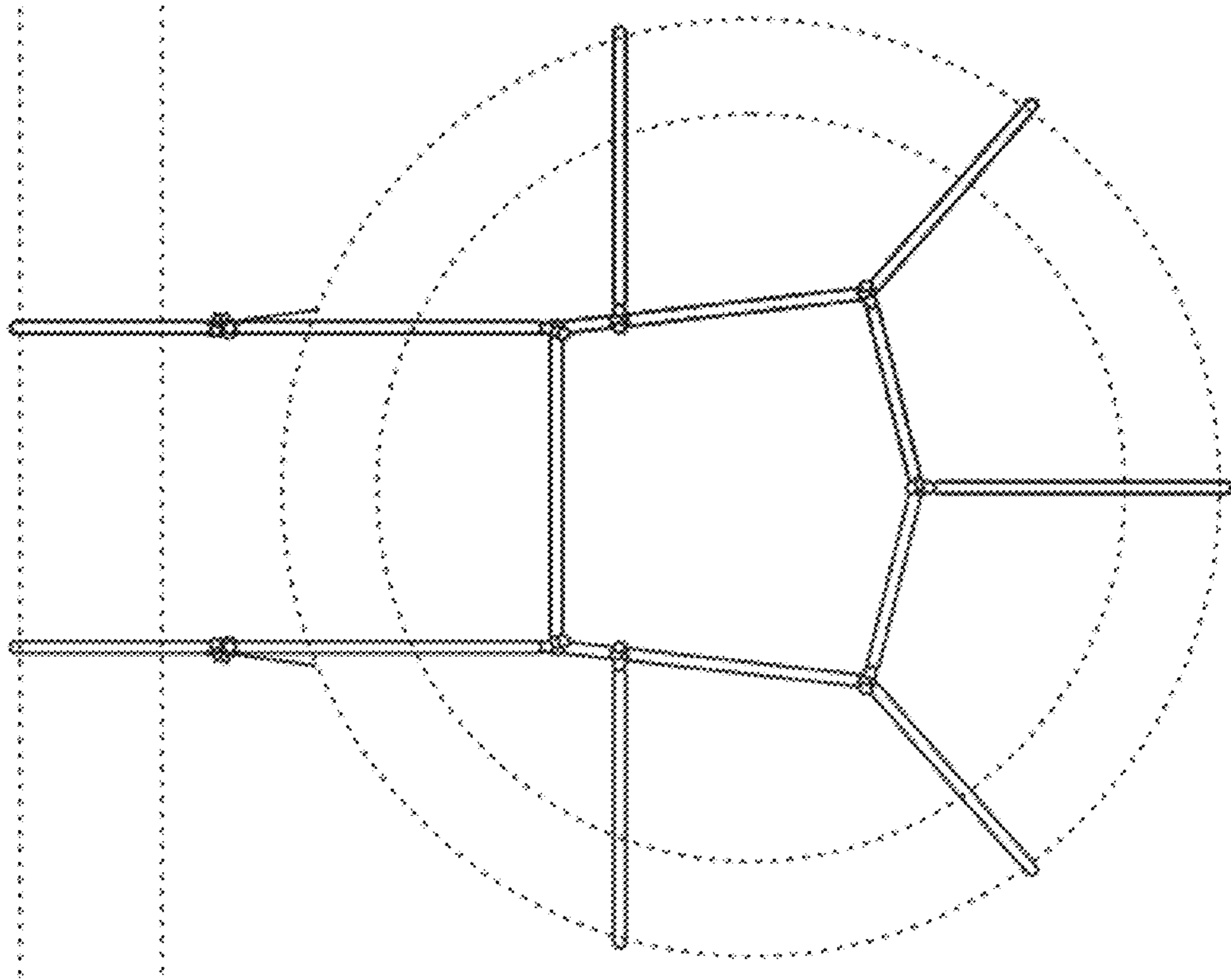


Fig 4

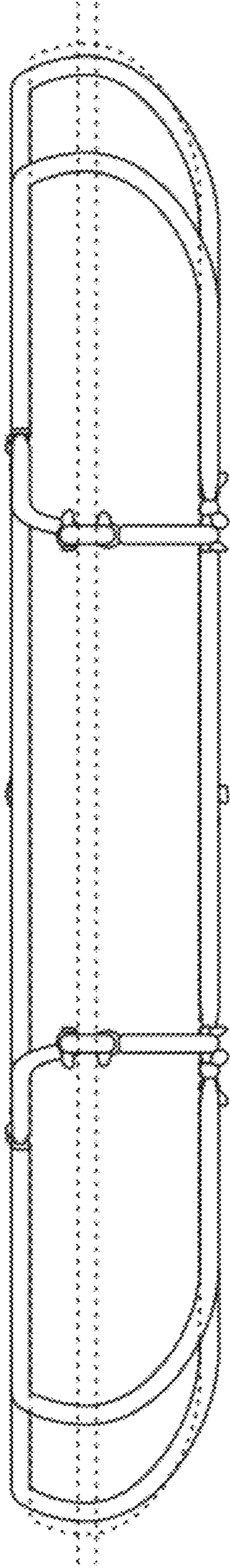


Fig 5

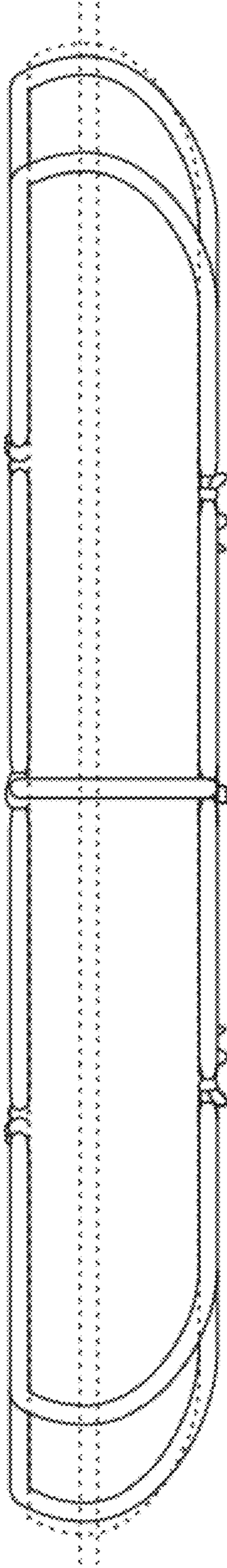


Fig 6

