

US00D665155S

(12) **United States Design Patent**
Arnold

(10) **Patent No.:** **US D665,155 S**

(45) **Date of Patent:** **** Aug. 14, 2012**

(54) **SANDAL**

(76) **Inventor:** **Stephen H. Arnold**, San Diego, CA
(US)

(**) **Term:** **14 Years**

(21) **Appl. No.:** **29/410,015**

(22) **Filed:** **Jan. 3, 2012**

(51) **LOC (9) Cl.** **02-04**

(52) **U.S. Cl.** **D2/917**

(58) **Field of Classification Search** D02/900,
D02/916-919, 946, 969, 974, 896; 36/45,
36/11.5, 90, 101, 3 A, 44, 3 B, 8.1, 7.7
See application file for complete search history.

(56) **References Cited**

U.S. PATENT DOCUMENTS

D132,630	S	*	6/1942	Pfeiffer	D2/916
4,813,162	A	*	3/1989	Harris	36/88
D305,176	S	*	12/1989	Campbell	D2/916
5,205,071	A	*	4/1993	Hergenroeder	36/8.1
D452,363	S	*	12/2001	Mansour	D2/916
D465,642	S	*	11/2002	Petrovski	D2/916

D465,906	S	*	11/2002	Petrovski	D2/916
D560,346	S	*	1/2008	Belley et al.	D2/969
D562,535	S	*	2/2008	Giorgio	D2/916

* cited by examiner

Primary Examiner — Robert M Spear

Assistant Examiner — Rashida C McCoy

(74) *Attorney, Agent, or Firm* — Buche & Associates, P.C.;
John K. Buche

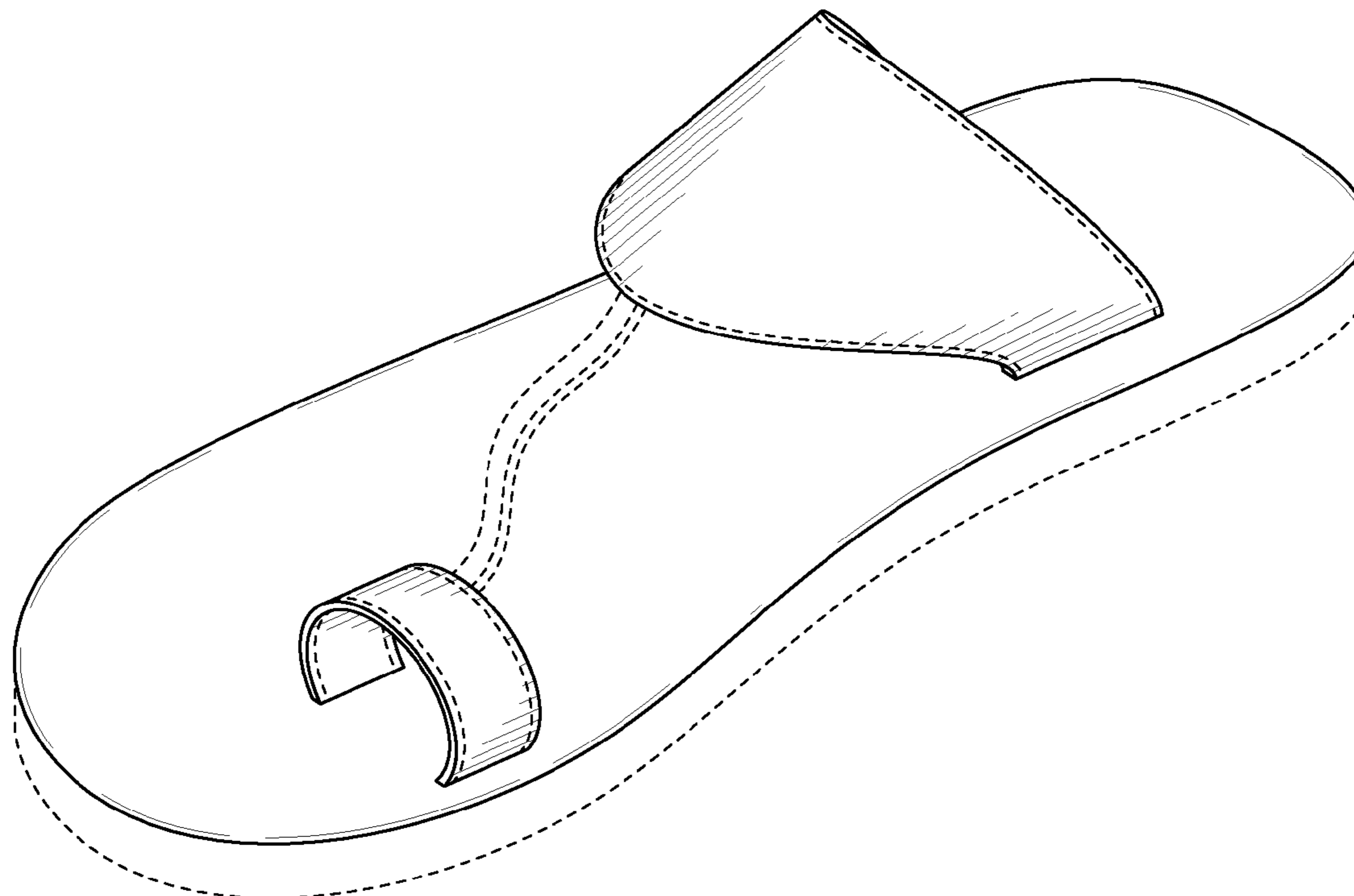
(57) **CLAIM**

The ornamental design for sandal, as shown and described.

DESCRIPTION

FIG. 1 is a perspective view of a sandal.
FIG. 2 is a left-side view of the sandal of FIG. 1.
FIG. 3 is a right-side view of the sandal of FIG. 1.
FIG. 4 is a front view of the sandal of FIG. 1.
FIG. 5 is a back view of the sandal of FIG. 1.
FIG. 6 is a top view of the sandal of FIG. 1; and,
FIG. 7 is a bottom view of the sandal of FIG. 1.
In the figures, features of the sandal which are depicted in dashed lines do not form part of the claimed design.

1 Claim, 3 Drawing Sheets



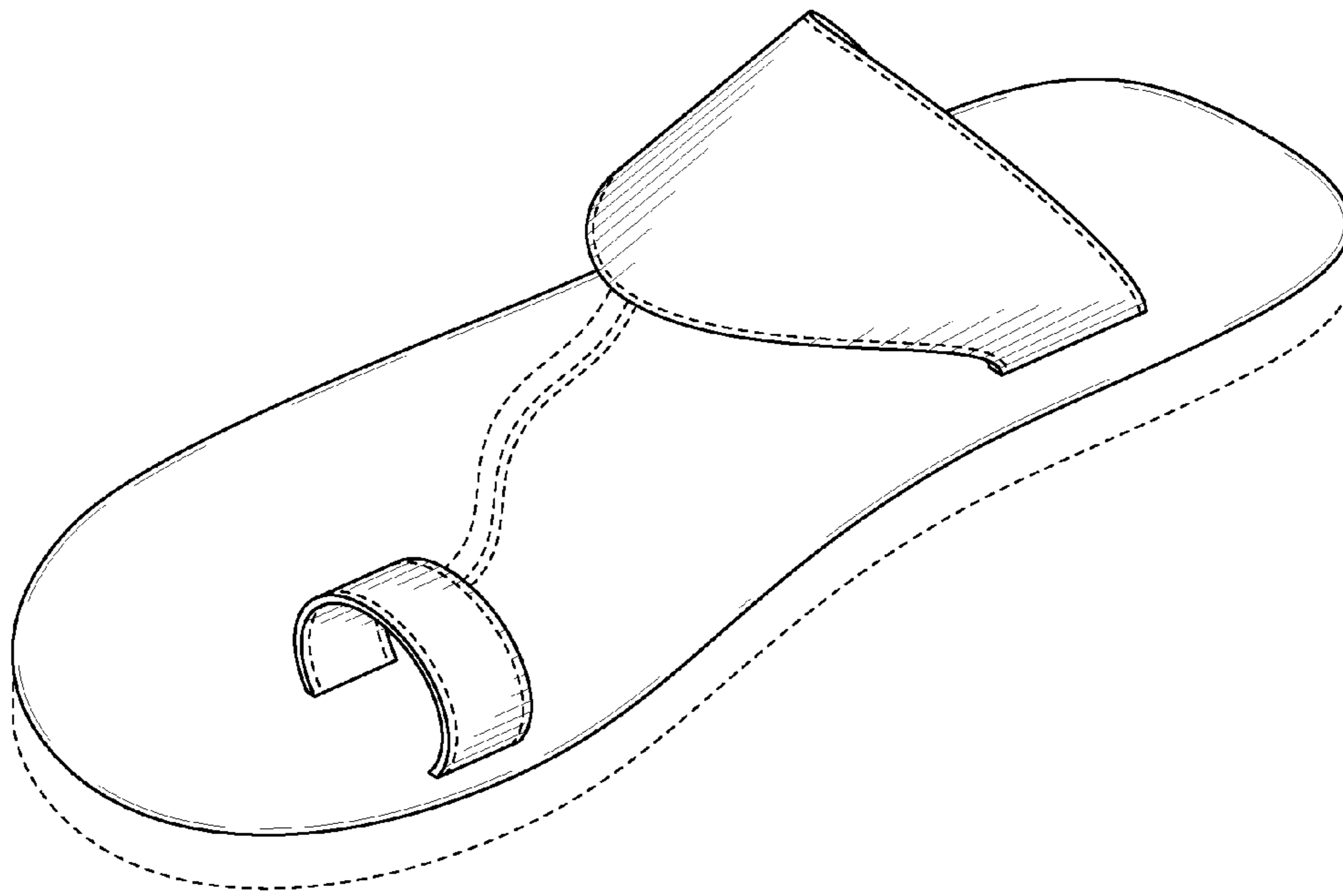


FIG. 1

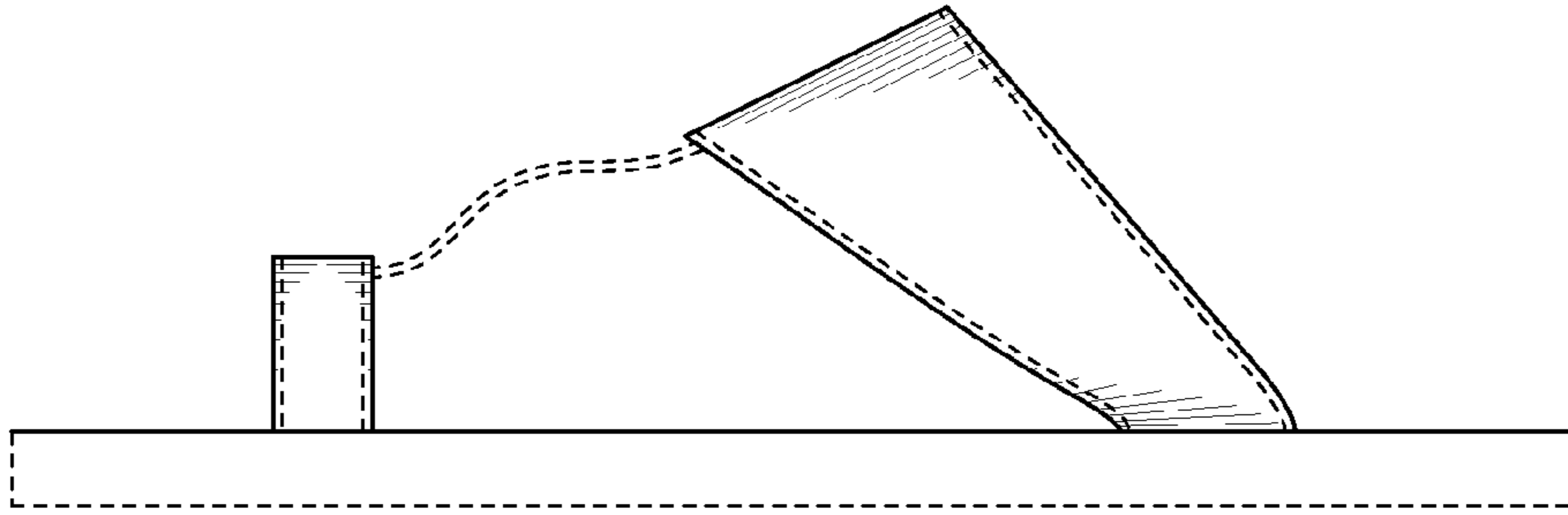


FIG. 2

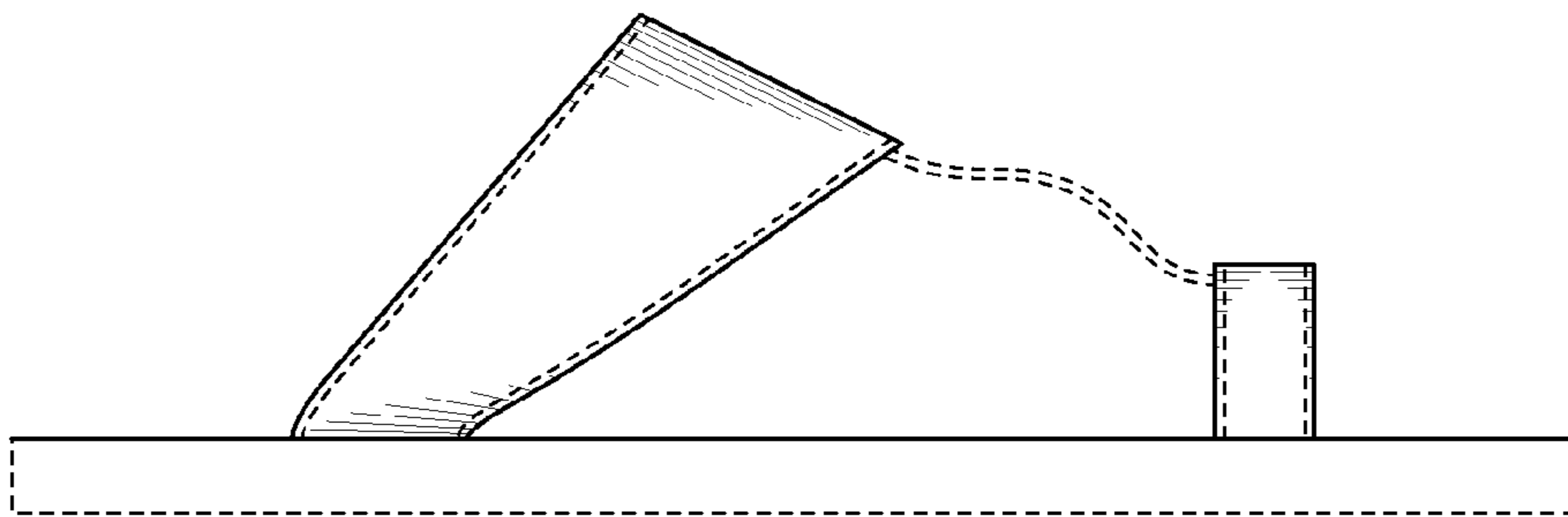


FIG. 3

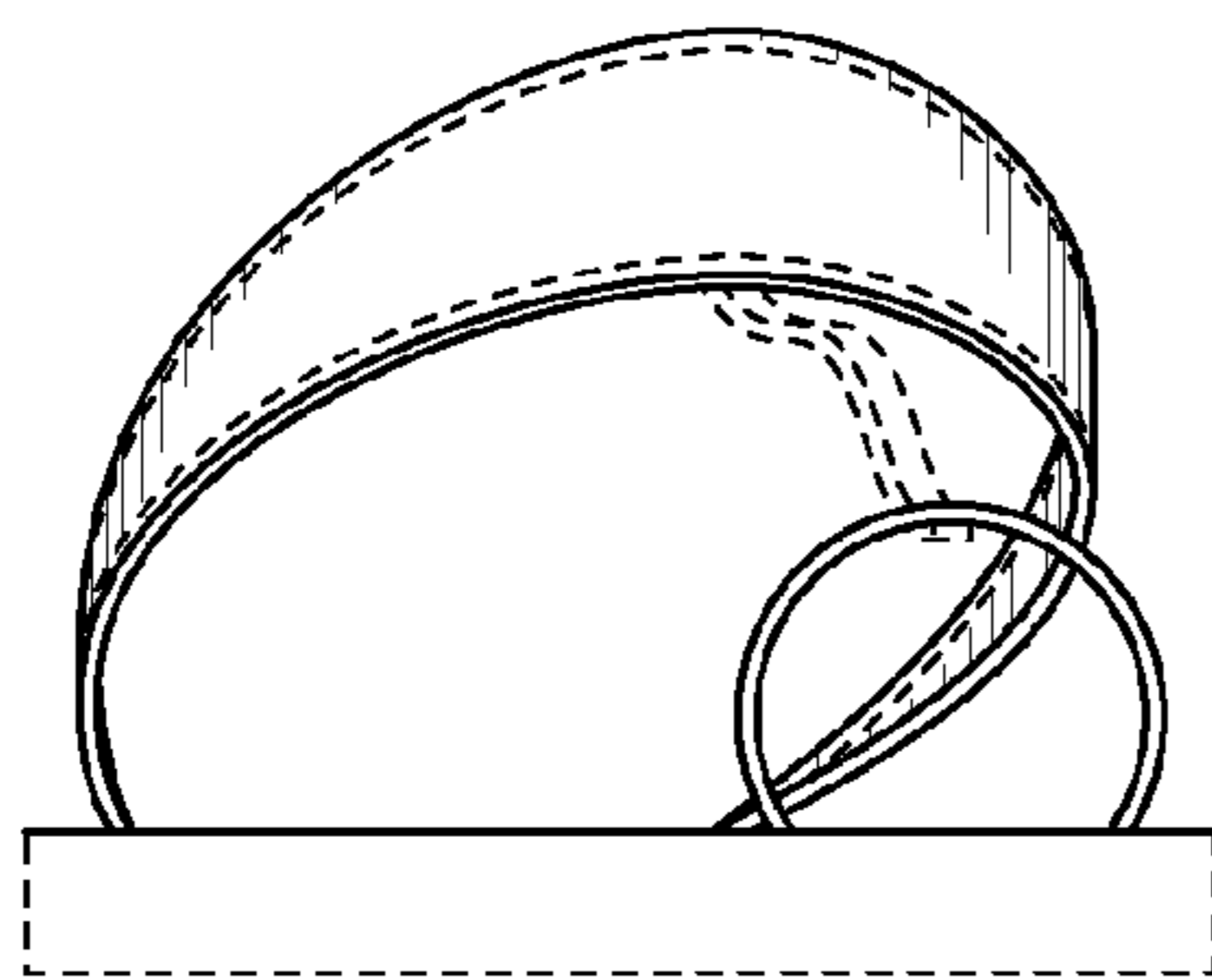


FIG. 4

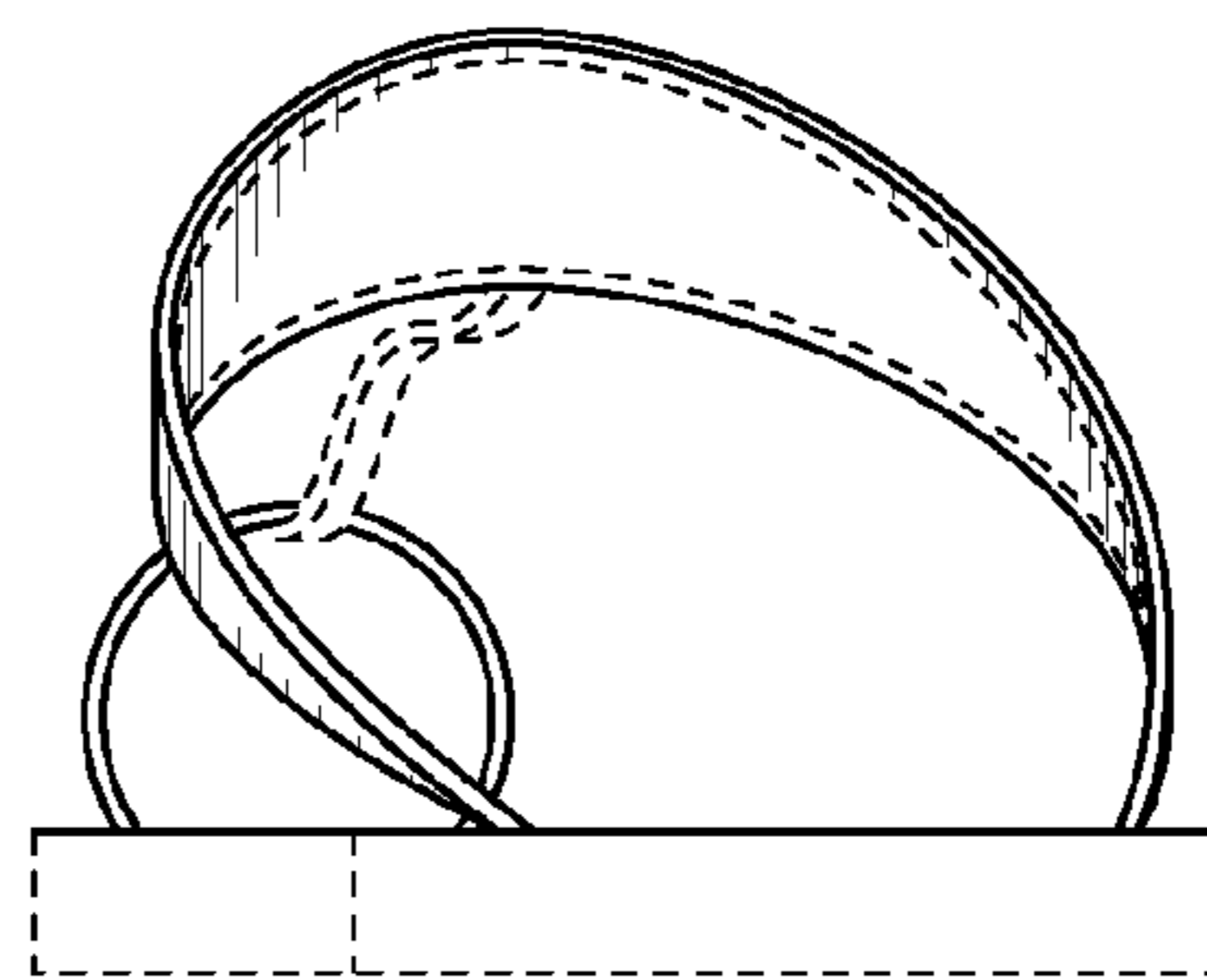


FIG. 5

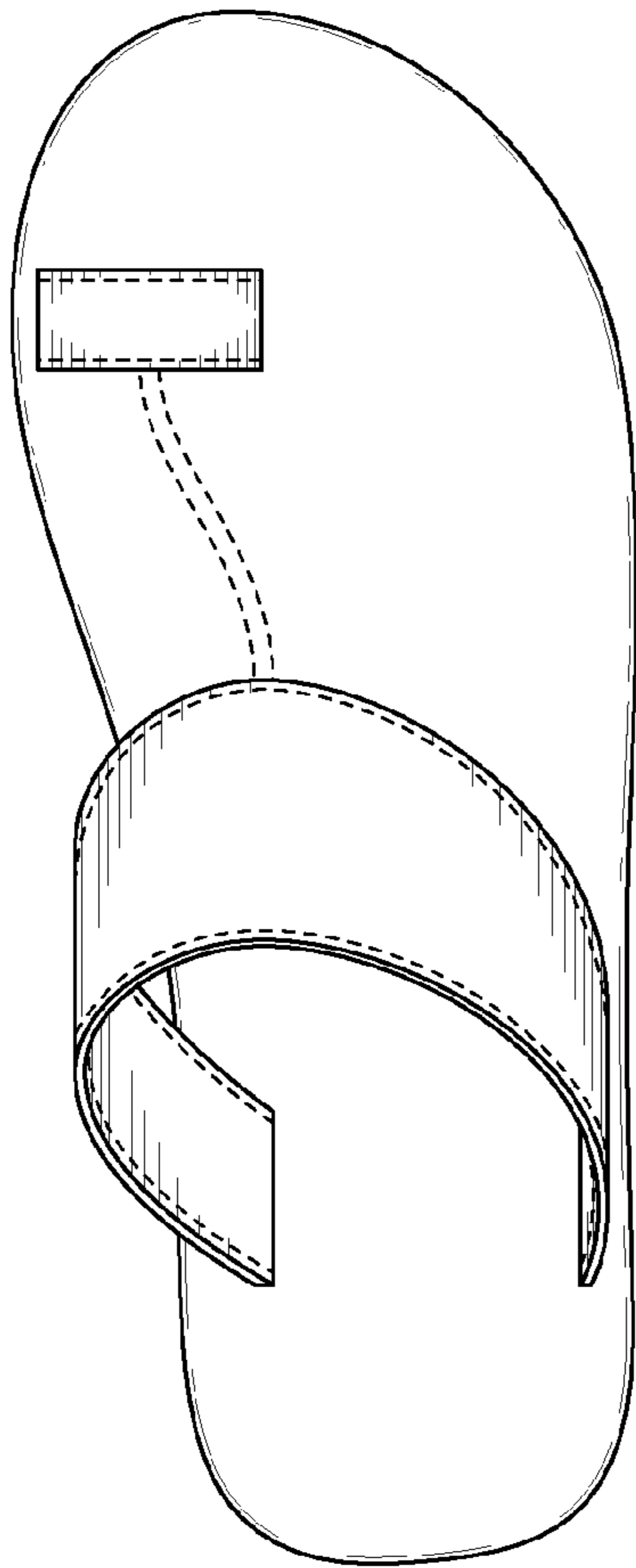


FIG. 6

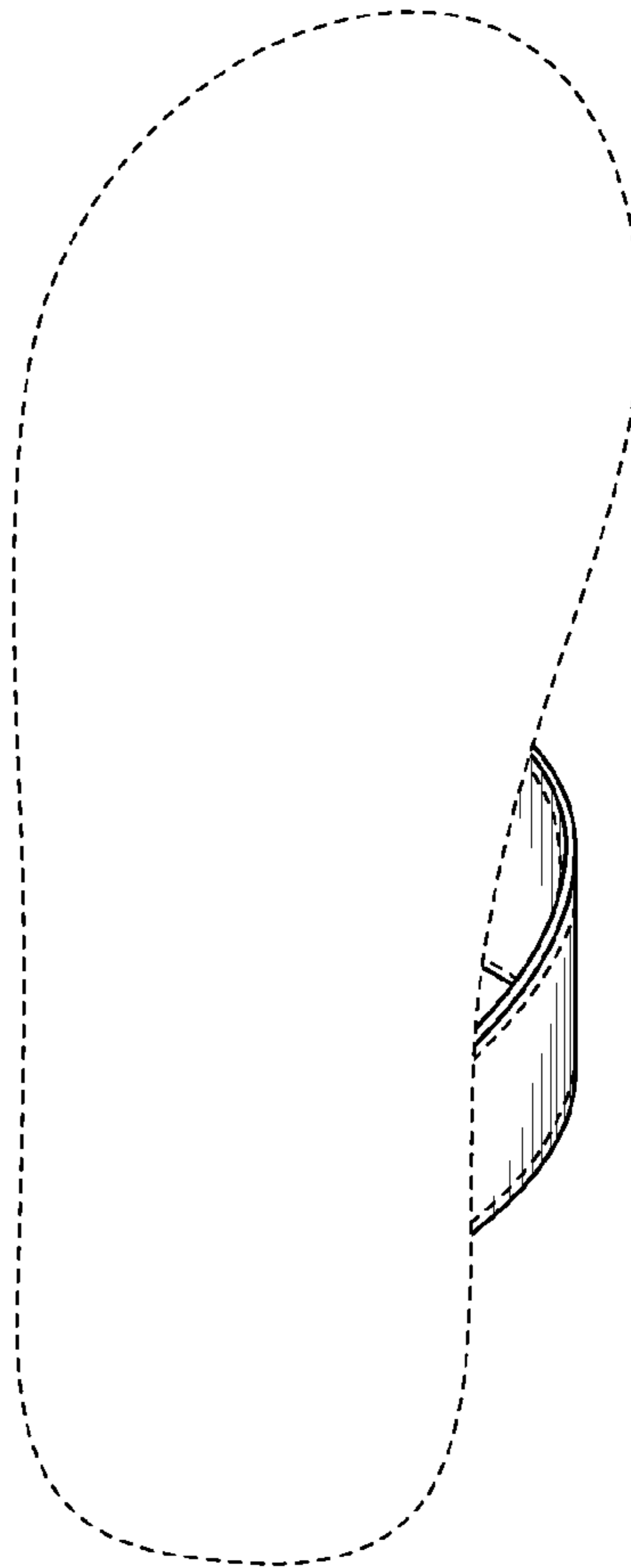


FIG. 7