



US00D665146S

(12) **United States Design Patent**
Afchain

(10) **Patent No.:** **US D665,146 S**

(45) **Date of Patent:** **** Aug. 14, 2012**

(54) **CHOCOLATE BAR**

(75) Inventor: **Arnaud Afchain**, Paris (FR)

(73) Assignee: **Barry Callebaut AG**, Zurich (CH)

(**) Term: **14 Years**

(21) Appl. No.: **29/389,571**

(22) Filed: **Apr. 13, 2011**

(30) **Foreign Application Priority Data**

Oct. 13, 2010 (EP) 001767674-0001

(51) **LOC (9) Cl.** **01-01**

(52) **U.S. Cl.** **D1/127**

(58) **Field of Classification Search** D1/100-101,
D1/121, 125, 127-128, 199; D21/386; D24/101,
D24/104; D28/8.1; 426/3, 5, 76, 103, 122,
426/144, 660, 512, 515, 383
See application file for complete search history.

(56) **References Cited**

U.S. PATENT DOCUMENTS

D68,619 S * 11/1925 Epstein D1/127
D88,109 S * 10/1932 Reiche D1/127

D417,766 S * 12/1999 Sherman et al. D1/127
D428,681 S * 8/2000 Aftoora D1/127
D429,402 S * 8/2000 Reisman D1/128
D432,756 S * 10/2000 Rapaport D1/129
D498,343 S * 11/2004 Malina et al. D1/127
D509,642 S * 9/2005 Cudjoe D1/127
D588,777 S * 3/2009 Bornholdt D1/127
D641,947 S * 7/2011 Bruyea et al. D1/127
D641,950 S * 7/2011 Bruyea et al. D1/127
D655,067 S * 3/2012 Bruyea et al. D1/127

* cited by examiner

Primary Examiner — Barbara Fox

(74) *Attorney, Agent, or Firm* — Hoxie & Associates, LLC

(57) **CLAIM**

The ornamental design for a chocolate bar, as shown and described.

DESCRIPTION

FIG. 1 is a perspective view of a chocolate bar of the present design;

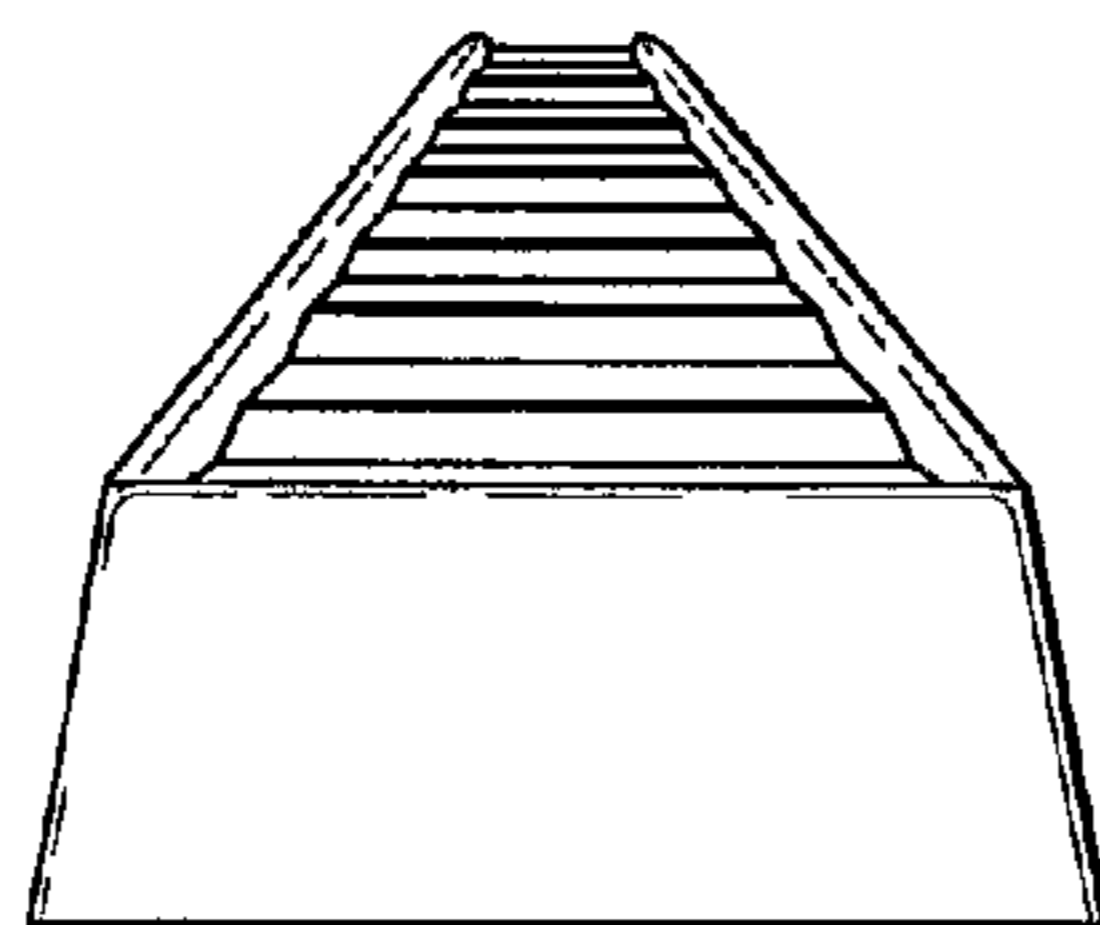
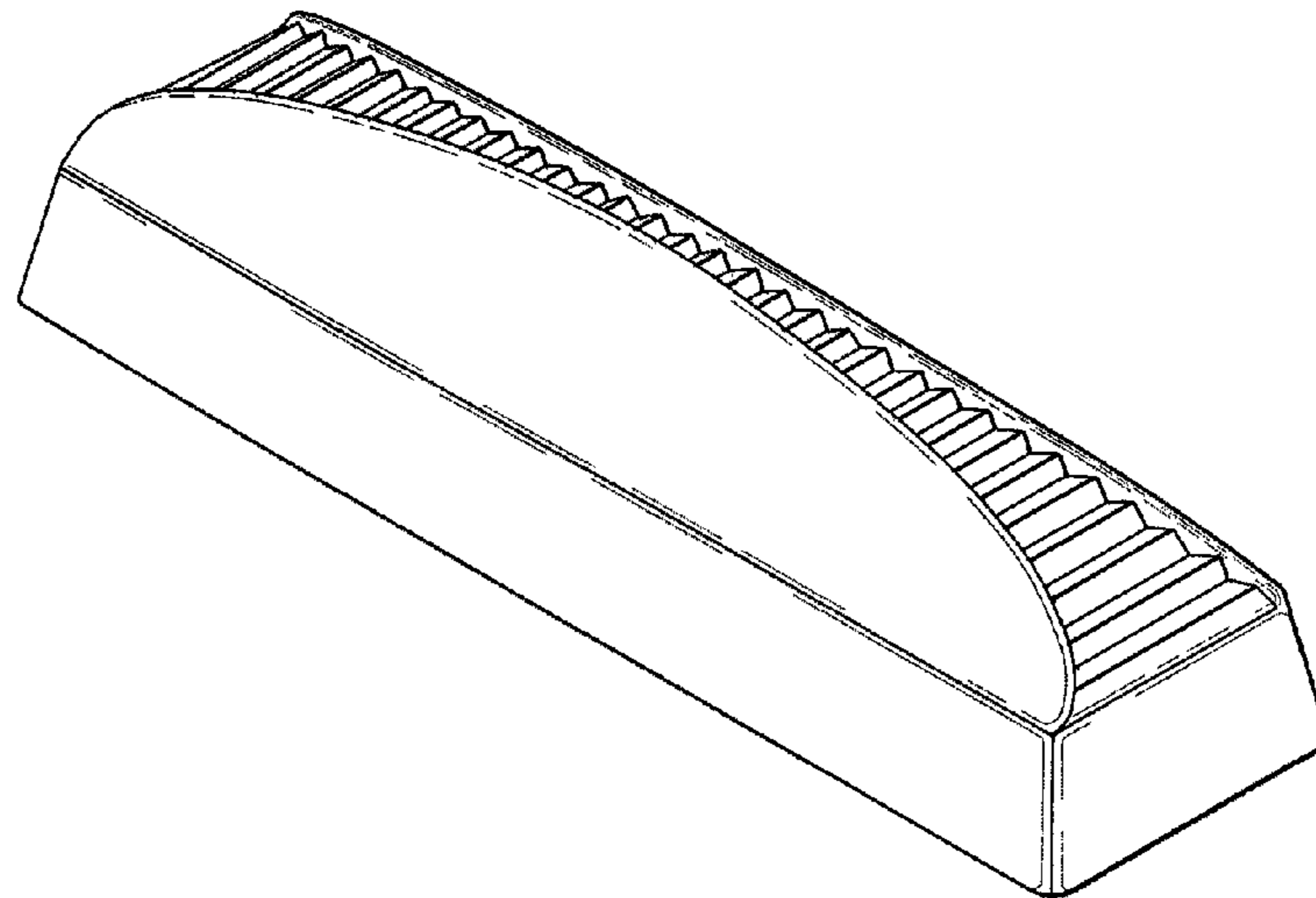
FIG. 2 is a top view of FIG. 1;

FIG. 3 is a bottom view of FIG. 1;

FIG. 4 is a side view of FIG. 1; and,

FIG. 5 is a front side view of FIG. 1.

1 Claim, 2 Drawing Sheets



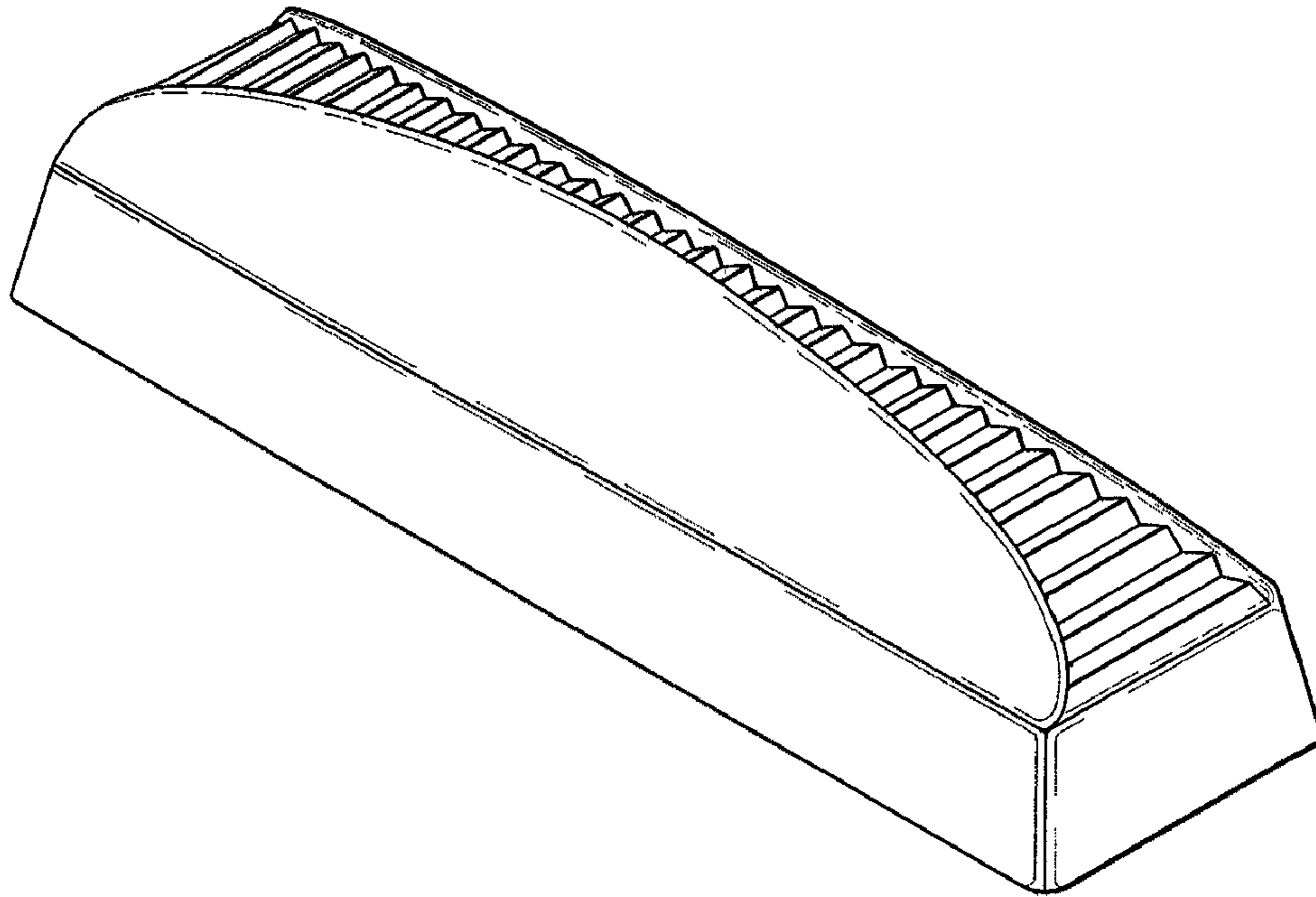


Fig. 1

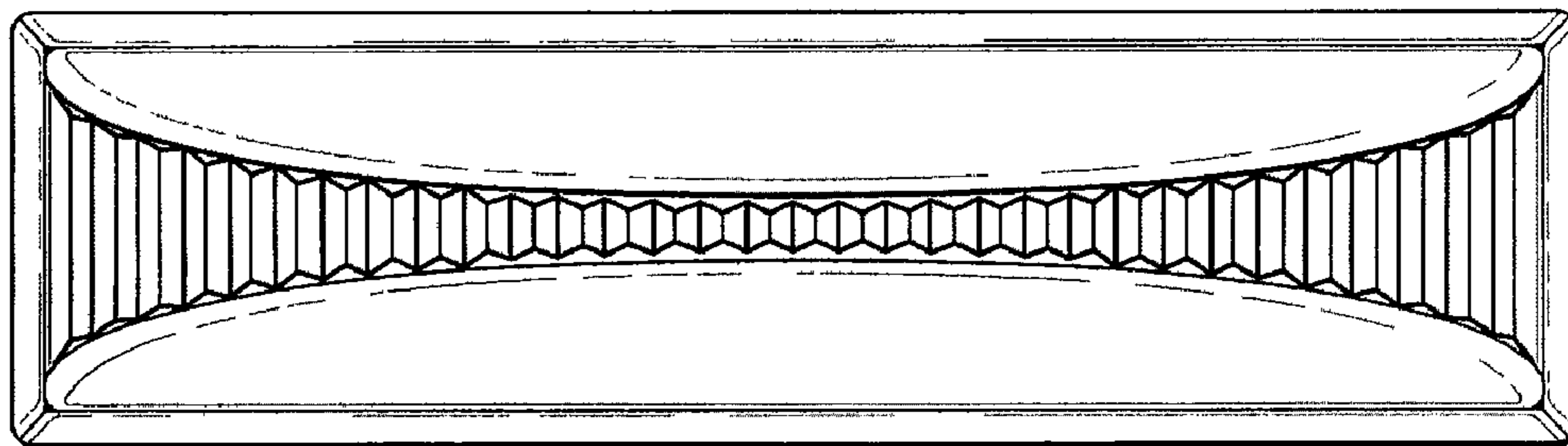


Fig. 2

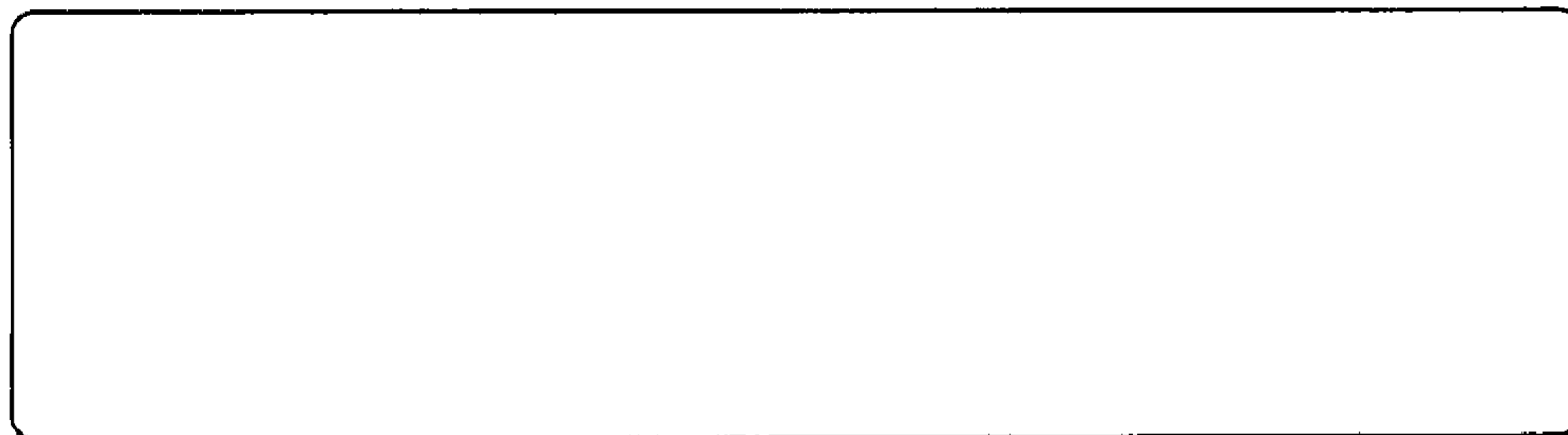


Fig. 3

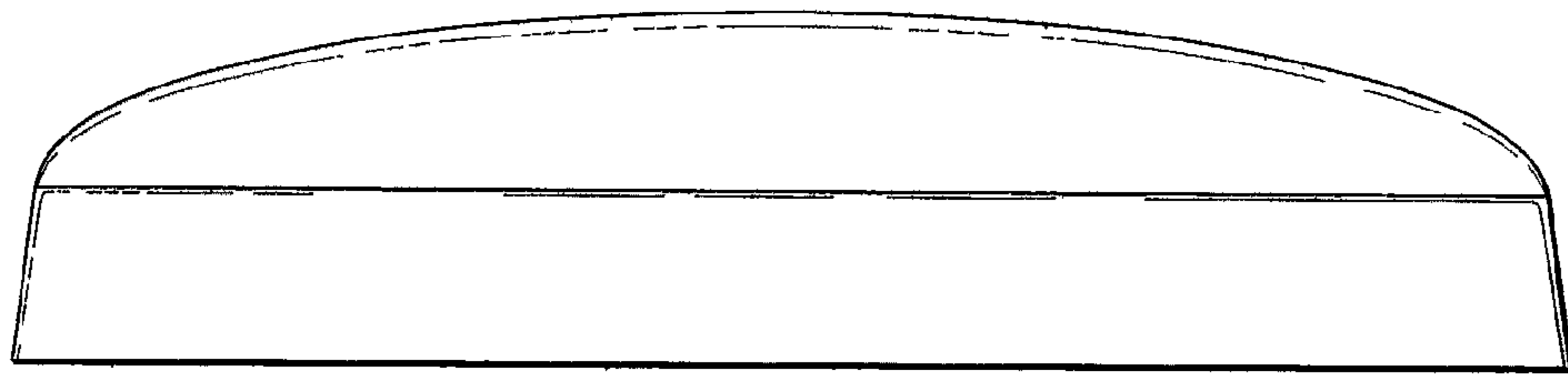


Fig. 4

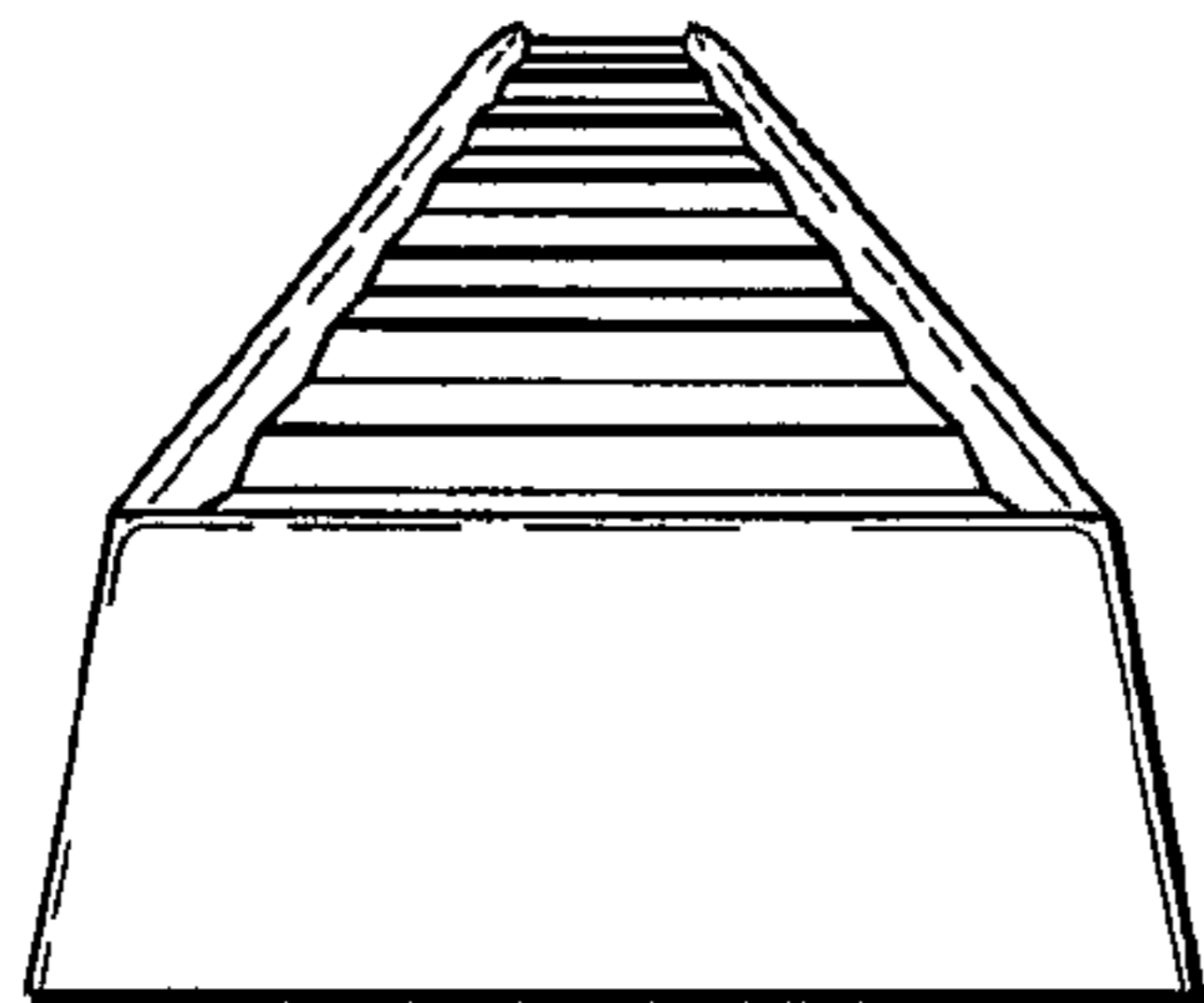


Fig. 5