

US00D665144S

(12) **United States Design Patent**  
**Pedersen**

(10) **Patent No.:** **US D665,144 S**  
(45) **Date of Patent:** **\*\* Aug. 7, 2012**

(54) **CONVEYOR FOR TRANSPORTING PELT  
BOARDS**

(75) Inventor: **Rudi Pedersen**, Herning (DK)

(73) Assignee: **Dansk Mink Papir A/S**, Holstebro (DK)

(\*\*) Term: **14 Years**

(21) Appl. No.: **29/393,100**

(22) Filed: **May 31, 2011**

(30) **Foreign Application Priority Data**

Nov. 30, 2010 (DK) ..... 2010 00169

(51) **LOC (9) Cl.** ..... **12-05**

(52) **U.S. Cl.** ..... **D34/29**

(58) **Field of Classification Search** ..... D34/29,  
D34/28, 35; 198/624, 643; 193/35 R, 37;  
209/314, 399, 405, 332

See application file for complete search history.

(56) **References Cited**

**U.S. PATENT DOCUMENTS**

D139,042 S \* 10/1944 Pabst ..... D34/29  
3,454,162 A \* 7/1969 Cover ..... 209/269

4,840,728 A \* 6/1989 Connolly et al. .... 209/405  
4,842,076 A \* 6/1989 Welp ..... 171/124  
D333,544 S \* 2/1993 Uehara ..... D34/29  
5,571,404 A \* 11/1996 Derenthal ..... 210/97  
D418,656 S \* 1/2000 Andersson ..... D34/29  
D423,748 S \* 4/2000 Neuwirth et al. .... D34/29  
D580,123 S \* 11/2008 Ito et al. .... D34/29  
7,467,716 B2 \* 12/2008 Kraus ..... 209/405  
2003/0019714 A1 \* 1/2003 Shaw et al. .... 193/37  
2006/0037832 A1 \* 2/2006 Lawless et al. .... 193/35 R

\* cited by examiner

*Primary Examiner* — Cynthia Ramirez

(74) *Attorney, Agent, or Firm* — Roberts Mlotkowski Safran  
& Cole, P.C.

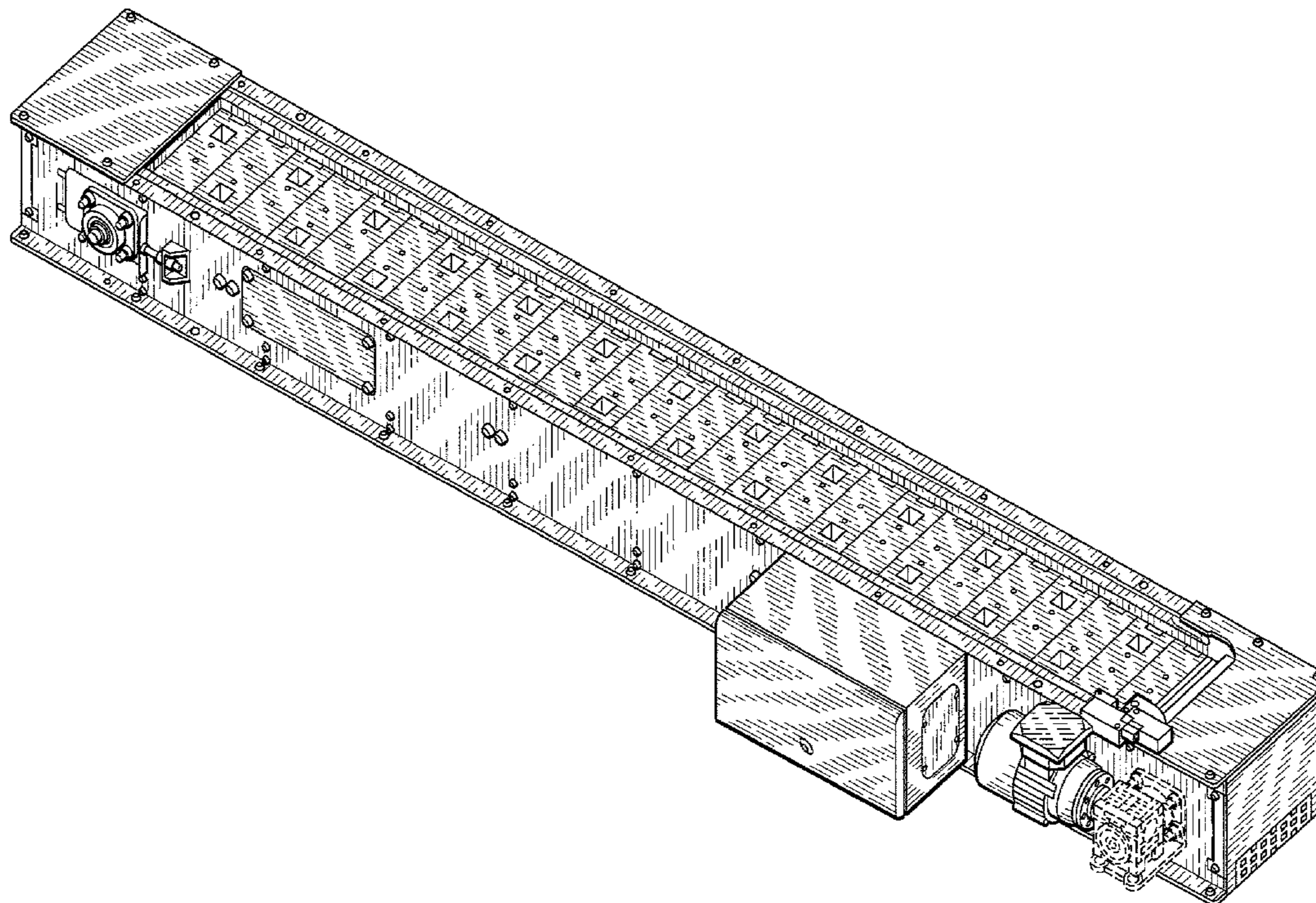
(57) **CLAIM**

The ornamental design for a conveyor for transporting pelt boards, as shown and described.

**DESCRIPTION**

FIG. 1 is a perspective view of our design as seen looking toward the right front corner, the portions of the design shown in broken lines form no part of the claimed design; and, FIG. 2 is a perspective view of my design as seen looking from below toward the left rear corner.

**1 Claim, 2 Drawing Sheets**



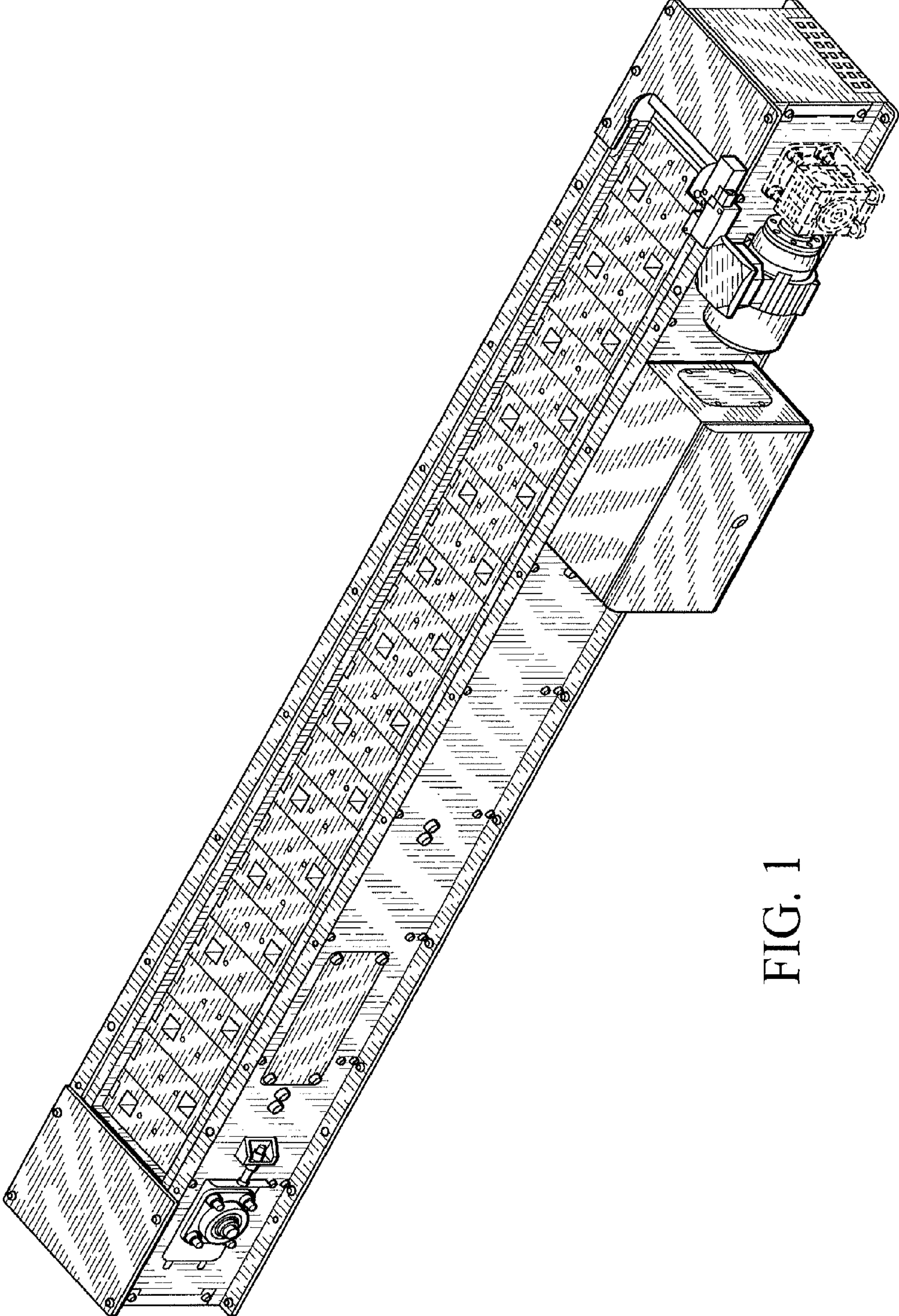


FIG. 1

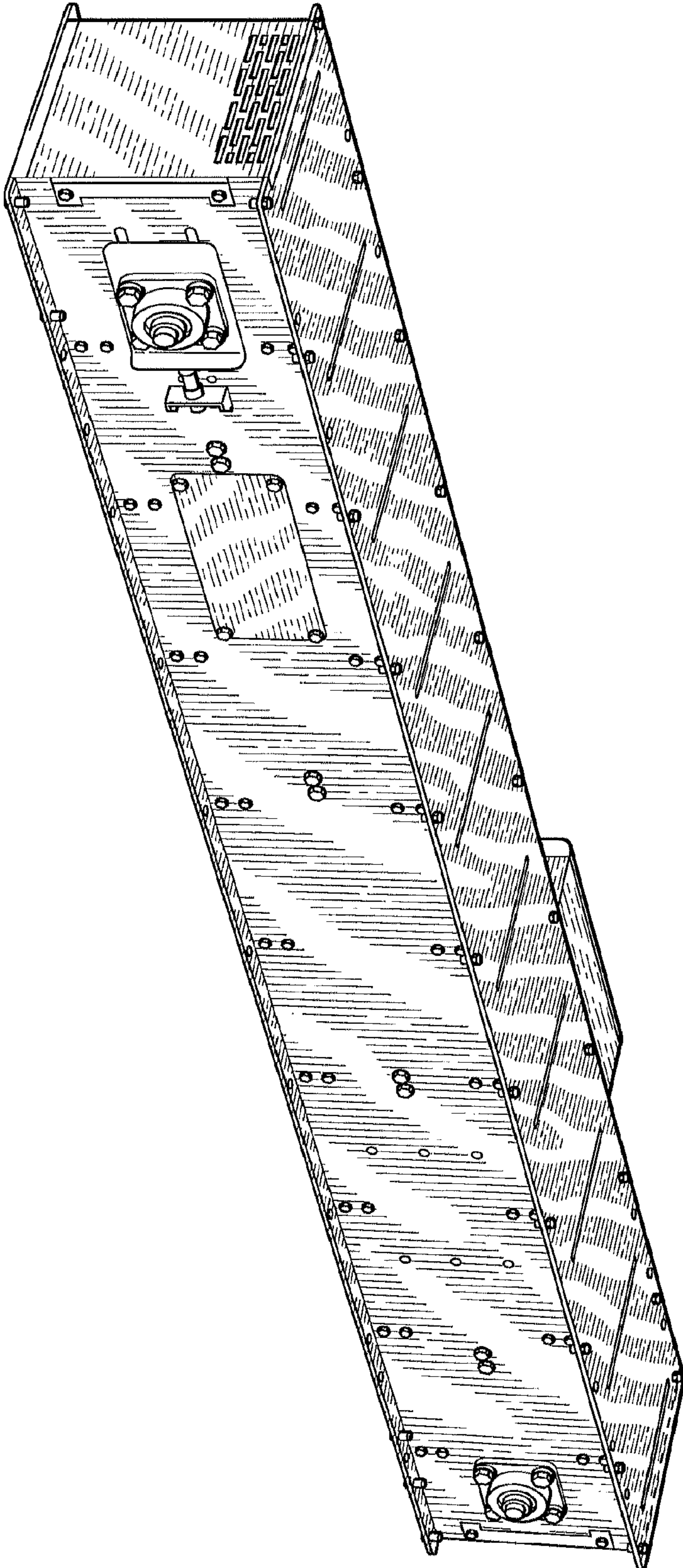


FIG. 2