



US00D665143S

(12) **United States Design Patent**
Davis

(10) **Patent No.:** **US D665,143 S**

(45) **Date of Patent:** **** Aug. 7, 2012**

(54) **INSULATED CONTAINER DOLLY ATTACHMENT**

6,974,140 B2 * 12/2005 Neuman 280/79.11
D566,374 S * 4/2008 Whiteside et al. D34/23
D641,125 S * 7/2011 McConnell D34/23

* cited by examiner

(75) Inventor: **James C. Davis**, Atlanta, GA (US)

Primary Examiner — Cynthia Ramirez

(73) Assignee: **Cool Works Cup, LLC**, Key Largo, FL (US)

(74) *Attorney, Agent, or Firm* — Thomas, Kayden, Horstemeyer & Risley, LLP

(**) Term: **14 Years**

(57) **CLAIM**

The ornamental design for an insulated container dolly attachment, as shown and described.

(21) Appl. No.: **29/382,011**

DESCRIPTION

(22) Filed: **Dec. 28, 2010**

(51) **LOC (9) Cl.** **12-02**

FIG. 1 is a perspective view of a first embodiment of the insulated container dolly attachment;

(52) **U.S. Cl.** **D34/27**

FIG. 2 is a front elevational view of the first embodiment of the insulated container dolly attachment;

(58) **Field of Classification Search** D34/27;

280/79.11, 79.2, 79.7, 32.5, 32.6, 402, 641;

414/483, 560

FIG. 3 is a rear elevational view of the first embodiment of the insulated container dolly attachment;

See application file for complete search history.

FIG. 4 is a side elevational view of the first embodiment of the insulated container dolly attachment;

(56) **References Cited**

U.S. PATENT DOCUMENTS

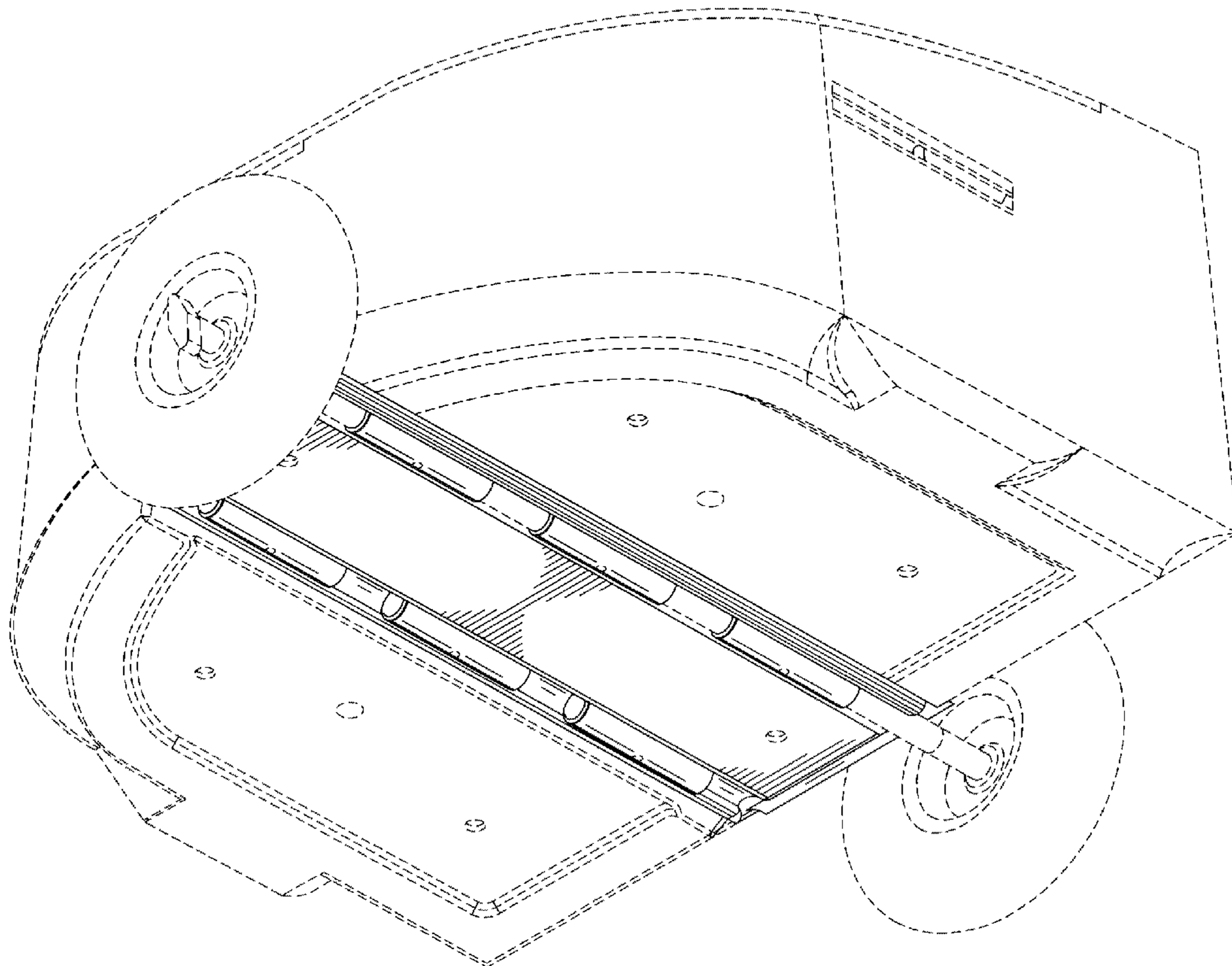
4,166,638 A * 9/1979 De Prado 280/638
D340,562 S * 10/1993 Kean et al. D34/23
D351,707 S * 10/1994 Pill D34/23
D398,728 S * 9/1998 Osborne, Jr. D34/28
D408,110 S * 4/1999 Sorensen D34/23
D506,588 S * 6/2005 Babkes et al. D34/27

FIG. 5 is a side elevational view of the first embodiment of the insulated container dolly attachment;

FIG. 6 is a top plan view of the first embodiment of the insulated container dolly attachment; and,

FIG. 7 is a bottom plan view of the first embodiment of the insulated container dolly attachment.

1 Claim, 3 Drawing Sheets



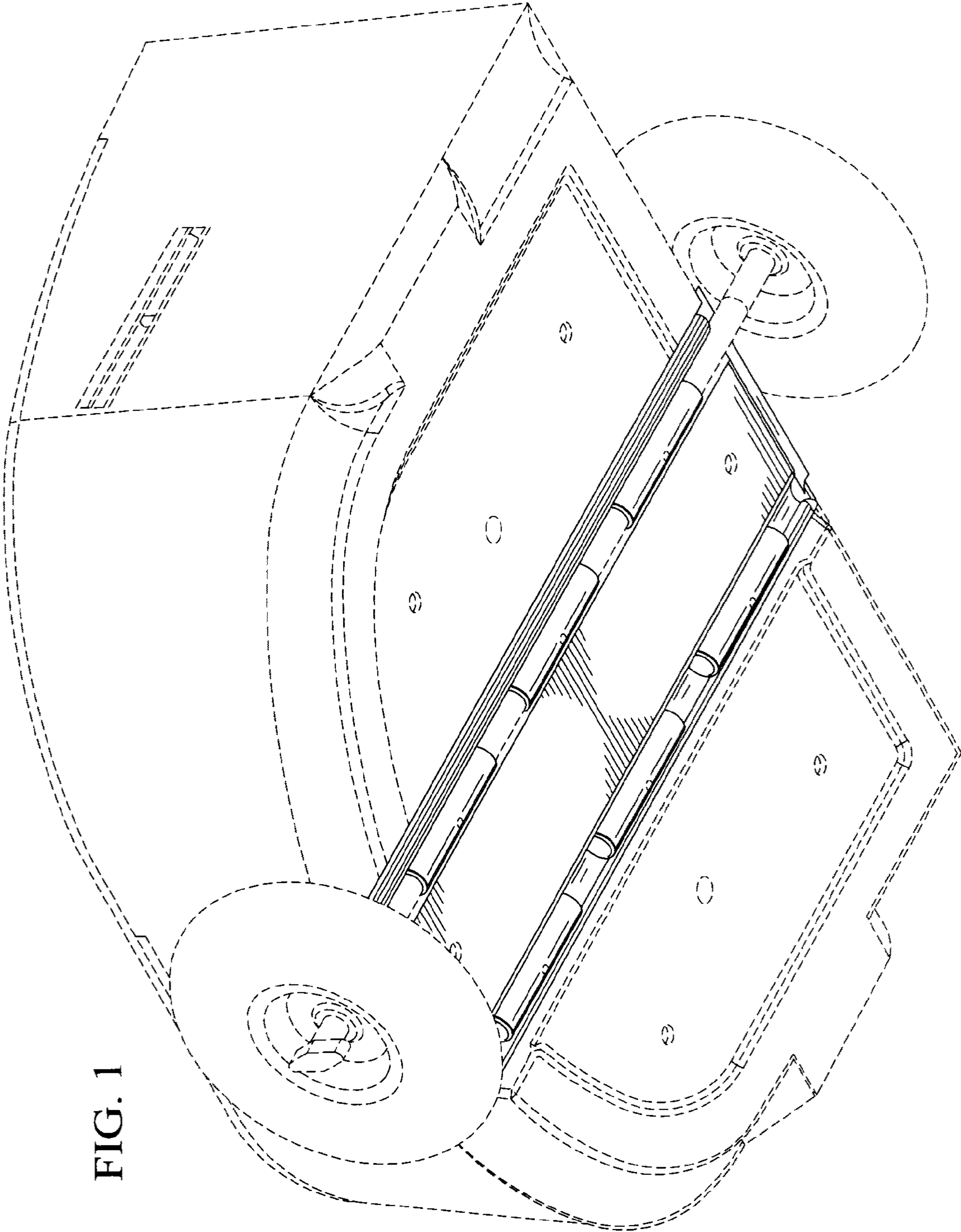


FIG. 1

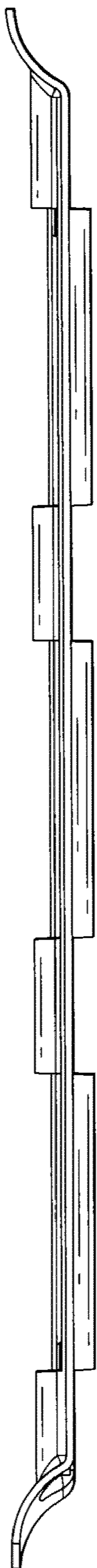


FIG. 2



FIG. 3

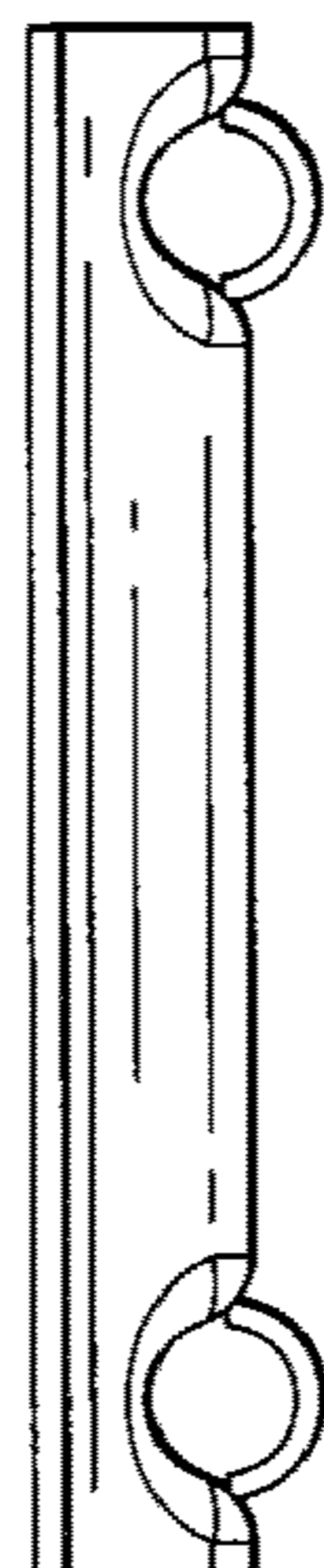


FIG. 4

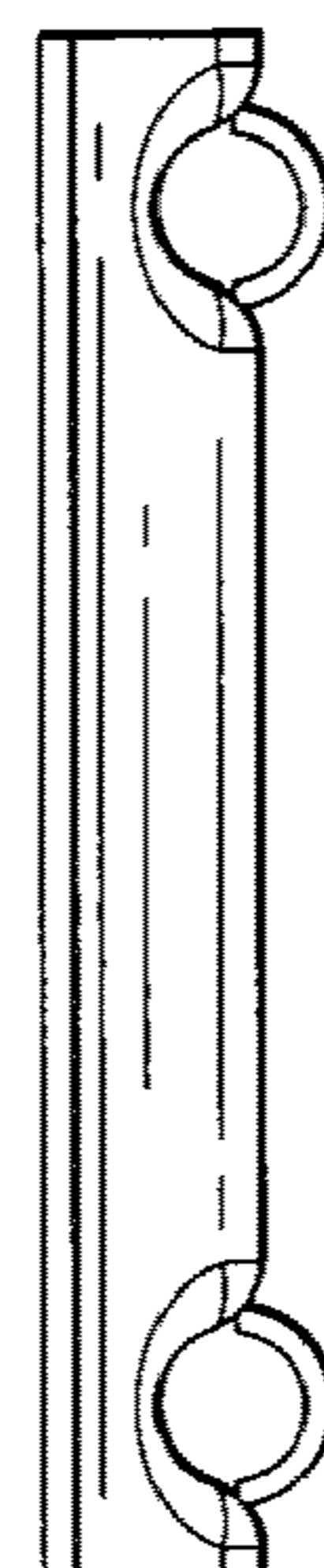


FIG. 5

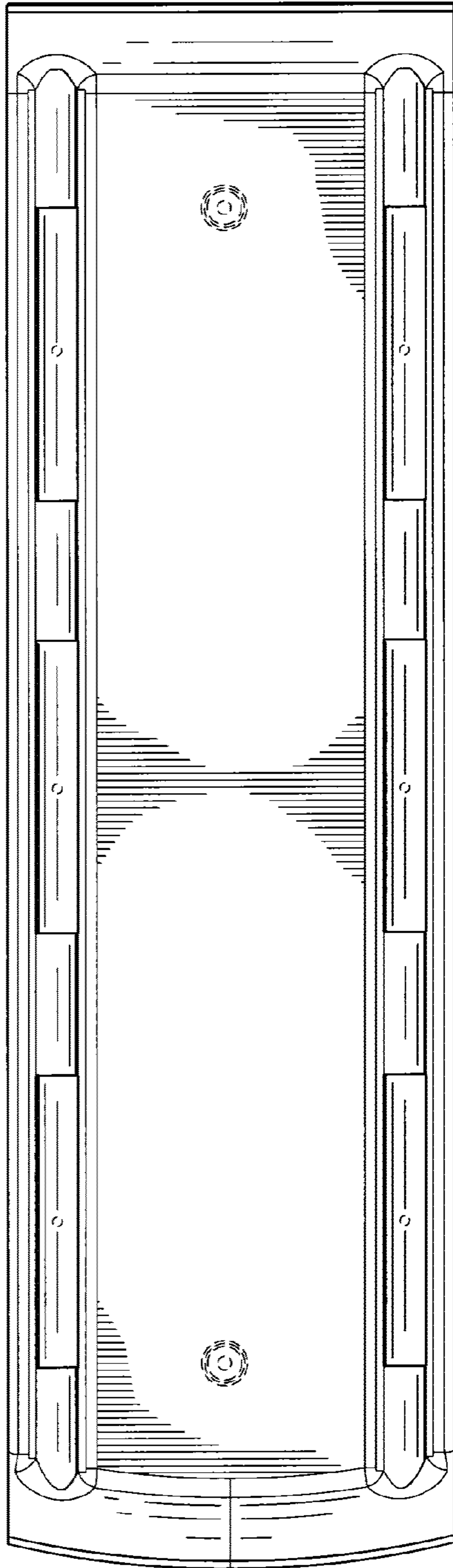


FIG. 6

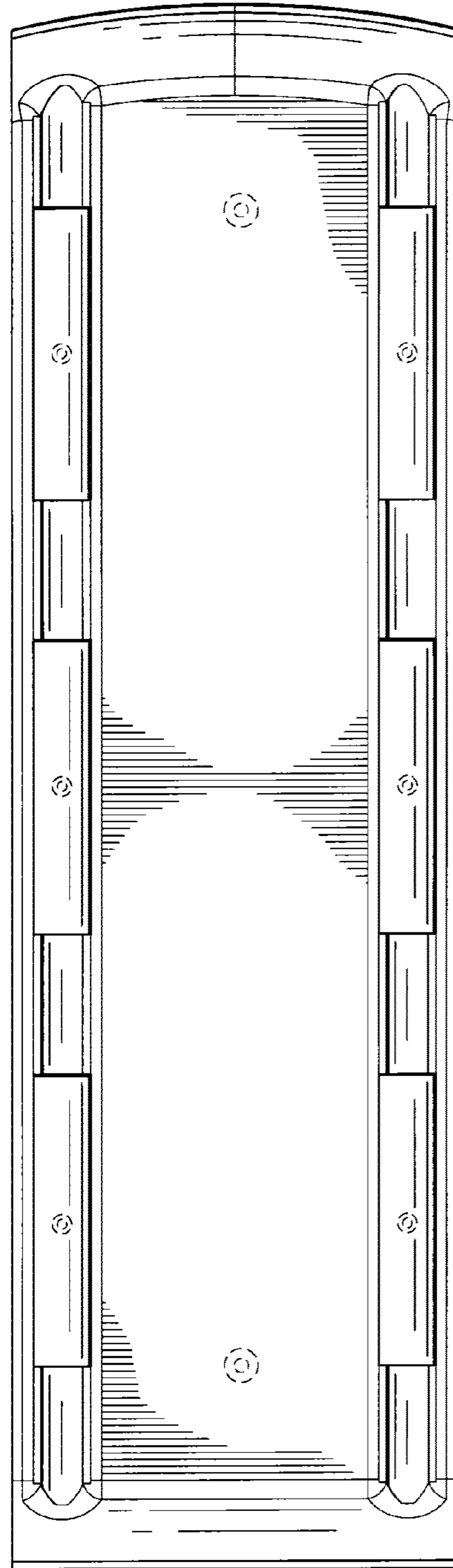


FIG. 7