



US00D665141S

(12) **United States Design Patent**
Cataldo

(10) **Patent No.:** **US D665,141 S**
(45) **Date of Patent:** **** Aug. 7, 2012**

- (54) **COMBINED TRASH AND RECYCLING BIN**
- (75) Inventor: **Joshua S. Cataldo**, Aventura, FL (US)
- (73) Assignee: **Joshua Cataldo**, Aventura, FL (US)
- (**) Term: **14 Years**
- (21) Appl. No.: **29/391,679**
- (22) Filed: **May 11, 2011**
- (51) **LOC (9) Cl.** **09-09**
- (52) **U.S. Cl.** **D34/7**
- (58) **Field of Classification Search** D34/1-11;
220/908, 908.1-913; D11/143, 155
See application file for complete search history.

(56) **References Cited**

U.S. PATENT DOCUMENTS

D185,674 S *	7/1959	Lumley	D34/1
D186,194 S *	9/1959	Beverlin	D34/1
D215,617 S *	10/1969	Hack	D34/8
D229,473 S *	12/1973	Henry	D34/1

(Continued)

Primary Examiner — Cynthia Ramirez

(74) *Attorney, Agent, or Firm* — Assouline & Berlowe, P.A.

(57) **CLAIM**

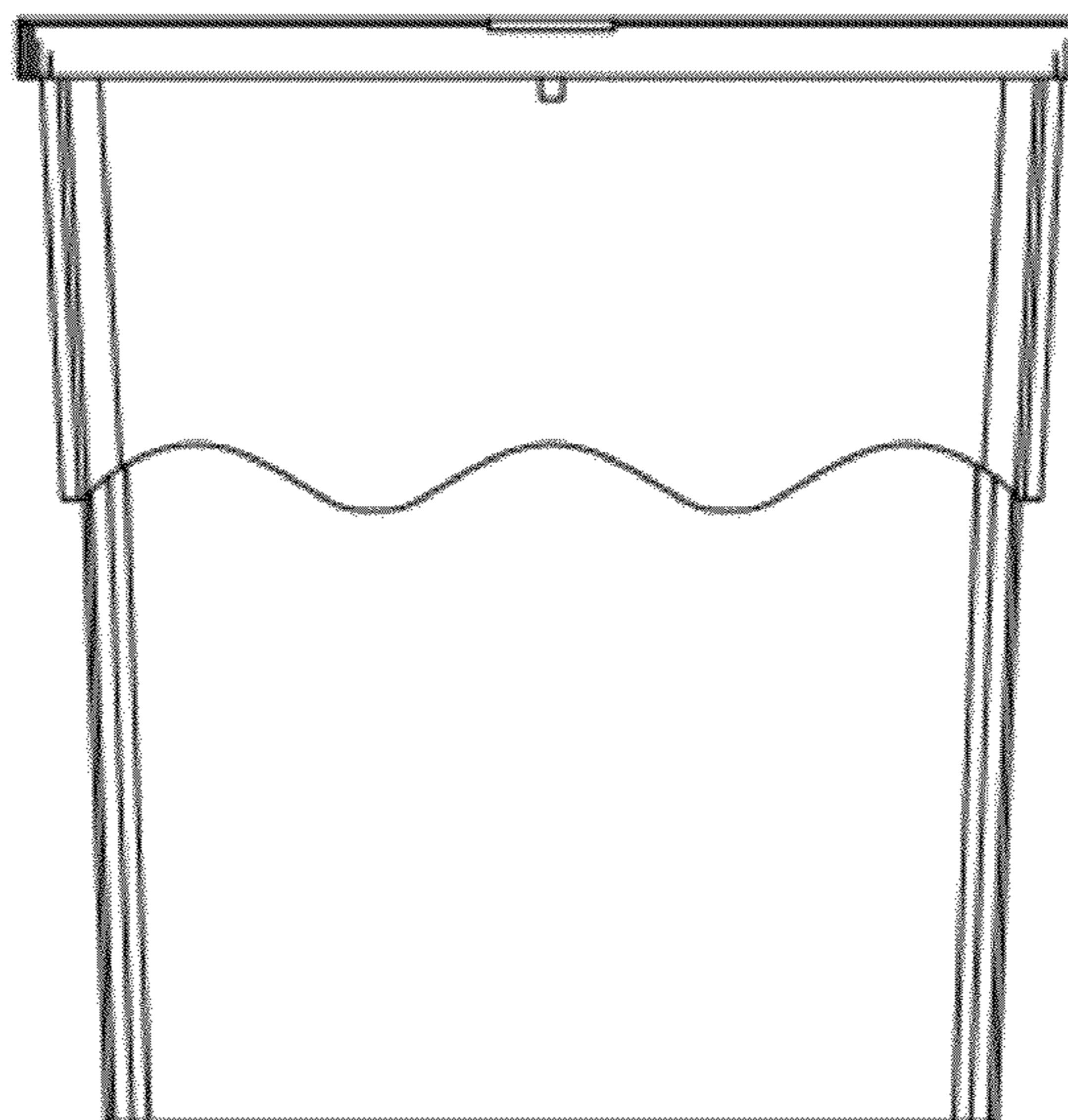
The ornamental design for a combined trash and recycling bin, as shown.

DESCRIPTION

FIG. 1 is a front view of the combined trash and recycling bin with its rim and lid attached and in the closed position.
 FIG. 2 is a rear view thereof.
 FIG. 3 is a front view thereof with the lid in an open position.

FIG. 4 is a rear view thereof with the lid a closed position.
 FIG. 5 is a left side view thereof.
 FIG. 6 is a left side view thereof with the lid in an open position.
 FIG. 7 is a top view thereof with the lid in a closed position with the front orientated towards the bottom of the page.
 FIG. 8 is a top view thereof with the lid in an open position.
 FIG. 9 is a perspective view thereof from above with the lid removed.
 FIG. 10 is a perspective view thereof from below with the lid removed.
 FIG. 11 is a front view thereof with the lid removed.
 FIG. 12 is a side view thereof with the lid removed.
 FIG. 13 is a perspective view of the rim from viewed below with the lid removed.
 FIG. 14 is a left side view of the rim with the lid in an open position.
 FIG. 15 is a side view of the rim with the lid in an open position.
 FIG. 16 is a front view of the rim with the lid in an open position.
 FIG. 17 is a front view of the rim with the lid in a closed position.
 FIG. 18 is a rear view of the rim with the lid in an open position.
 FIG. 19 is a rear view of the rim with the lid in a closed position; and,
 FIG. 20 is an exploded perspective view of a second embodiment of the combined trash and recycling bin showing the lid, rim, and container with the lid in a closed position; the second embodiment has a smooth top surface on the lid.
 The body of the bin, the rim and lid are shown separated in FIGS. 9 through 19 for convenience of illustration.
 The only difference between the first and second embodiment is the smooth surface on the lid, it being understood that all the other elements of the second embodiment are the same as the first embodiment.

1 Claim, 8 Drawing Sheets



US D665,141 S

Page 2

U.S. PATENT DOCUMENTS

4,856,675	A	*	8/1989	Palazzola	220/495.1							
4,867,339	A	*	9/1989	Hahn	220/495.1							
D304,022	S	*	10/1989	White	D11/155							
									* cited by examiner				
							D602,667	S	*	10/2009	Barbieri	D34/1
							D603,573	S	*	11/2009	Ghiorghie	D34/1
							D649,728	S	*	11/2011	Campbell	D34/1

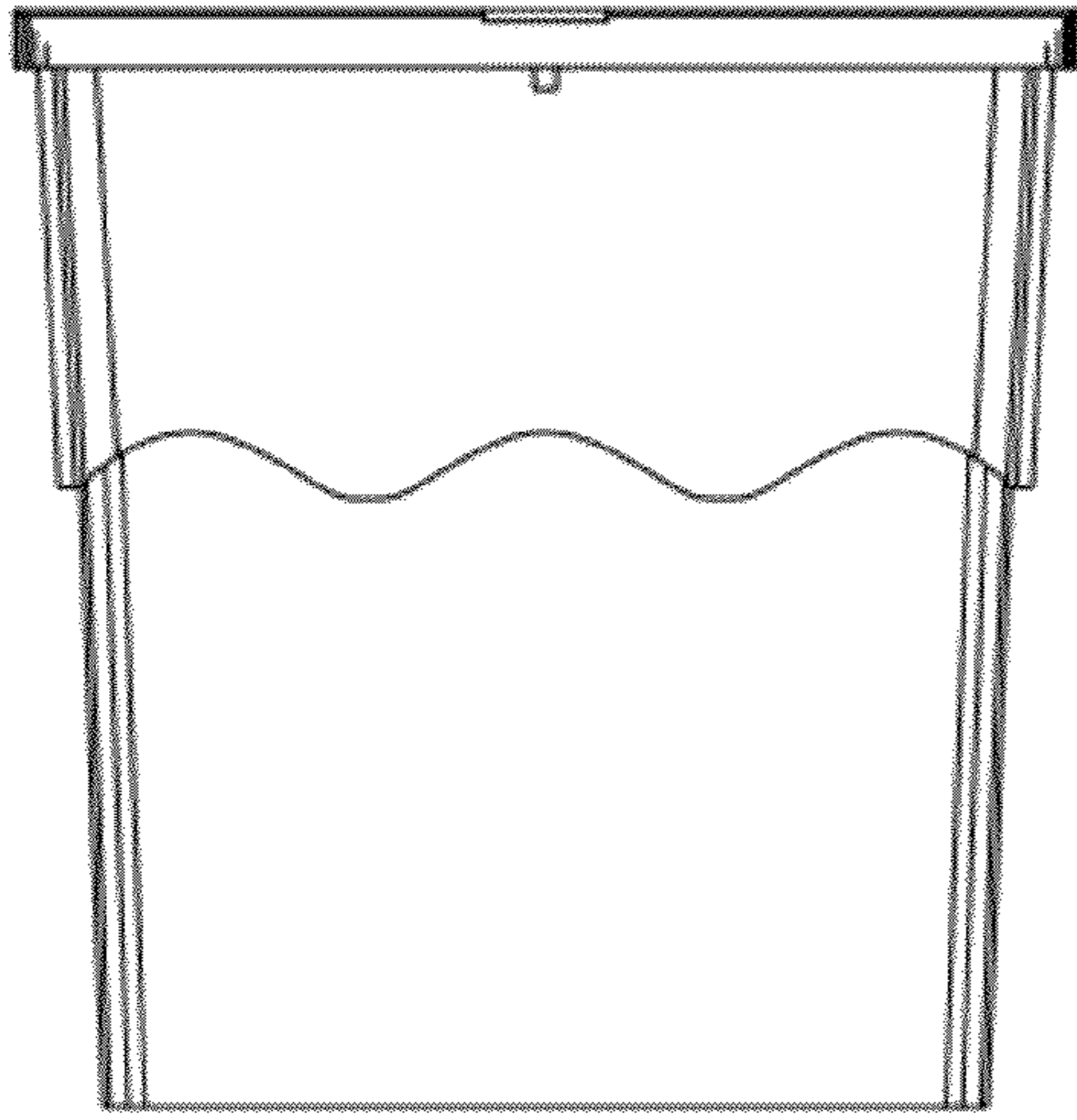


FIG. 1

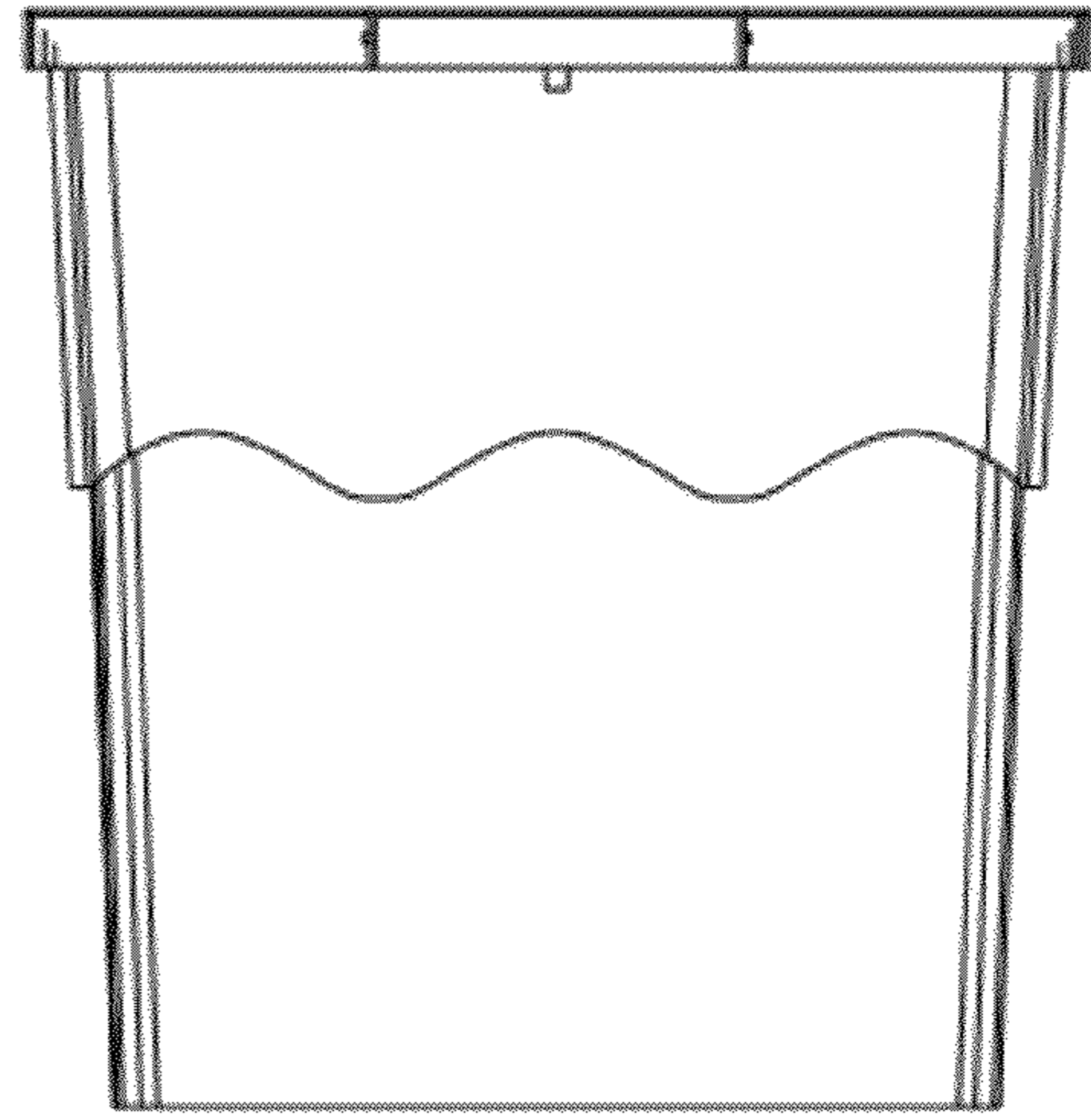


FIG. 2

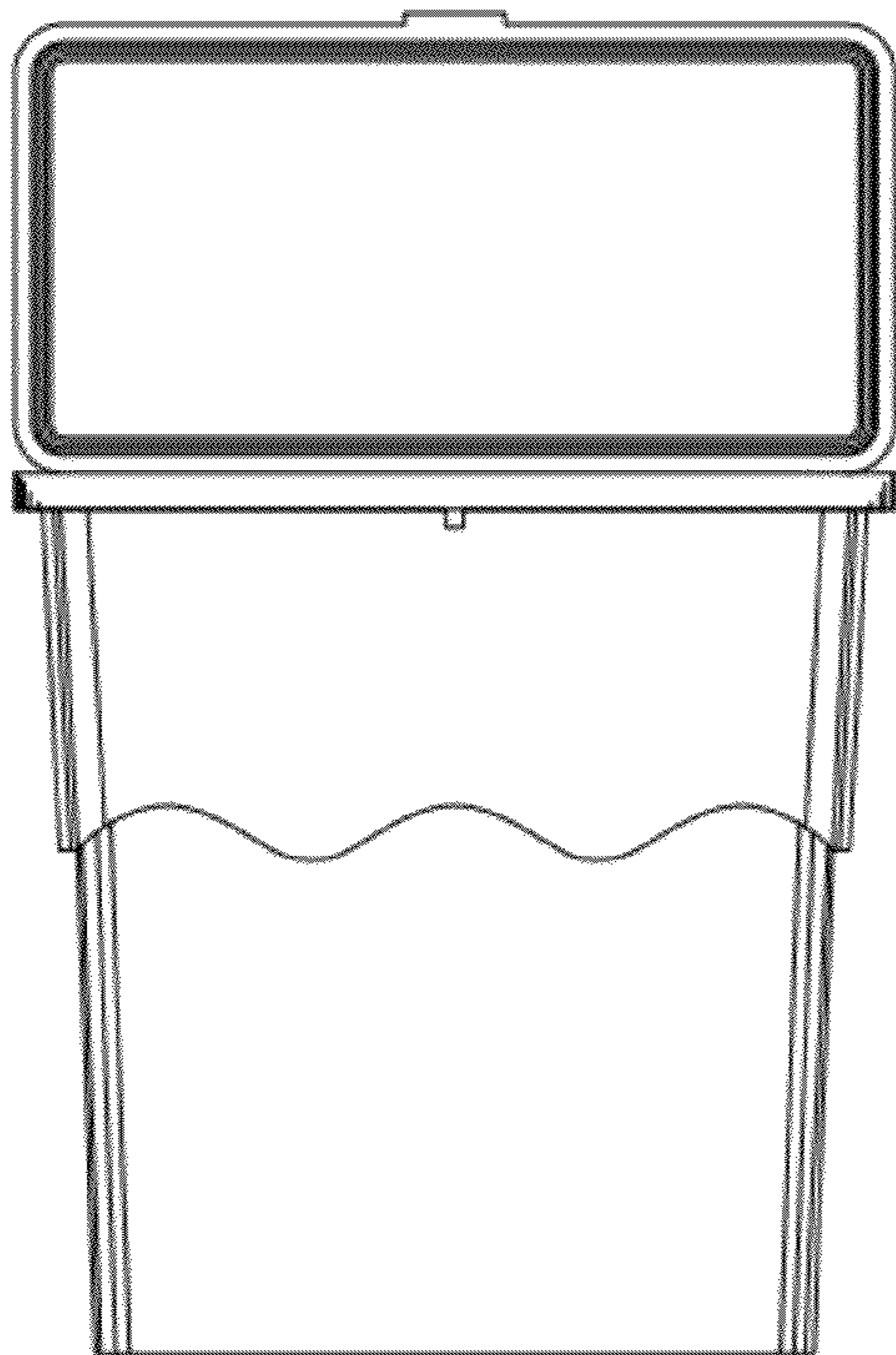


FIG. 3

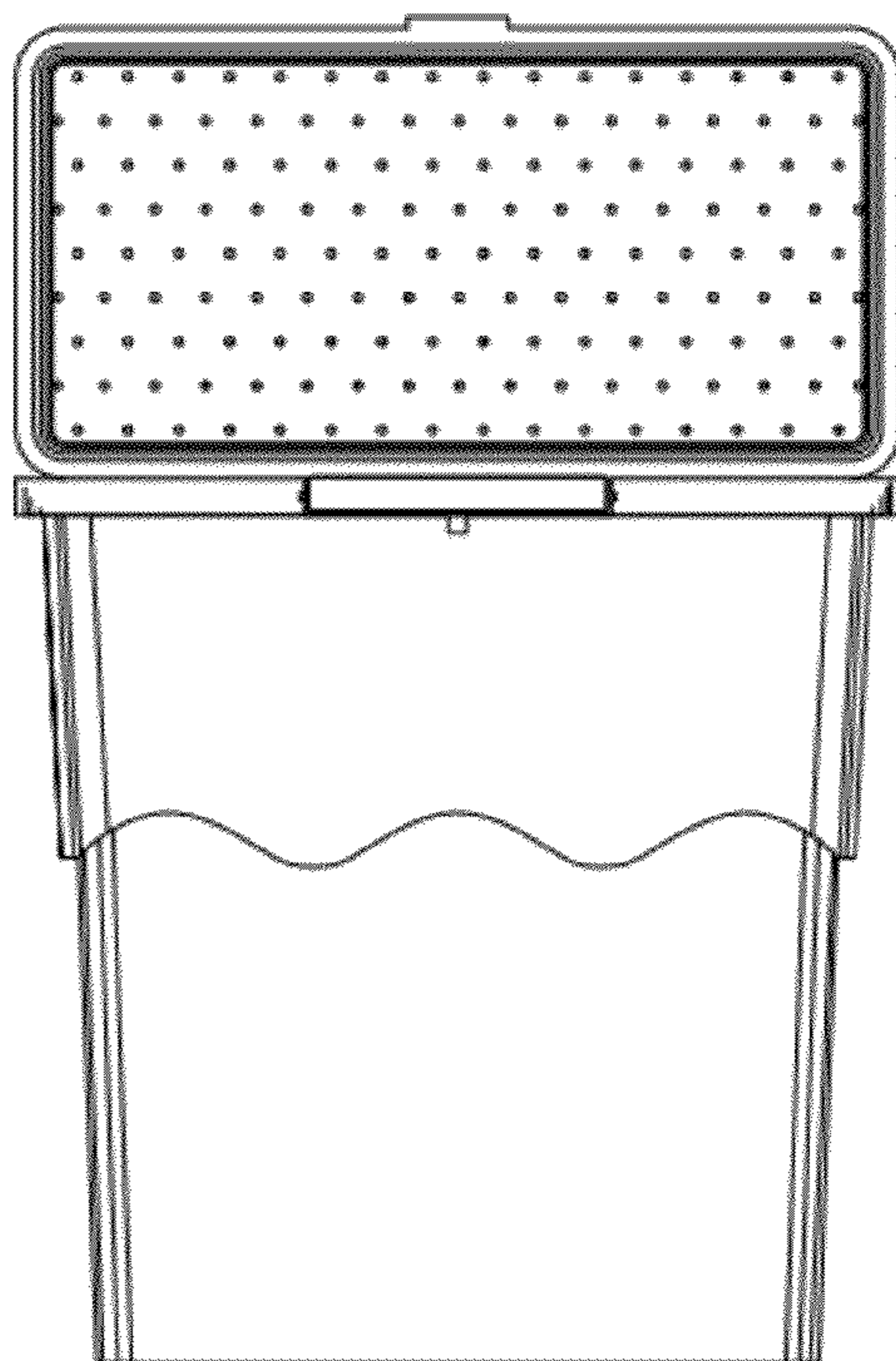


FIG. 4

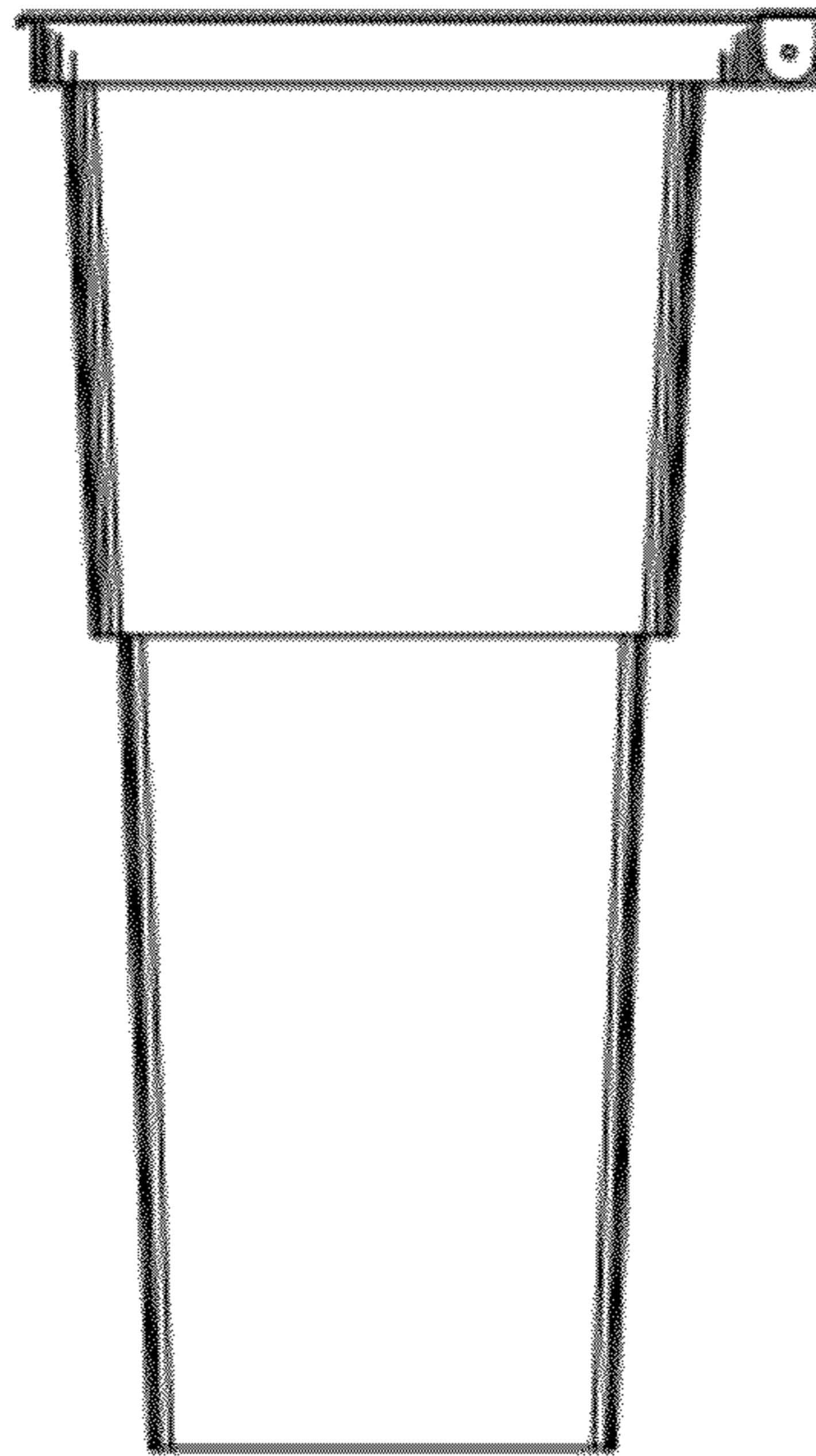


FIG. 5

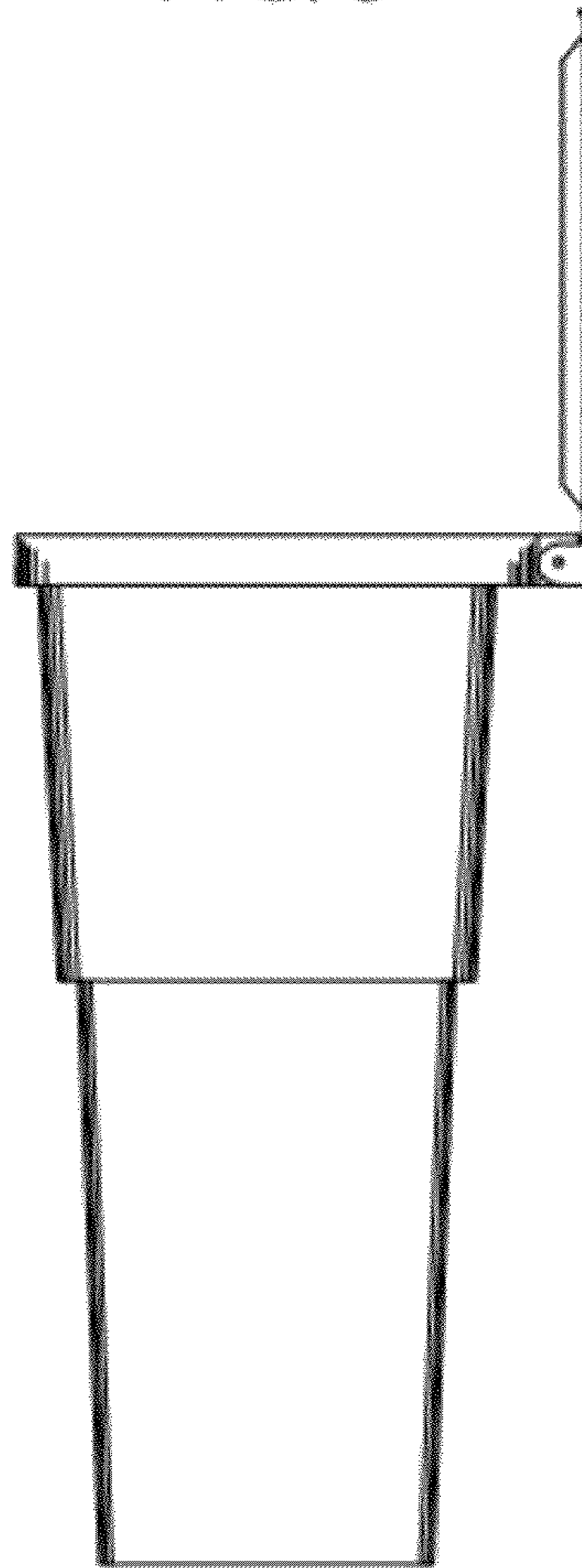


FIG. 6

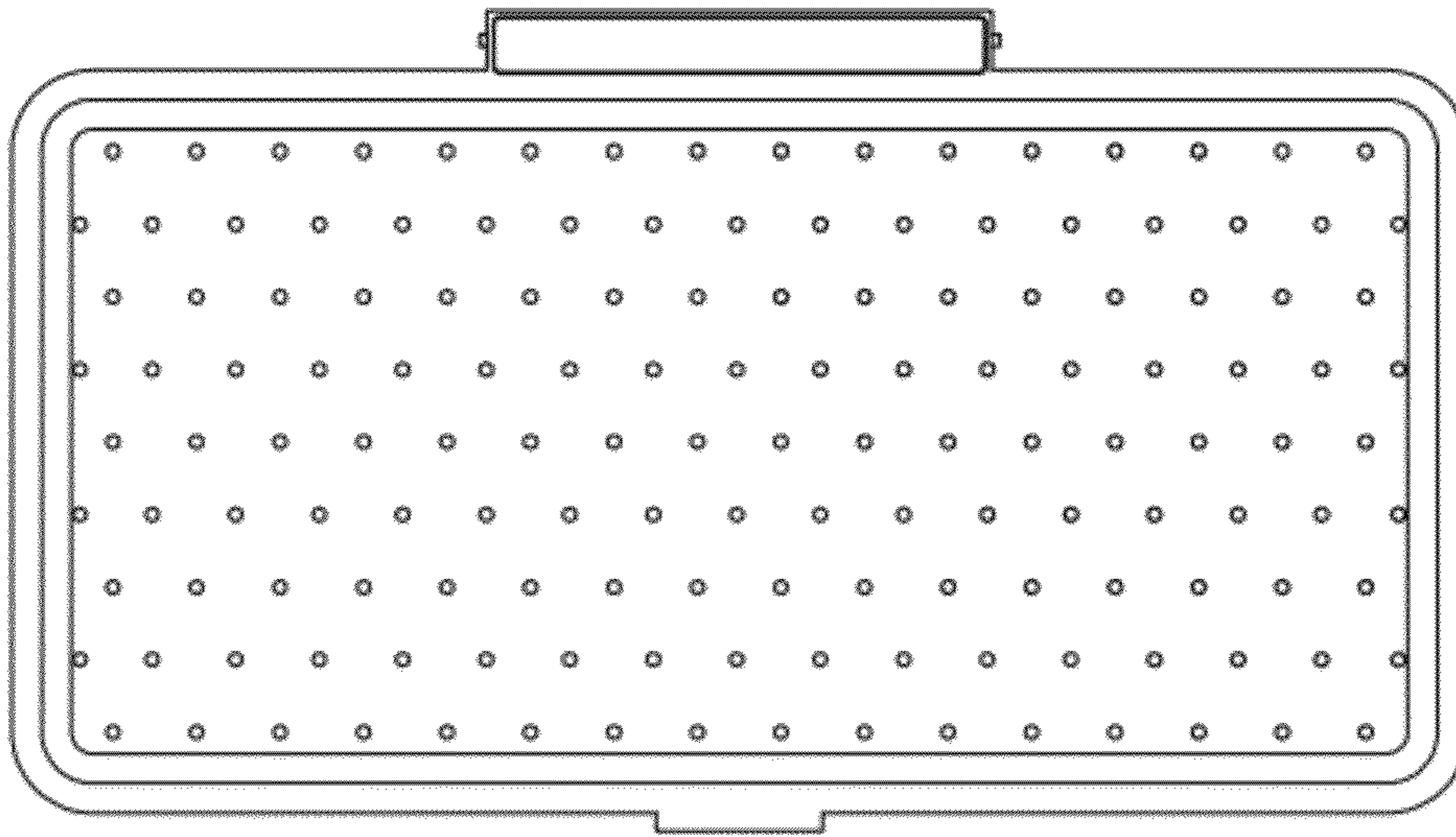


FIG. 7

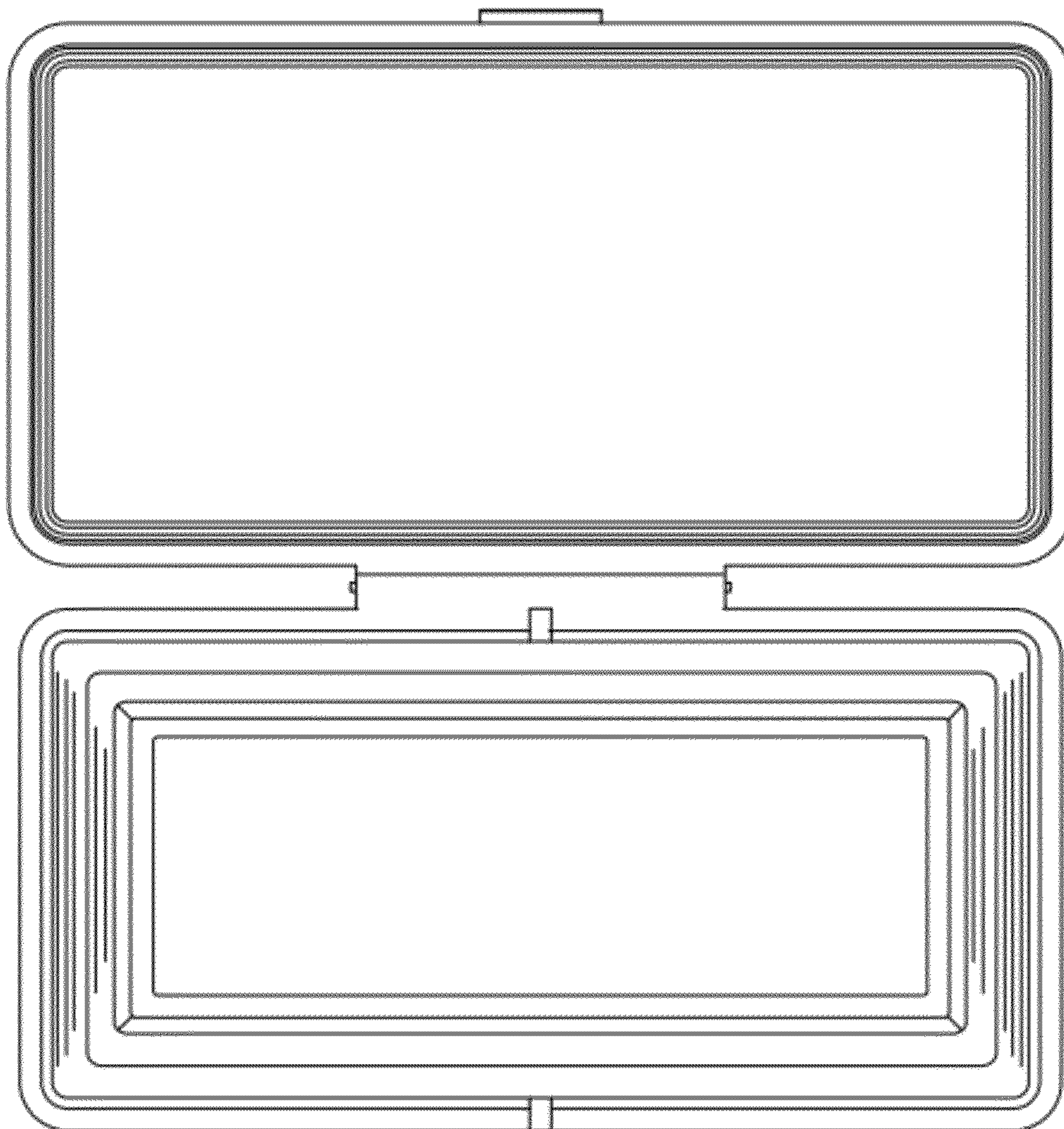


FIG. 8

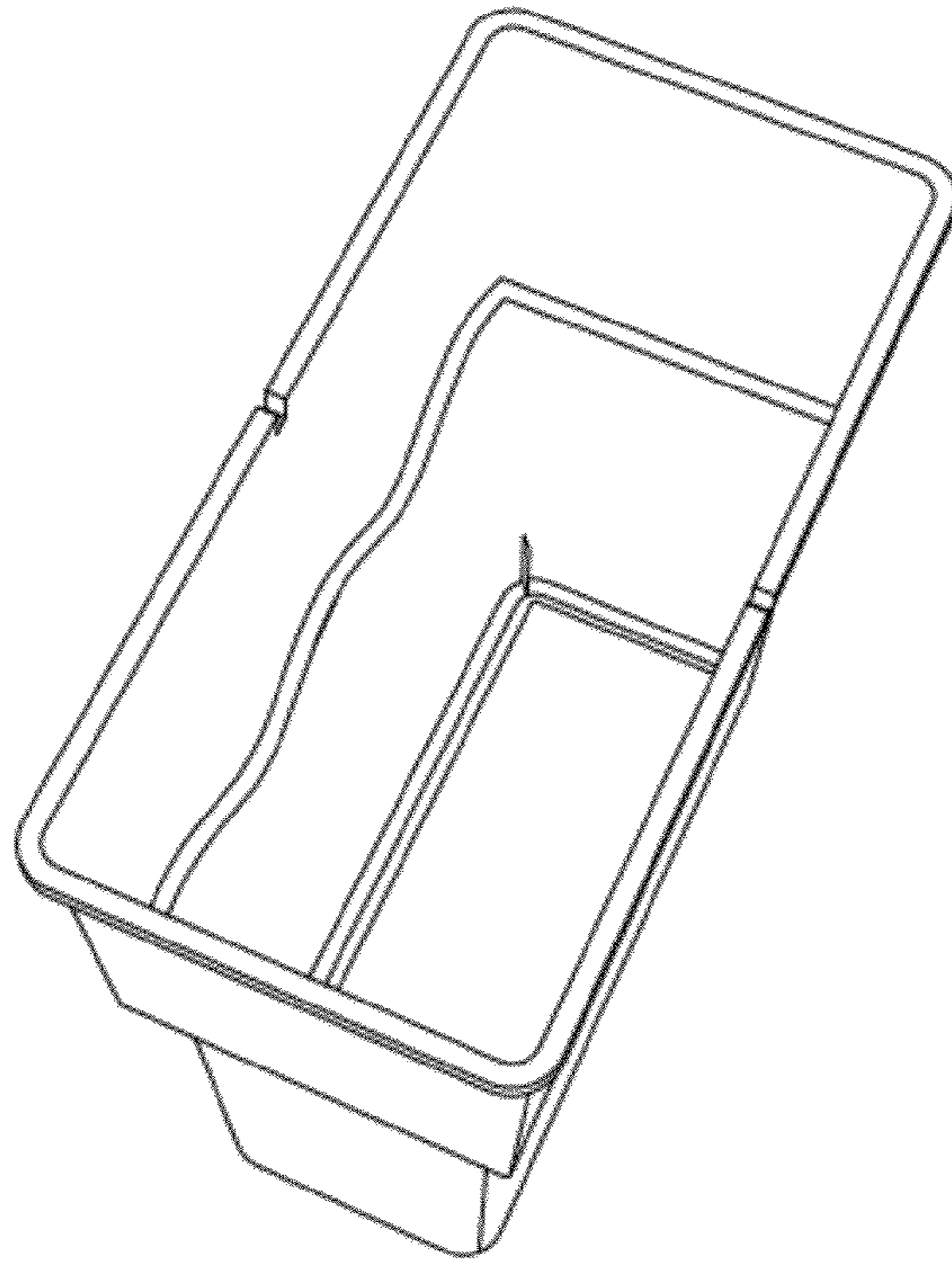


FIG. 9

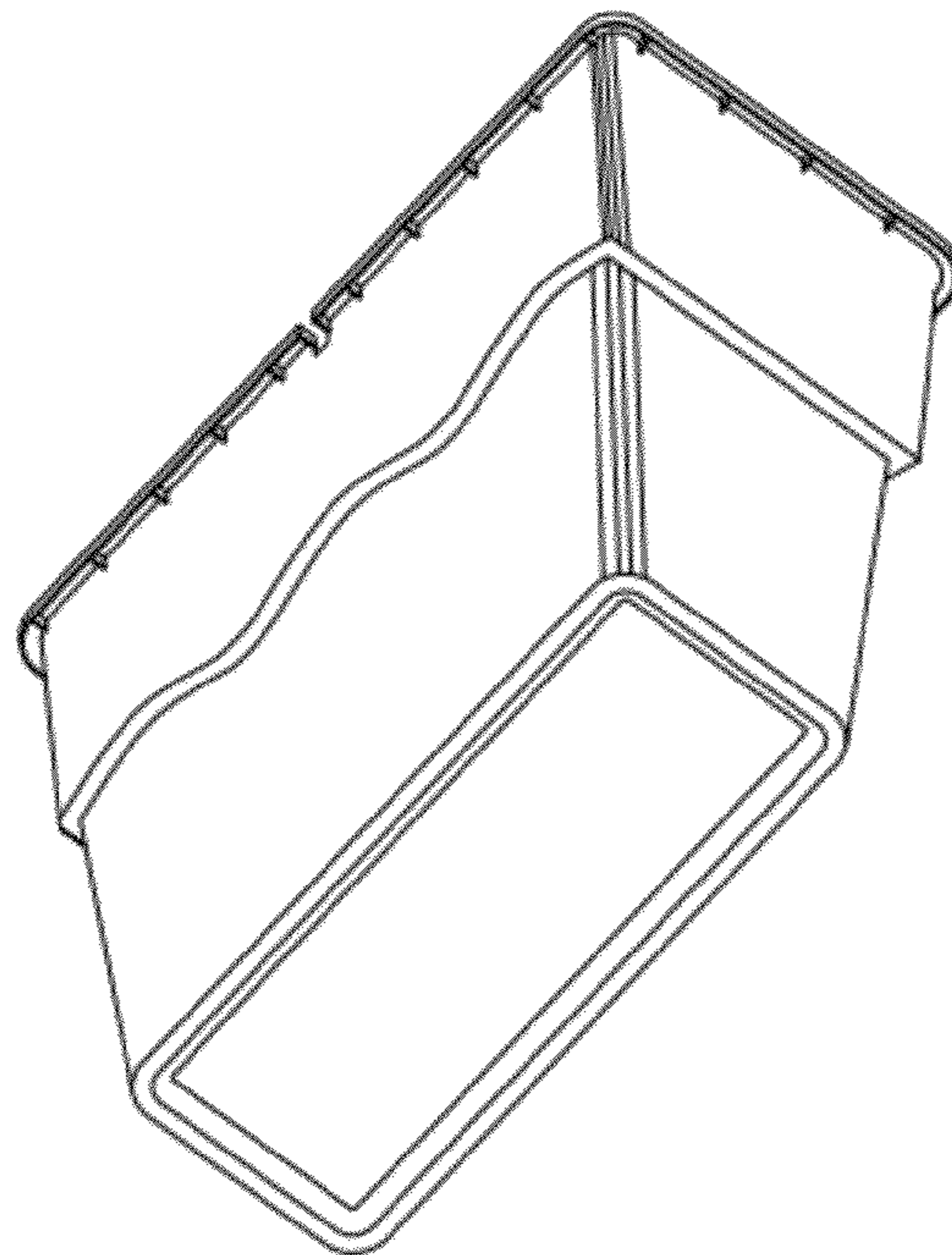


FIG. 10

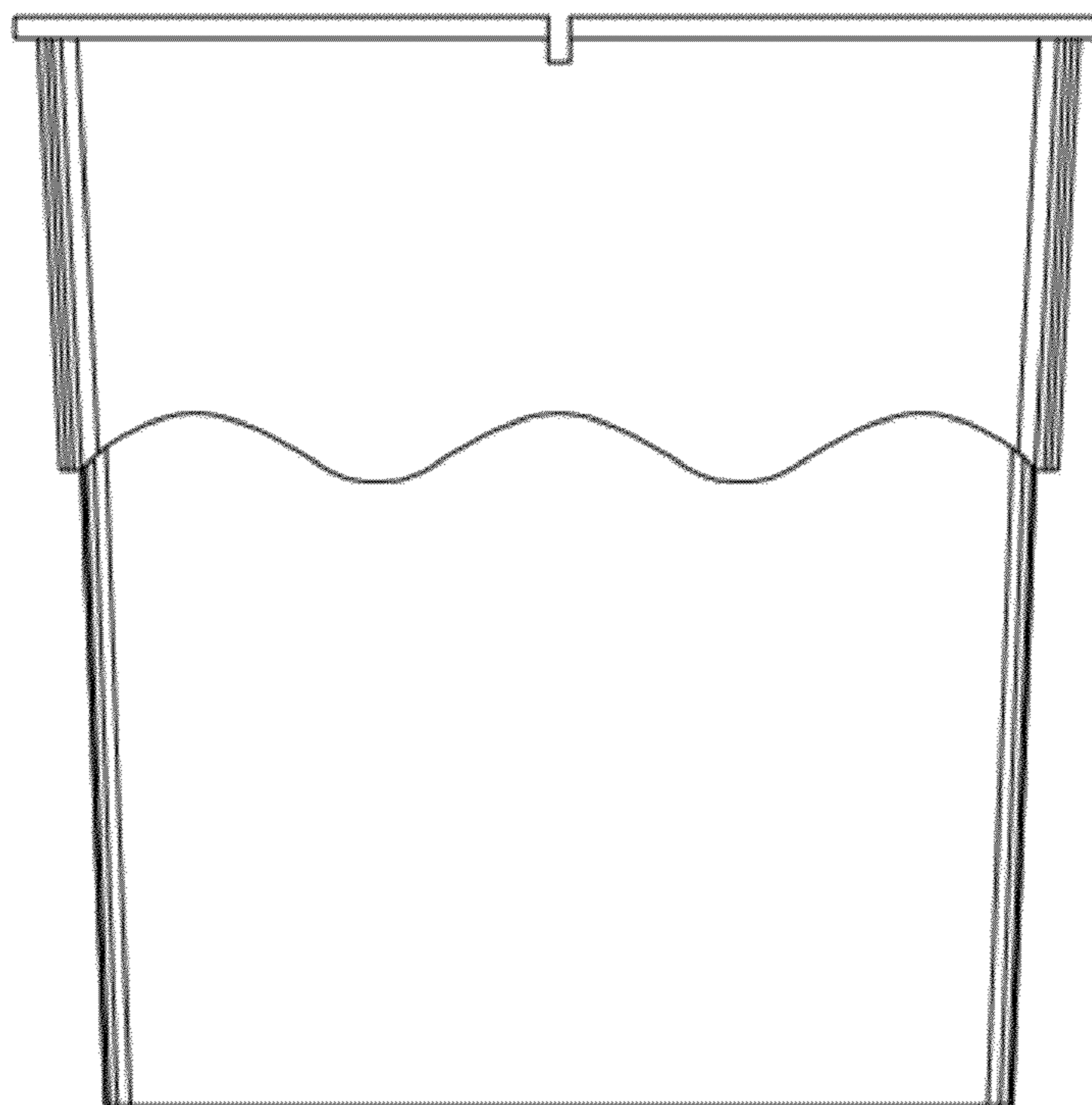


FIG. 11

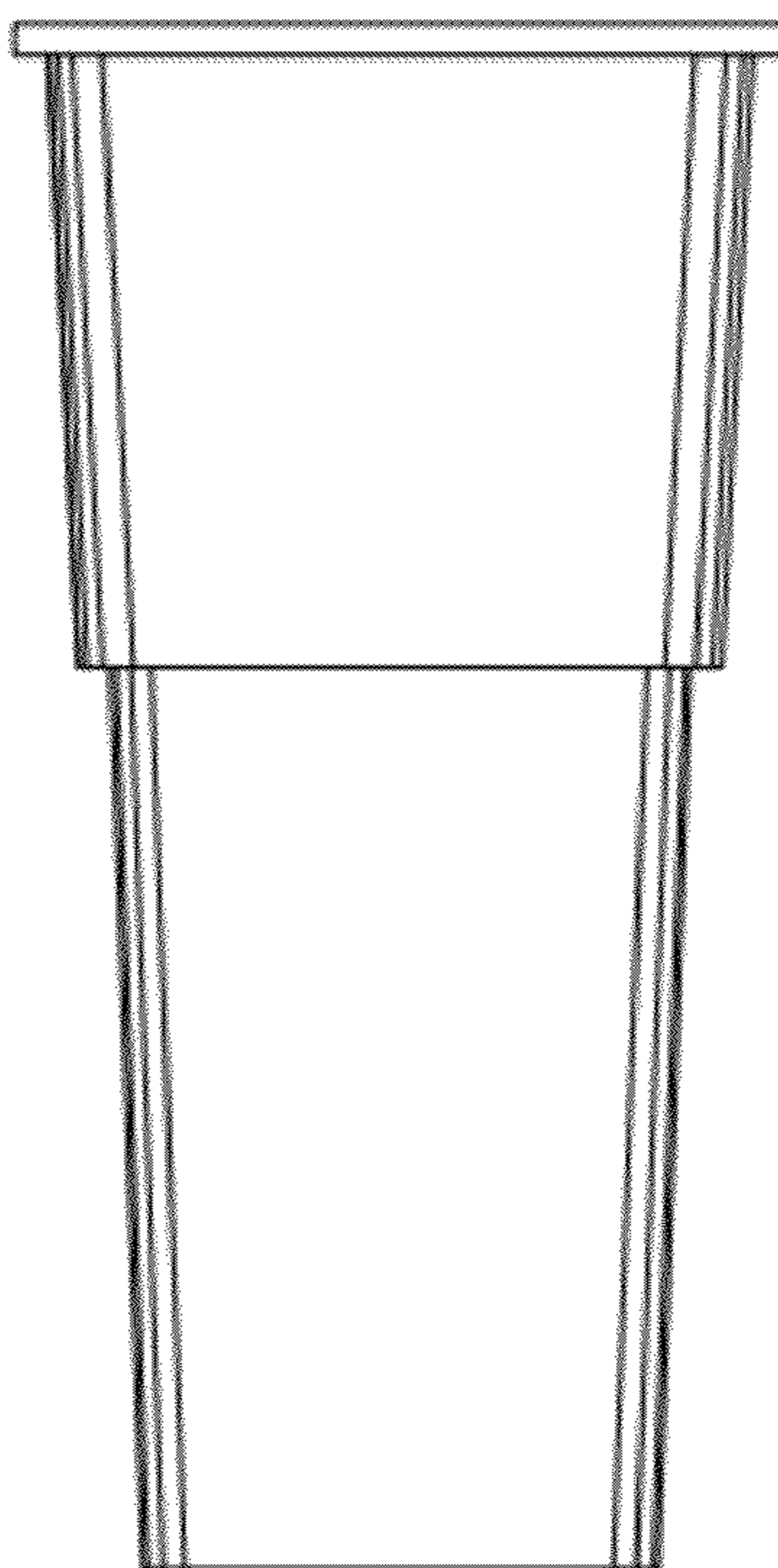


FIG. 12

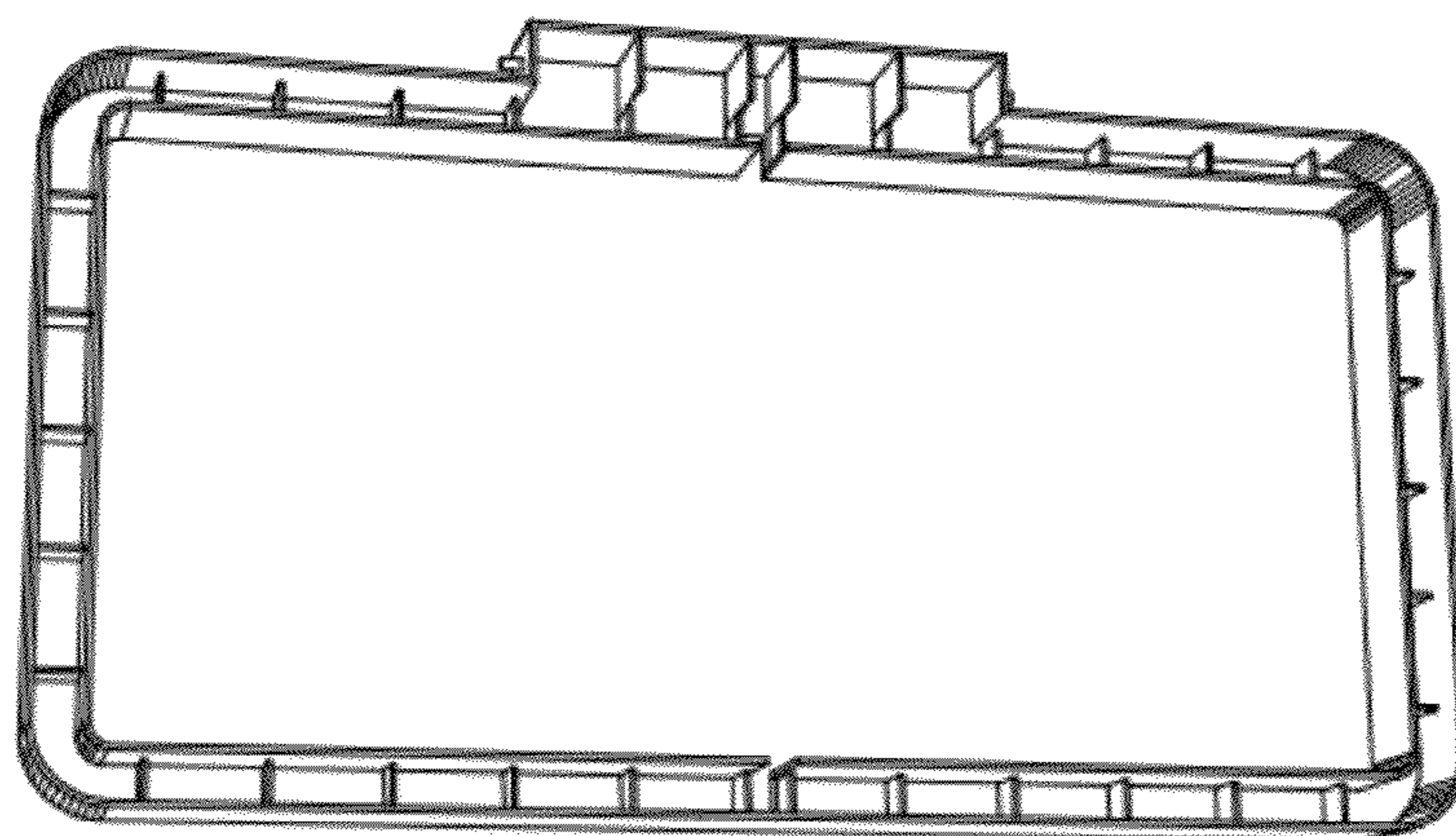


FIG. 13



FIG. 14

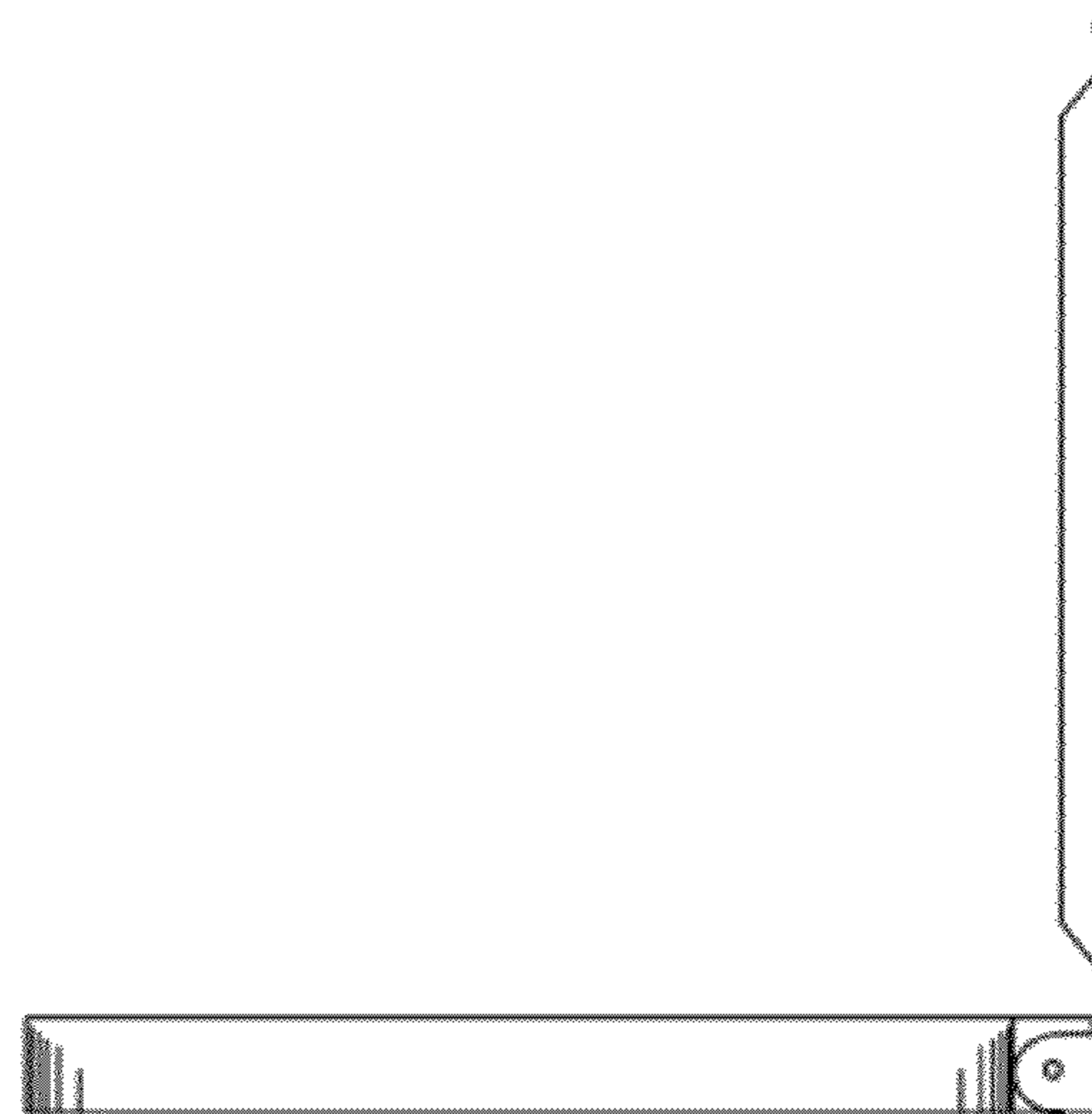


FIG. 15

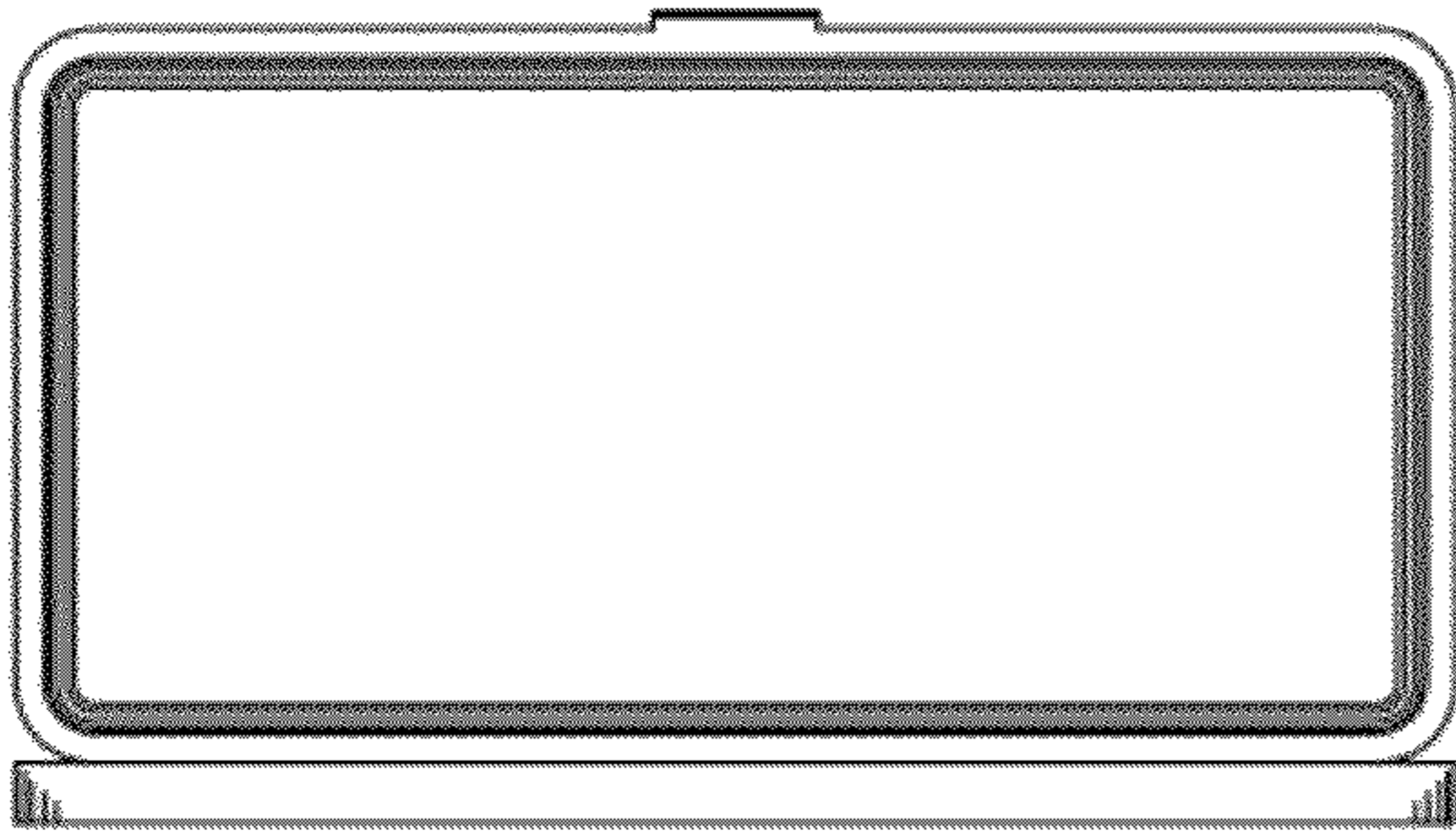


FIG. 16



FIG. 17

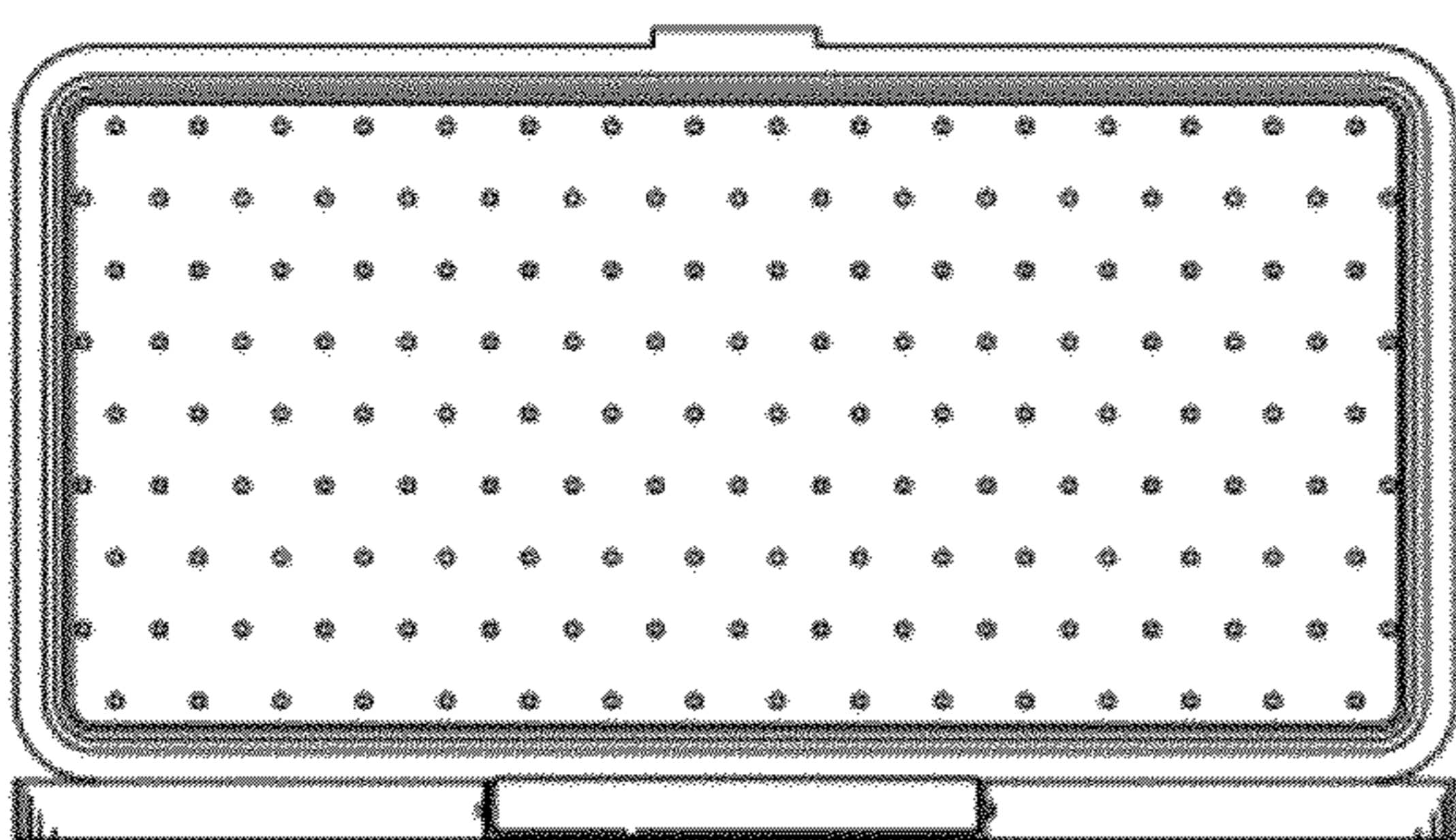


FIG. 18



FIG. 19

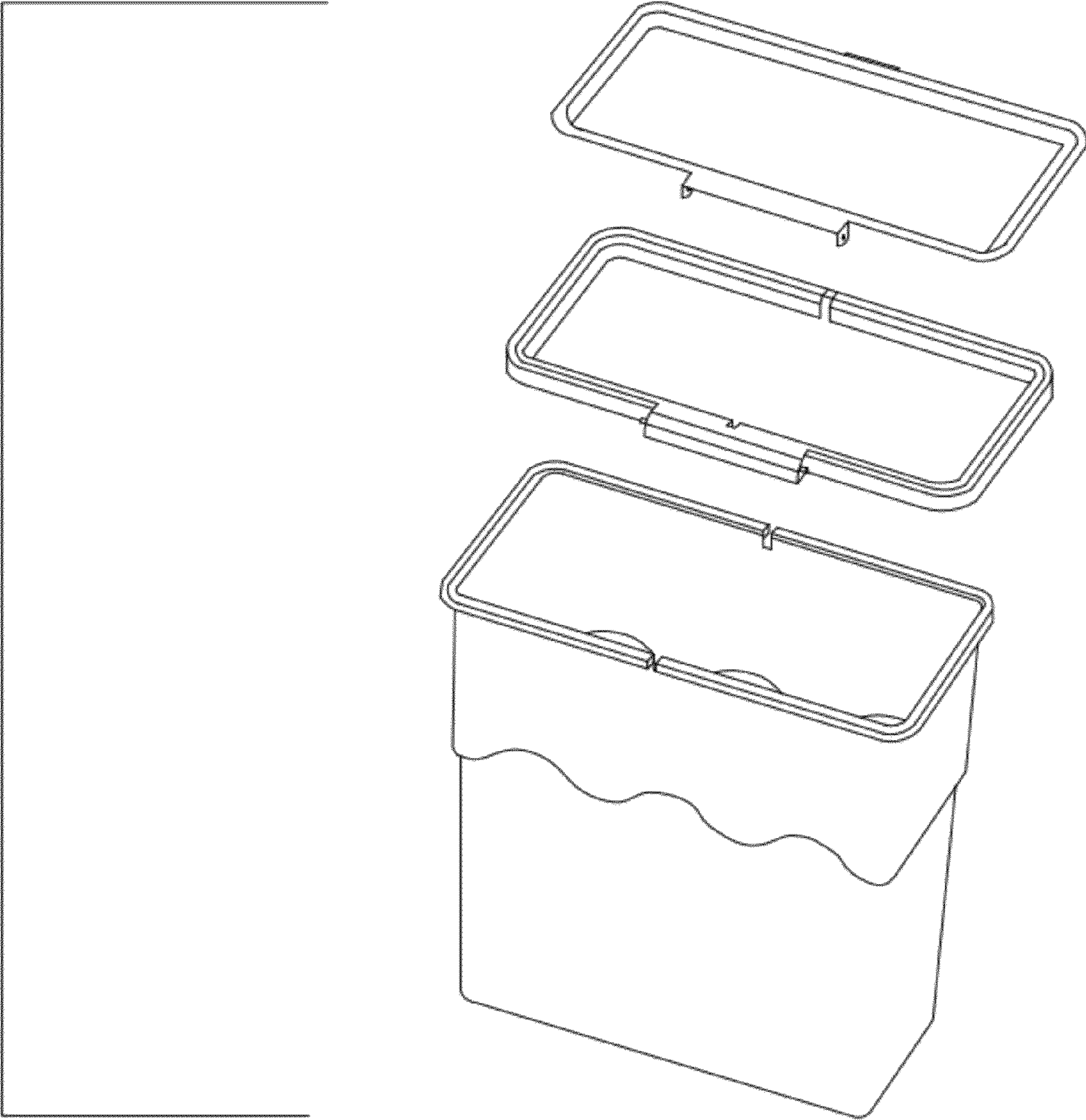


FIG. 20