



US00D665133S

(12) **United States Design Patent**
Haverstock

(10) **Patent No.:** **US D665,133 S**

(45) **Date of Patent:** **** Aug. 7, 2012**

(54) **PET FOOD HOLDER**

(76) **Inventor:** **Linda Haverstock, Dillsburg, PA (US)**

(**) **Term:** **14 Years**

(21) **Appl. No.:** **29/374,427**

(22) **Filed:** **Aug. 11, 2011**

(51) **LOC (9) Cl.** **30-03**

(52) **U.S. Cl.** **D30/129**

(58) **Field of Classification Search** D30/121,
D30/122, 129-133; 119/61.5, 51.01, 61.56,
119/51.03, 59, 62, 63, 51.5, 57.8, 74, 61.54,
119/61.55, 61; 312/204; 248/151, 188; 108/156,
108/153.1-157; 220/23.87, 630, 737, 743,
220/9.4, 495.01, 574, 212, 255, 23.83, 575;
206/515; D7/586, 543, 550.1, 587, 505,
D7/584, 545, 500, 553.1-553.8, 546, 555,
D7/556, 504, 565, 562, 602, 507, 549, 558,
D7/552.2, 560, 566, 548, 681, 689, 691;
D9/429; 43/109; D22/122; 99/430, DIG. 15
See application file for complete search history.

(56) **References Cited**

U.S. PATENT DOCUMENTS

1,768,771	A *	7/1930	La Tourrette	141/380
D244,948	S *	7/1977	Foley et al.	D30/130
D256,311	S *	8/1980	Daenen	D10/46.3
D275,063	S *	8/1984	Greene	D10/46.2
D277,684	S *	2/1985	Miller et al.	D21/469
D304,537	S *	11/1989	McCarroll	D10/46.2
D319,374	S *	8/1991	Johannsen	D7/689
D321,114	S *	10/1991	Fredrickson et al.	D7/681
D333,596	S *	3/1993	Husted	D7/691
D339,722	S *	9/1993	Ancona et al.	D7/698
D360,304	S *	7/1995	Fachinger	D6/304
D387,957	S *	12/1997	Keller et al.	D7/691

D404,263	S *	1/1999	Allison	D7/689
D414,087	S *	9/1999	Allison	D7/689
6,318,291	B1 *	11/2001	Wolanski	119/61.5
6,341,578	B1 *	1/2002	Berube	119/162
D457,699	S *	5/2002	Raimonde et al.	D32/46
D467,393	S *	12/2002	Warden	D30/155
D473,769	S *	4/2003	Kelleghan	D8/38
6,581,541	B2 *	6/2003	Hollinger	119/61.54
D484,425	S *	12/2003	Settele	D10/46.3
D504,223	S *	4/2005	Tamburri	D3/211
D506,585	S *	6/2005	Muller et al.	D32/32
D531,364	S *	10/2006	Crane	D30/118
D531,918	S *	11/2006	Heiligenstein et al.	D10/46.2
D550,407	S *	9/2007	Spiwak	D30/129
D553,305	S *	10/2007	Willinger et al.	D30/133
D558,933	S *	1/2008	Hood et al.	D30/158
D560,862	S *	1/2008	Knuth et al.	D30/155
D571,929	S *	6/2008	Palmer, III	D25/2
7,387,082	B1 *	6/2008	Fried	119/61.5
D572,141	S *	7/2008	Slabaugh	D9/601
D581,830	S *	12/2008	Slabaugh	D11/127

(Continued)

Primary Examiner — Susan Moon Lee

(74) *Attorney, Agent, or Firm* — Andrew D. Mead

(57) **CLAIM**

The ornamental design for a pet food holder, as shown and described.

DESCRIPTION

FIG. 1 is a top perspective view of a pet food holder showing my new design.

FIG. 2 is a side view of the design shown in FIG. 1.

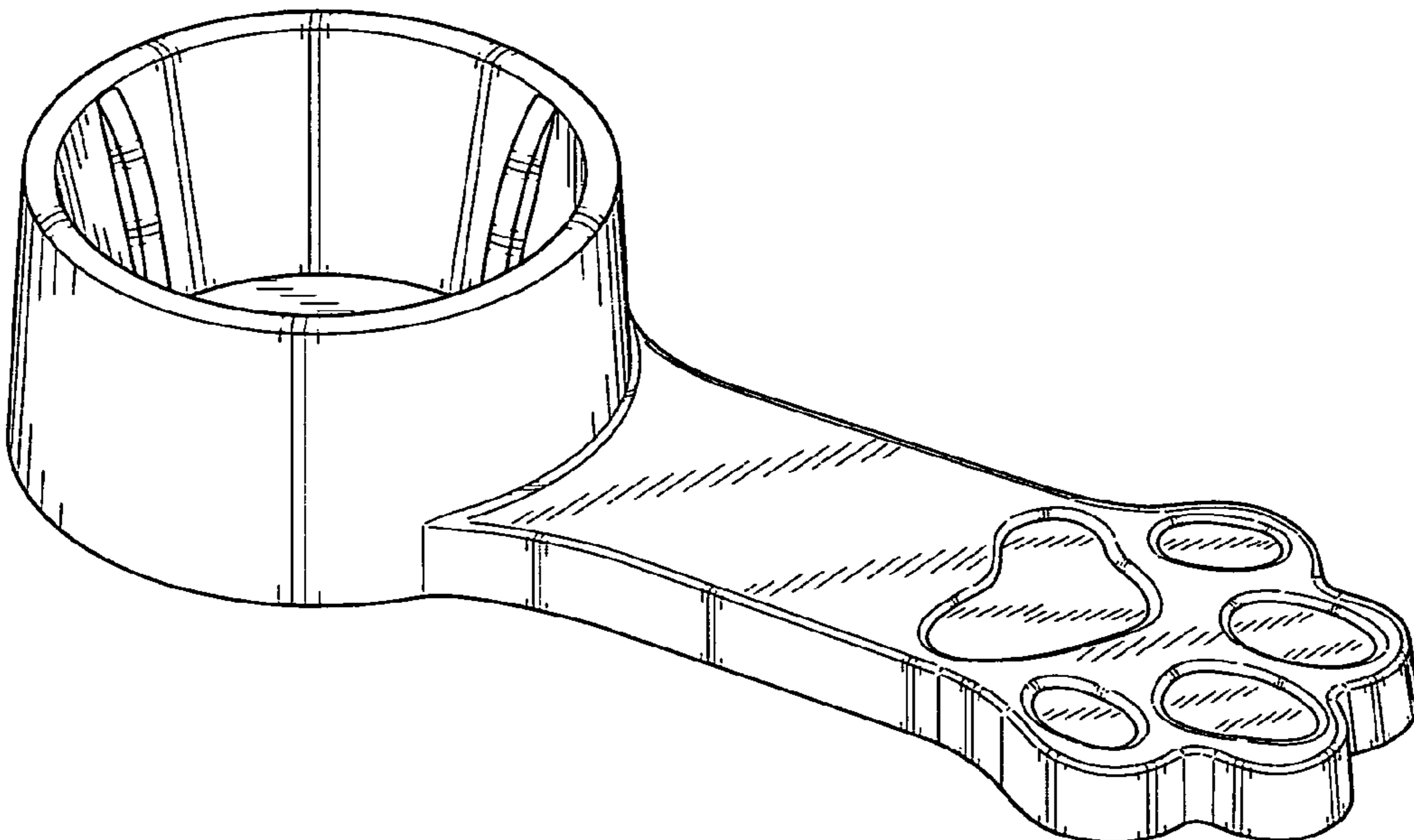
FIG. 3 is a front view of the design shown in FIG. 1.

FIG. 4 is a rear view of the design shown in FIG. 1.

FIG. 5 is a top view of the design shown in FIG. 1; and,

FIG. 6 is a bottom view of the design shown in FIG. 1.

1 Claim, 3 Drawing Sheets



US D665,133 S

Page 2

U.S. PATENT DOCUMENTS

D582,798 S *	12/2008	Mantilla et al.	D10/46.3	D614,074 S *	4/2010	Castaline et al.	D11/79
D585,727 S *	2/2009	Kelleghan	D8/356	D654,245 S *	2/2012	School	D99/5
D591,162 S *	4/2009	Slabaugh	D9/607	2005/0066464 A1*	3/2005	McKay	15/169

* cited by examiner

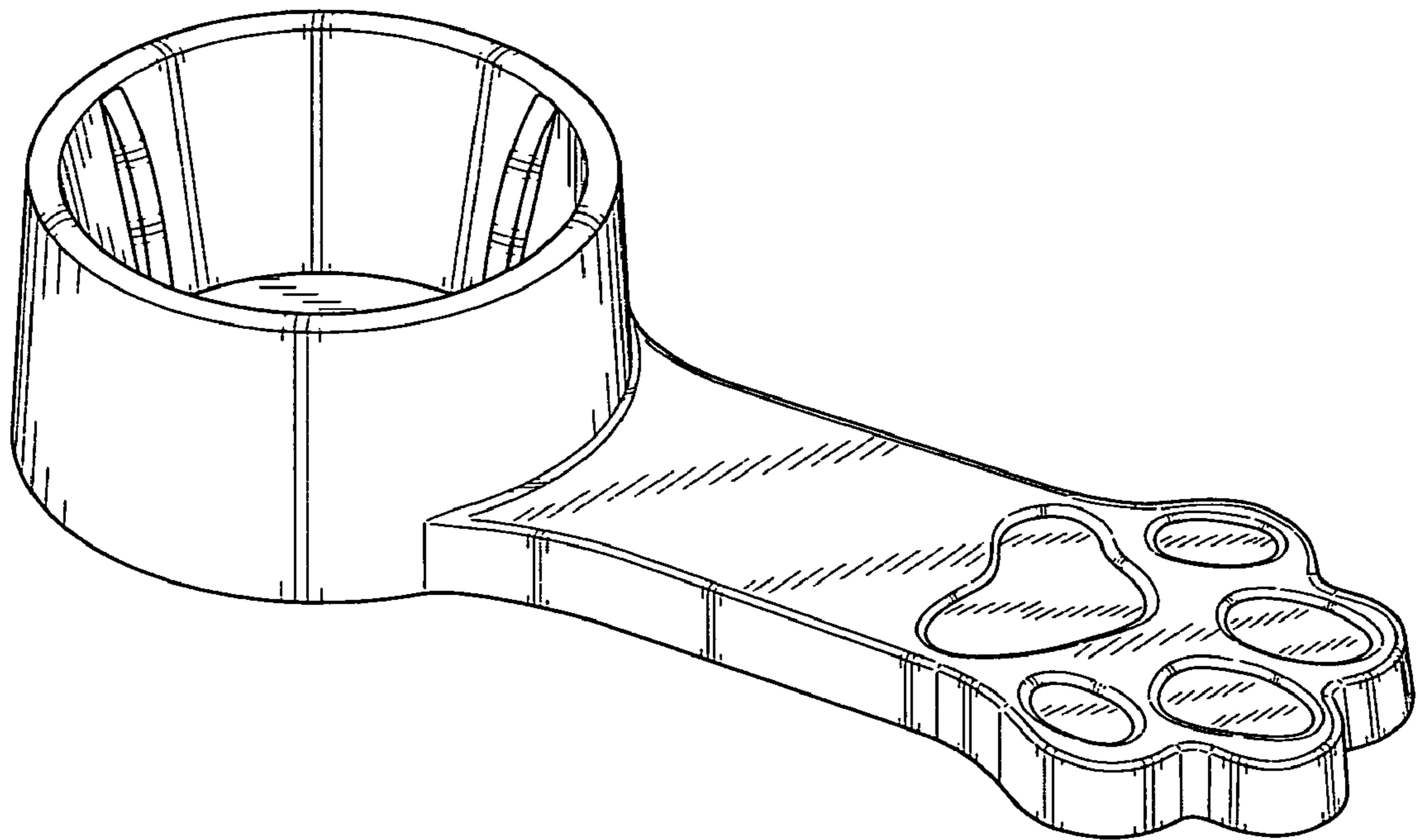


FIG. 1

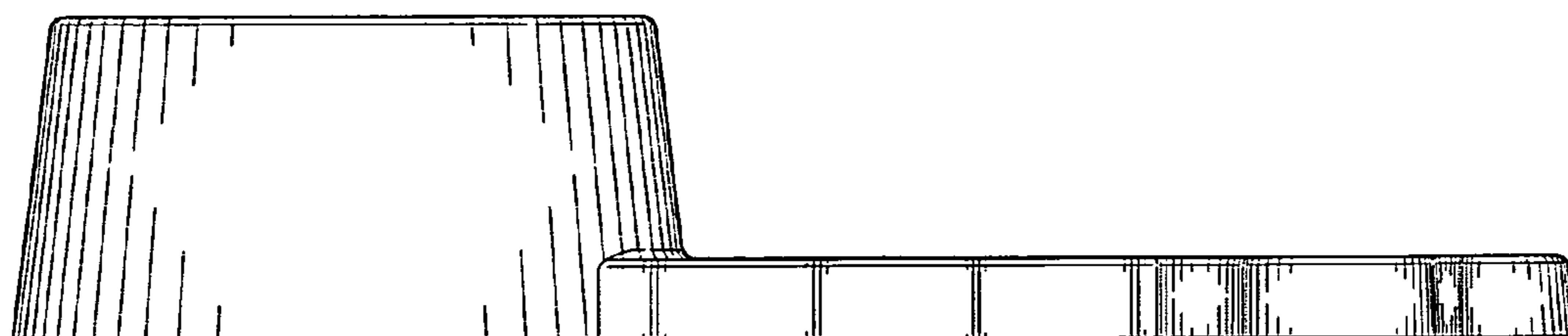


FIG. 2

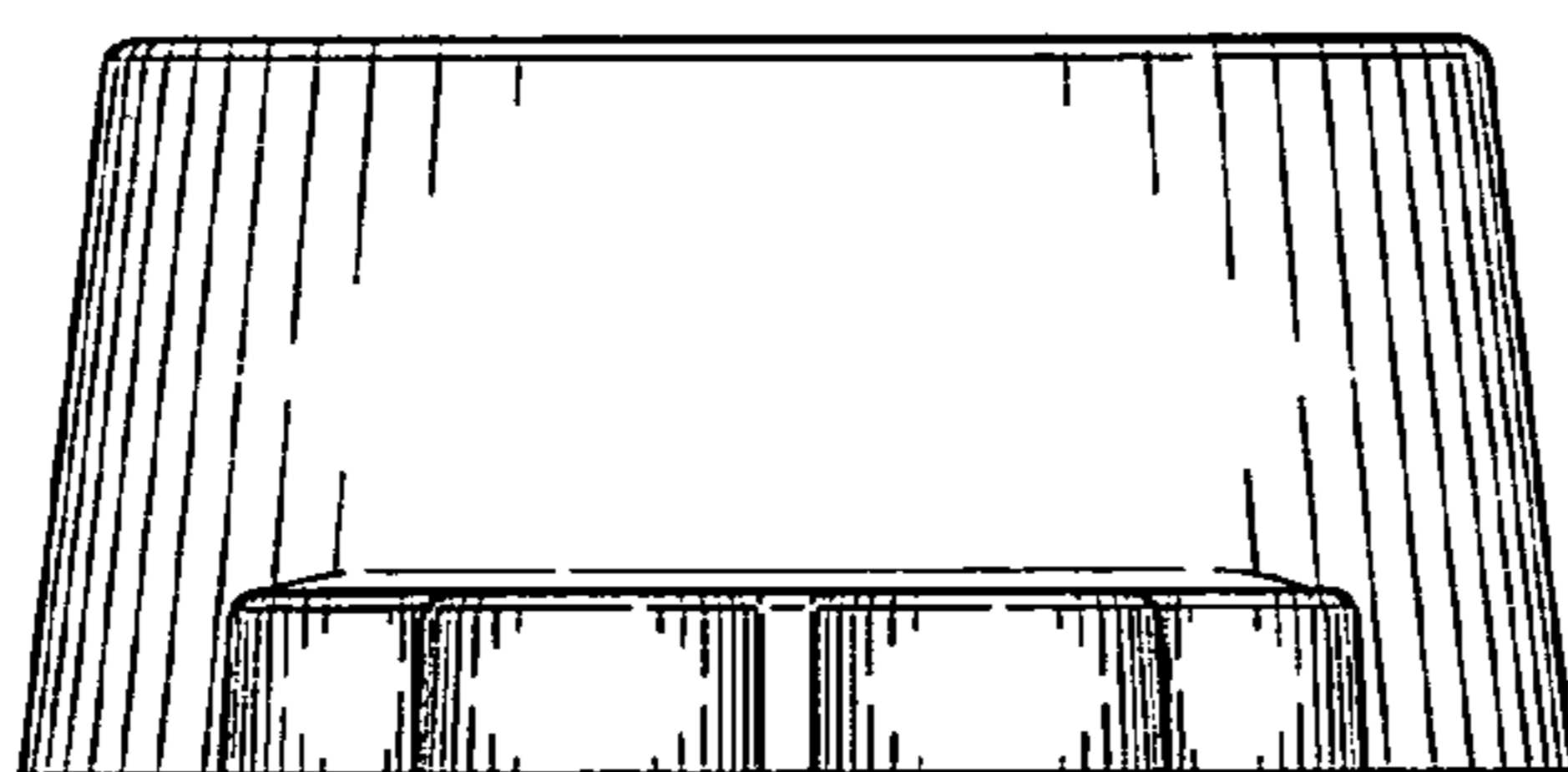


FIG. 3

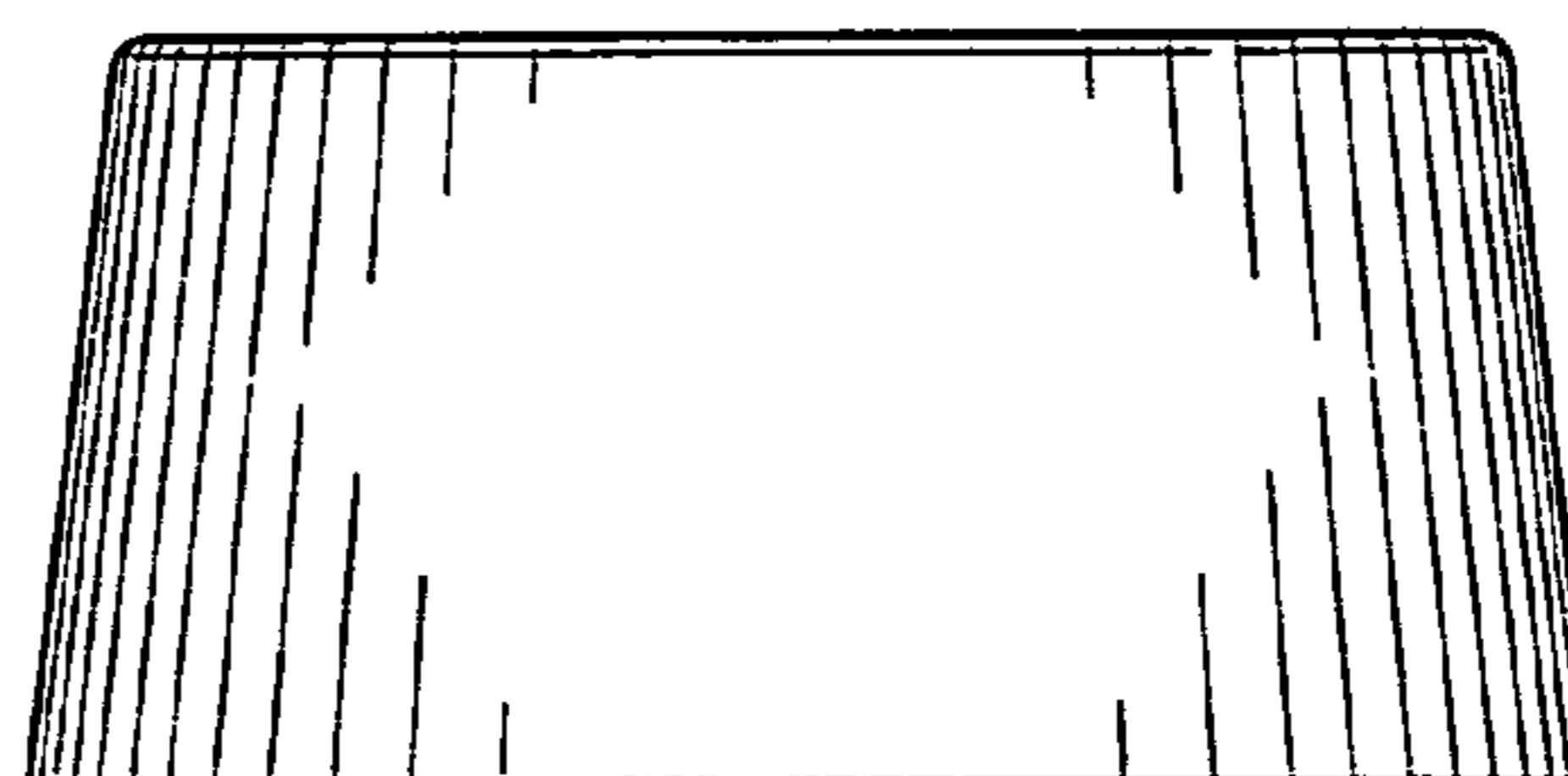


FIG. 4

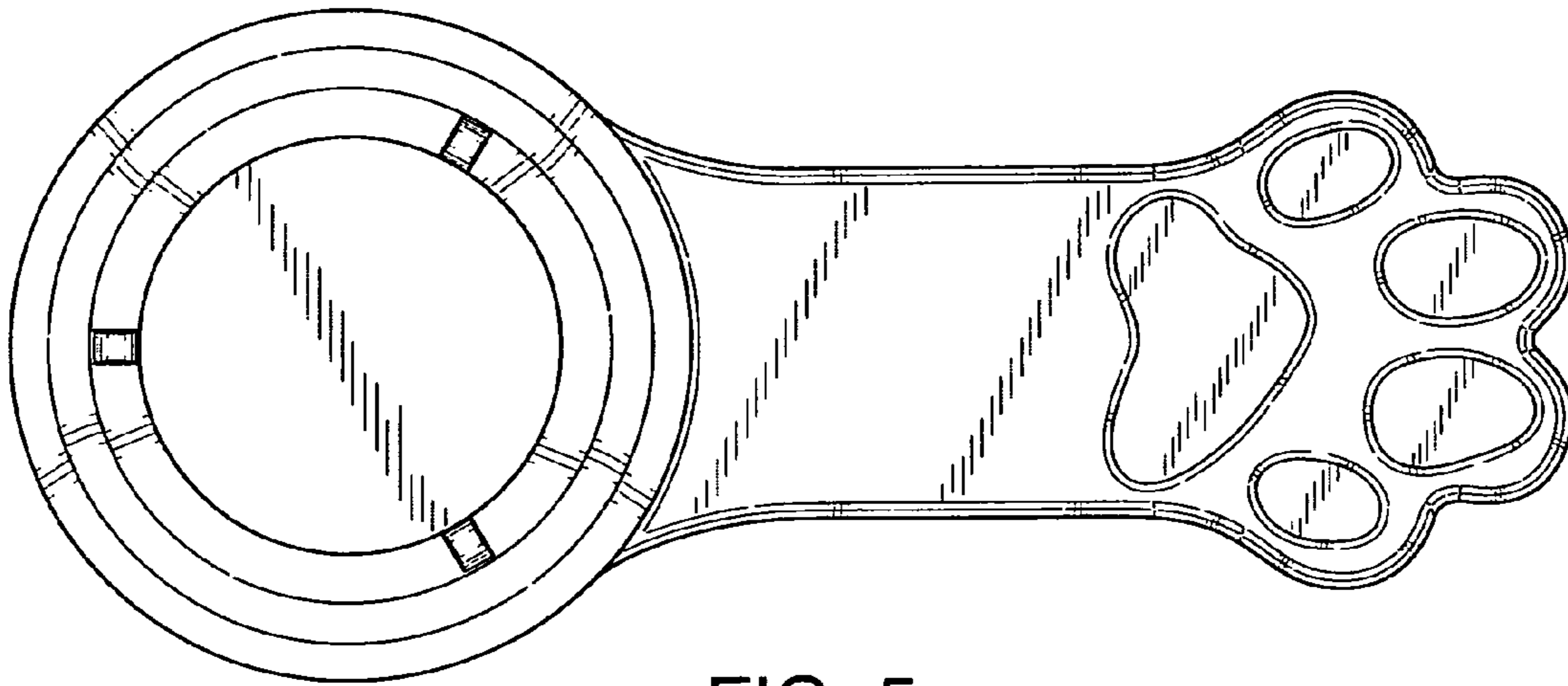


FIG. 5

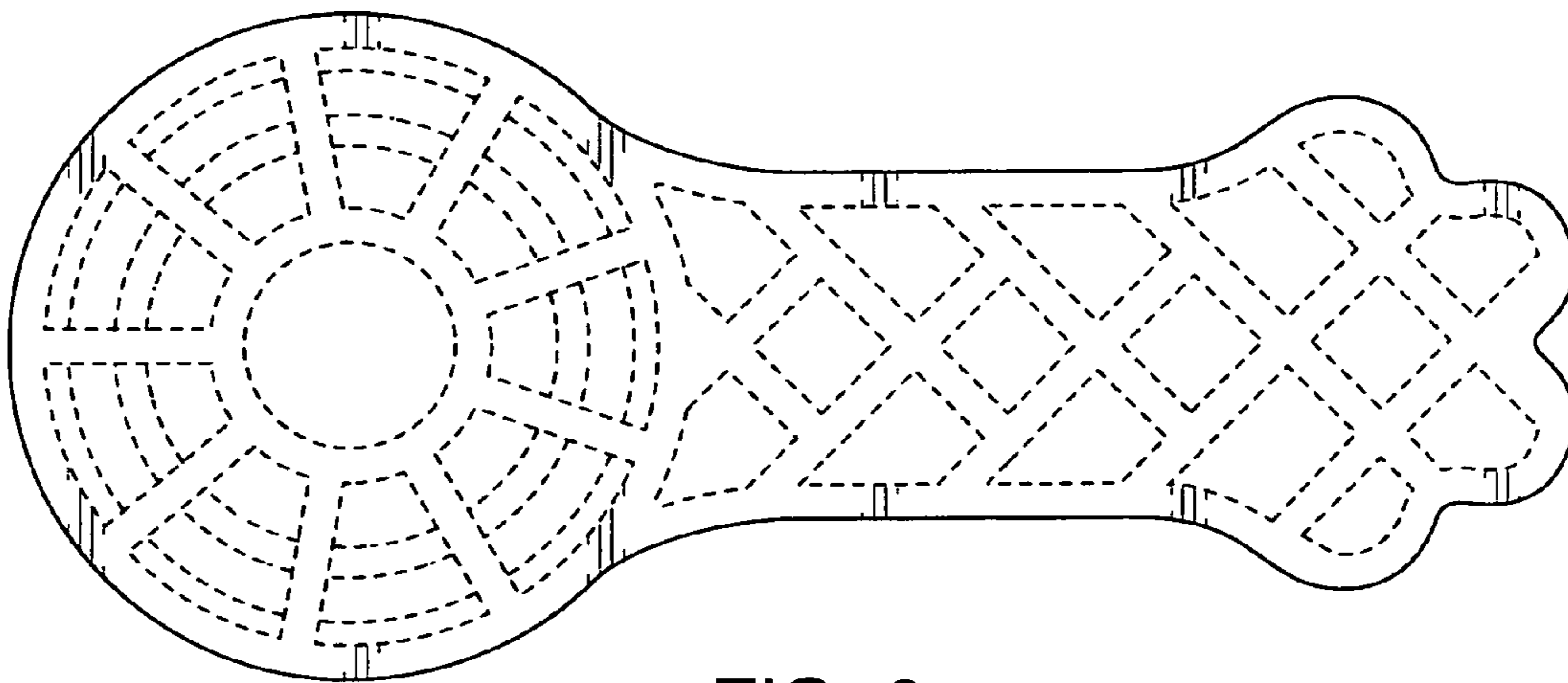


FIG. 6