



US00D665126S

(12) **United States Design Patent**
Lin

(10) **Patent No.:** **US D665,126 S**
(45) **Date of Patent:** **** Aug. 7, 2012**

(54) **TABLETOP SEMI-AUTOMATIC CIGARETTE MAKING MACHINE**

(75) Inventor: **Mei Lin**, Glenview, IL (US)

(73) Assignee: **Republic Tobacco L.P.**, Glenview, IL (US)

(**) Term: **14 Years**

(21) Appl. No.: **29/414,360**

(22) Filed: **Feb. 28, 2012**

(51) **LOC (9) Cl.** **27-99**

(52) **U.S. Cl.** **D27/194**

(58) **Field of Classification Search** D27/162, D27/184, 194, 157, 156, 155, 154, 141, 142, D27/143, 159, 161, 158, 160, 105, 104, 172, D27/129, 102, 103, 127, 128, 136, 137, 138, D27/139, 144, 180; 131/173, 70, 237, 235.1, 131/185, 280, 282, 283, 27.1, 56, 57, 58, 131/231, 234, 240.1, 256; 431/153; 248/230.8, 248/558, 309.1; D6/417; D7/416; D8/395, D8/394

See application file for complete search history.

(56) **References Cited**

U.S. PATENT DOCUMENTS

D219,495 S * 12/1970 Bessier D27/194
3,688,777 A * 9/1972 Kastner et al. 131/70
3,746,011 A * 7/1973 Kappeler et al. 131/70
D241,354 S * 9/1976 Gee D27/194

D250,965 S * 1/1979 Moscovitch D27/194
5,088,506 A * 2/1992 Kastner 131/70
6,557,560 B2 * 5/2003 Kastner 131/73
D579,150 S * 10/2008 Lin et al. D27/194
D613,033 S * 4/2010 Lin D27/194
D659,901 S * 5/2012 Lin D27/194

* cited by examiner

Primary Examiner — Kevin Rudzinski

(74) *Attorney, Agent, or Firm* — Drinker Biddle & Reath LLP

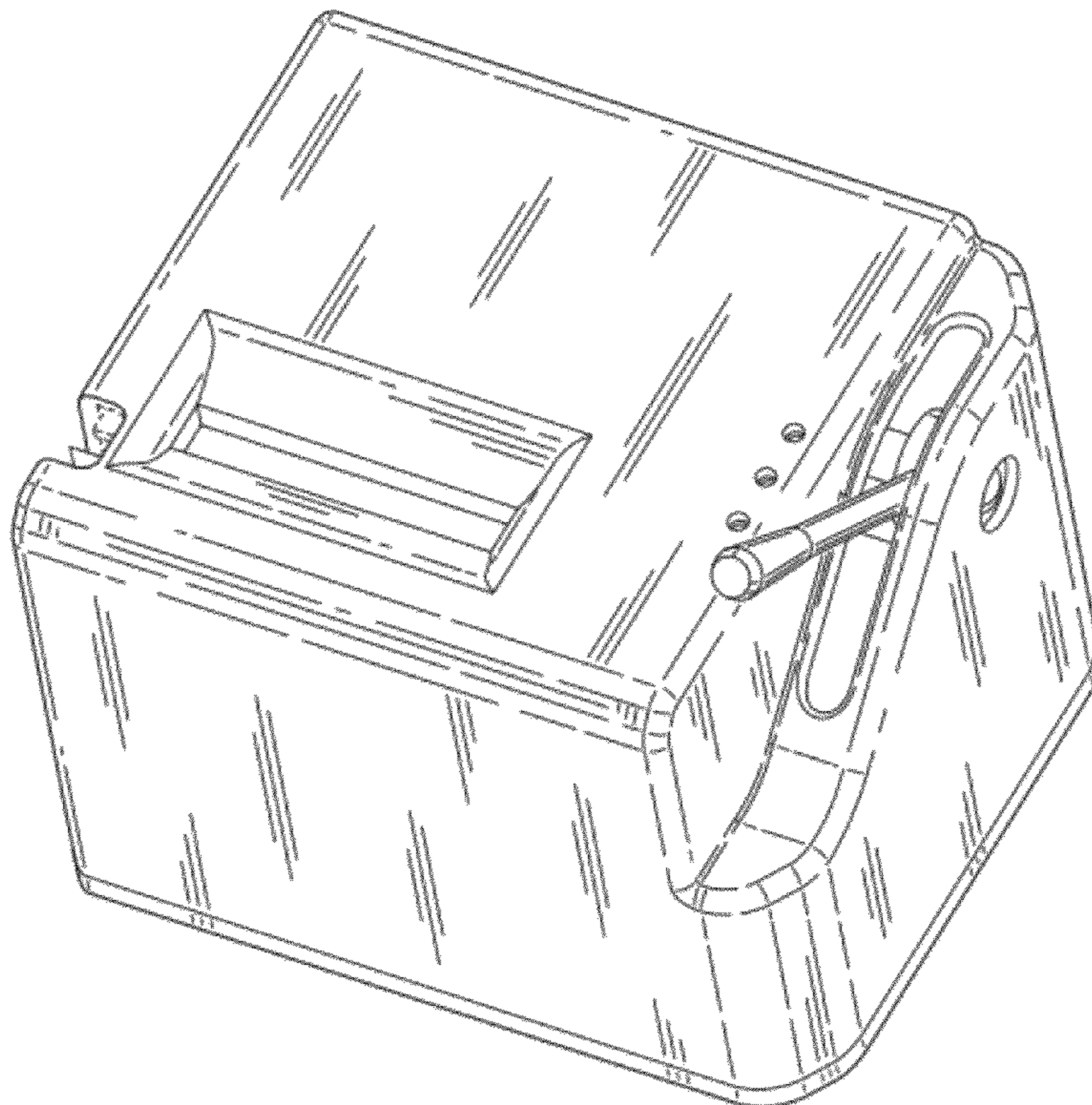
(57) **CLAIM**

The ornamental design for a tabletop semi-automatic cigarette making machine, as shown and described.

DESCRIPTION

FIG. 1 is a front perspective view of the tabletop semi-automatic cigarette making machine;
FIG. 2 is a right side elevation view of the tabletop semi-automatic cigarette making machine of FIG. 1;
FIG. 3 is a left side elevation view of the tabletop semi-automatic cigarette making machine of FIG. 1;
FIG. 4 is a front elevation view of the tabletop semi-automatic cigarette making machine of FIG. 1;
FIG. 5 is a rear elevation view of the tabletop semi-automatic cigarette making machine of FIG. 1;
FIG. 6 is a top plan view of the tabletop semi-automatic cigarette making machine of FIG. 1; and,
FIG. 7 is a bottom plan view of the tabletop semi-automatic cigarette making machine of FIG. 1, wherein the broken lines in the figures show environmental context for illustrative purposes only and do not form a part of the claimed design.

1 Claim, 4 Drawing Sheets



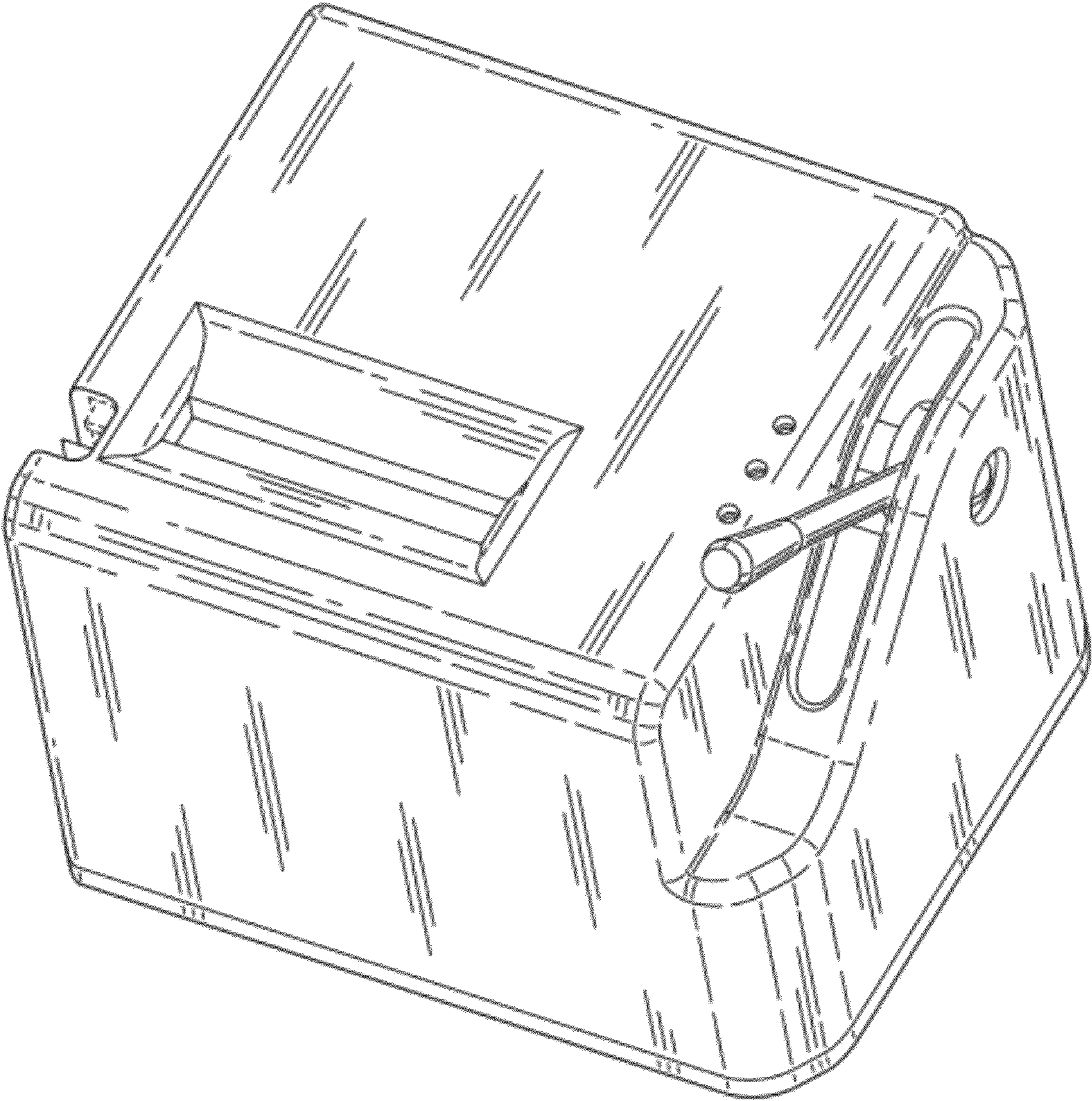


FIG. 1

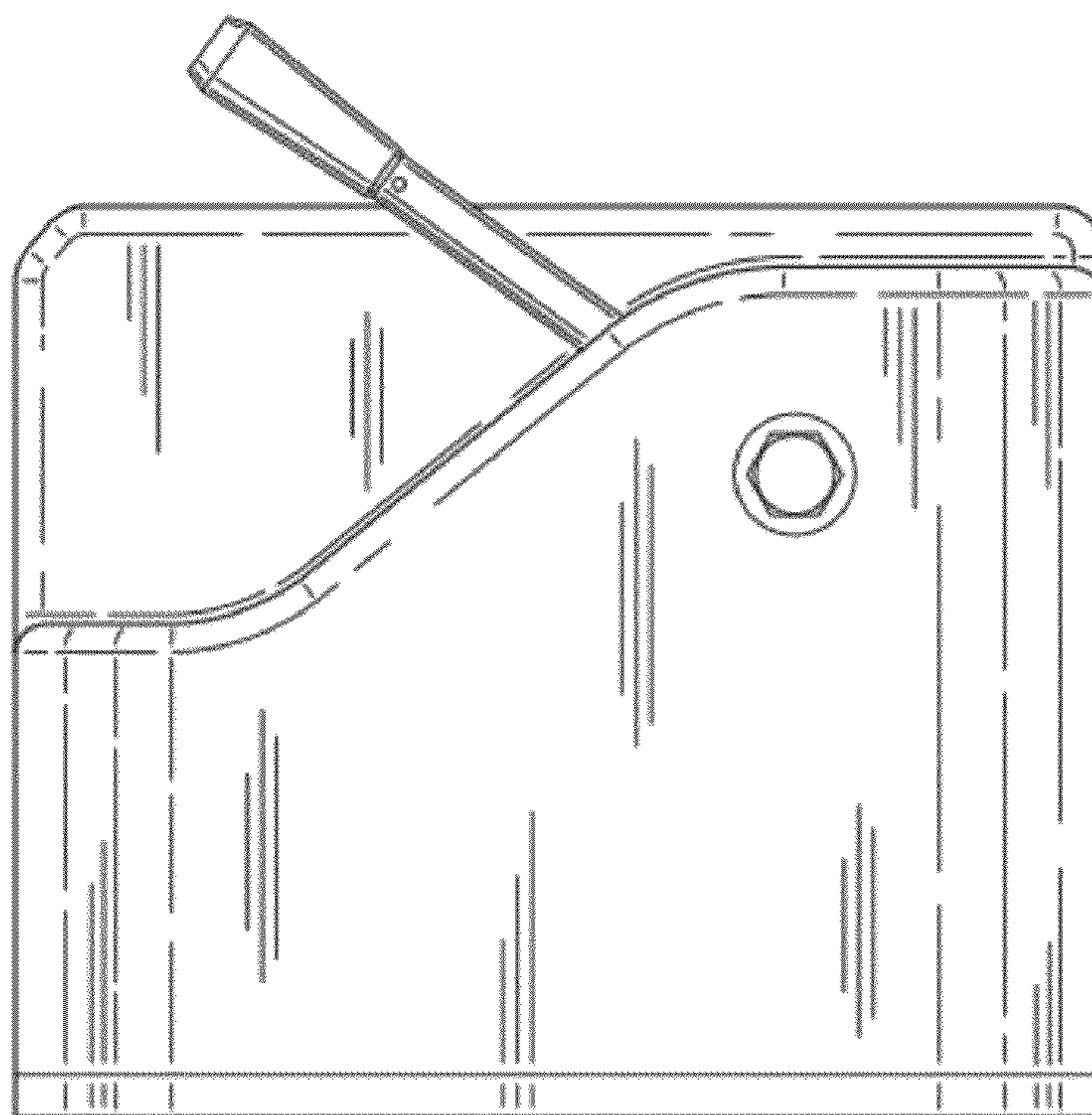


FIG. 2

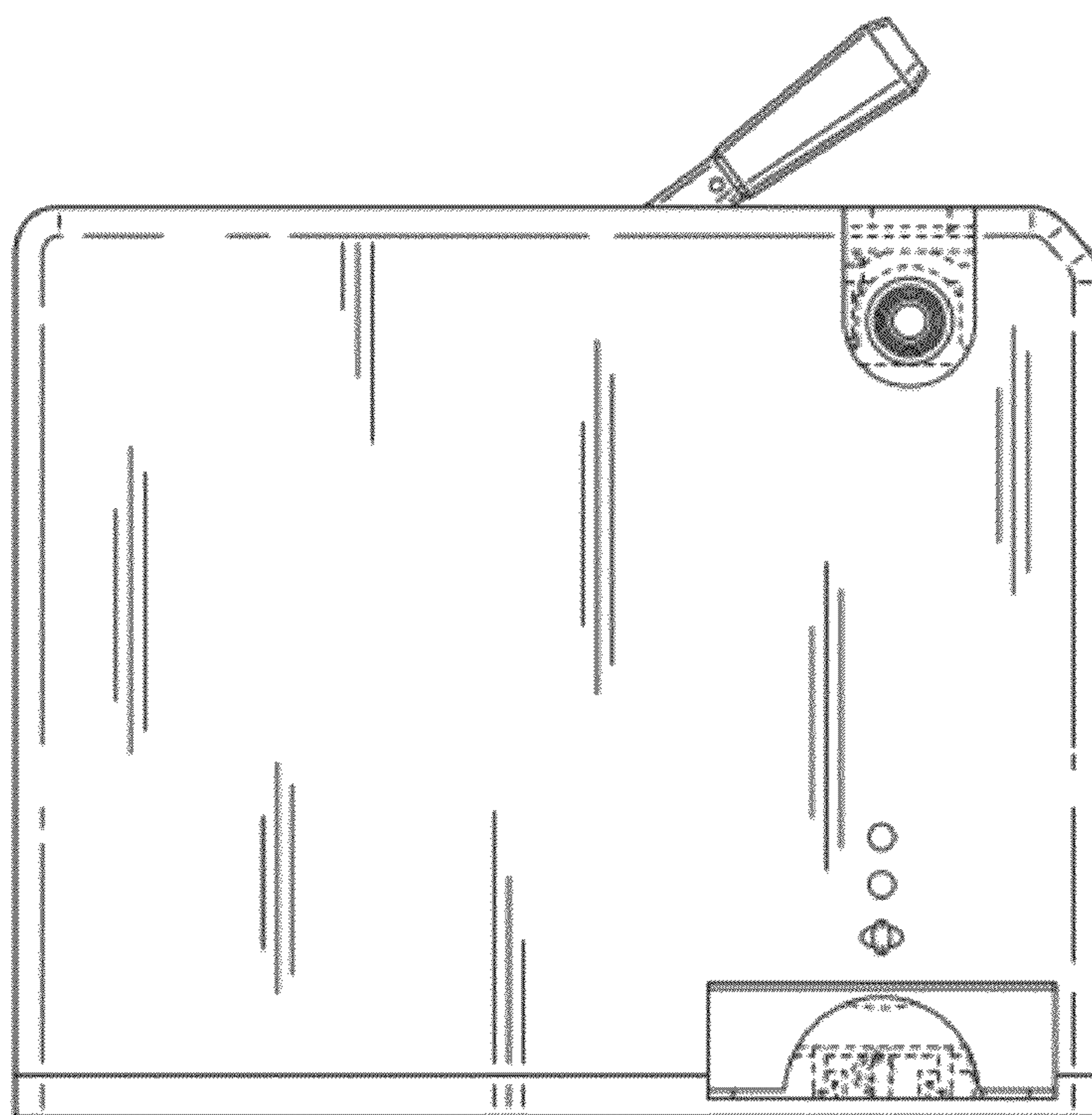


FIG. 3

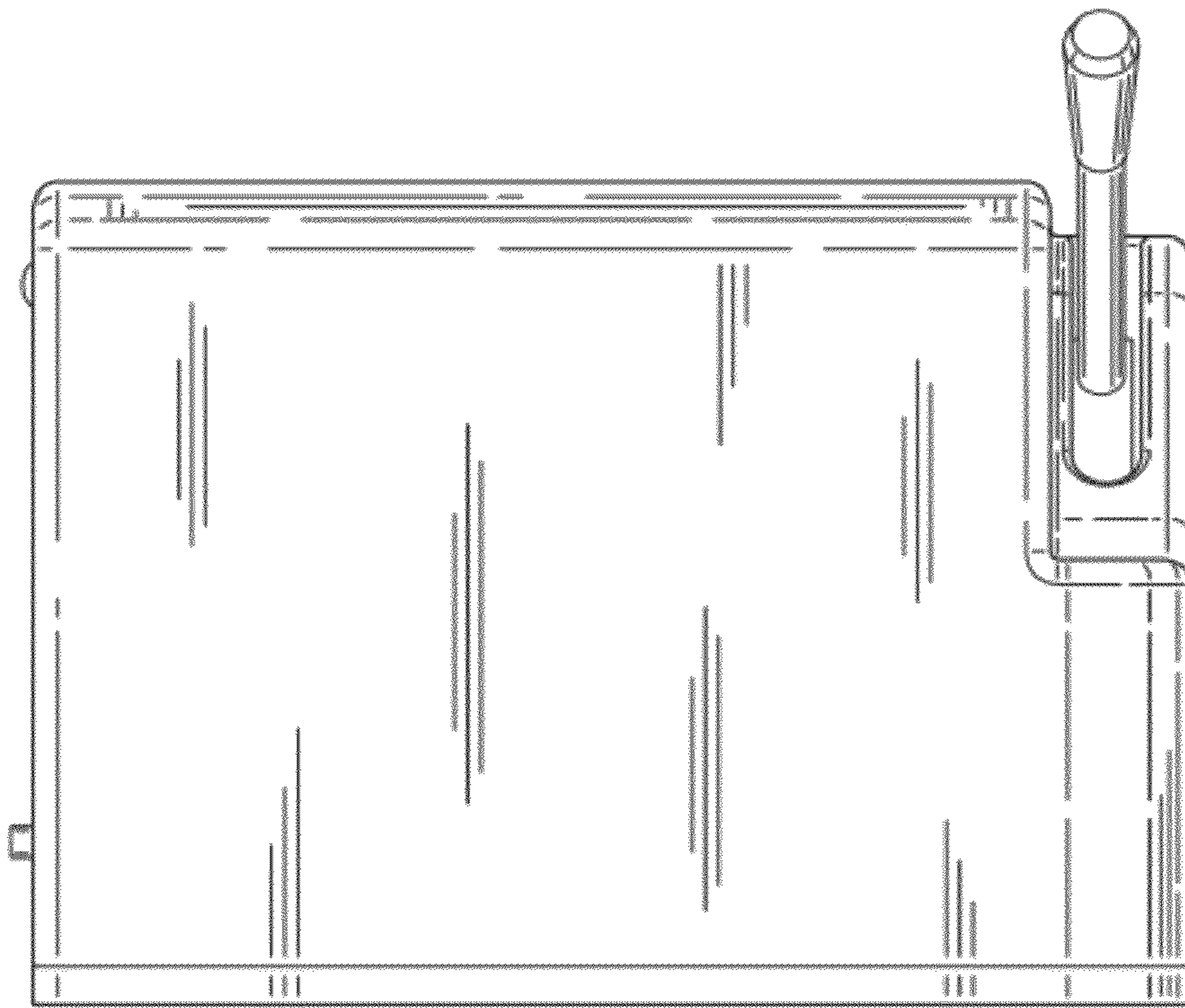


FIG. 4

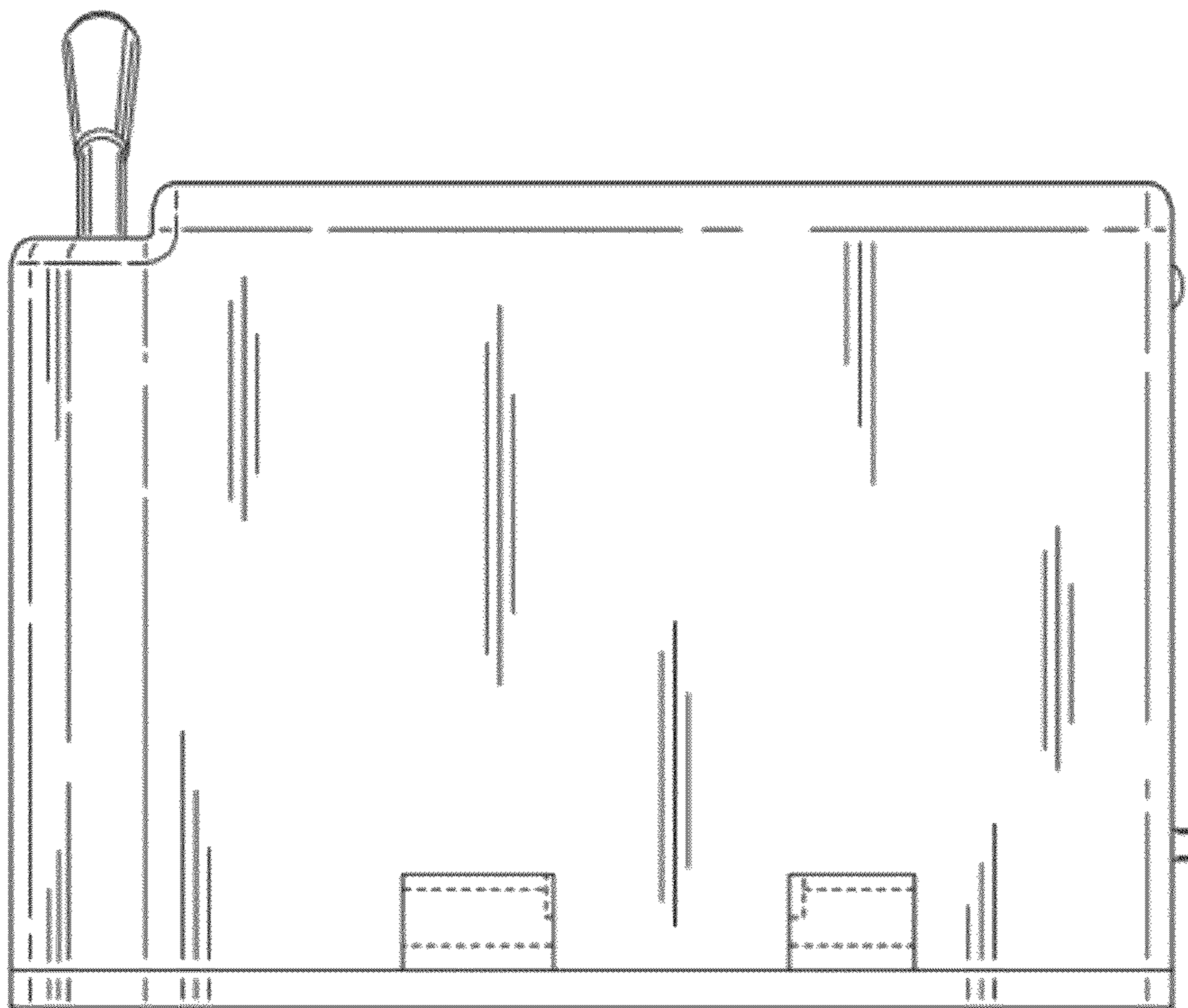


FIG. 5

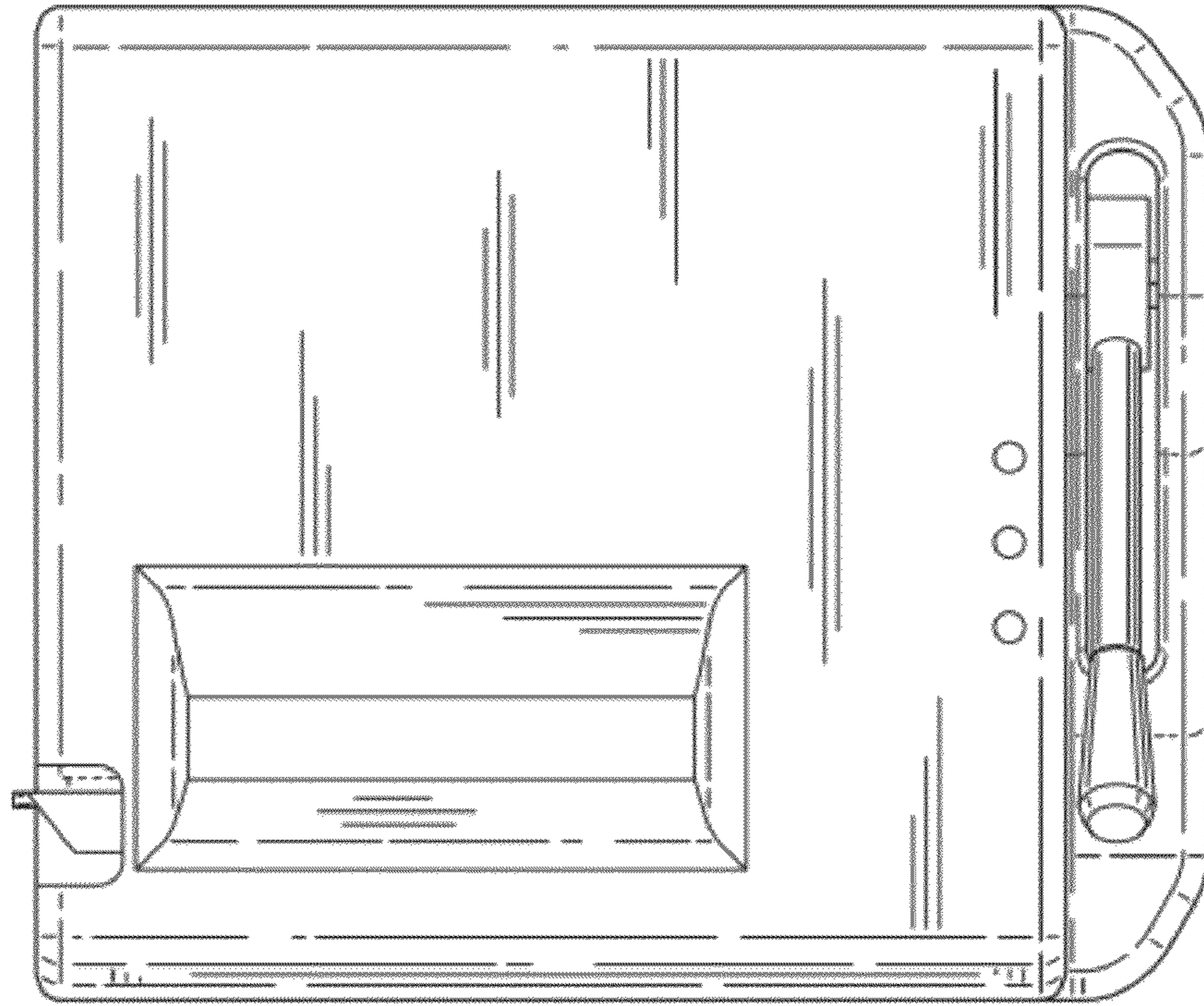


FIG. 6

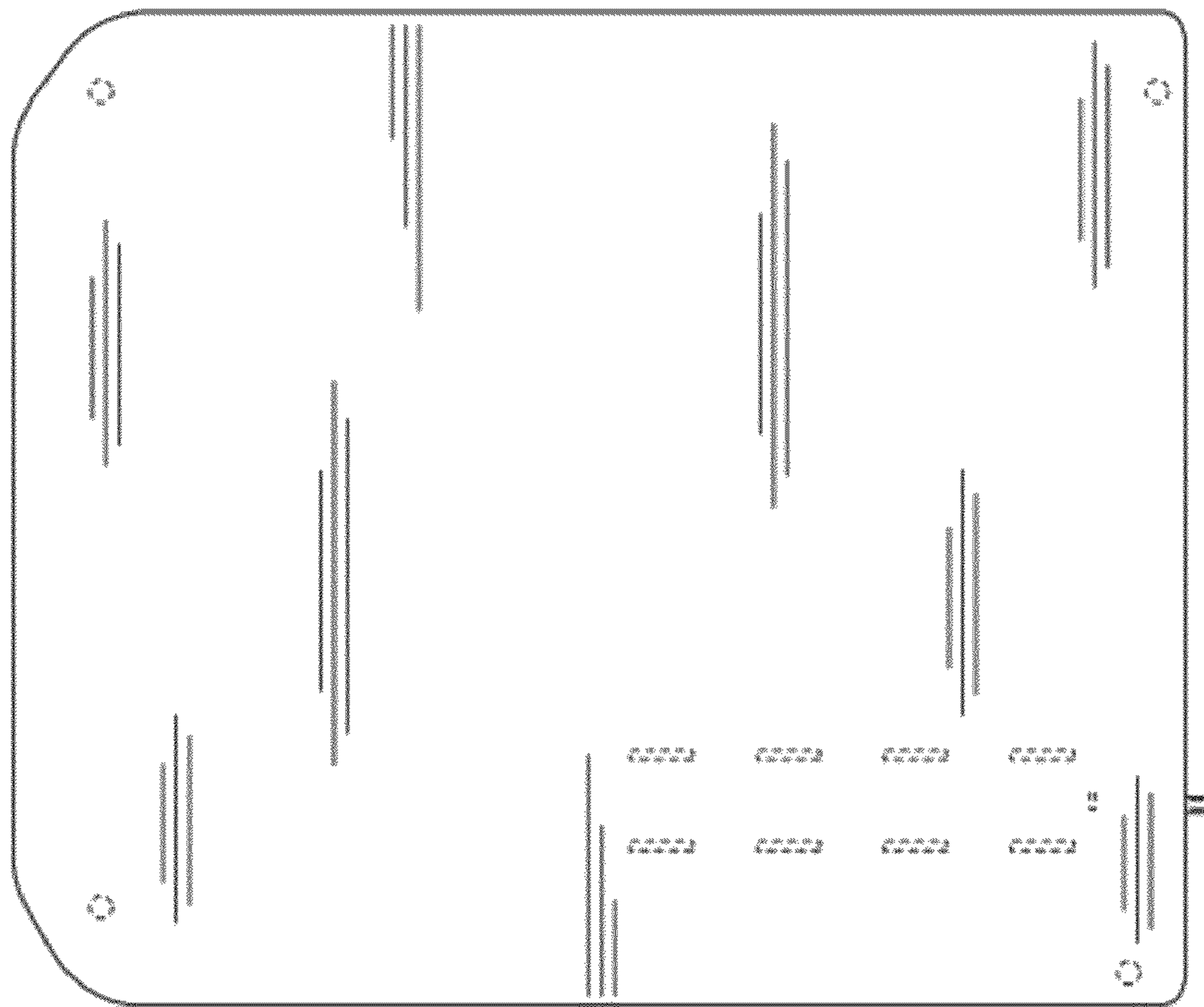


FIG. 7