



US00D665123S

(12) **United States Design Patent**
Douglas

(10) **Patent No.:** **US D665,123 S**

(45) **Date of Patent:** **** Aug. 7, 2012**

(54) **LIGHTING SYSTEM BRACKET**

(75) **Inventor:** **David E. Douglas**, Oak Park, MI (US)

(73) **Assignee:** **Q Technology, Inc.**, Livermore, CA (US)

(**) **Term:** **14 Years**

(21) **Appl. No.:** **29/409,991**

(22) **Filed:** **Dec. 31, 2011**

(51) **LOC (9) Cl.** **26-99**

(52) **U.S. Cl.** **D26/138**

(58) **Field of Classification Search** D26/118,
D26/113, 119, 120, 121, 122, 123, 128, 129,
D26/136, 132, 135, 138, 139, 1, 2, 70, 71,
D26/72, 73, 74, 76, 124, 125, 126, 130, 131,
D26/140, 78, 24, 25, 81, 85, 86, 92, 87, 88,
D26/89, 90, 75, 141, 142, 145, 155, 152,
D26/153; 362/555, 362, 326, 405, 152, 146,
362/145, 480, 147, 148, 133, 235; D13/179,
D13/180; D10/111; D11/89, 90; D25/122,
D25/164, 38.1, 123, 124; 52/97; D6/580

See application file for complete search history.

(56) **References Cited**

U.S. PATENT DOCUMENTS

3,007,558	A *	11/1961	Miller	52/846
3,737,654	A *	6/1973	Hawley	362/311.06
D247,194	S *	2/1978	Win	D26/152
D261,311	S *	10/1981	Schmidt	D25/124
D290,404	S *	6/1987	Stoler	D25/119
D292,619	S *	11/1987	Chen	D26/141
5,031,083	A *	7/1991	Claesson	362/249.06
D342,796	S *	12/1993	Cole	D25/124
D348,118	S *	6/1994	Hamrin	D26/118

D374,650	S *	10/1996	Shermeto	D12/223
D437,944	S *	2/2001	Neuhofer, Jr.	D25/199
D448,864	S *	10/2001	Marshall	D25/124
6,302,560	B1 *	10/2001	Lai	362/235
6,361,186	B1 *	3/2002	Slayden	362/241
6,659,623	B2 *	12/2003	Friend	362/249.06
7,159,997	B2 *	1/2007	Reo et al.	362/240
7,267,461	B2 *	9/2007	Kan et al.	362/373
7,331,689	B2 *	2/2008	Chen	362/240
D587,731	S *	3/2009	Niedermeyer	D15/136
D595,984	S *	7/2009	Kollman et al.	D6/580
D623,343	S *	9/2010	Klus	D26/138
7,854,527	B2 *	12/2010	Anderson	362/133
D634,063	S *	3/2011	Peifer	D26/138
D641,101	S *	7/2011	Radchenko et al.	D26/138
D649,692	S *	11/2011	Trzesniowski	D26/138

* cited by examiner

Primary Examiner — Kevin Rudzinski

(74) *Attorney, Agent, or Firm* — Theodore C. Huff

(57) **CLAIM**

The ornamental design for a lighting system bracket, as shown and described.

DESCRIPTION

FIG. 1 is a perspective view of a lighting system bracket showing the new design.

FIG. 2 is a front view thereof.

FIG. 3 is a back view thereof.

FIG. 4 is a top view thereof.

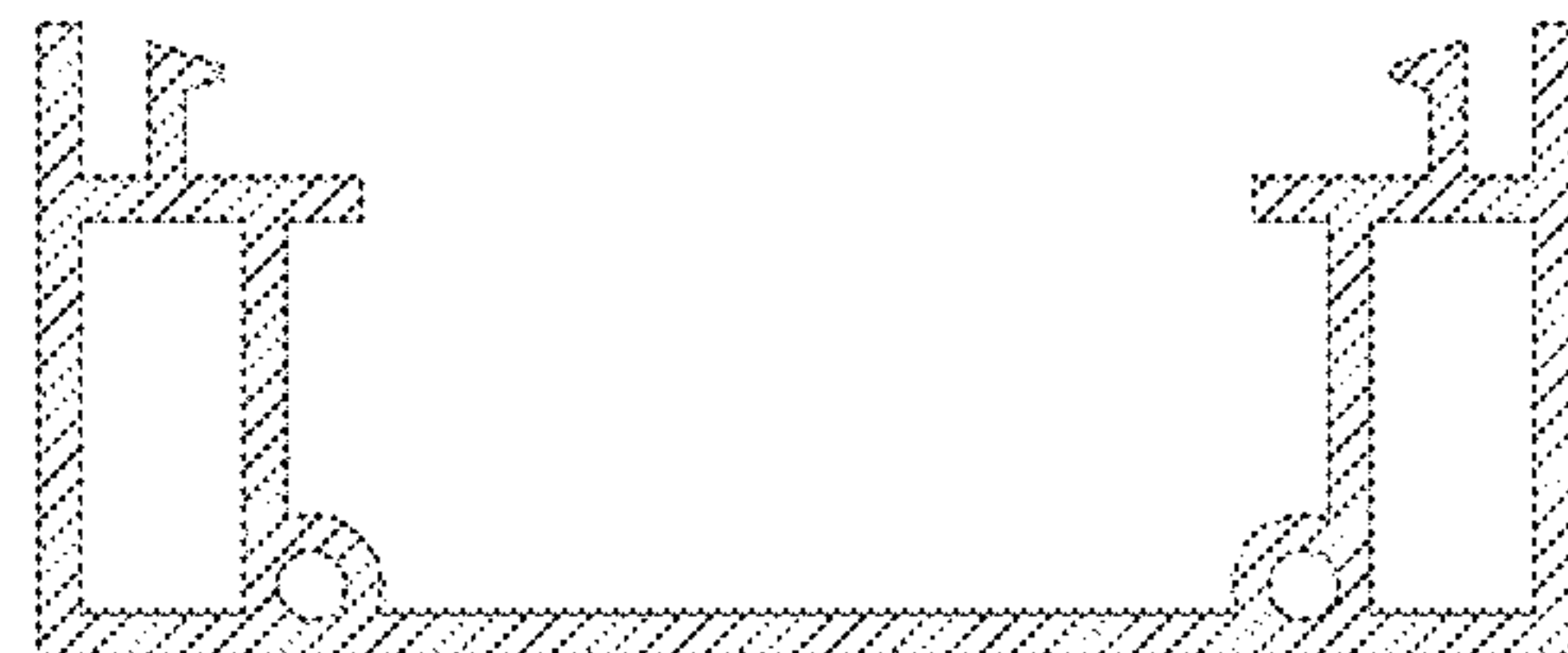
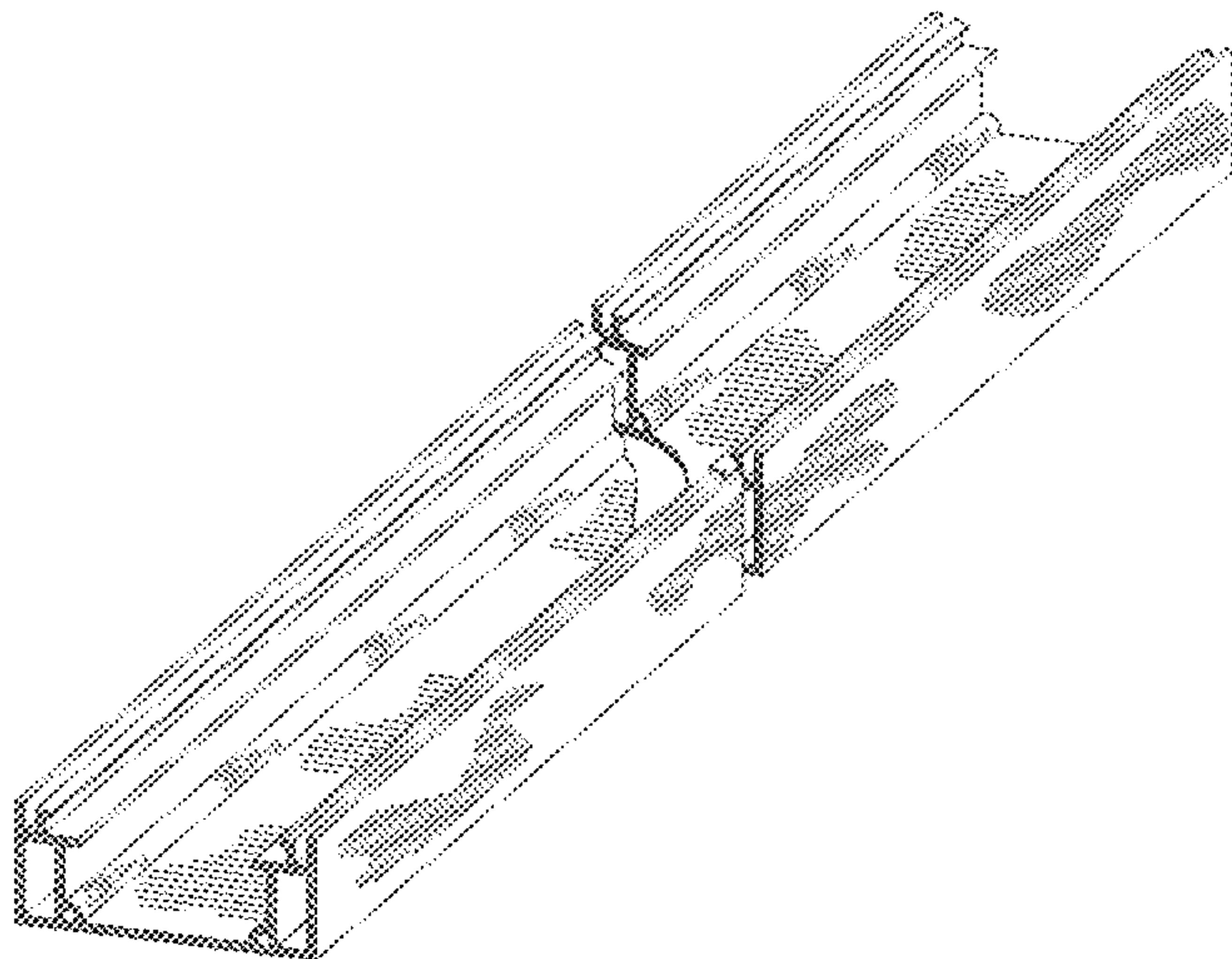
FIG. 5 is a bottom view thereof.

FIG. 6 is a right side view thereof; and,

FIG. 7 is a left side view thereof.

The lighting system bracket is shown with portions broken away in FIGS. 1, 4, 5, 6 and 7 to indicate the design has no specific length.

1 Claim, 3 Drawing Sheets



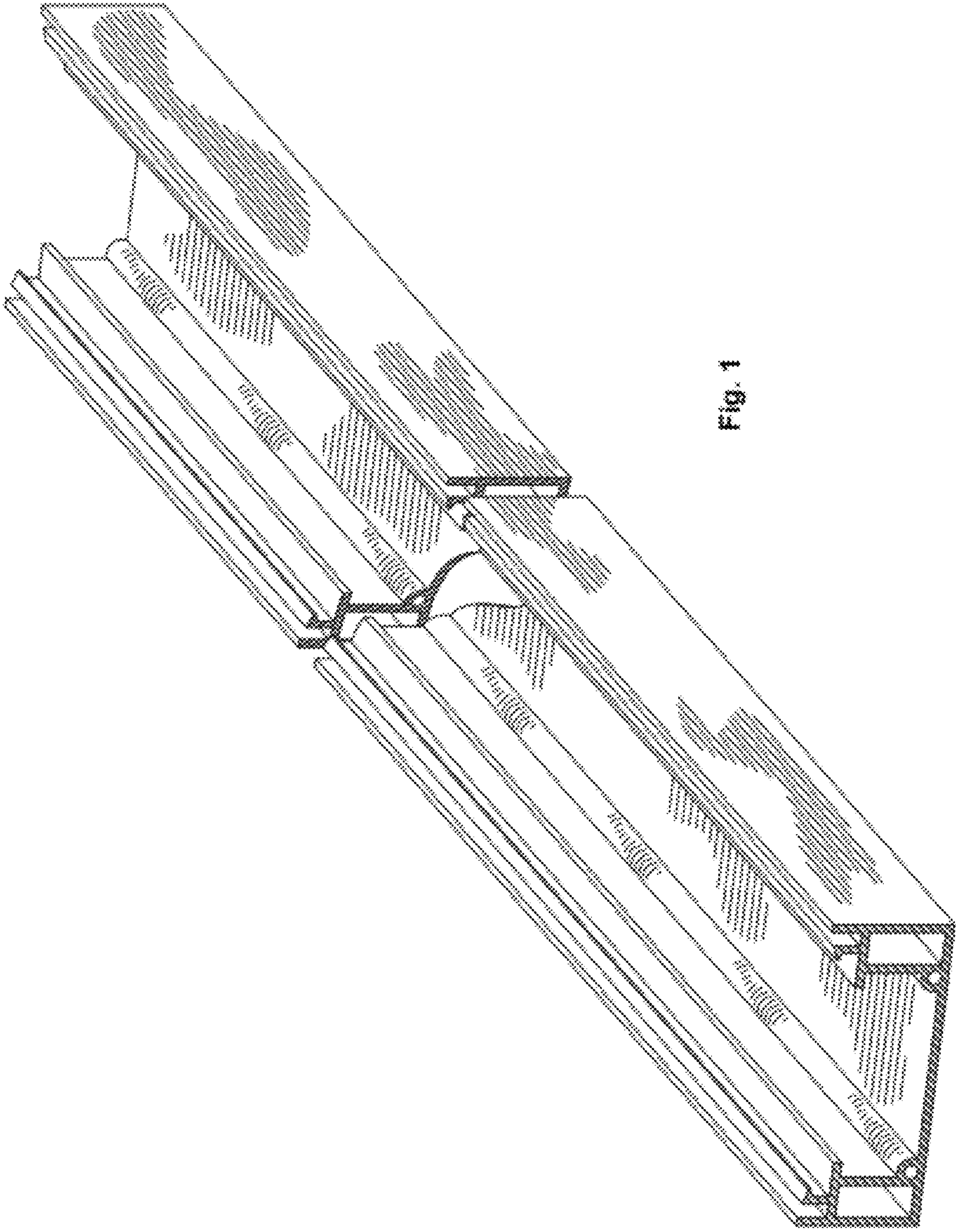


Fig. 1

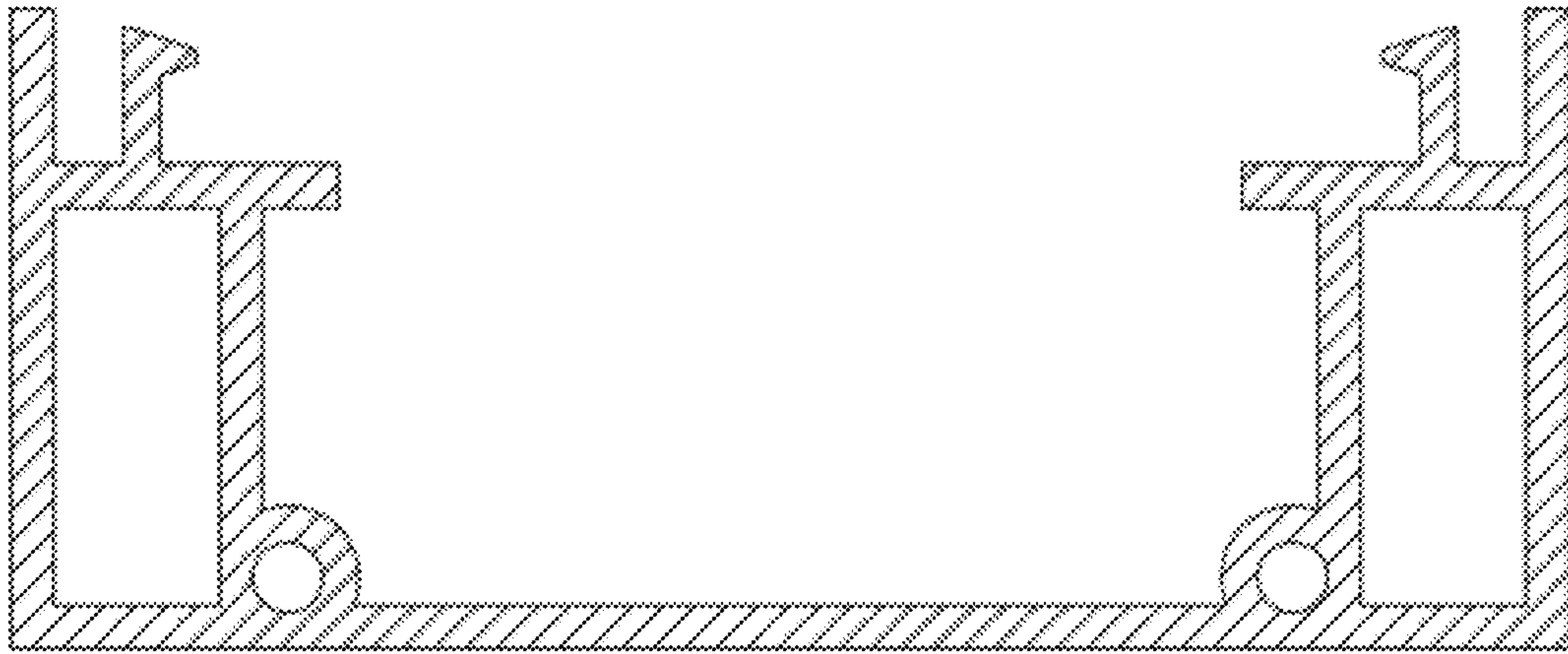


Fig. 2



Fig. 3

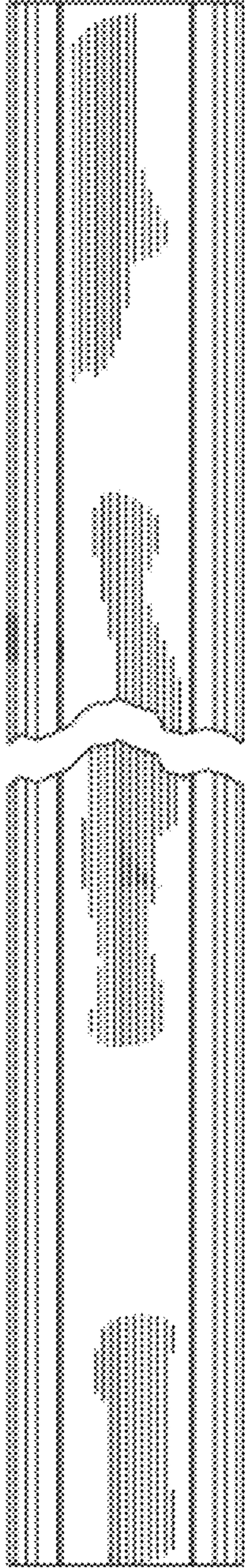


Fig. 4

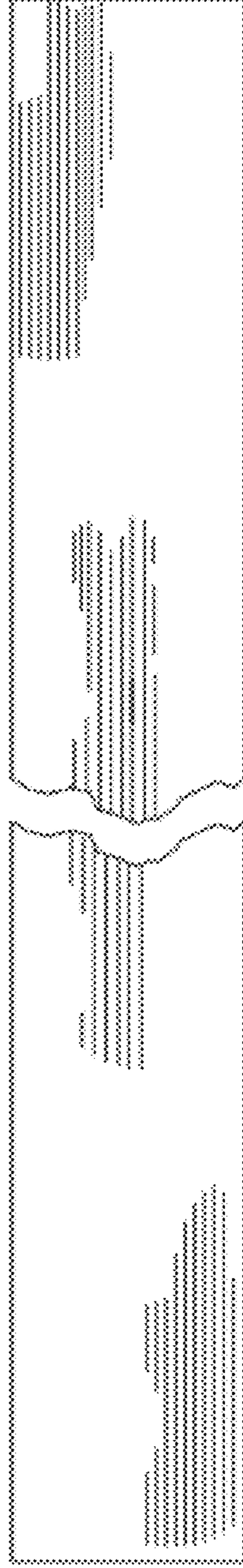


Fig. 5

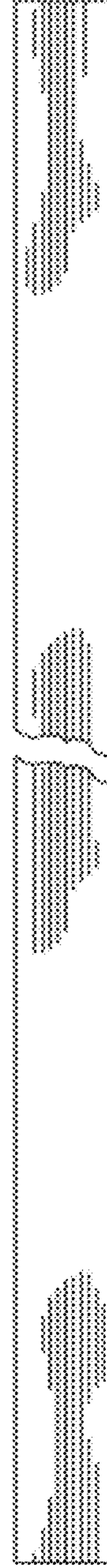


Fig. 6

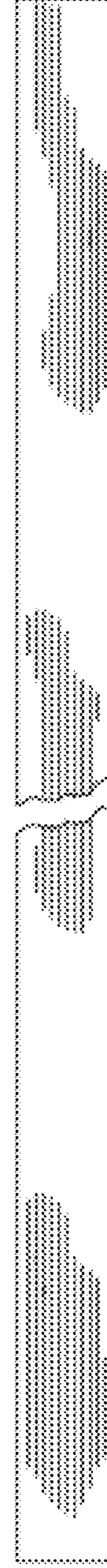


Fig. 7