



US00D665119S

(12) **United States Design Patent**
Bryant

(10) **Patent No.:** **US D665,119 S**

(45) **Date of Patent:** **** Aug. 7, 2012**

(54) **TROFFER LUMINAIRE**

(75) Inventor: **Christopher Michael Bryant**, Social
Circle, GA (US)

(73) Assignee: **Cooper Technologies Company**,
Houston, TX (US)

(**) Term: **14 Years**

(21) Appl. No.: **29/397,861**

(22) Filed: **Jul. 21, 2011**

(51) **LOC (9) Cl.** **26-99**

(52) **U.S. Cl.** **D26/122**

(58) **Field of Classification Search** 40/617,
40/553, 592; D16/101; D13/179, 180; D9/457;
D12/400; D8/354, 382; D10/11; D11/79,
D11/129, 125, 128, 126, 127, 124, 121, 122,
D11/123; D30/133; D6/462, 403; D20/41,
D20/42, 10; D25/100, 106; 362/343, 362,
362/246, 260, 256, 223, 125, 565, 647, 350,
362/102; D26/96, 95, 91, 92, 93, 28, 26,
D26/27, 144, 131, 94, 126, 24, 25, 140, 141,
D26/142, 143, 71, 72, 73, 74, 75, 76, 77,
D26/78, 79, 81, 113, 118, 119, 120, 121,
D26/122, 39, 138, 135, 139, 145, 155, 154,
D26/63, 64, 65, 66, 67, 68, 84, 85, 83, 82,
D26/1, 2, 3, 86, 88, 132, 133, 134, 60, 61,
D26/62, 123, 124, 125

See application file for complete search history.

(56) **References Cited**

U.S. PATENT DOCUMENTS

D85,382 S * 10/1931 Guth D26/24
D132,296 S * 5/1942 Hoeveler D26/122
D153,313 S * 4/1949 Phillips D26/59
D182,986 S * 6/1958 Akely et al. D26/76
D186,129 S * 9/1959 Spaulding D26/76

D193,802 S * 10/1962 Thomsen et al. D26/128
D207,596 S * 5/1967 Wince D26/122
3,500,036 A * 3/1970 Szentveri 362/152
D321,407 S * 11/1991 Heidmann D26/72
5,192,129 A * 3/1993 Figueroa 362/346
D374,301 S * 10/1996 Kleffman D26/76
D407,473 S * 3/1999 Wimbock D23/328
6,161,939 A * 12/2000 Bansbach 362/223
D496,121 S * 9/2004 Santoro D26/74
D496,748 S * 9/2004 Herst et al. D26/77
D503,821 S * 4/2005 Waldmann D26/78
D544,136 S * 6/2007 Hargreaves D26/118
D544,138 S * 6/2007 Hargreaves D26/118
D545,481 S * 6/2007 Mayfield et al. D26/118
D553,781 S * 10/2007 Pickard et al. D26/74

(Continued)

OTHER PUBLICATIONS

Philips Day-Light, SofTrace, May 2010.

Primary Examiner — Kevin Rudzinski

(74) *Attorney, Agent, or Firm* — King & Spalding LLP

(57)

CLAIM

The ornamental design for a troffer luminaire, as shown and described.

DESCRIPTION

FIG. 1 is a perspective view of a troffer luminaire, showing my new design;

FIG. 2 is a bottom view thereof;

FIG. 3 is a cross-sectional view thereof;

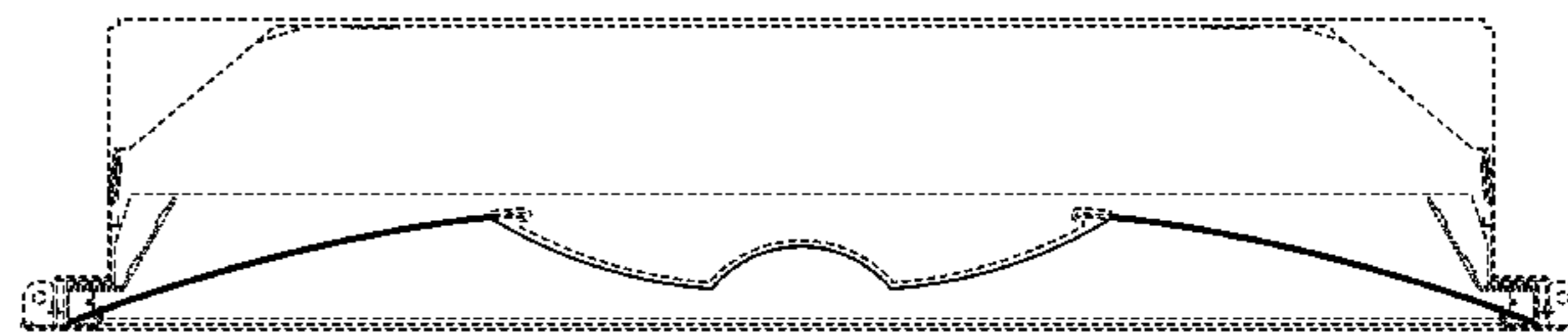
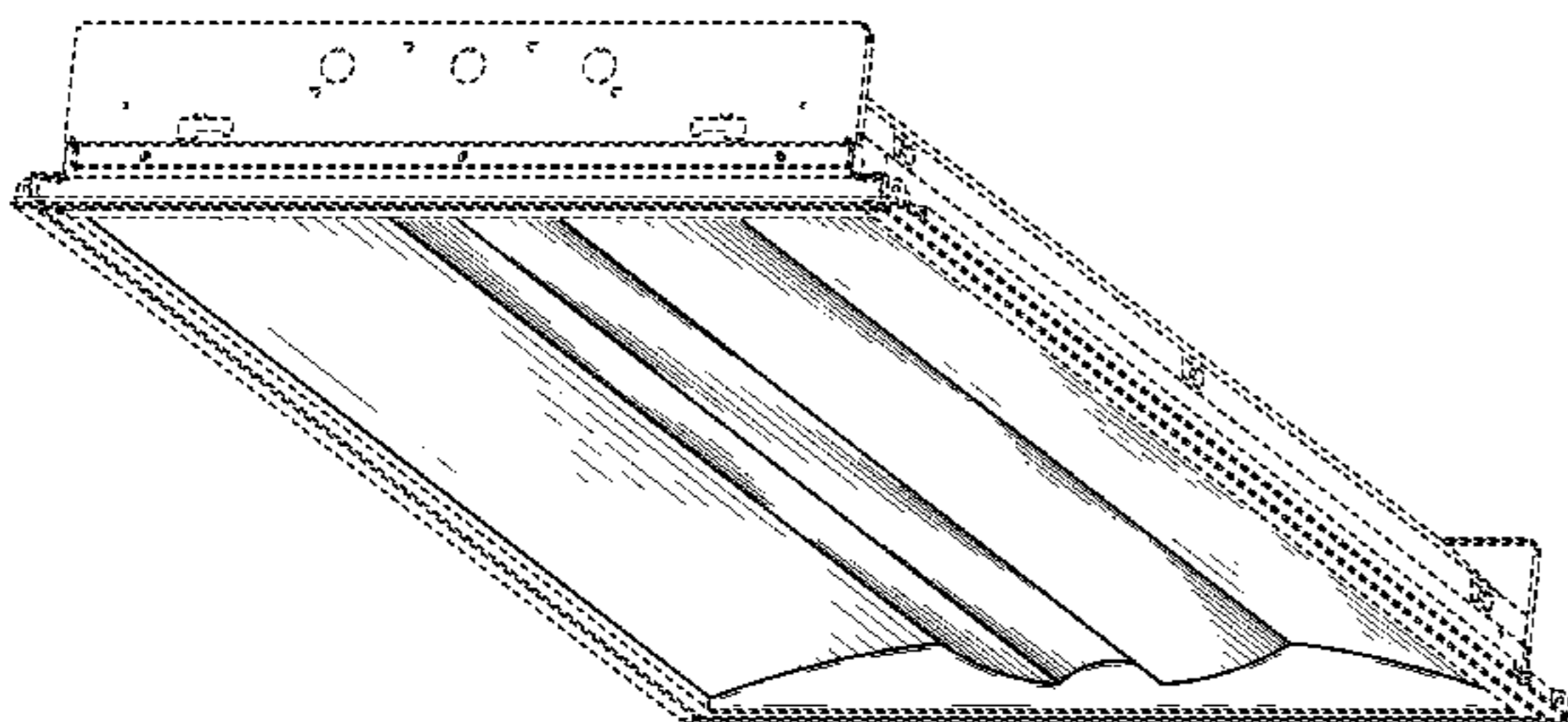
FIG. 4 is a perspective view of another new ornamental design for a troffer luminaire;

FIG. 5 is a bottom view of the luminaire of FIG. 4; and,

FIG. 6 is a cross-sectional view of the luminaire of FIG. 4.

The broken lines shown represent portions of the troffer luminaire that form no part of the claimed design.

1 Claim, 6 Drawing Sheets



US D665,119 S

Page 2

U.S. PATENT DOCUMENTS

7,284,883	B2 *	10/2007	Clark et al.	362/299	D605,341	S *	12/2009	Chung et al.	D26/118
D561,930	S *	2/2008	Hukle et al.	D26/120	D608,490	S *	1/2010	Chung et al.	D26/118
7,347,606	B1 *	3/2008	Patten	362/565	D611,183	S *	3/2010	Duarte	D26/76
D569,026	S *	5/2008	Silver	D26/76	D612,088	S *	3/2010	Wassel et al.	D26/76
D577,852	S *	9/2008	Miyairi et al.	D26/120	D644,374	S *	8/2011	Ferrier	D26/118
D580,087	S *	11/2008	Couture et al.	D26/76	D646,421	S *	10/2011	Chung et al.	D26/75
7,510,305	B2 *	3/2009	Straton et al.	362/294	8,042,977	B1 *	10/2011	Nourishad et al.	362/343
D595,006	S *	6/2009	Santoro	D26/74	D649,686	S *	11/2011	Trzesniowski	D26/138
D595,894	S *	7/2009	Verfuerrth et al.	D26/122	2002/0191397	A1 *	12/2002	Loga et al.	362/247
D596,779	S *	7/2009	Silver	D26/88	2006/0023450	A1 *	2/2006	Chung et al.	362/246
D604,446	S *	11/2009	Fowler et al.	D26/76	2007/0211457	A1 *	9/2007	Mayfield et al.	362/223

* cited by examiner

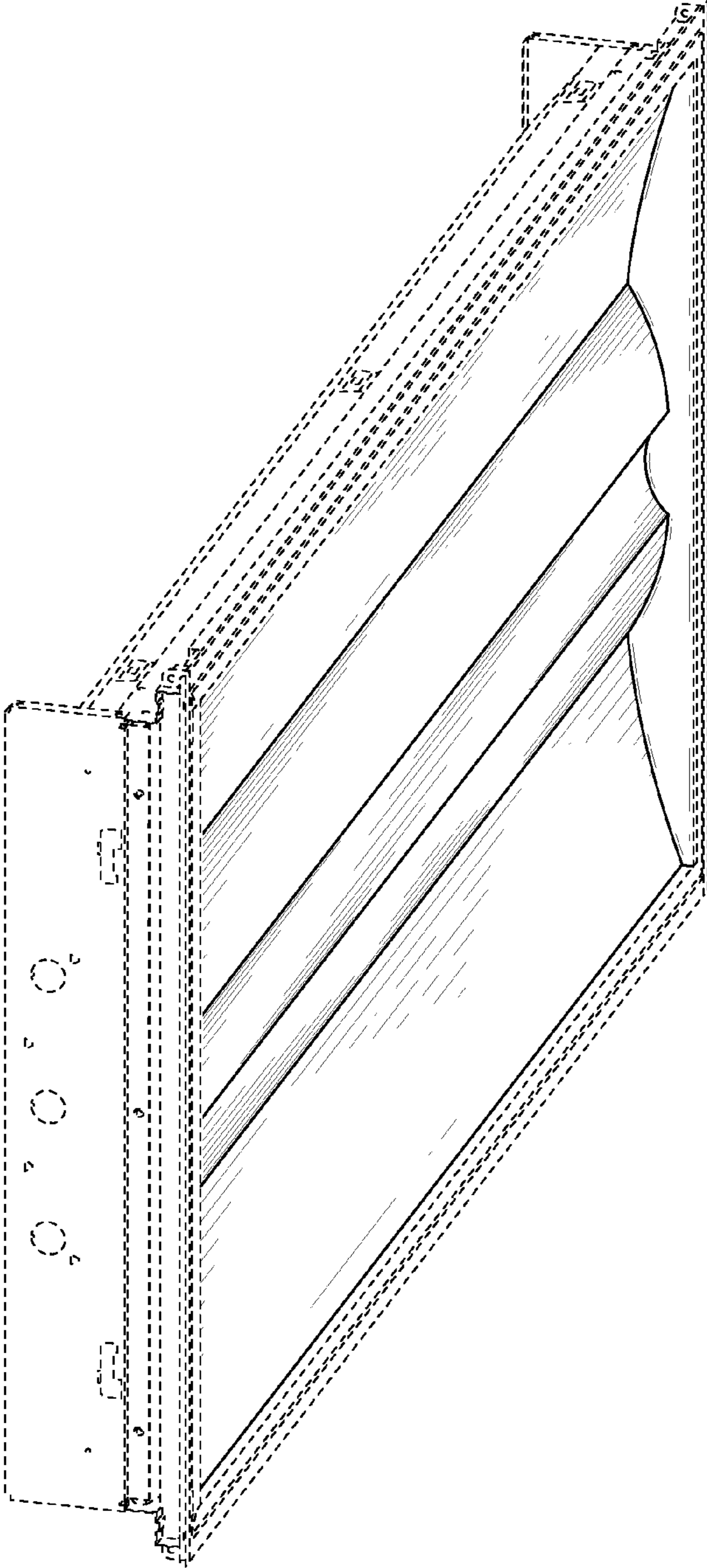


FIG. 1

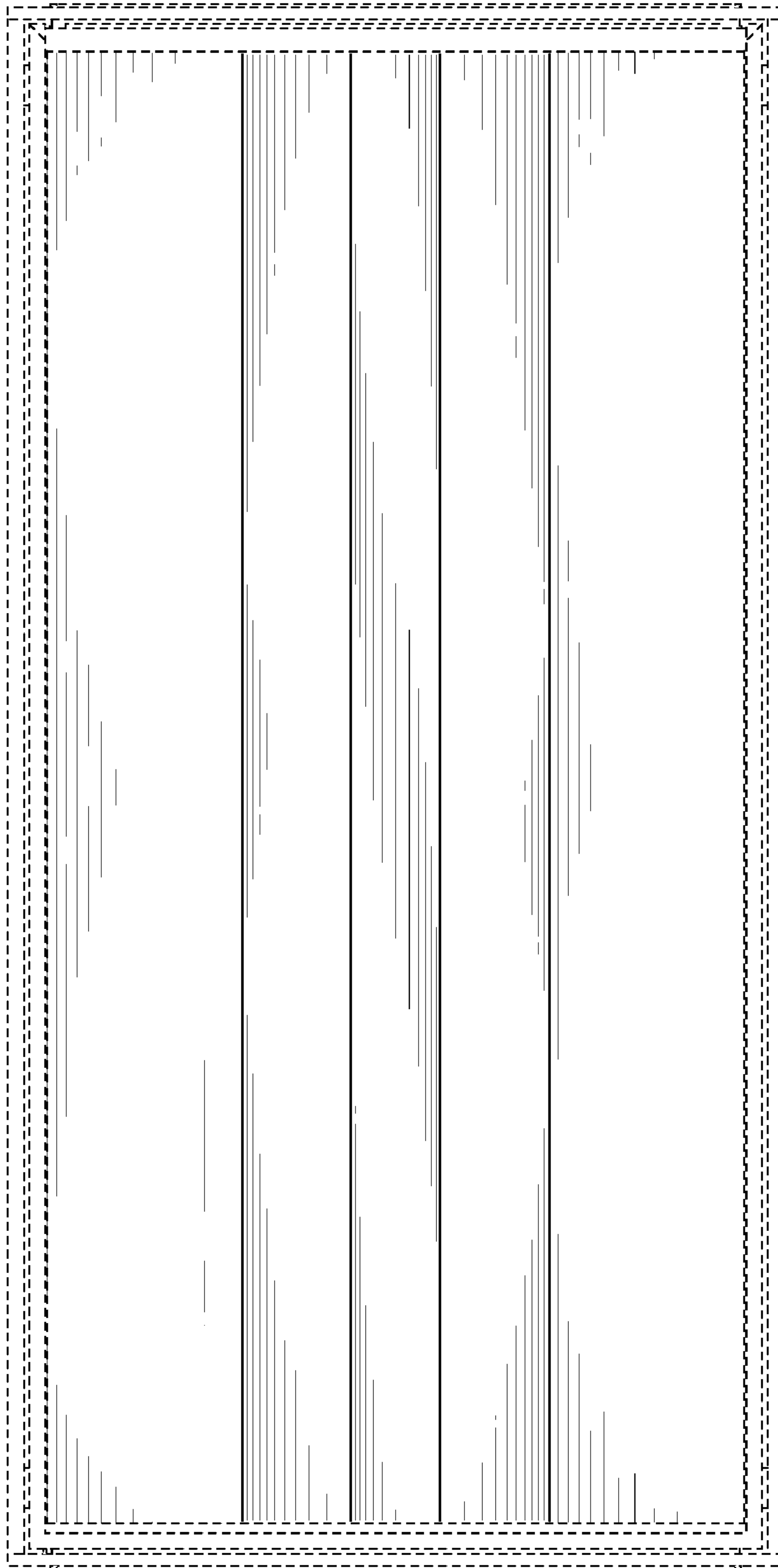


FIG. 2

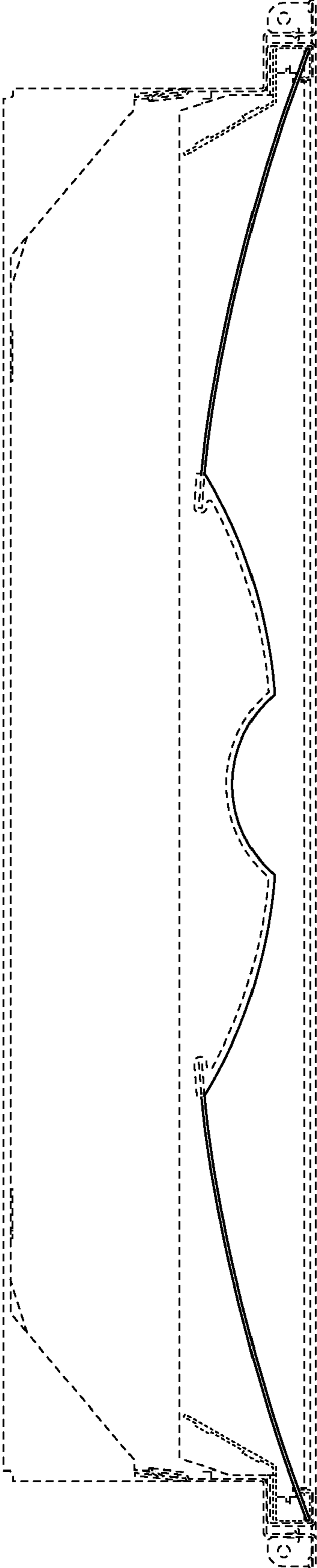


FIG. 3

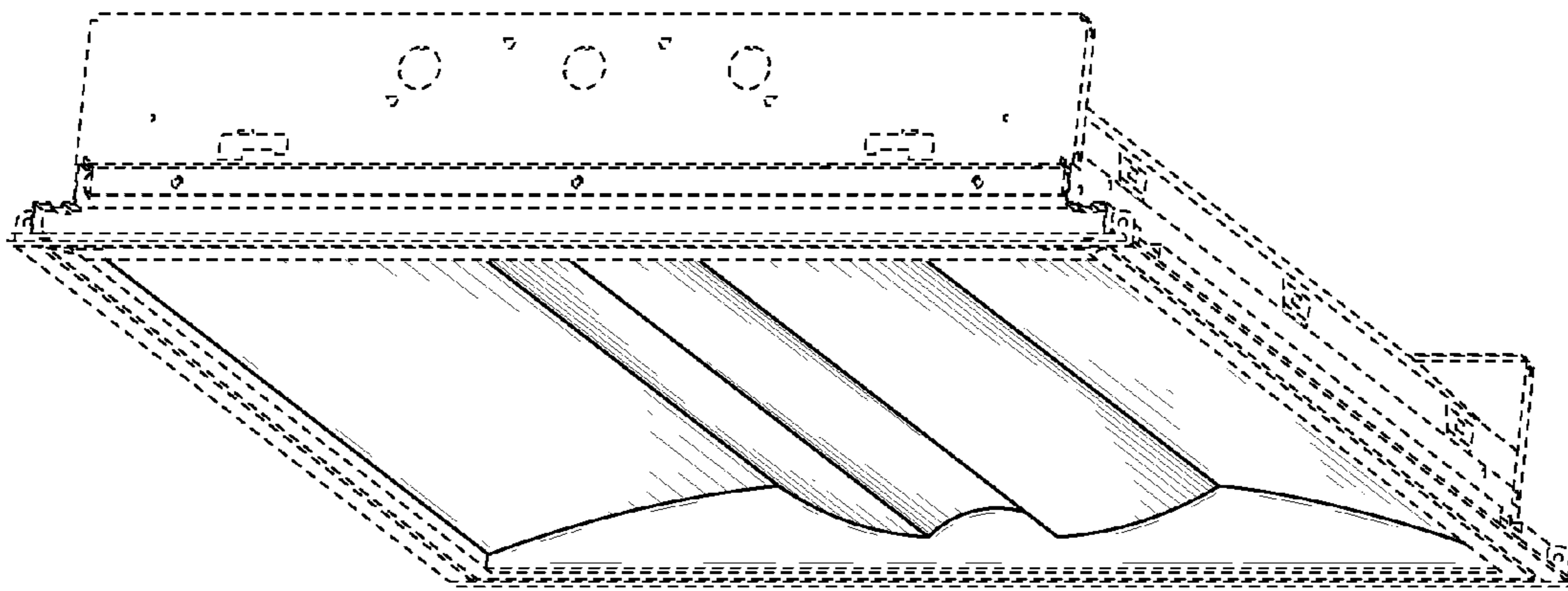


FIG. 4

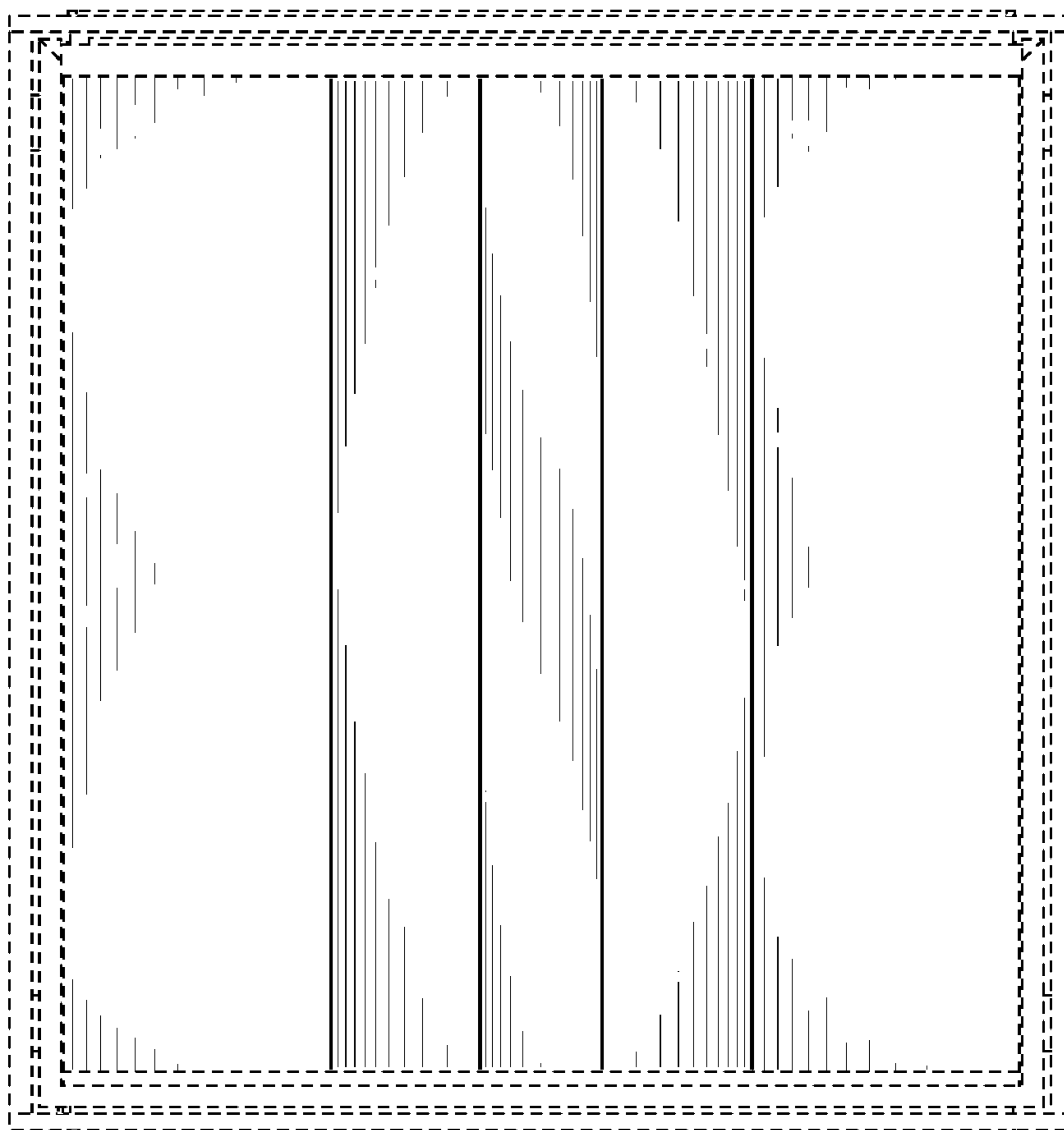


FIG. 5

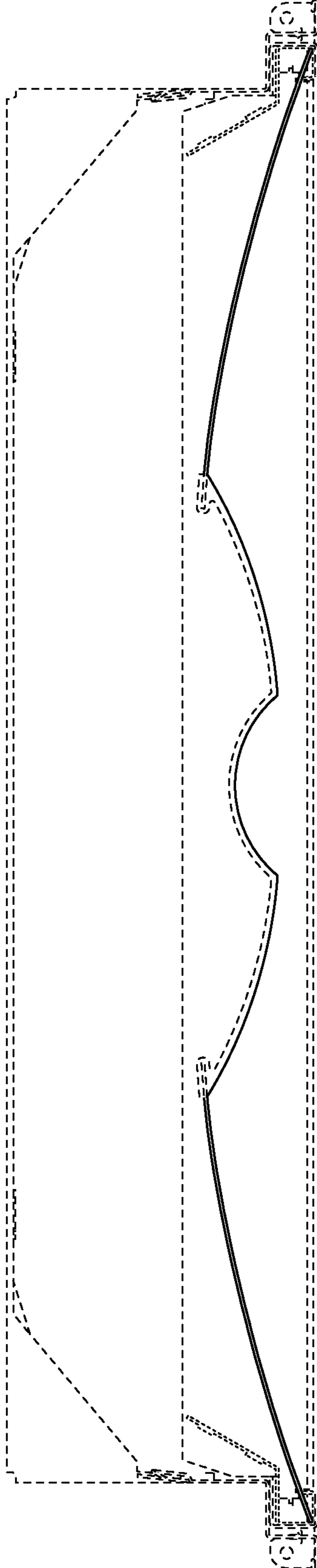


FIG. 6