

US00D665117S

(12) **United States Design Patent**  
**Yoshida et al.**

(10) **Patent No.:** **US D665,117 S**

(45) **Date of Patent:** **\*\* Aug. 7, 2012**

(54) **RECESSED LIGHTING FIXTURE**  
(75) Inventors: **Kazufumi Yoshida**, Kanagawa (JP);  
**Toshifumi Masuda**, Kanagawa (JP);  
**Yaeko Sugiyama**, Kanagawa (JP);  
**Akihito Shinozaki**, Kanagawa (JP)

(73) Assignee: **Toshiba Lighting & Technology Corporation**, Kanagawa (JP)

(\*\*) Term: **14 Years**

(21) Appl. No.: **29/404,778**

(22) Filed: **Oct. 25, 2011**

(30) **Foreign Application Priority Data**

Apr. 27, 2011 (JP) ..... 2011-009768

(51) **LOC (9) Cl.** ..... **26-05**

(52) **U.S. Cl.** ..... **D26/74**

(58) **Field of Classification Search** ..... D26/74,  
D26/72, 113, 118, 133, 134, 136, 24, 59,  
D26/63, 75, 76, 77, 78, 79, 80, 81, 82, 83,  
D26/84, 85, 138; 362/126, 145, 146, 147,  
362/148, 150, 151, 152, 153, 153.1, 218,  
362/217.05, 217.06, 217.07, 294, 296.01,  
362/296.07, 296.08, 311.01, 311.07, 311.09,  
362/345, 364, 365, 366, 373; D23/379  
See application file for complete search history.

(56) **References Cited**

**U.S. PATENT DOCUMENTS**

D383,564 S \* 9/1997 Lecluze ..... D26/118  
D386,277 S \* 11/1997 Lecluze ..... D26/74

D397,472 S \* 8/1998 Lecluze ..... D26/118  
D397,490 S \* 8/1998 Lecluze ..... D26/118  
D399,590 S \* 10/1998 Lecluze ..... D26/118  
D473,965 S \* 4/2003 Lecluze ..... D26/74  
D473,966 S \* 4/2003 Lecluze ..... D26/74  
D488,251 S \* 4/2004 Benghozi ..... D26/118  
D548,389 S \* 8/2007 Lecluze ..... D26/138  
D574,541 S \* 8/2008 Matsumoto et al. .... D26/74  
D609,840 S \* 2/2010 Tang ..... D26/74  
D632,822 S \* 2/2011 Bitton  
D634,045 S \* 3/2011 Yoshida et al. .... D26/74  
D636,922 S \* 4/2011 Yoshida et al. .... D26/74

\* cited by examiner

*Primary Examiner* — Angela J Lee

(74) *Attorney, Agent, or Firm* — J.C. Patents

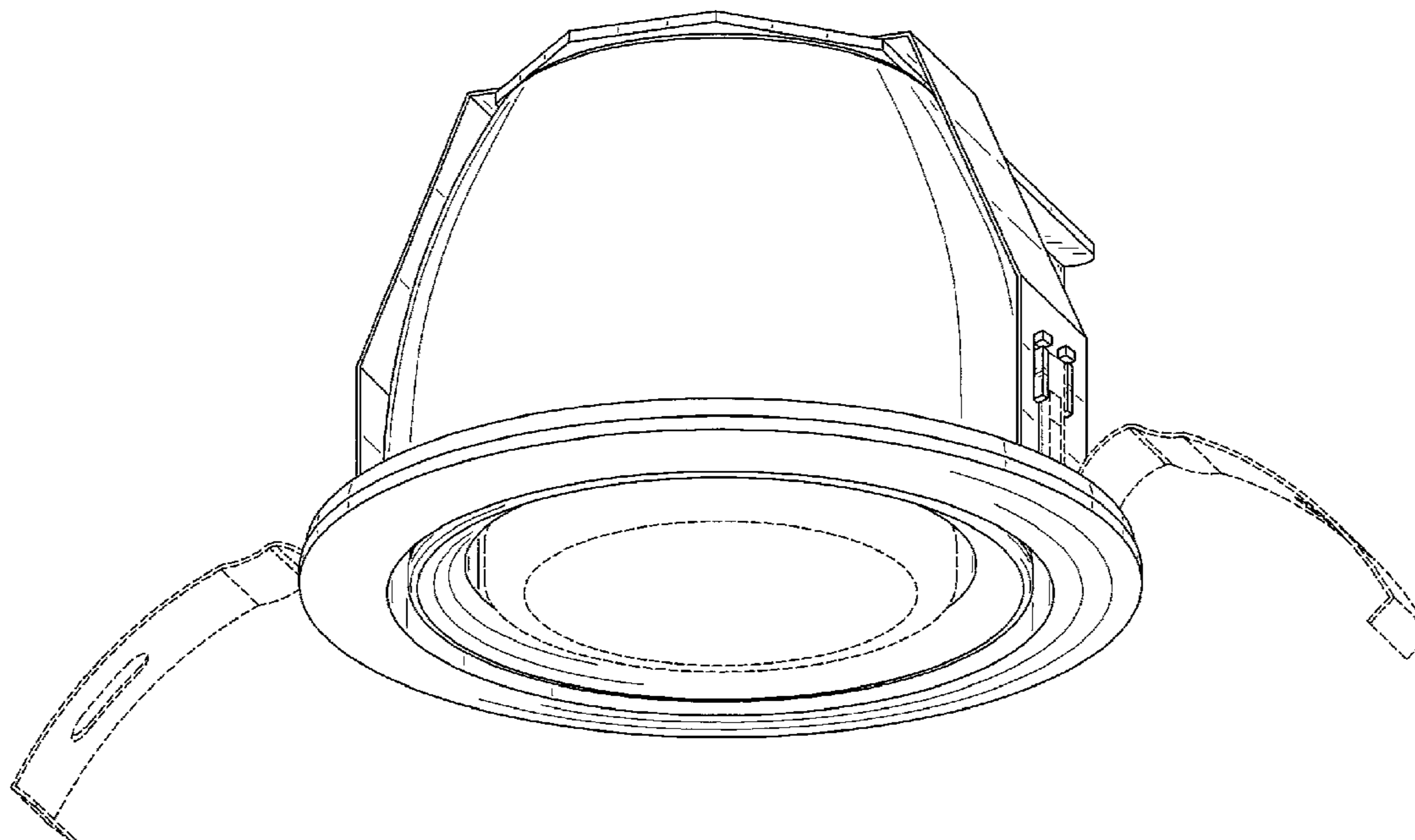
(57) **CLAIM**

The ornamental design for a recessed lighting fixture, as shown and described.

**DESCRIPTION**

FIG. 1 is a perspective view of a recessed lighting fixture showing our new design;  
FIG. 2 is a front view thereof;  
FIG. 3 is a rear view thereof;  
FIG. 4 is a right side view thereof, the left side view being a mirror image of the right side view;  
FIG. 5 is a top view thereof;  
FIG. 6 is a bottom view thereof; and,  
FIG. 7 is a cross-sectional view taken along line 7-7 in FIG. 2. The portions shown in broken lines form no part of the claimed design. The portion shown in double cross-hatched lines in FIG. 7 is translucent.

**1 Claim, 7 Drawing Sheets**



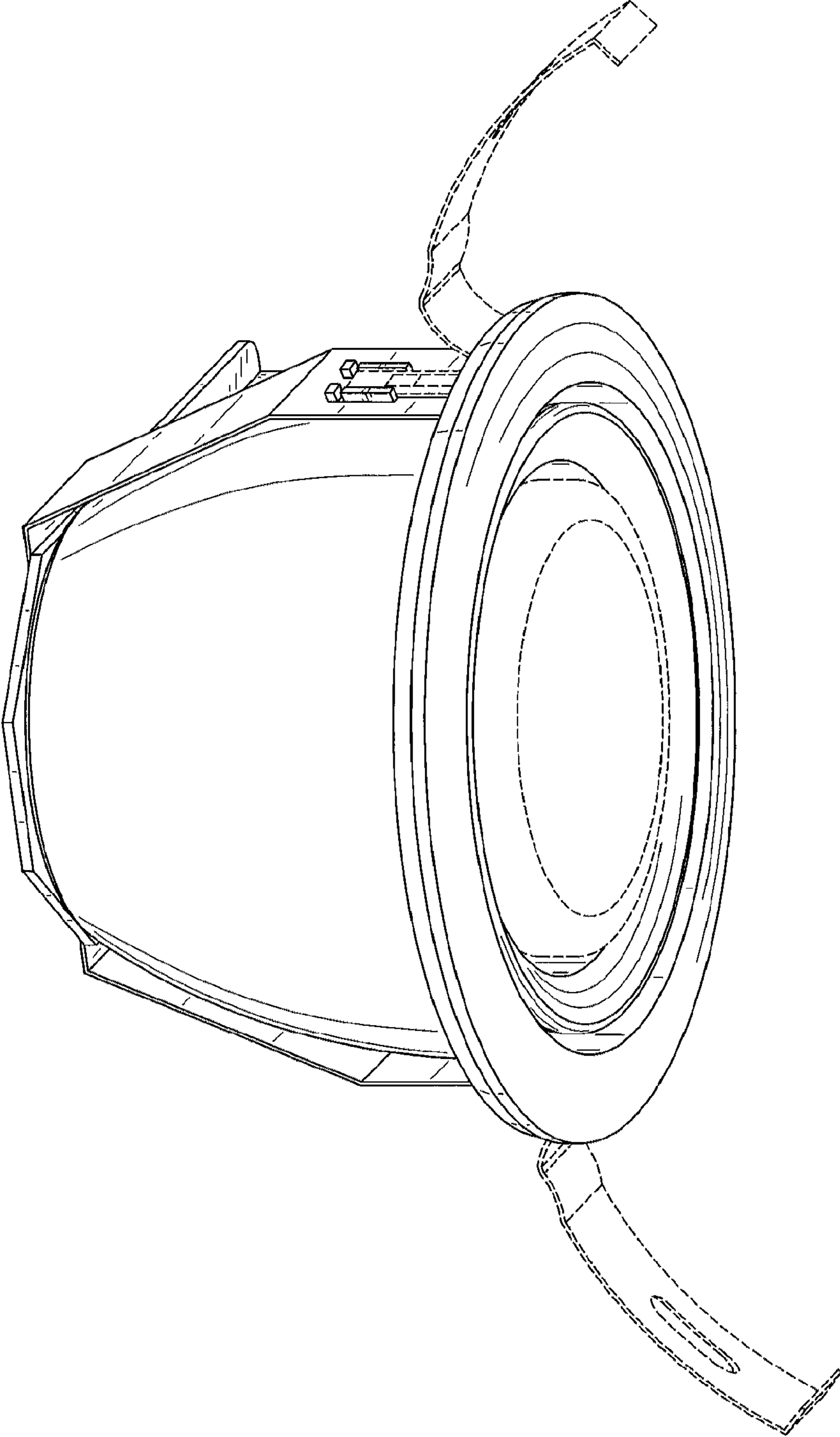


FIG. 1

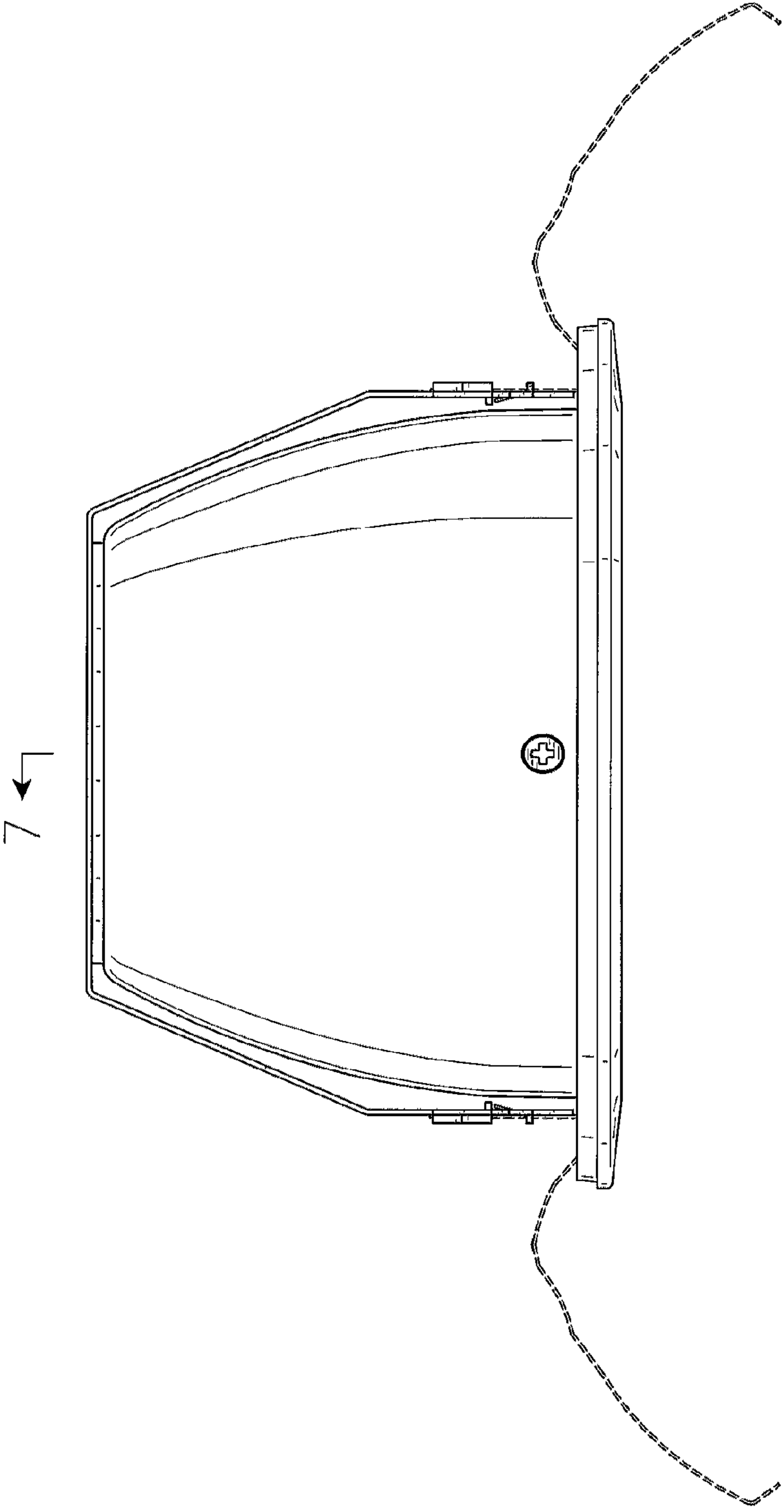


FIG. 2

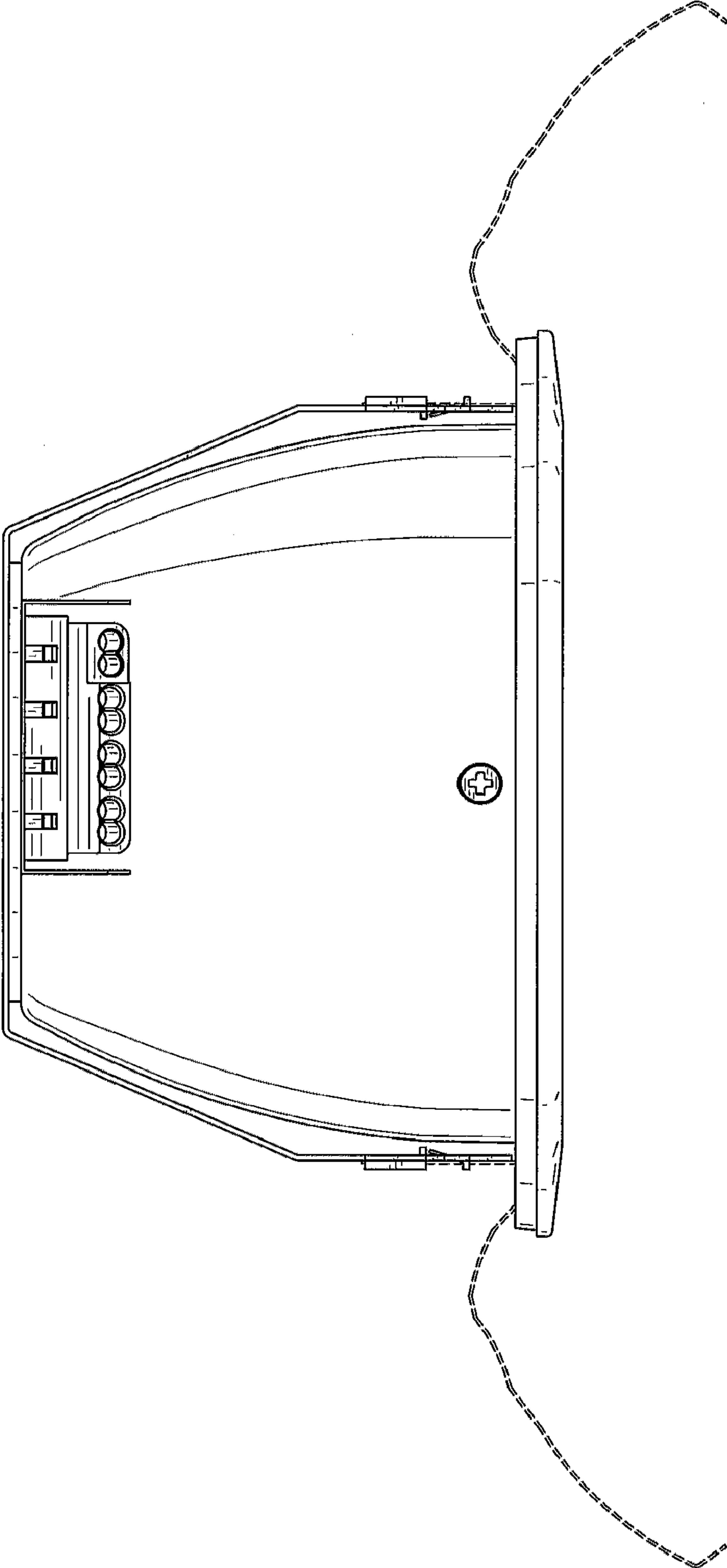


FIG. 3

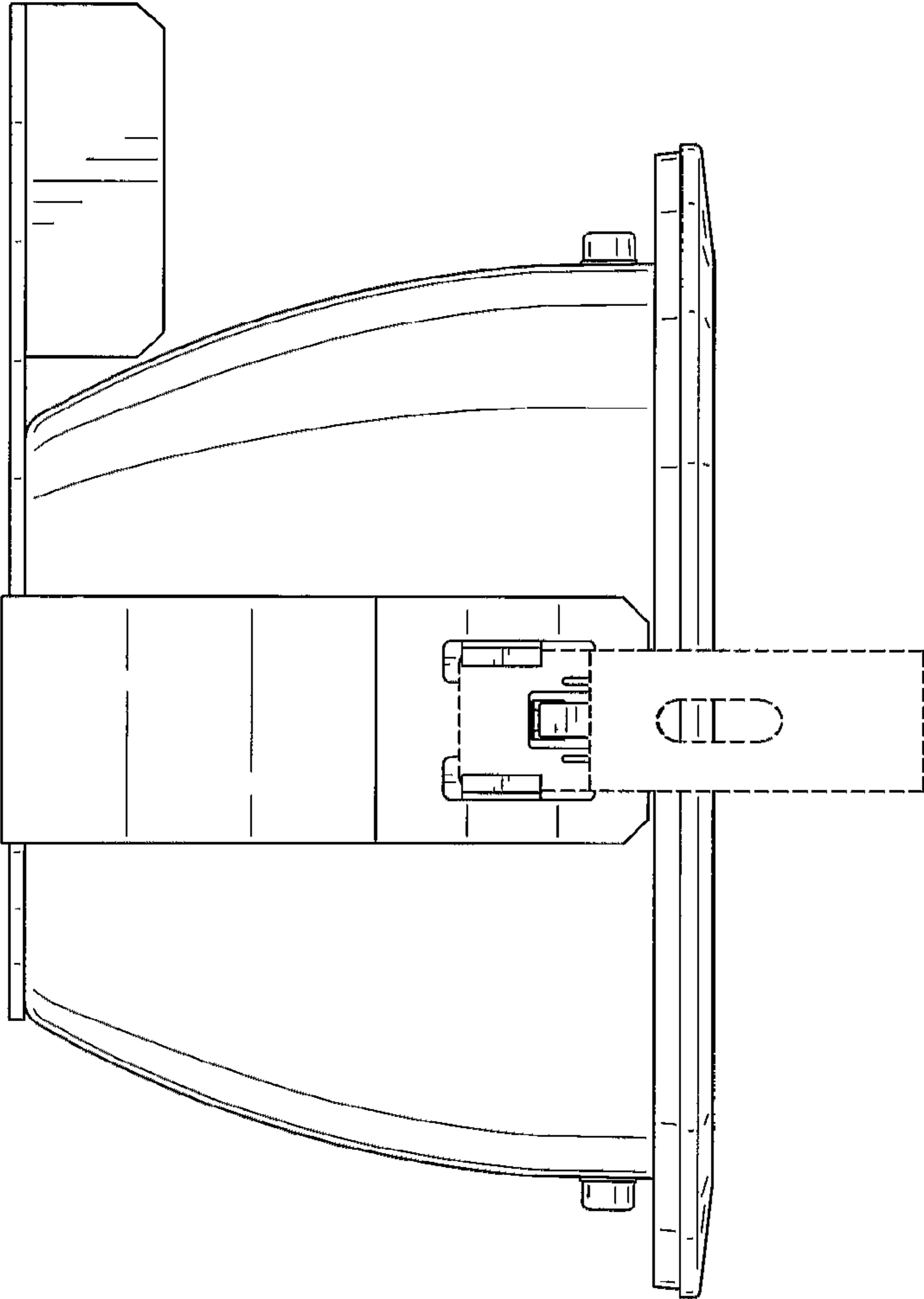


FIG. 4

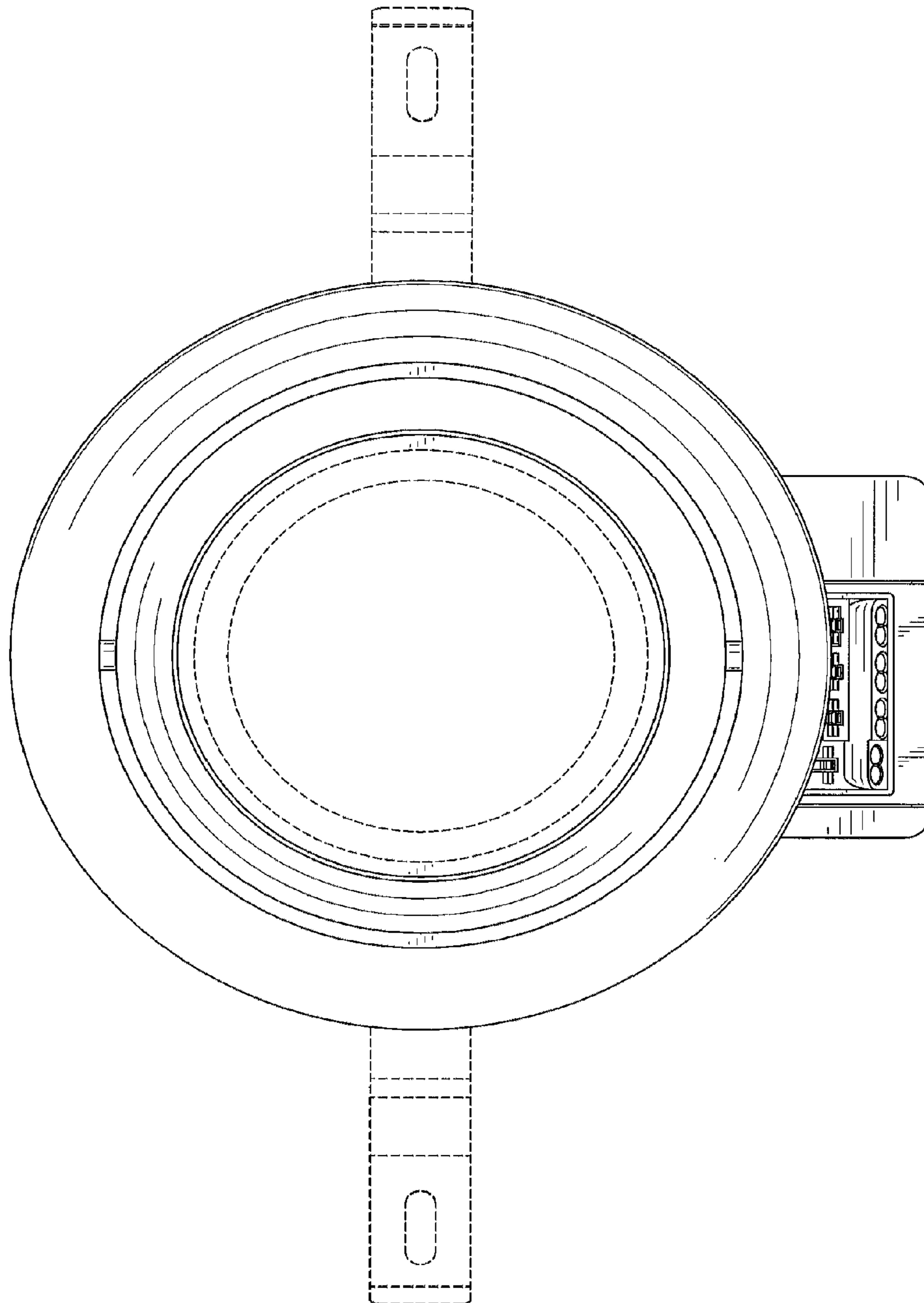


FIG. 5

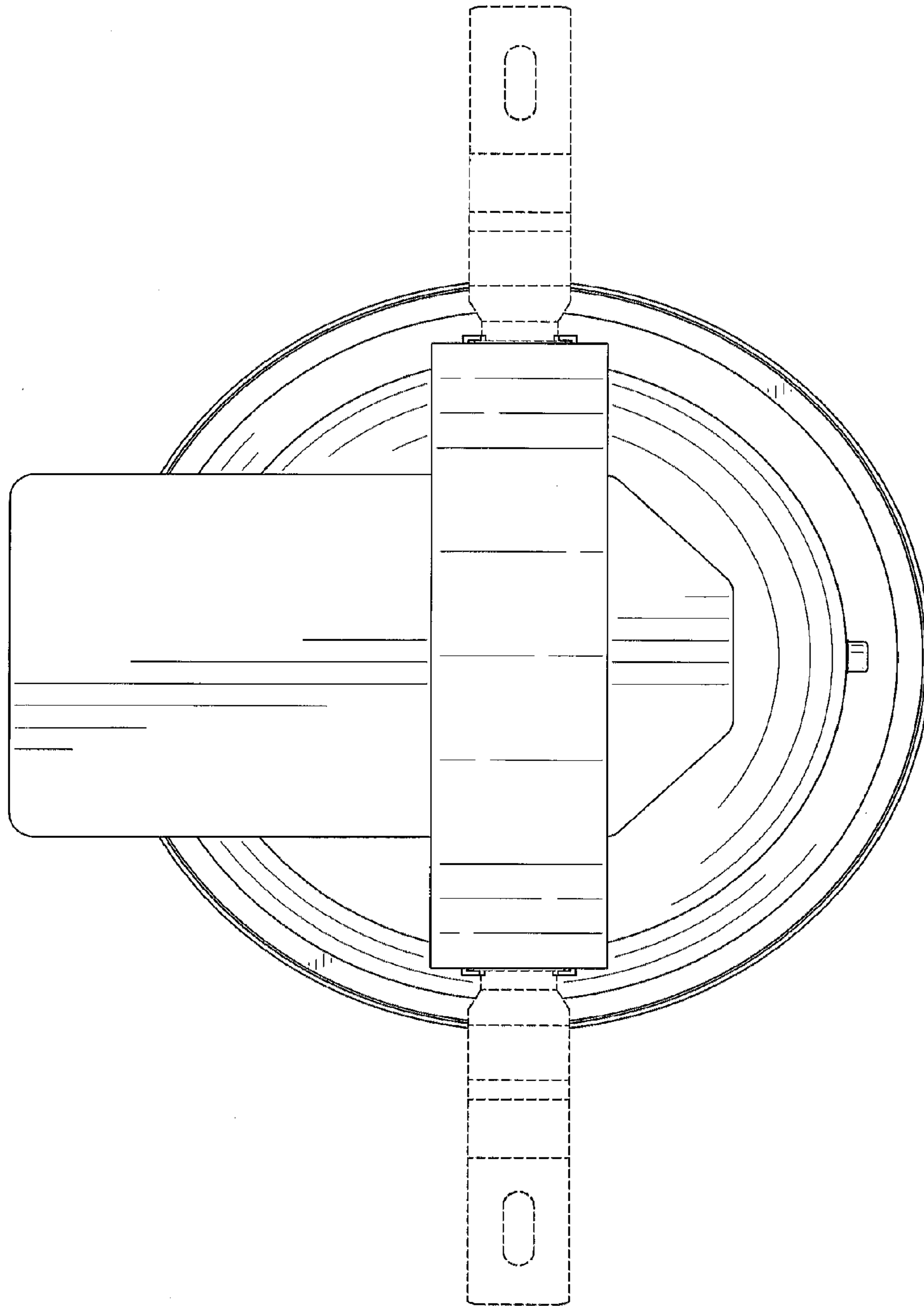


FIG. 6

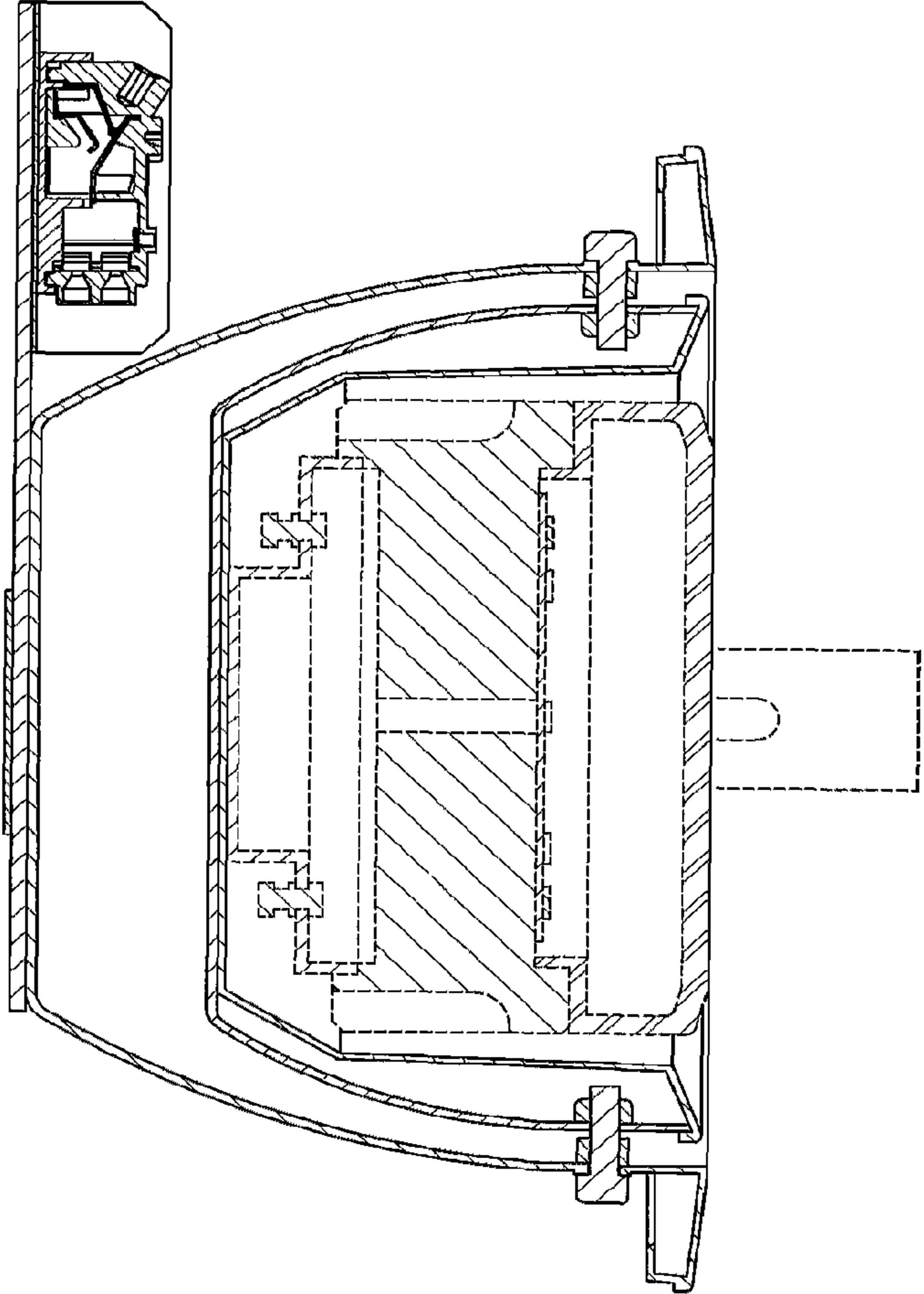


FIG. 7