

US00D665116S

(12) **United States Design Patent**  
**Chien**

(10) **Patent No.:** **US D665,116 S**

(45) **Date of Patent:** **\*\* Aug. 7, 2012**

(54) **TABLE LAMP**

(76) **Inventor:** **Wen-Ching Chien**, Taoyuan County  
(TW)

(\*\*) **Term:** **14 Years**

(21) **Appl. No.:** **29/403,367**

(22) **Filed:** **Oct. 5, 2011**

(51) **LOC (9) Cl.** ..... **26-05**

(52) **U.S. Cl.** ..... **D26/65; D26/94**

(58) **Field of Classification Search** ..... D26/60-66,  
D26/94, 125, 51, 57; D11/157; 362/220,  
362/253, 410-414, 418, 419, 427, 401, 449,  
362/269, 270, 274, 275, 277, 278, 280-285,  
362/287, 288, 806, 421, 273, 311.13, 271,  
362/289, 319

See application file for complete search history.

(56) **References Cited**

**U.S. PATENT DOCUMENTS**

D304,093 S \* 10/1989 Holter ..... D26/94  
D328,150 S \* 7/1992 Tseng ..... D26/94  
D342,802 S \* 12/1993 Barletta ..... D26/94

D343,696 S \* 1/1994 Ruxer ..... D26/94  
D348,323 S \* 6/1994 Tseng ..... D26/94  
D508,142 S \* 8/2005 Lizarraga ..... D26/94  
D514,734 S \* 2/2006 Lo ..... D26/94

\* cited by examiner

*Primary Examiner* — Susan M Lee

*Assistant Examiner* — Linda G. Brooks

(57) **CLAIM**

The ornamental design for a table lamp, as shown and described.

**DESCRIPTION**

FIG. 1 is a perspective view of a table lamp showing my new design;

FIG. 2 is a front elevational view thereof;

FIG. 3 is a rear elevational view thereof;

FIG. 4 is a left side elevational view thereof;

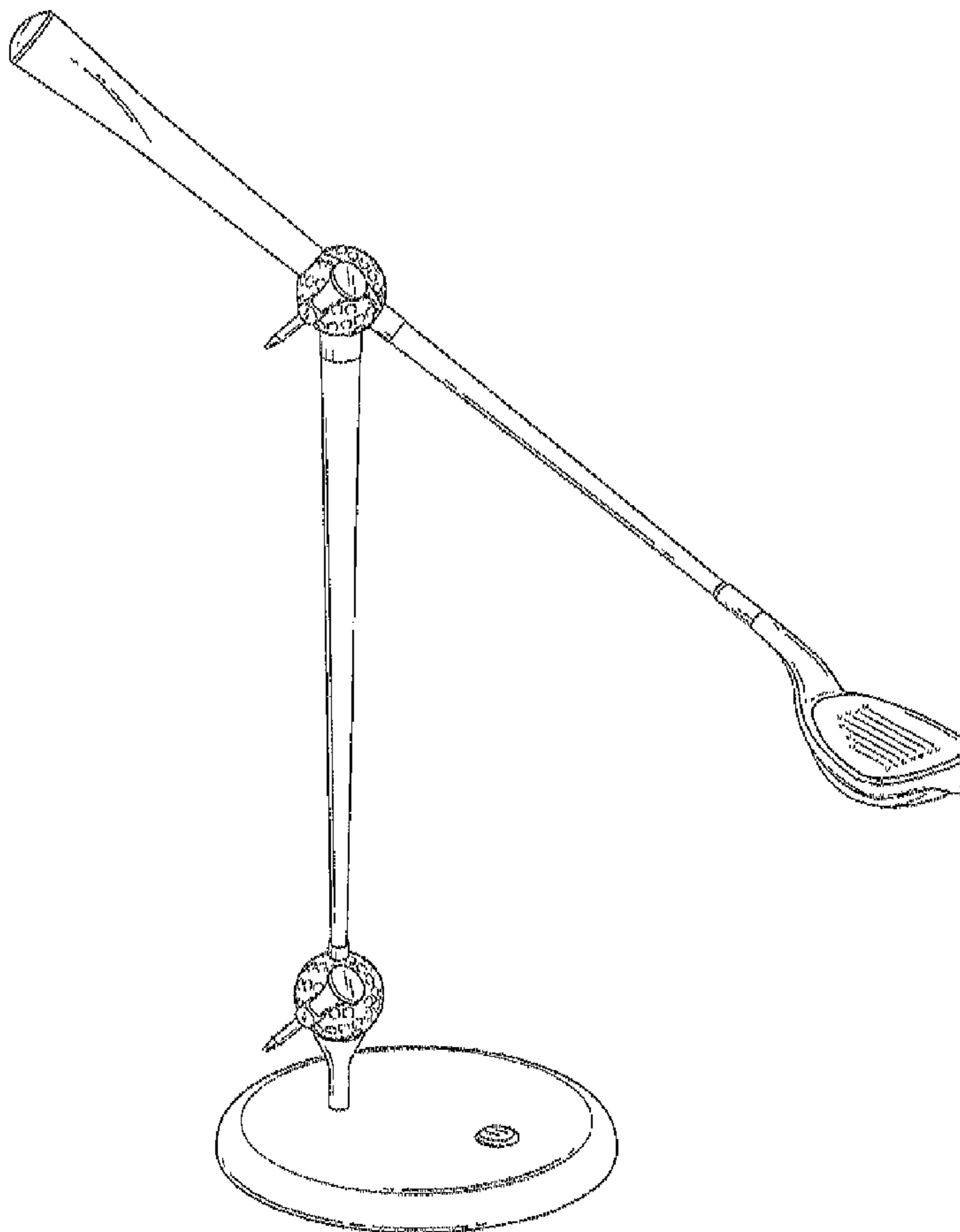
FIG. 5 is a right side elevational view thereof;

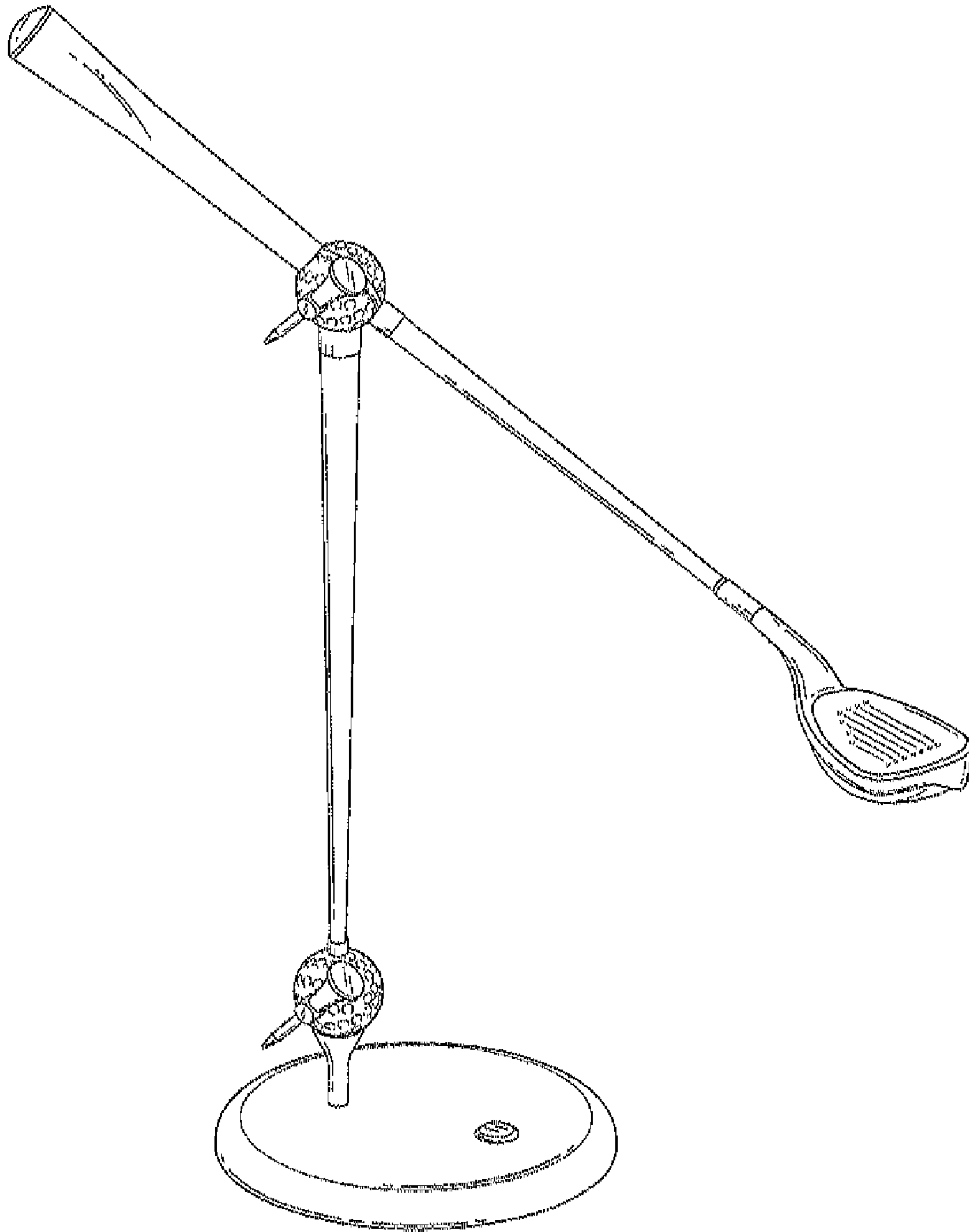
FIG. 6 is a top plan view thereof;

FIG. 7 is a bottom plan view thereof; and,

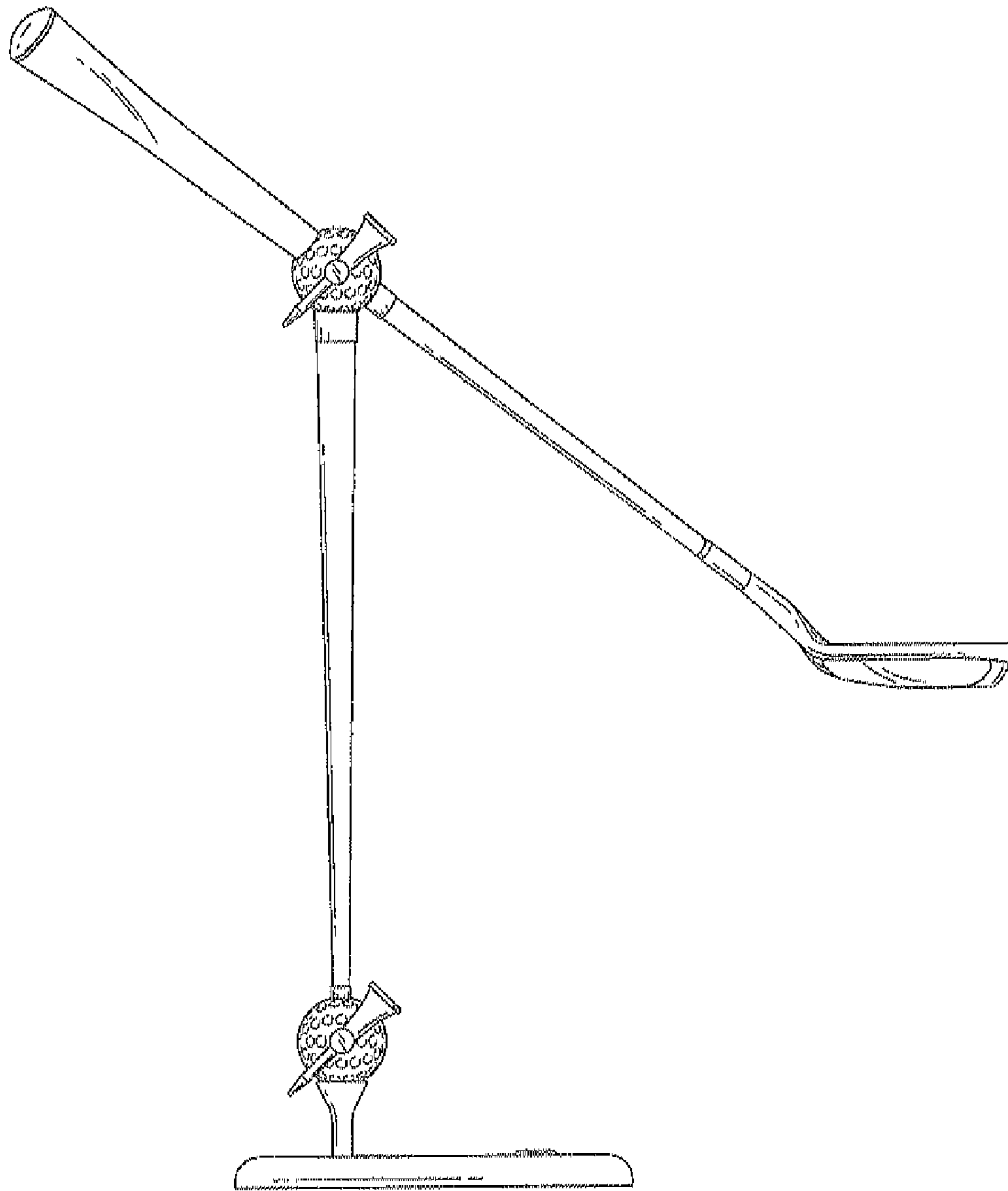
FIG. 8 is a front elevational view thereof, shown in an alternate position.

**1 Claim, 6 Drawing Sheets**

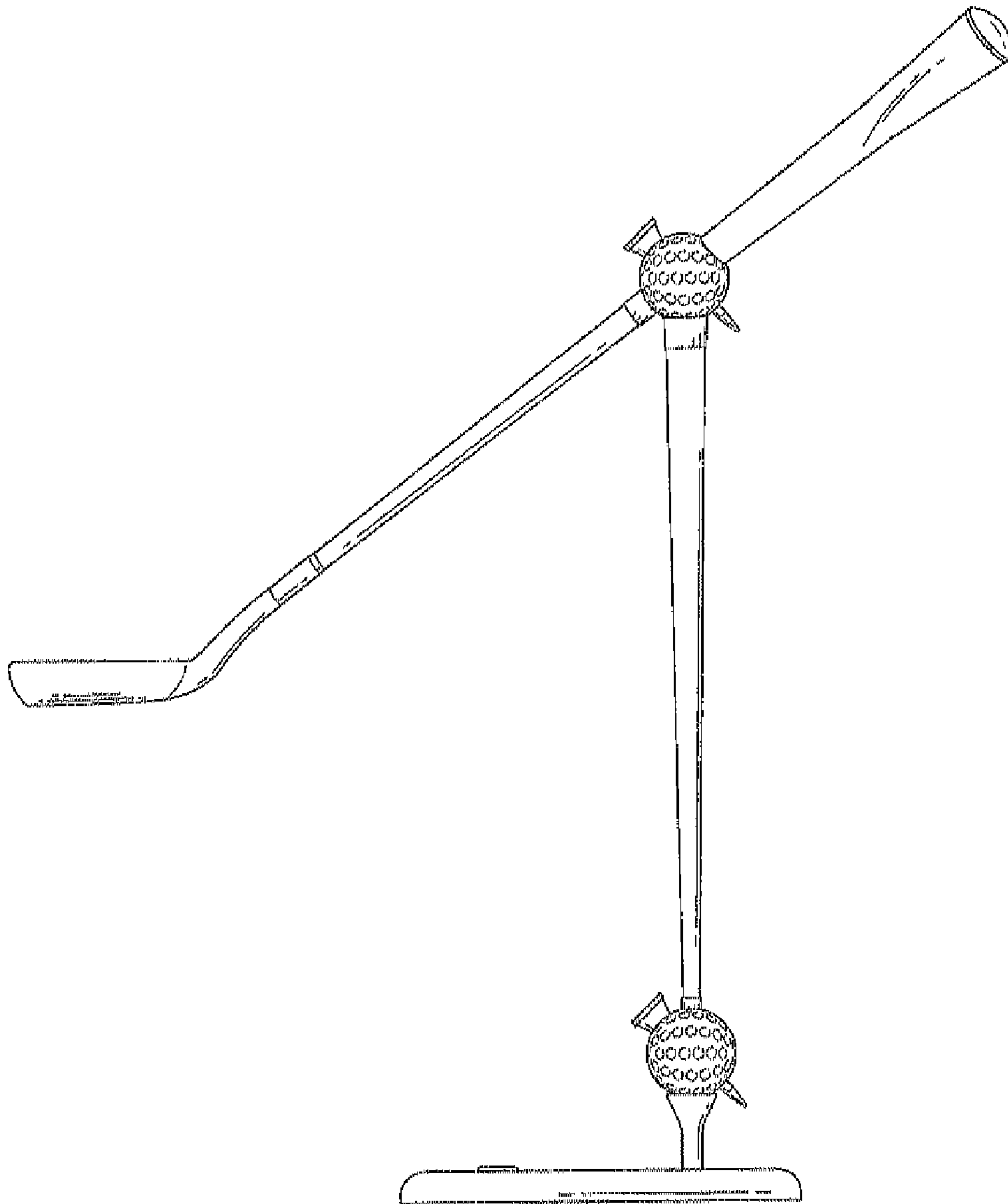




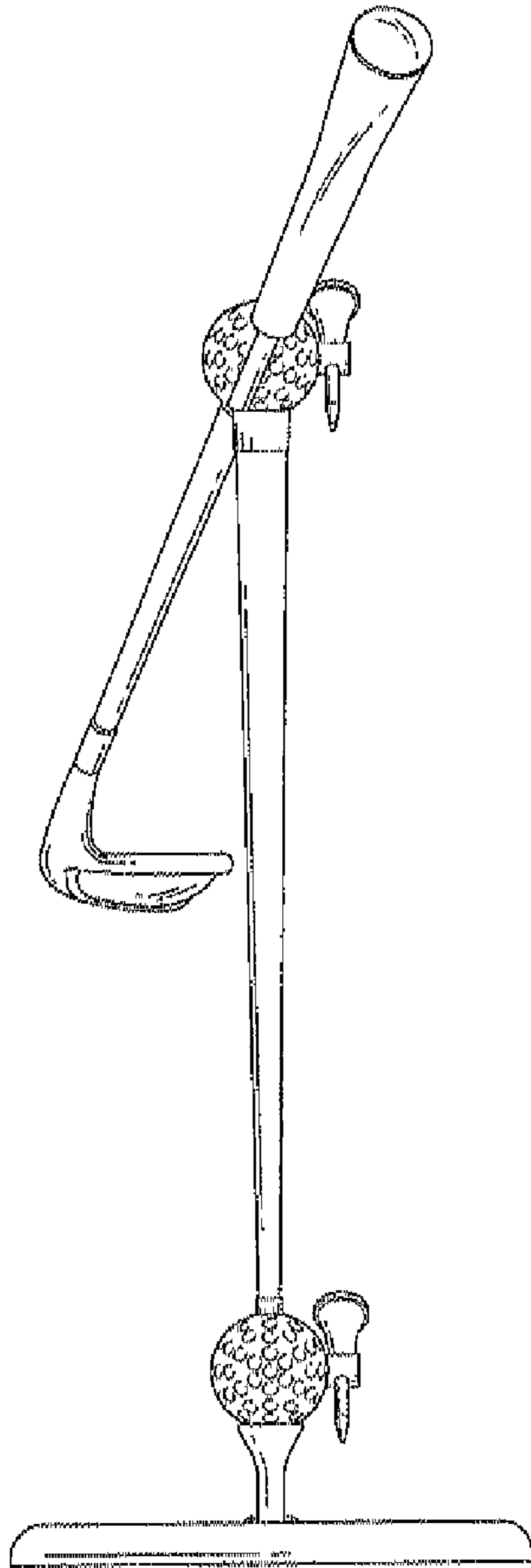
**FIG. 1**



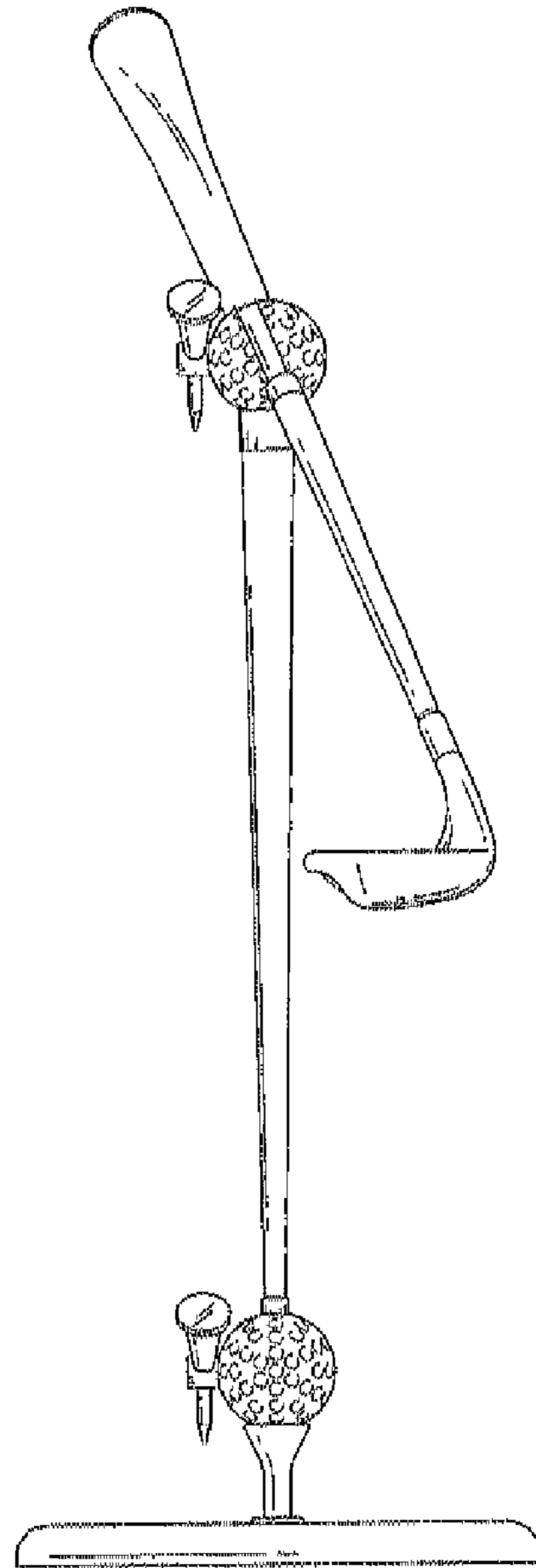
**FIG. 2**



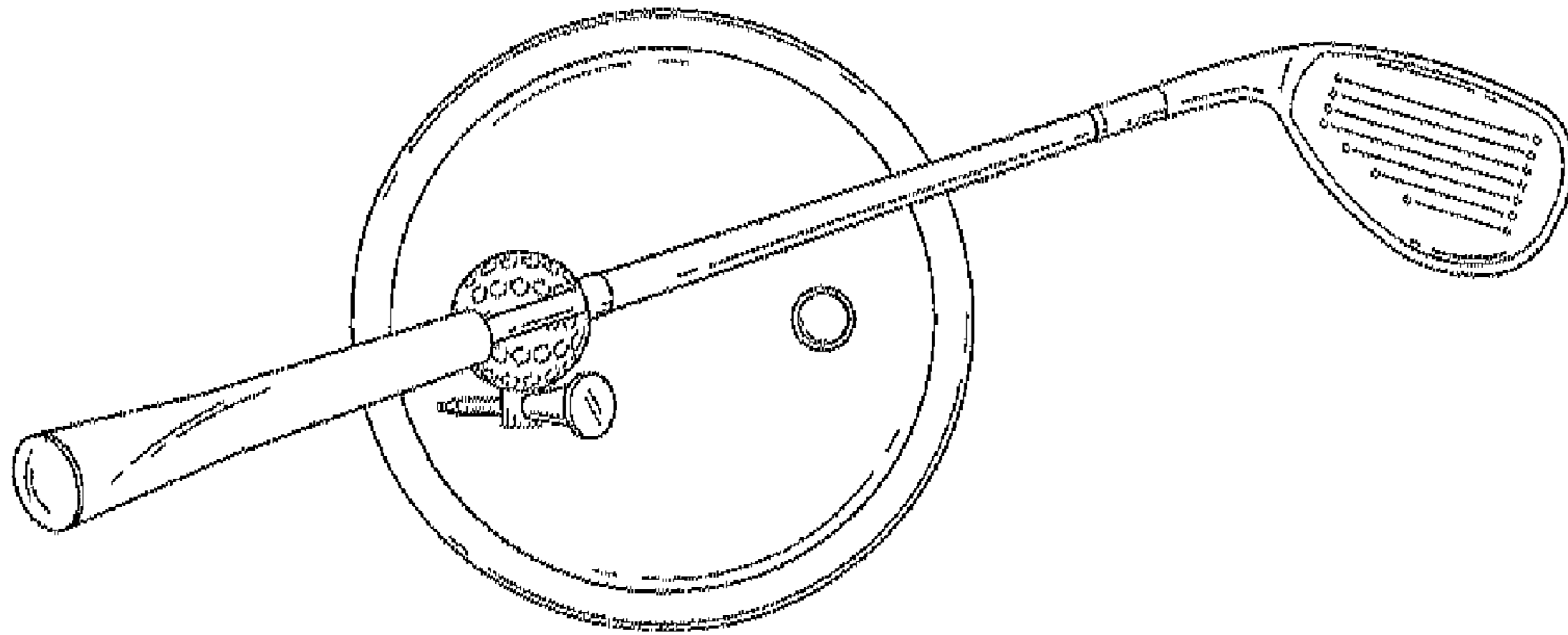
**FIG.3**



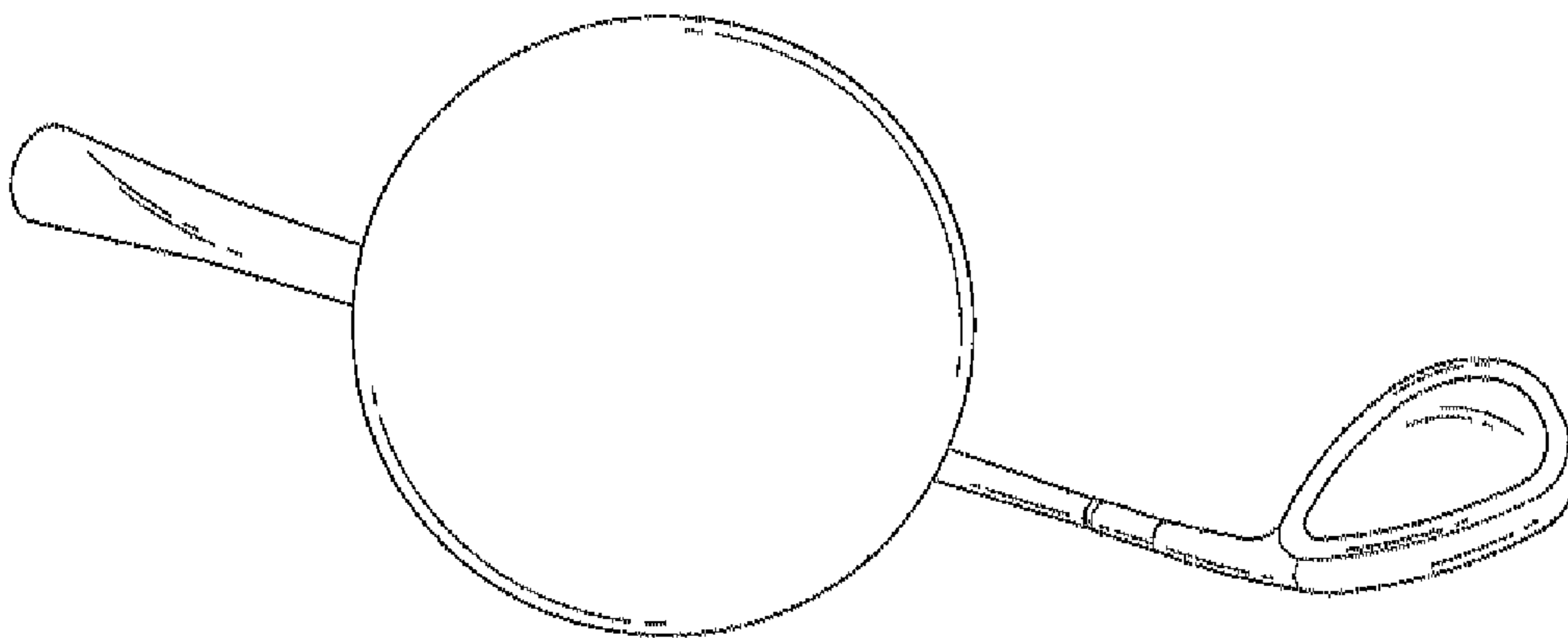
**FIG. 4**



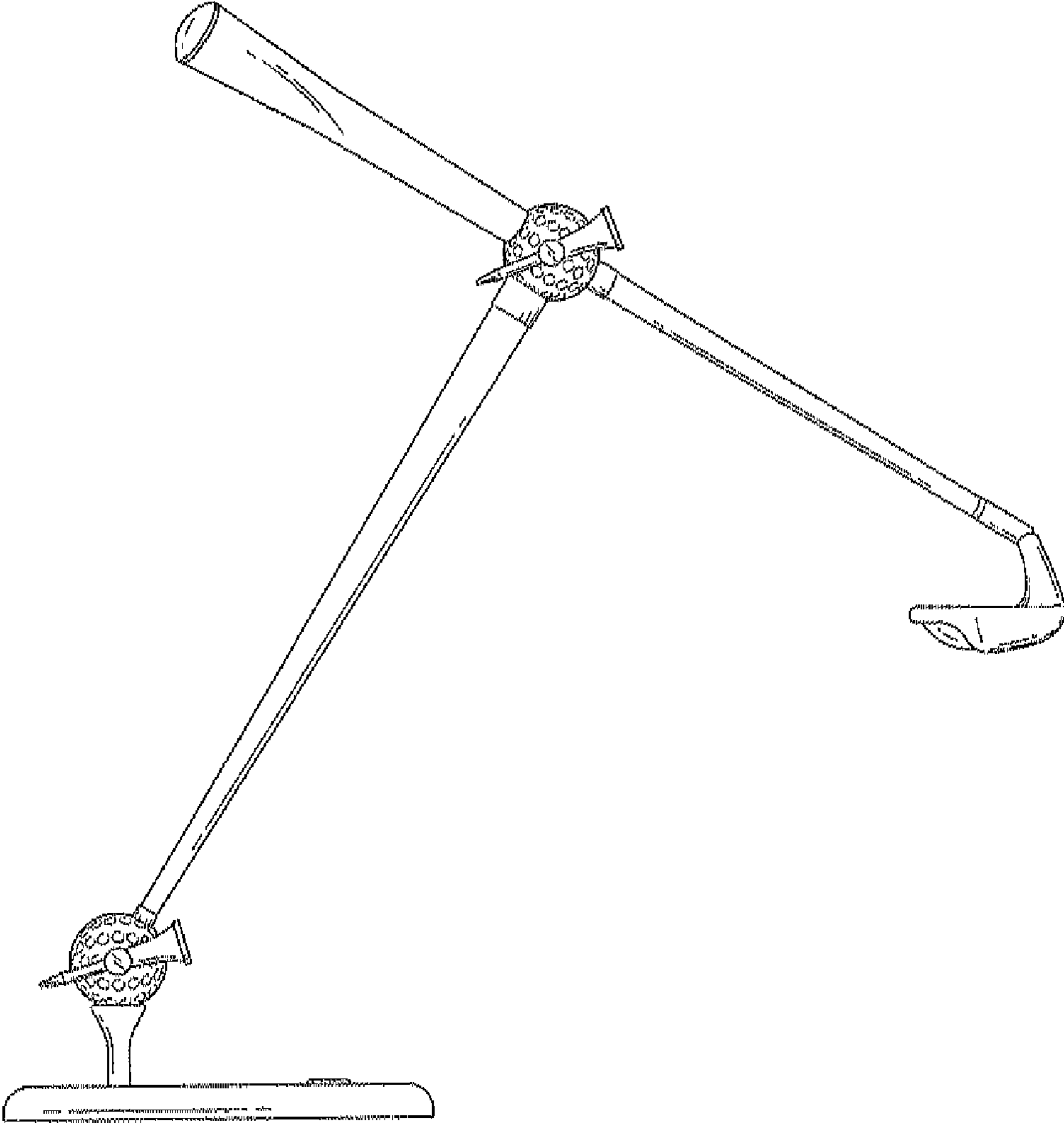
**FIG. 5**



**FIG. 6**



**FIG. 7**



**FIG.8**