

US00D665113S

(12) **United States Design Patent**
Perkins

(10) **Patent No.:** **US D665,113 S**

(45) **Date of Patent:** **** Aug. 7, 2012**

(54) **BOAT RUNNING LIGHT**

(75) Inventor: **Frederick M. Perkins**, Ft. Lauderdale,
FL (US)

(73) Assignee: **Perko, Inc.**, Miami, FL (US)

(**) Term: **14 Years**

(21) Appl. No.: **29/406,607**

(22) Filed: **Nov. 16, 2011**

Related U.S. Application Data

(62) Division of application No. 29/314,377, filed on Mar.
25, 2009, now Pat. No. Des. 652,161.

(51) **LOC (9) Cl.** **26-06**

(52) **U.S. Cl.** **D26/28**

(58) **Field of Classification Search** D26/28–36;
362/459–468, 475–478, 485–487
See application file for complete search history.

(56) **References Cited**

U.S. PATENT DOCUMENTS

D493,351 S *	7/2004	Wegman	D8/323
D515,228 S *	2/2006	Gebhard et al.	D26/28
D528,230 S *	9/2006	Nagano	D26/28

D532,126 S *	11/2006	Kinzel et al.	D26/28
D544,113 S *	6/2007	Ueda et al.	D26/28
D575,424 S *	8/2008	Gebhard et al.	D26/28
D582,084 S *	12/2008	Gebhard et al.	D26/28
D597,237 S *	7/2009	Kumthampinij et al.	D26/61
D652,161 S *	1/2012	Perkins	D26/28

* cited by examiner

Primary Examiner — Marcus Jackson

(74) *Attorney, Agent, or Firm* — Lawrence E. Laubscher, Sr.;
Lawrence E. Laubscher, Jr.

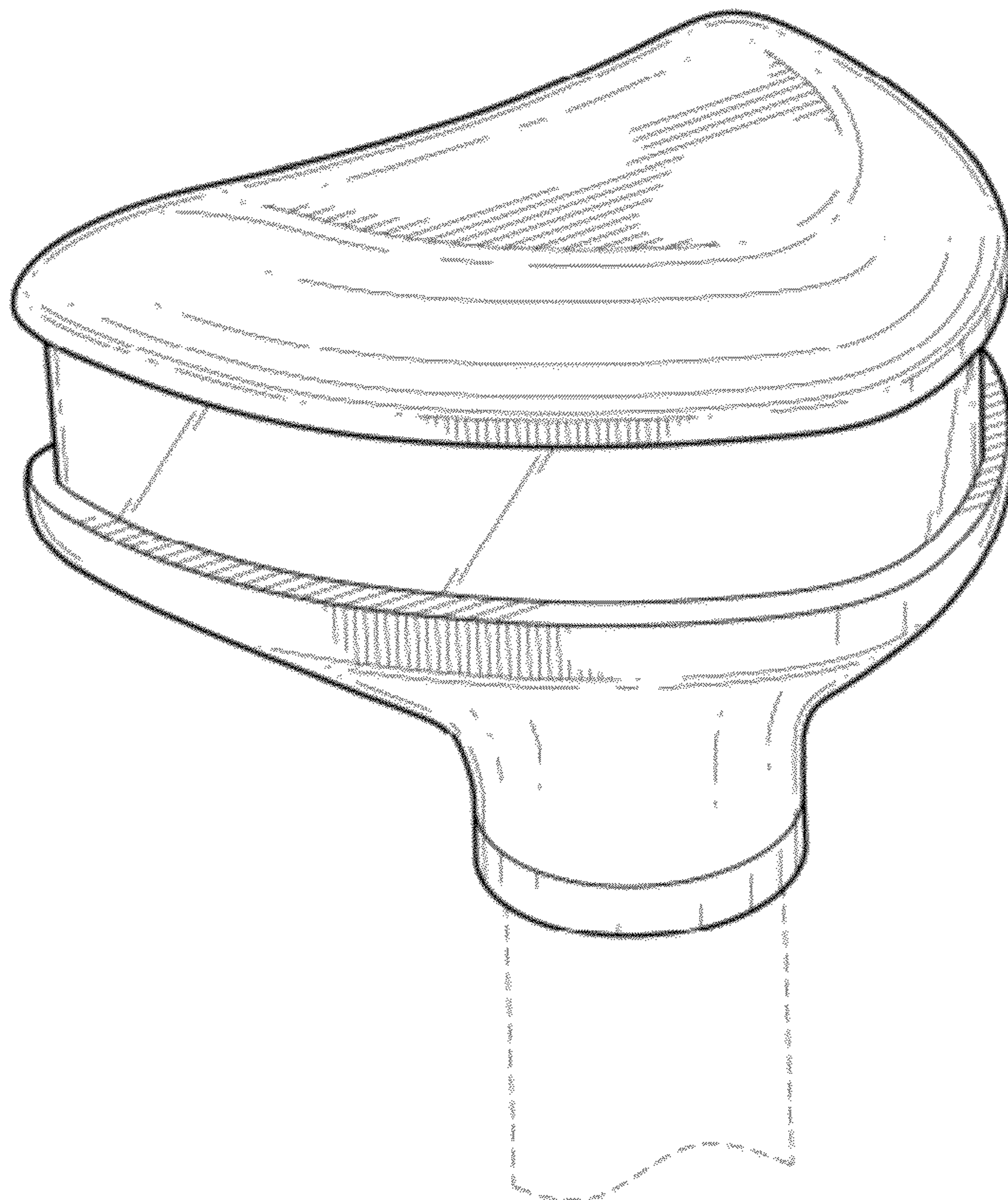
(57) **CLAIM**

The ornamental design for a boat running light, as shown.

DESCRIPTION

FIG. 1 is a perspective right front view of a stern boat running light embodiment including the design of the present invention;
 FIG. 2 is a front perspective view of the stern boat running light of FIG. 1;
 FIG. 3 is a left rear perspective view of the stern boat running light of FIG. 1;
 FIG. 4 is top view of the stern boat running light of FIG. 1;
 and,
 FIG. 5 is a bottom view of the stern boat running light of FIG. 1.

1 Claim, 3 Drawing Sheets



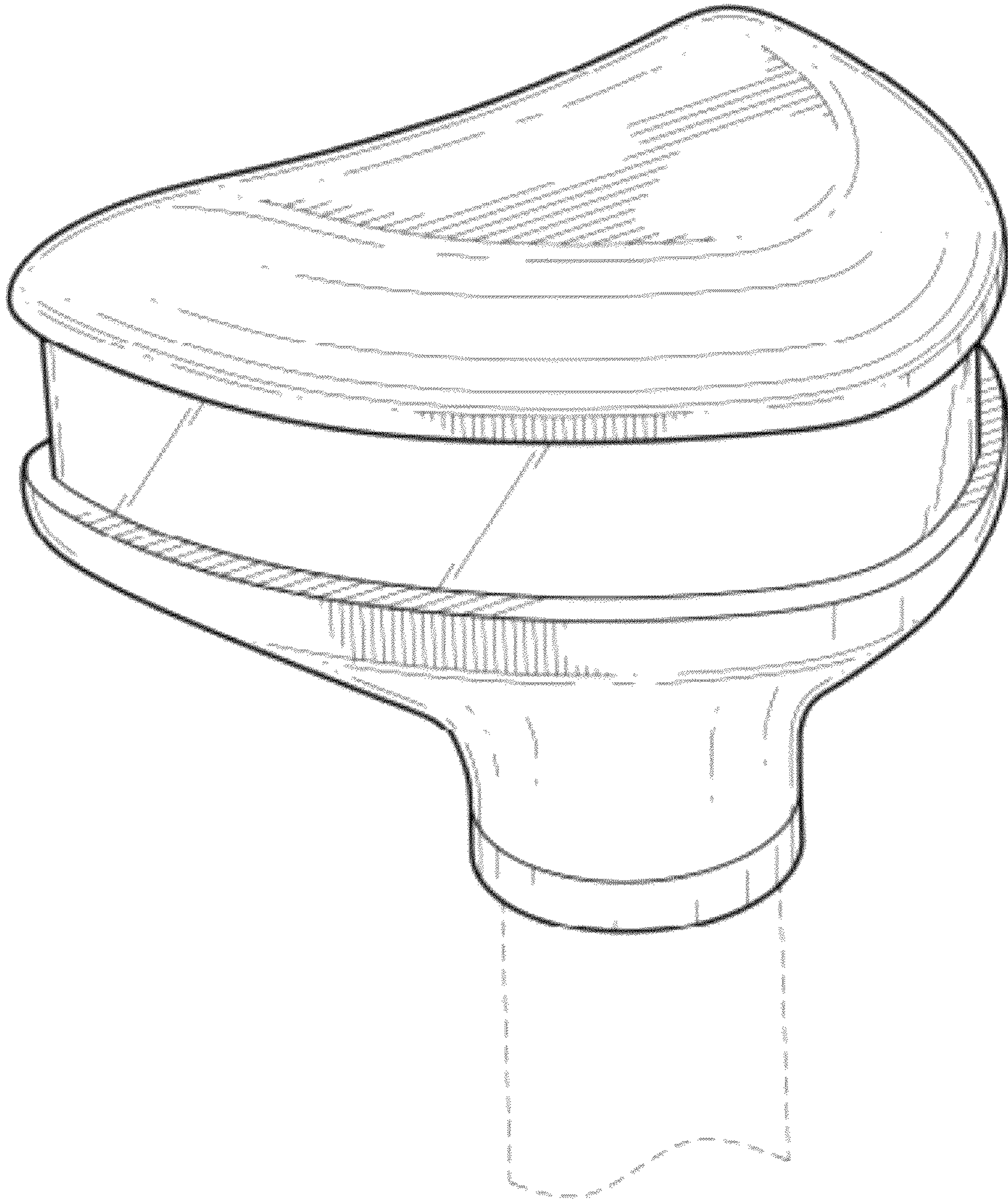


FIG. 1

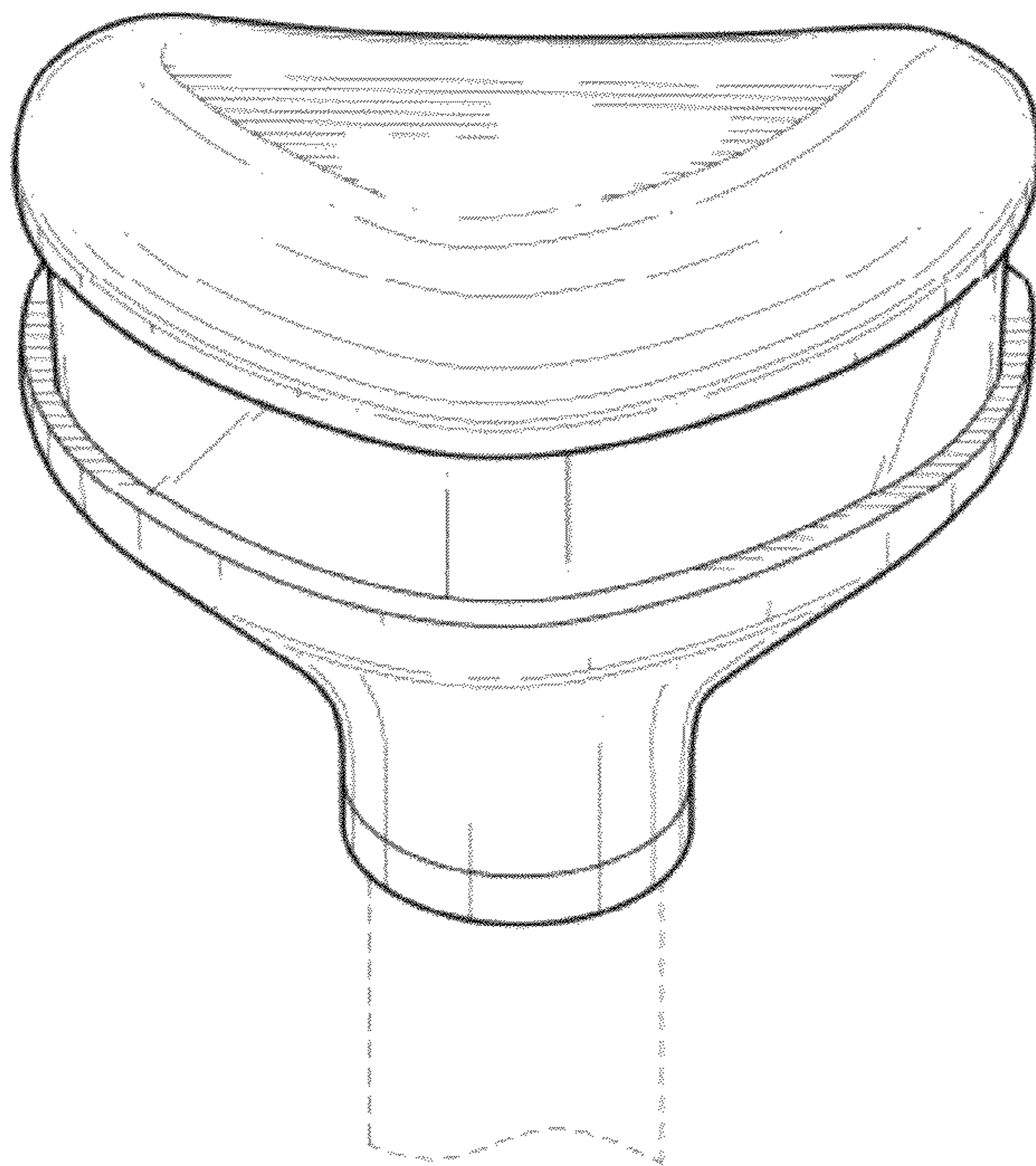


FIG. 2

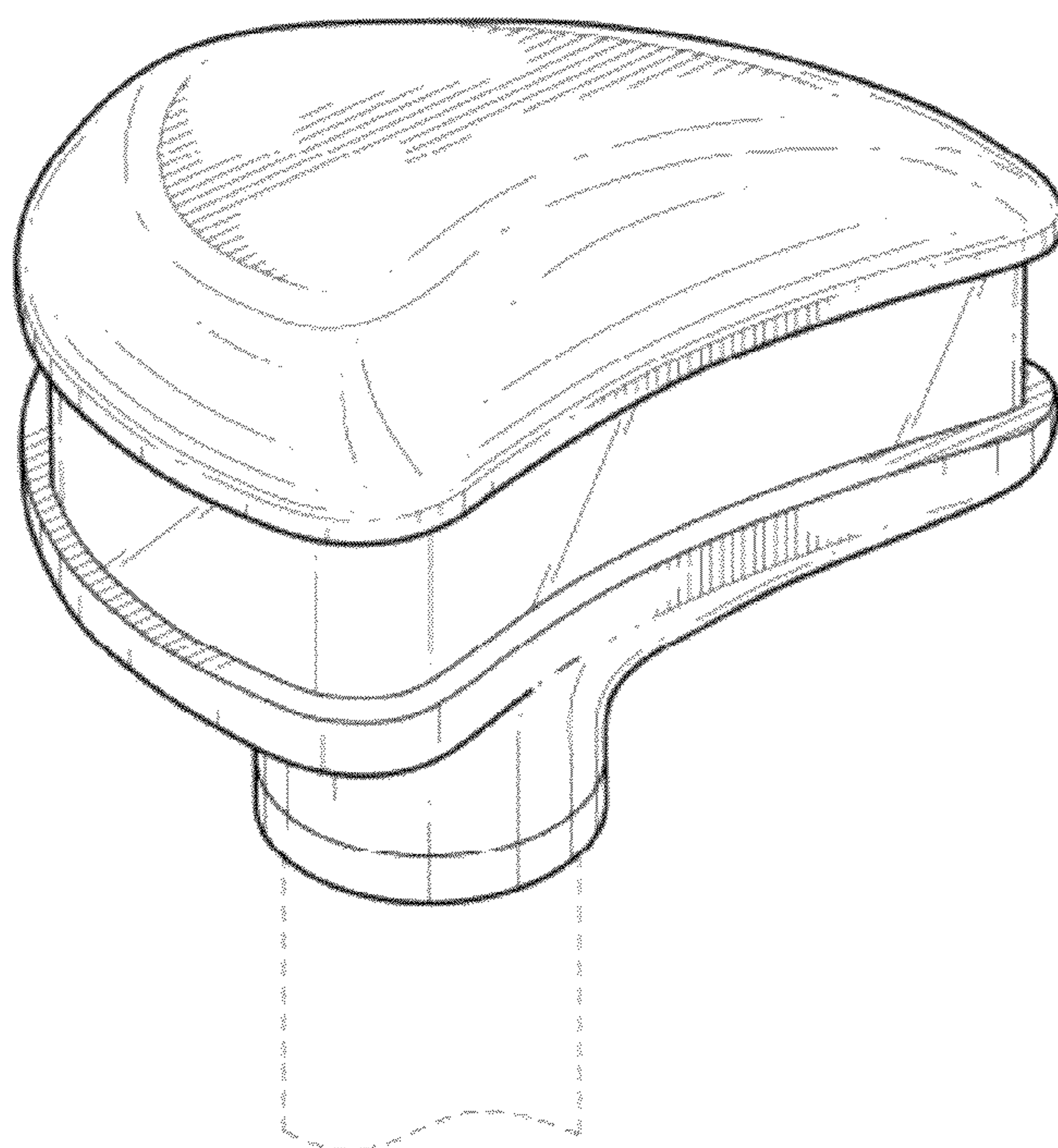


FIG. 3



FIG. 4

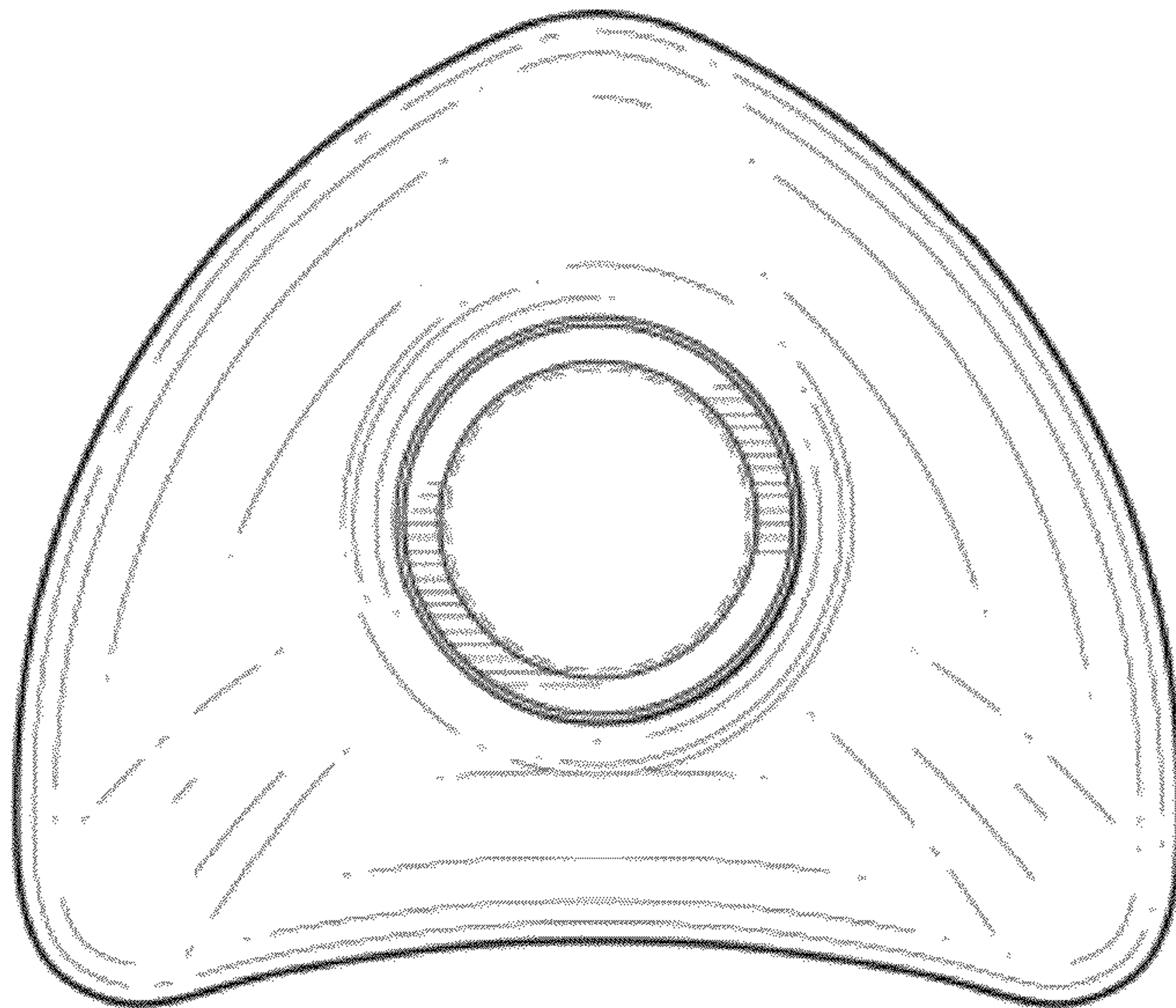


FIG. 5