



US00D665108S

(12) **United States Design Patent**  
**Rein**

(10) **Patent No.:** **US D665,108 S**

(45) **Date of Patent:** **\*\* Aug. 7, 2012**

(54) **COMBINATION CONTAINER AND CANDLE**

(76) **Inventor:** **Gary Rein**, New York, NY (US)

(\*\*) **Term:** **14 Years**

(21) **Appl. No.:** **29/407,210**

(22) **Filed:** **Nov. 23, 2011**

(51) **LOC (9) Cl.** ..... **26-01**

(52) **U.S. Cl.** ..... **D26/10**

(58) **Field of Classification Search** ..... D26/6-23;  
431/289, 291, 292, 295, 350; D7/598; D11/143;  
D9/500, 503-505, 432, 516

See application file for complete search history.

(56) **References Cited**

**U.S. PATENT DOCUMENTS**

|           |      |         |                |               |
|-----------|------|---------|----------------|---------------|
| 2,945,583 | A    | 12/1959 | Sire           |               |
| 3,077,981 | A    | 2/1963  | Gaspard        |               |
| 3,167,079 | A    | 9/1965  | Weil           |               |
| 5,813,564 | A    | 9/1998  | Luo            |               |
| 6,023,822 | A    | 2/2000  | Luebke         |               |
| 6,044,532 | A    | 4/2000  | Bowling et al. |               |
| D424,719  | S *  | 5/2000  | Freeman        | ..... D26/20  |
| 6,214,295 | B1 * | 4/2001  | Freeman        | ..... 422/126 |
| 6,306,353 | B2 * | 10/2001 | Freeman et al. | ..... 422/126 |
| 6,328,935 | B1 * | 12/2001 | Buccellato     | ..... 422/125 |
| 6,428,753 | B2 * | 8/2002  | Freeman        | ..... 422/126 |
| D467,363  | S *  | 12/2002 | West           | ..... D26/10  |
| 6,616,308 | B2   | 9/2003  | Jensen et al.  |               |
| 6,663,838 | B1   | 12/2003 | Soller et al.  |               |

|              |      |         |                  |                 |
|--------------|------|---------|------------------|-----------------|
| 6,892,883    | B1 * | 5/2005  | Brumfield et al. | ..... 206/459.5 |
| 6,923,639    | B2   | 8/2005  | Pesu et al.      |                 |
| 7,174,611    | B1   | 2/2007  | Rose et al.      |                 |
| 7,922,482    | B2   | 4/2011  | Kubicek et al.   |                 |
| 8,047,837    | B2   | 11/2011 | Furner et al.    |                 |
| 2001/0010803 | A1 * | 8/2001  | Freeman et al.   | ..... 422/126   |
| 2003/0196924 | A1   | 10/2003 | Zilberman        |                 |
| 2008/0131825 | A1   | 6/2008  | Falle et al.     |                 |
| 2010/0290238 | A1   | 11/2010 | Howard           |                 |
| 2011/0148329 | A1   | 6/2011  | Demarest et al.  |                 |
| 2011/0200956 | A1 * | 8/2011  | Franklin         | ..... 431/292   |
| 2012/0018317 | A1 * | 1/2012  | Rein             | ..... 206/216   |

\* cited by examiner

*Primary Examiner* — T. Chase Nelson

*Assistant Examiner* — Ania Aman

(74) *Attorney, Agent, or Firm* — Libby Babu Varghese;  
Carter Ledyard & Milburn LLP

(57) **CLAIM**

The ornamental design for a combination container and candle, substantially as shown and described.

**DESCRIPTION**

FIG. 1 is a perspective view of the combination container and candle showing my new design;

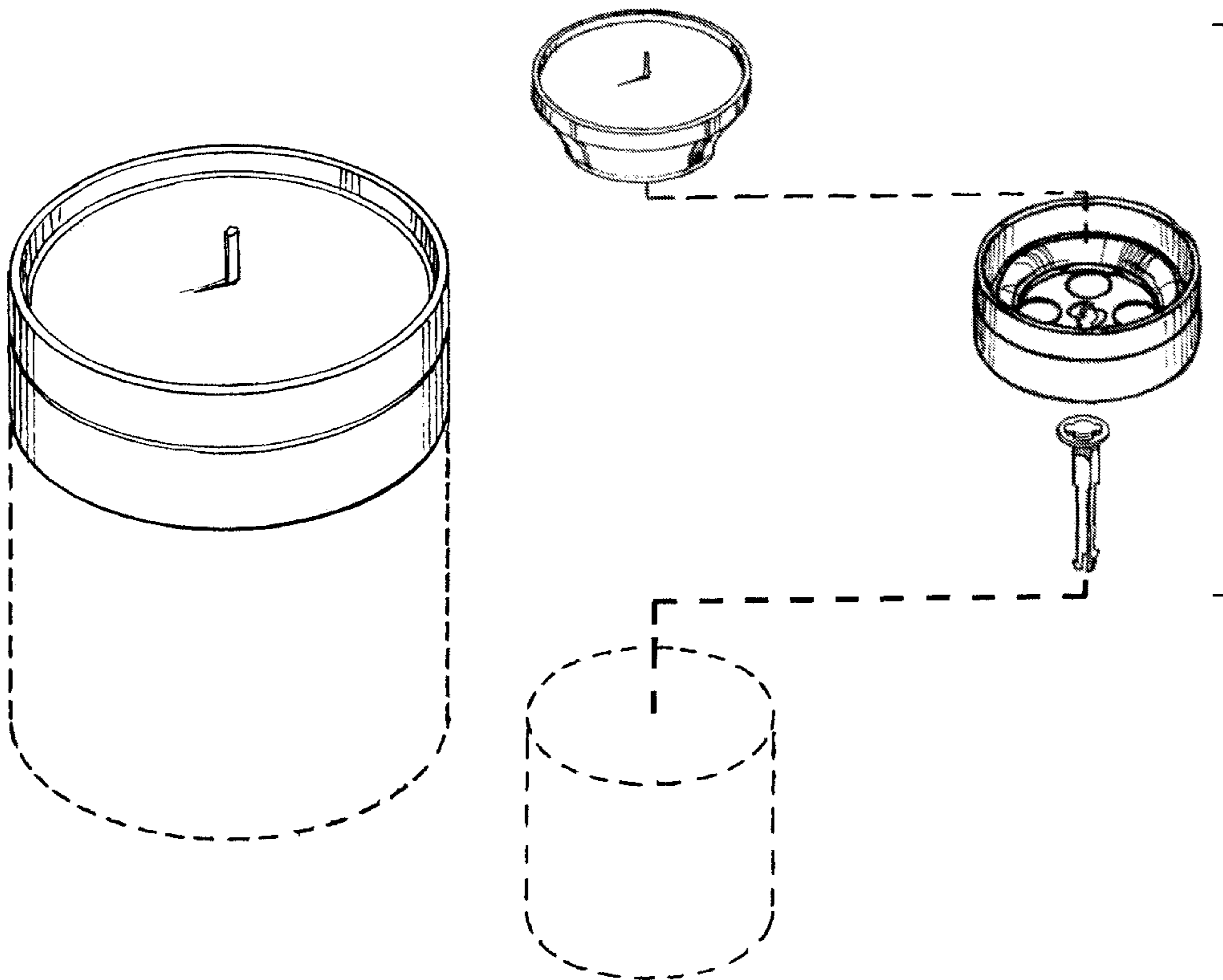
FIG. 2 is an exploded perspective view thereof;

FIG. 3 is an exploded top plan view thereof; and,

FIG. 4 is an exploded bottom view thereof.

In the drawings, the broken lines depict unclaimed subject matter only and form no part of the claimed design.

**1 Claim, 3 Drawing Sheets**



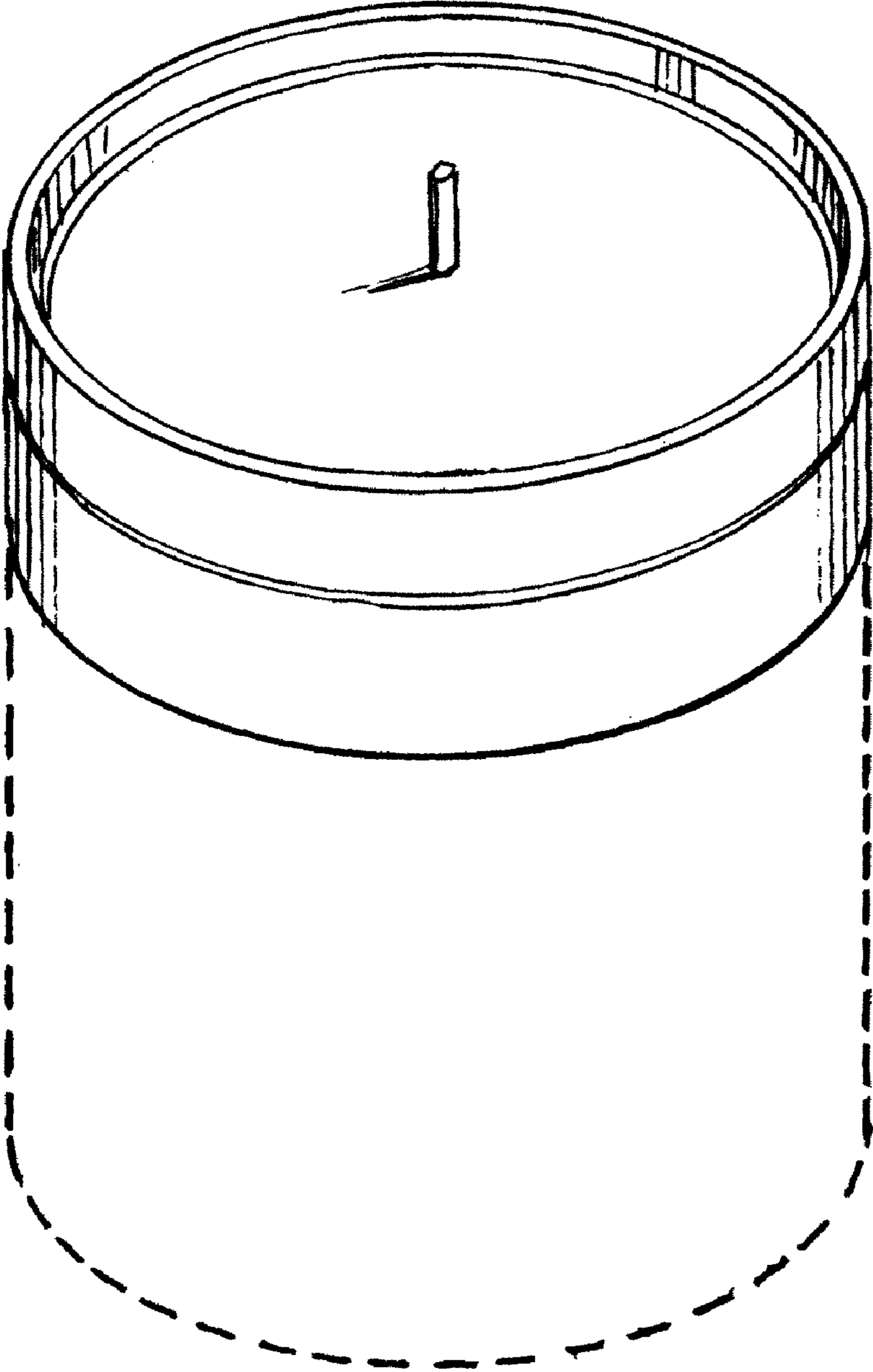


Fig. 1

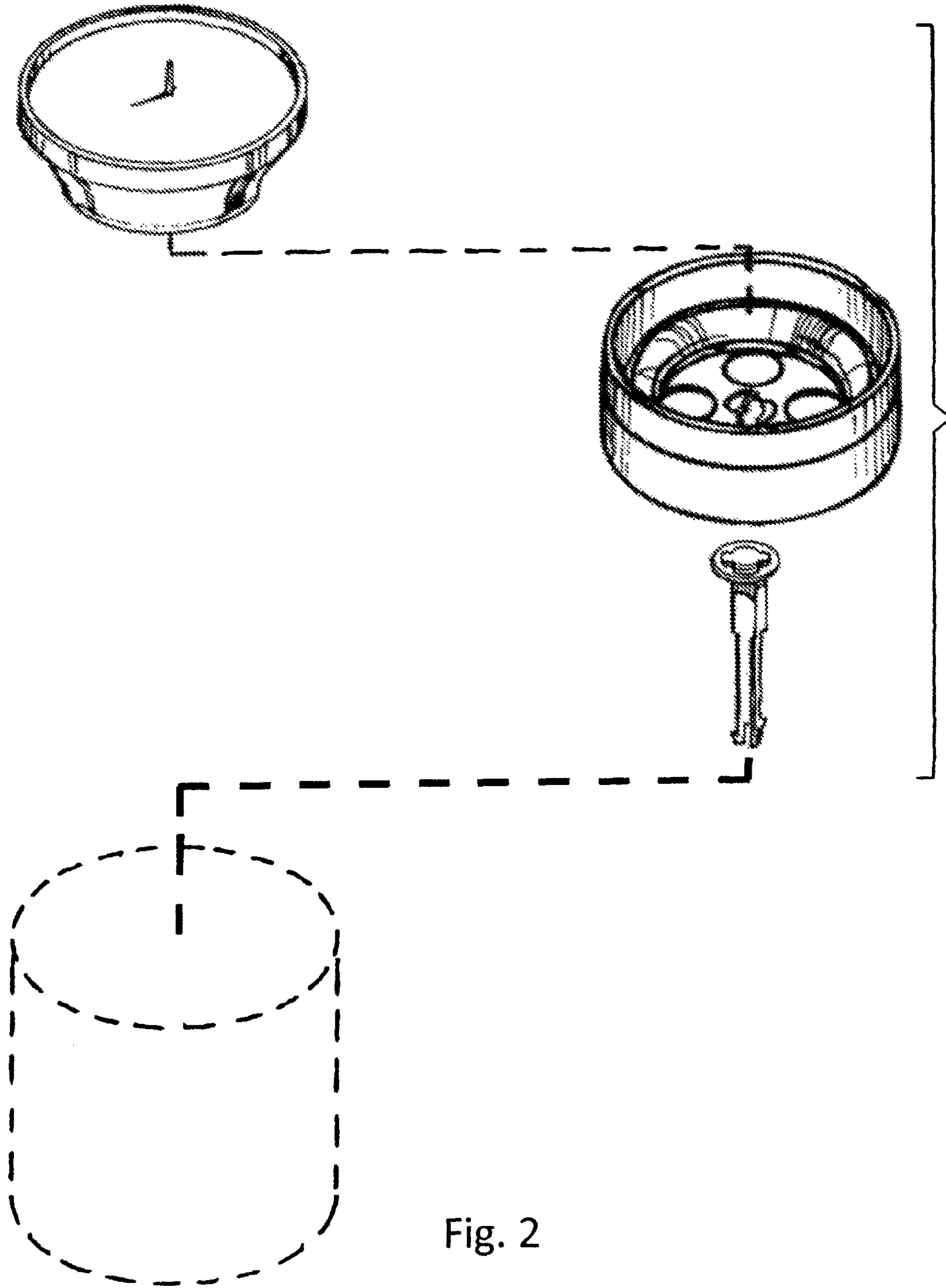


Fig. 2

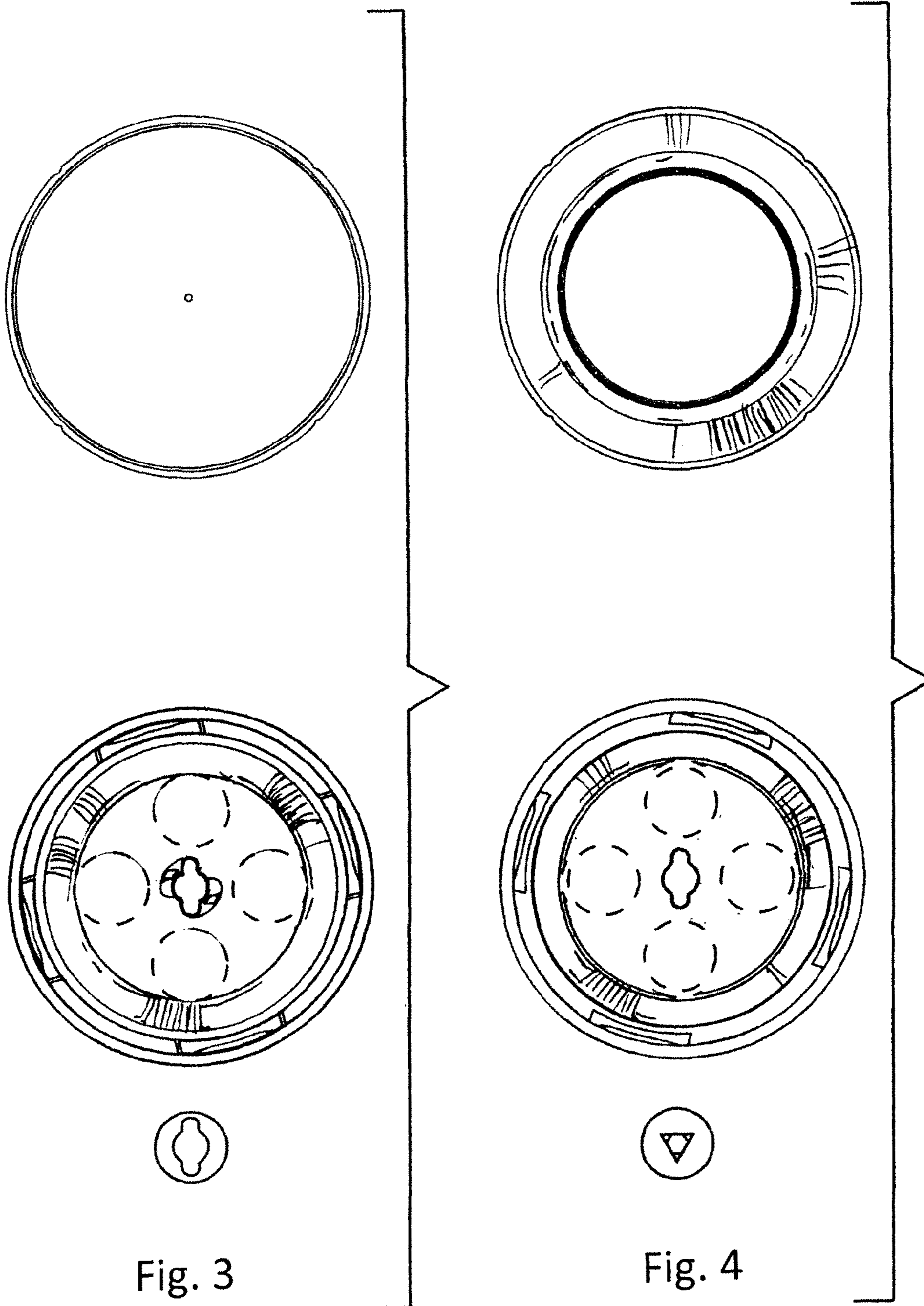


Fig. 3

Fig. 4