

US00D665107S

(12) **United States Design Patent**
Tu

(10) **Patent No.:** **US D665,107 S**

(45) **Date of Patent:** **** Aug. 7, 2012**

(54) **LAMP**

(75) **Inventor:** **Kuo-Chiang Tu**, Taoyuan Hsien (TW)

(73) **Assignee:** **Delta Electronics, Inc.**, Kuei San,
Taoyuan Hsien (TW)

(**) **Term:** **14 Years**

(21) **Appl. No.:** **29/404,453**

(22) **Filed:** **Oct. 20, 2011**

Related U.S. Application Data

(62) Division of application No. 29/359,301, filed on Apr. 8, 2010, now Pat. No. Des. 657,477.

(51) **LOC (9) Cl.** **26-04**

(52) **U.S. Cl.** **D26/2**

(58) **Field of Classification Search** D26/1-4;
313/313, 315, 316, 317, 318, 493; 315/52,
315/53, 56, 57, 58

See application file for complete search history.

(56) **References Cited**

U.S. PATENT DOCUMENTS

D545,457 S * 6/2007 Chen D26/2
D560,286 S 1/2008 Maxik et al.
D566,300 S 4/2008 Lo

D570,504 S 6/2008 Maxik et al.
D582,578 S 12/2008 Tsai et al.
D584,428 S * 1/2009 Li et al. D26/2
D587,384 S * 2/2009 Wei D26/2
D592,766 S * 5/2009 Zhu et al. D26/2
D599,041 S 8/2009 Yoo
D601,275 S * 9/2009 Ho et al. D26/2
D607,587 S * 1/2010 Ko D26/2
D610,275 S * 2/2010 Cho D26/2
D612,956 S * 3/2010 Moon D26/2
D613,433 S * 4/2010 Moon D26/2
D648,041 S * 11/2011 Mahler et al. D26/2

* cited by examiner

Primary Examiner — Marcus Jackson

(74) *Attorney, Agent, or Firm* — Muncy, Geissler, Olds & Lowe, PLLC

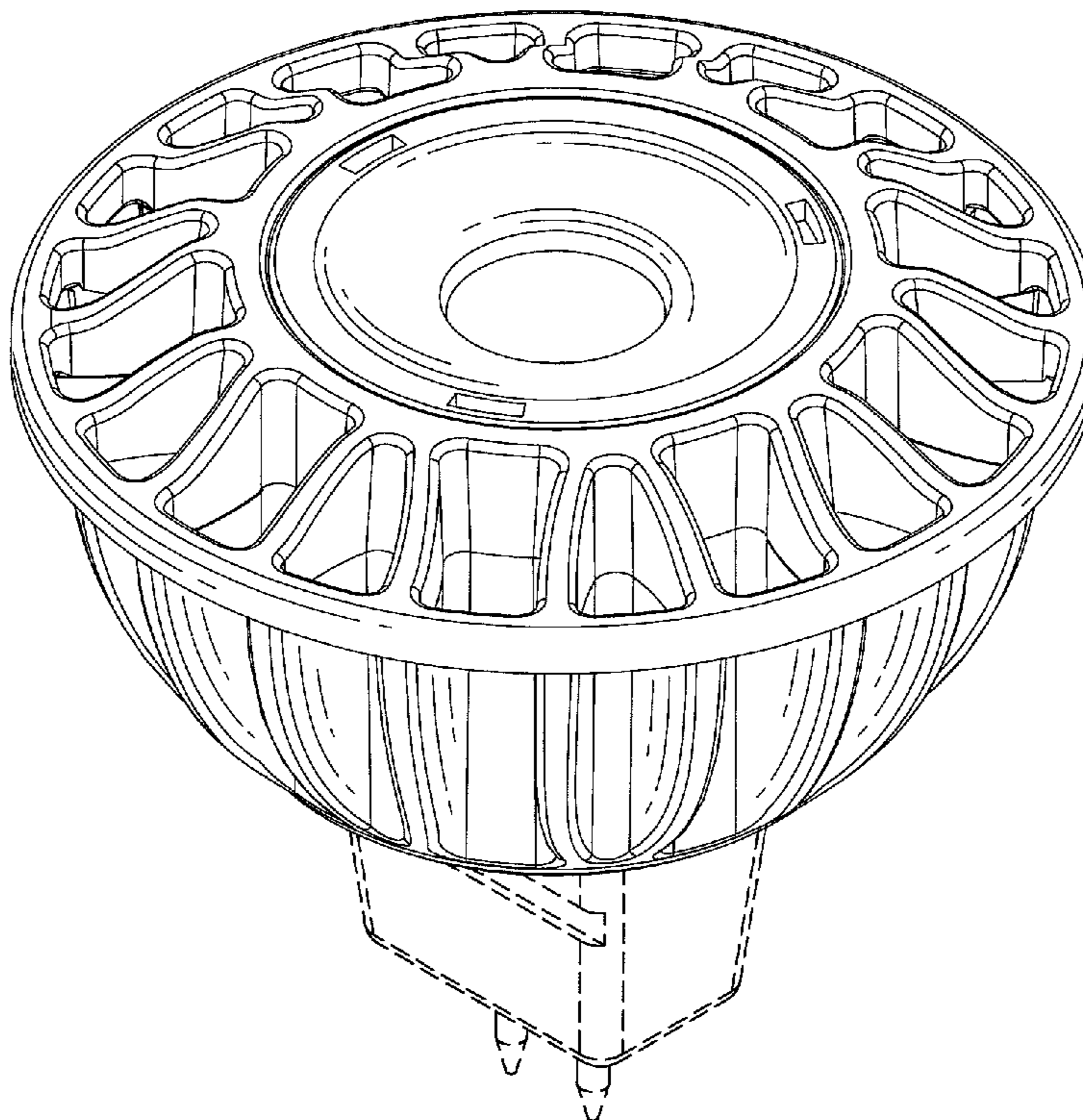
(57) **CLAIM**

The ornamental design for lamp, as shown and described.

DESCRIPTION

FIG. 1 is a perspective view of the lamp;
FIG. 2 is a front view of the lamp, and the rear view thereof is the same as the front view;
FIG. 3 is a left side view of the lamp, and the right side view thereof is the same as the left side view;
FIG. 4 is a top plan view of the lamp;
FIG. 5 is a bottom plan view of the lamp; and,
FIG. 6 is another perspective view of the lamp.

1 Claim, 6 Drawing Sheets



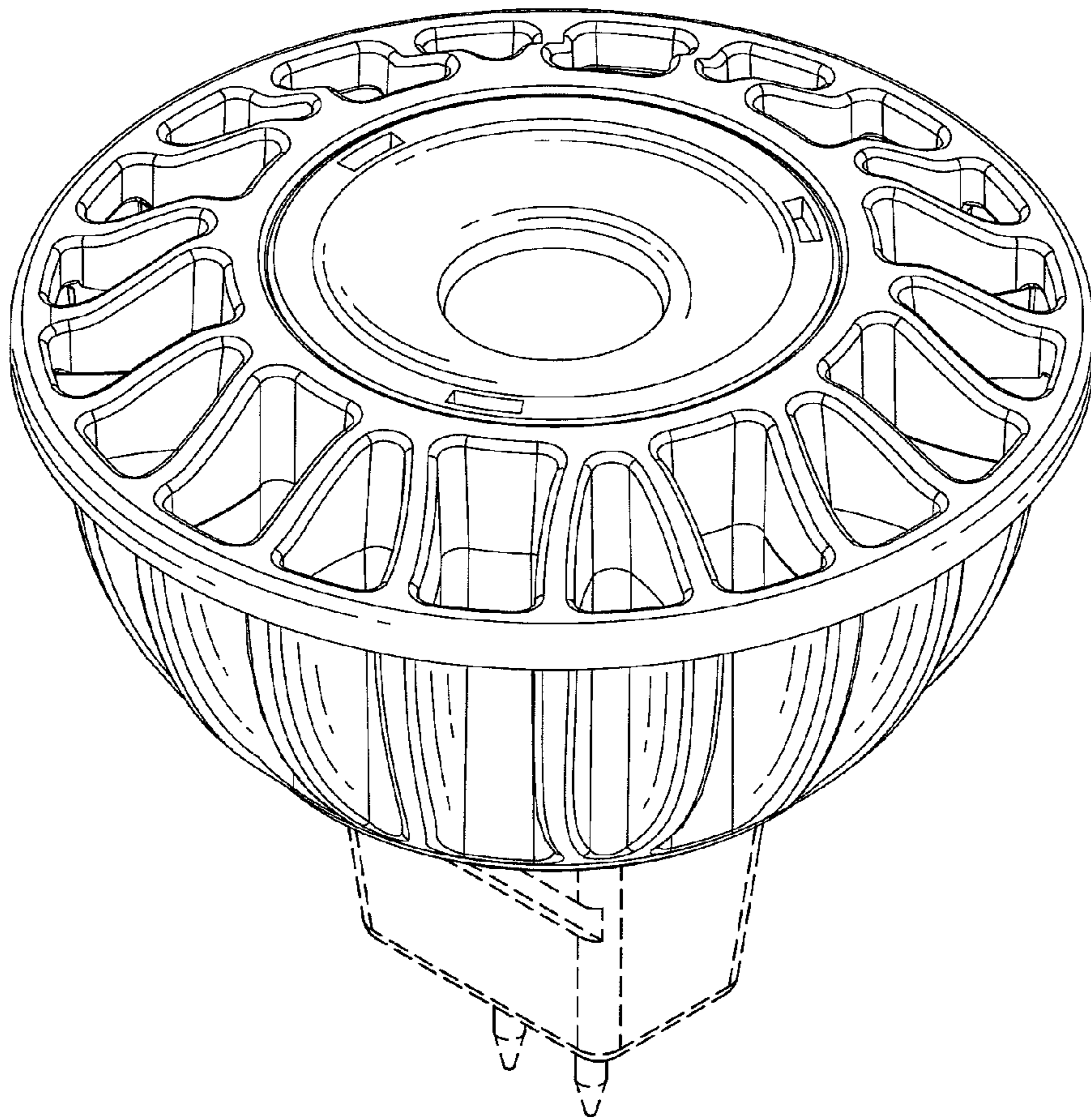


FIG. 1

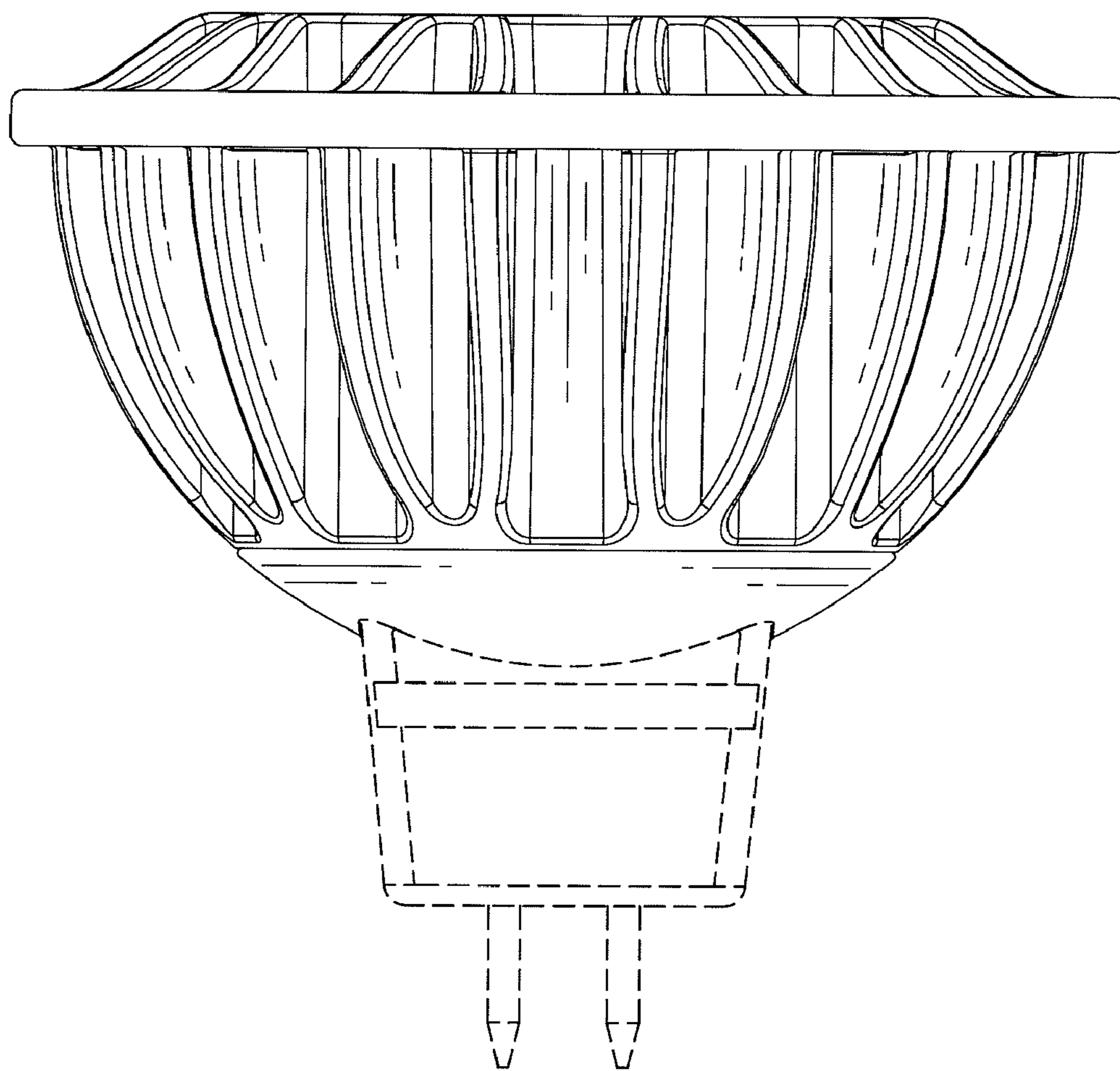


FIG. 2

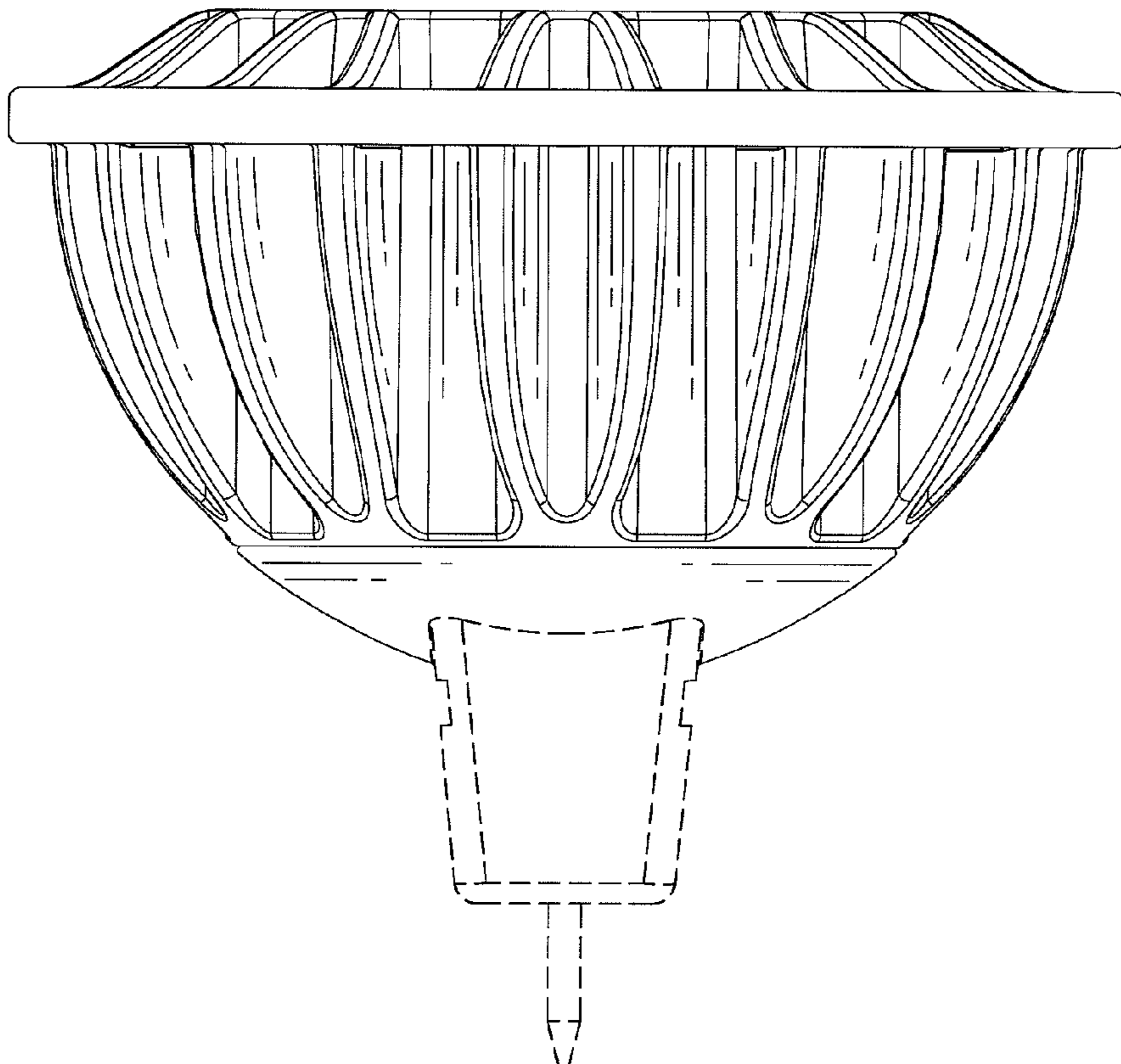


FIG. 3

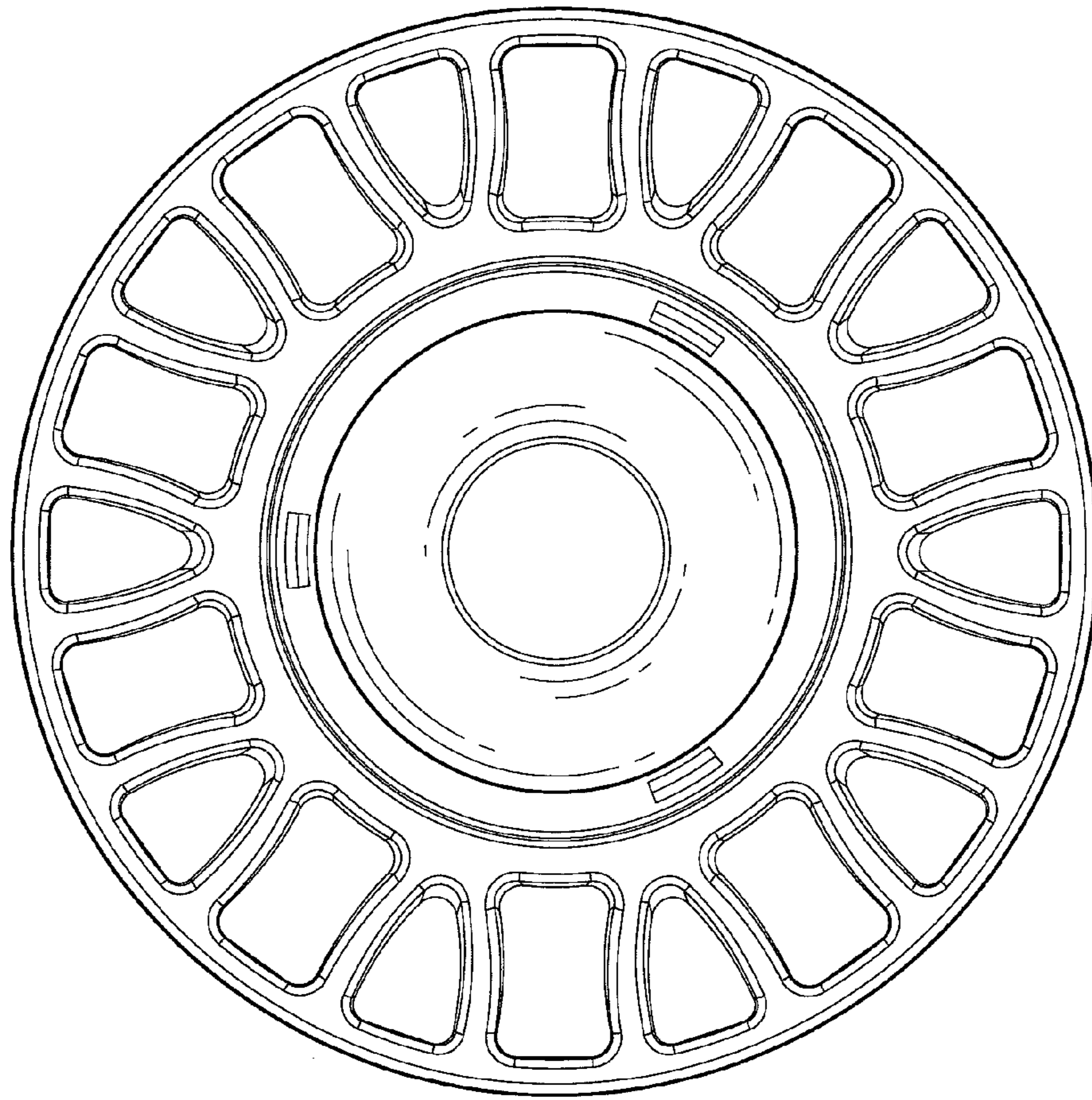


FIG. 4

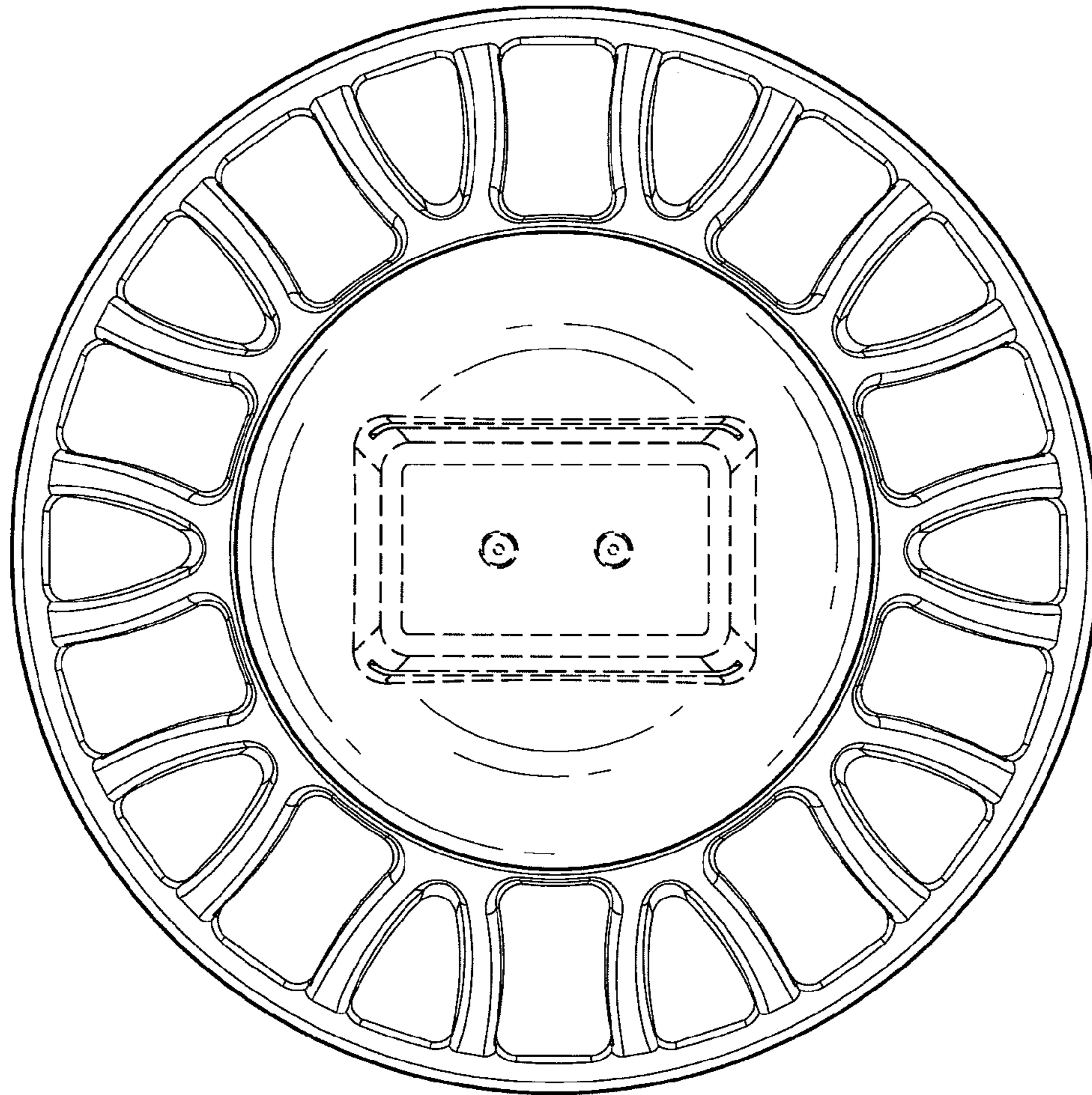


FIG. 5

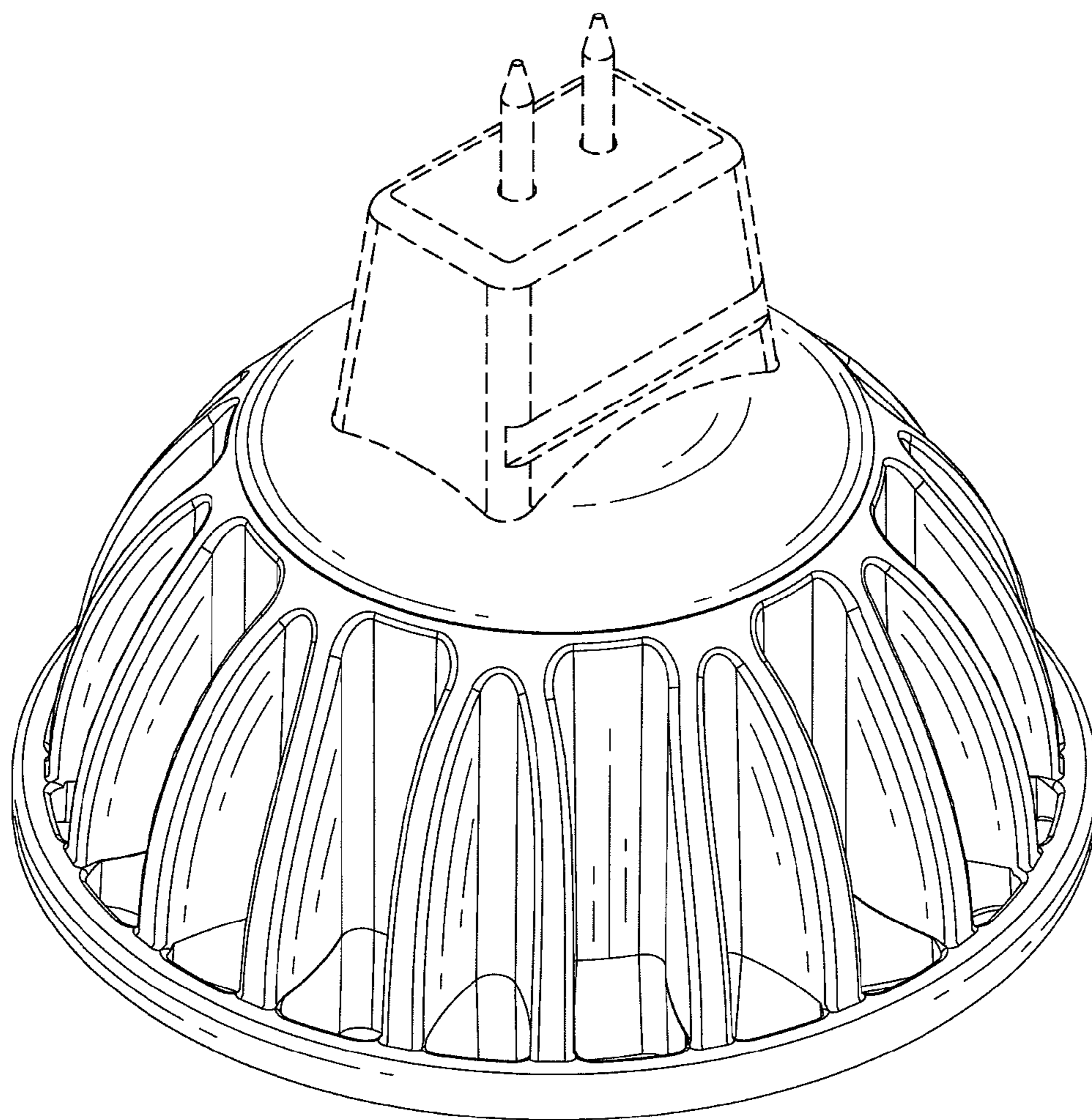


FIG. 6