

US00D665106S

(12) **United States Design Patent**
Grajcar

(10) **Patent No.:** **US D665,106 S**

(45) **Date of Patent:** **** Aug. 7, 2012**

(54) **LIGHT**

(75) Inventor: **Zdenko Grajcar**, Crystal, MN (US)

(73) Assignee: **Nexus Lighting, Inc.**, Charlotte, NC
(US)

(**) Term: **14 Years**

(21) Appl. No.: **29/398,107**

(22) Filed: **Jul. 26, 2011**

Related U.S. Application Data

(63) Continuation of application No. 29/333,039, filed on Mar. 2, 2009, now Pat. No. Des. 643,946, which is a continuation of application No. 29/324,960, filed on Sep. 24, 2008, now Pat. No. Des. 590,076.

(51) **LOC (9) Cl.** **26-04**

(52) **U.S. Cl.** **D26/2**

(58) **Field of Classification Search** D26/1-4;
313/313, 315, 316, 317, 318, 493; 315/52,
315/53, 56, 57, 58

See application file for complete search history.

(56) **References Cited**

U.S. PATENT DOCUMENTS

D560,286	S	*	1/2008	Maxik et al.	D26/2
D566,300	S	*	4/2008	Lo	D26/2
D570,504	S	*	6/2008	Maxik et al.	D26/2
D582,578	S	*	12/2008	Tsai et al.	D26/2
D599,041	S	*	8/2009	Yoo	D26/2
D652,536	S	*	1/2012	Grajcar	D26/2

* cited by examiner

Primary Examiner — Marcus Jackson

(74) *Attorney, Agent, or Firm* — Baker & Hostetler, LLP

(57) **CLAIM**

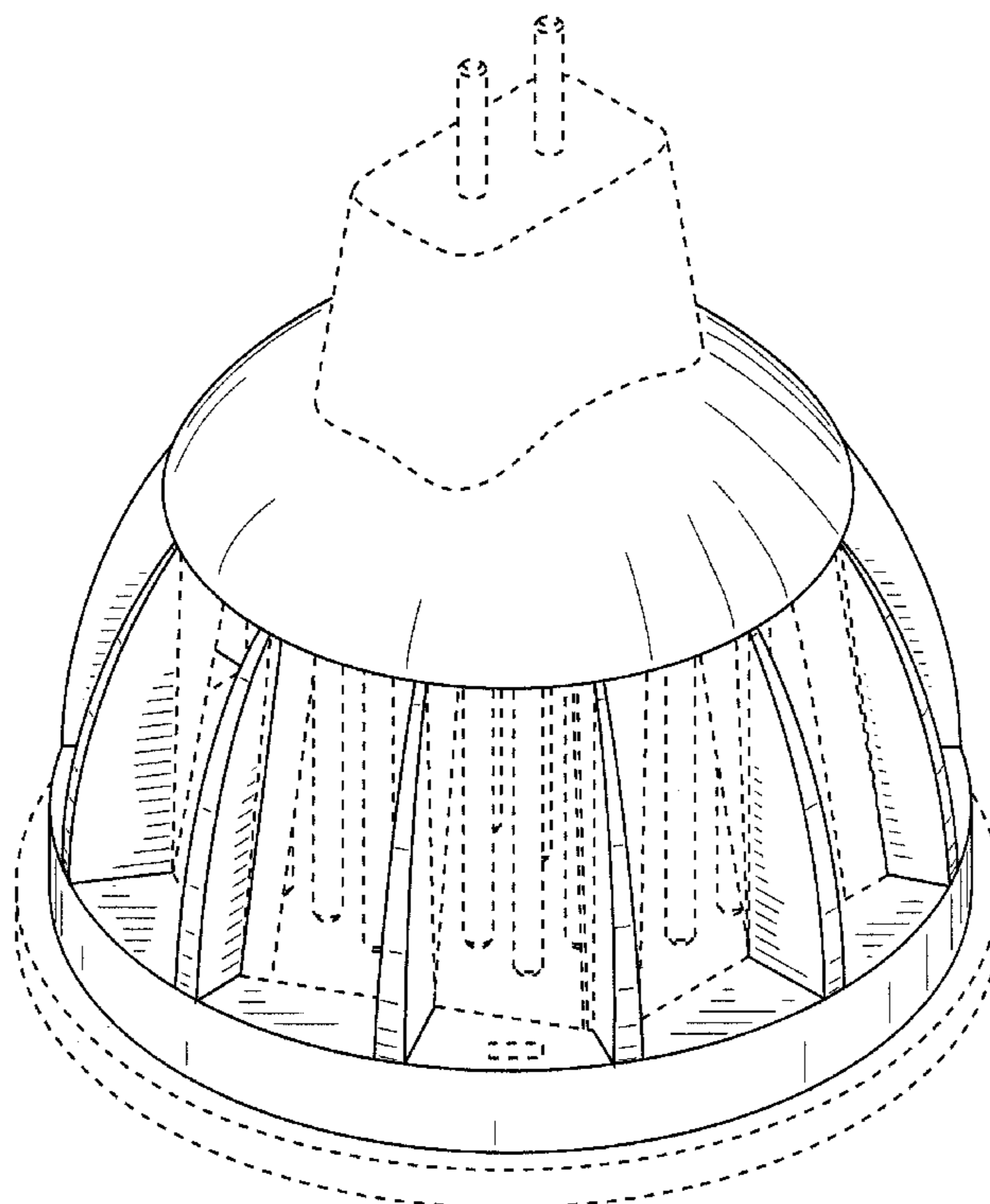
I claim the ornamental design for a light, as shown and described.

DESCRIPTION

FIG. 1 is a perspective view of the light;
FIG. 2 is a right side view of the design embodiment shown in FIG. 1;
FIG. 3 is a left side view of the design embodiment shown in FIG. 1;
FIG. 4 is a bottom view of the design embodiment shown in FIG. 1; and,
FIG. 5 is a top view of the design embodiment shown in FIG. 1.

The subject matter shown in dashed lines, and any surfaces of the design not shown, including interior surfaces, form no part of the claimed invention.

1 Claim, 5 Drawing Sheets



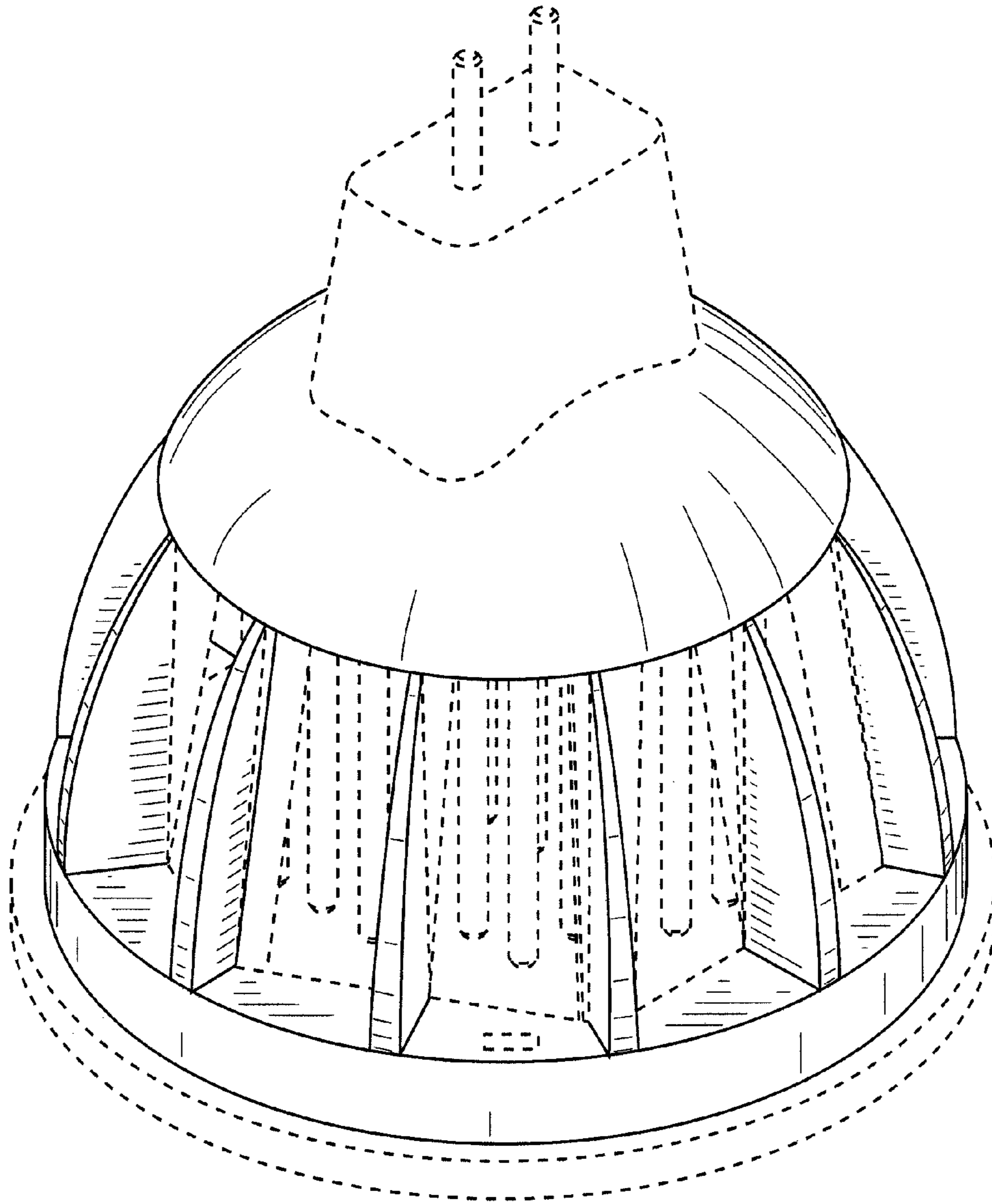


FIG. 1

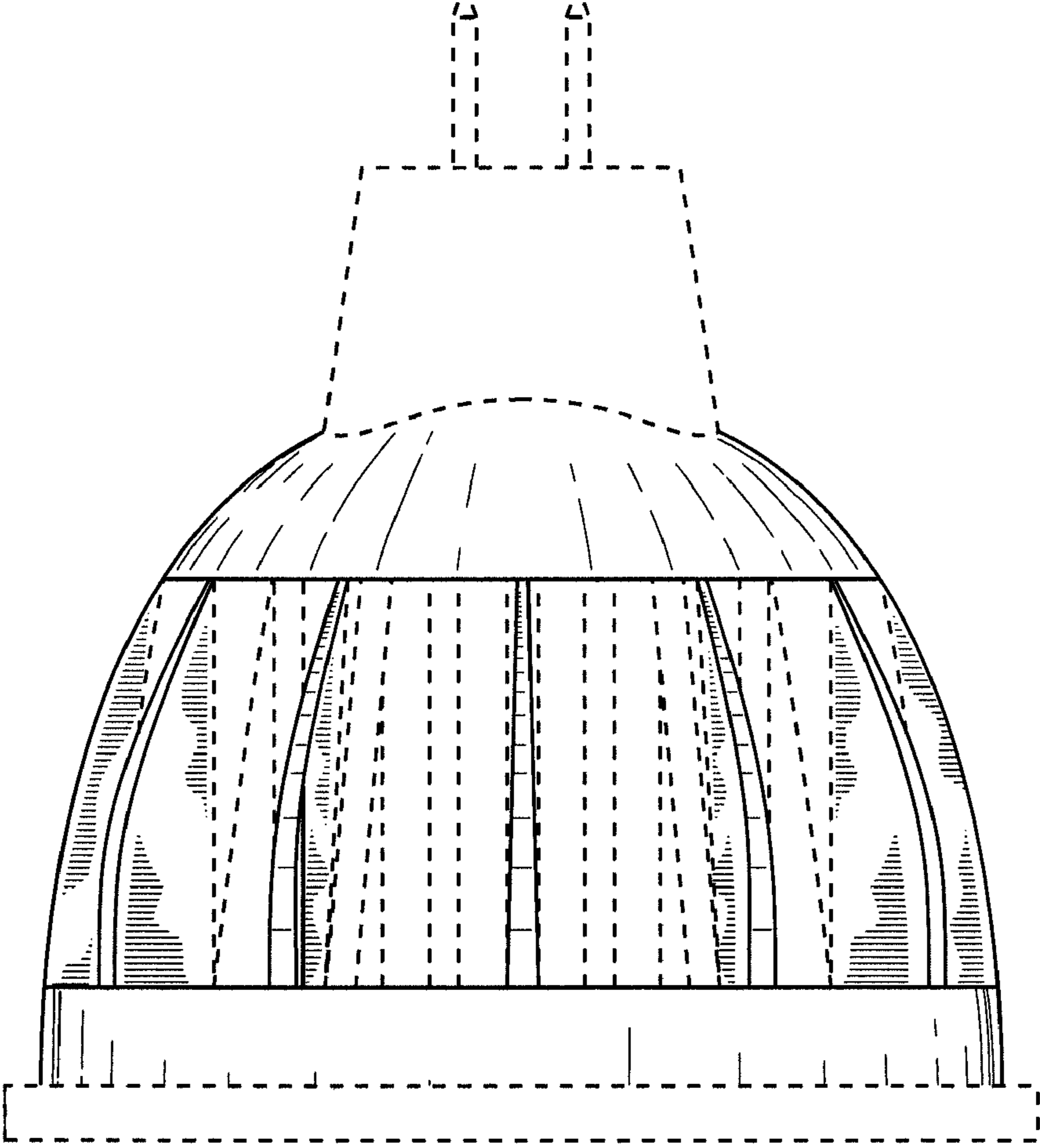


FIG. 2

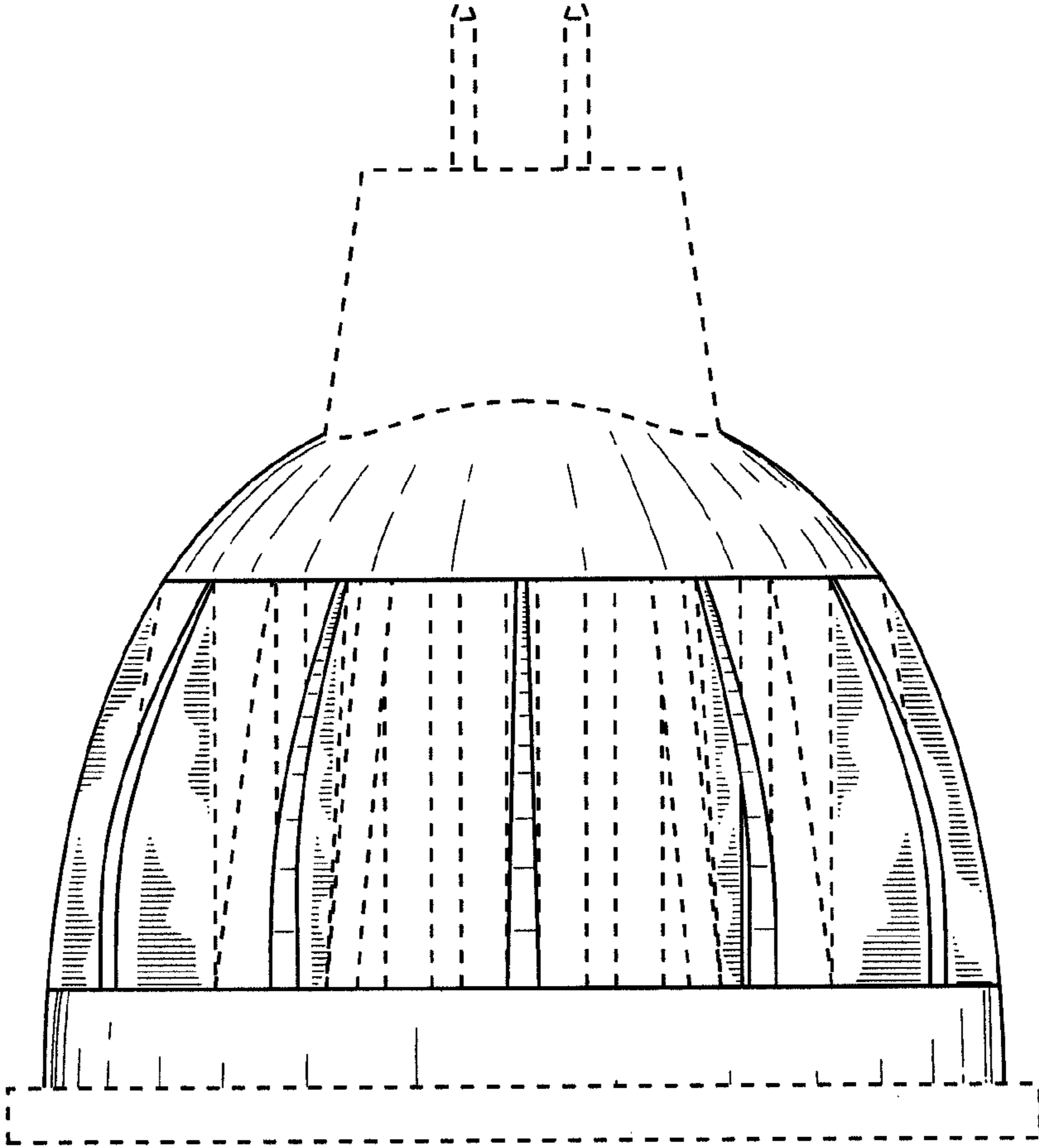


FIG. 3

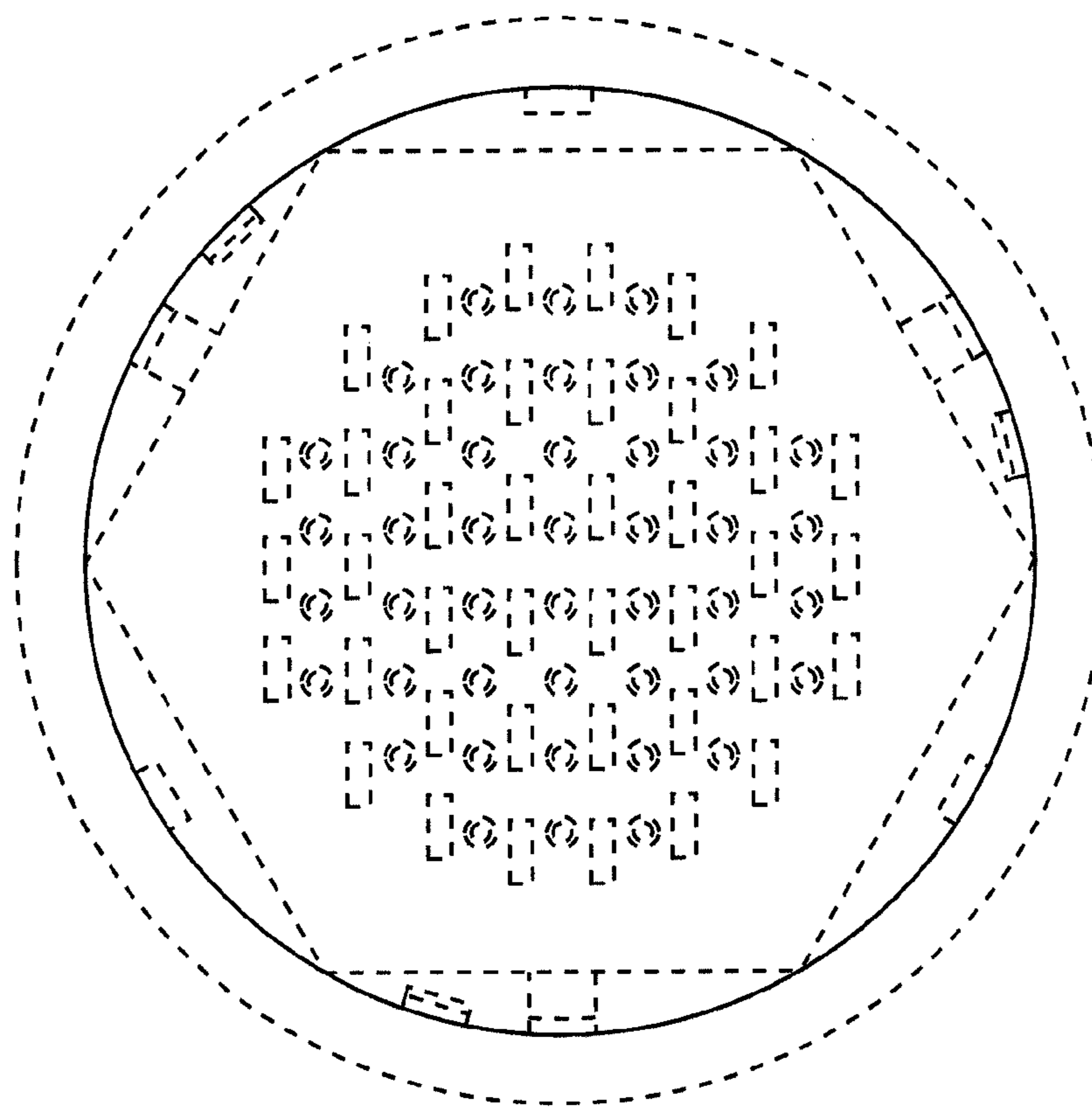


FIG. 4

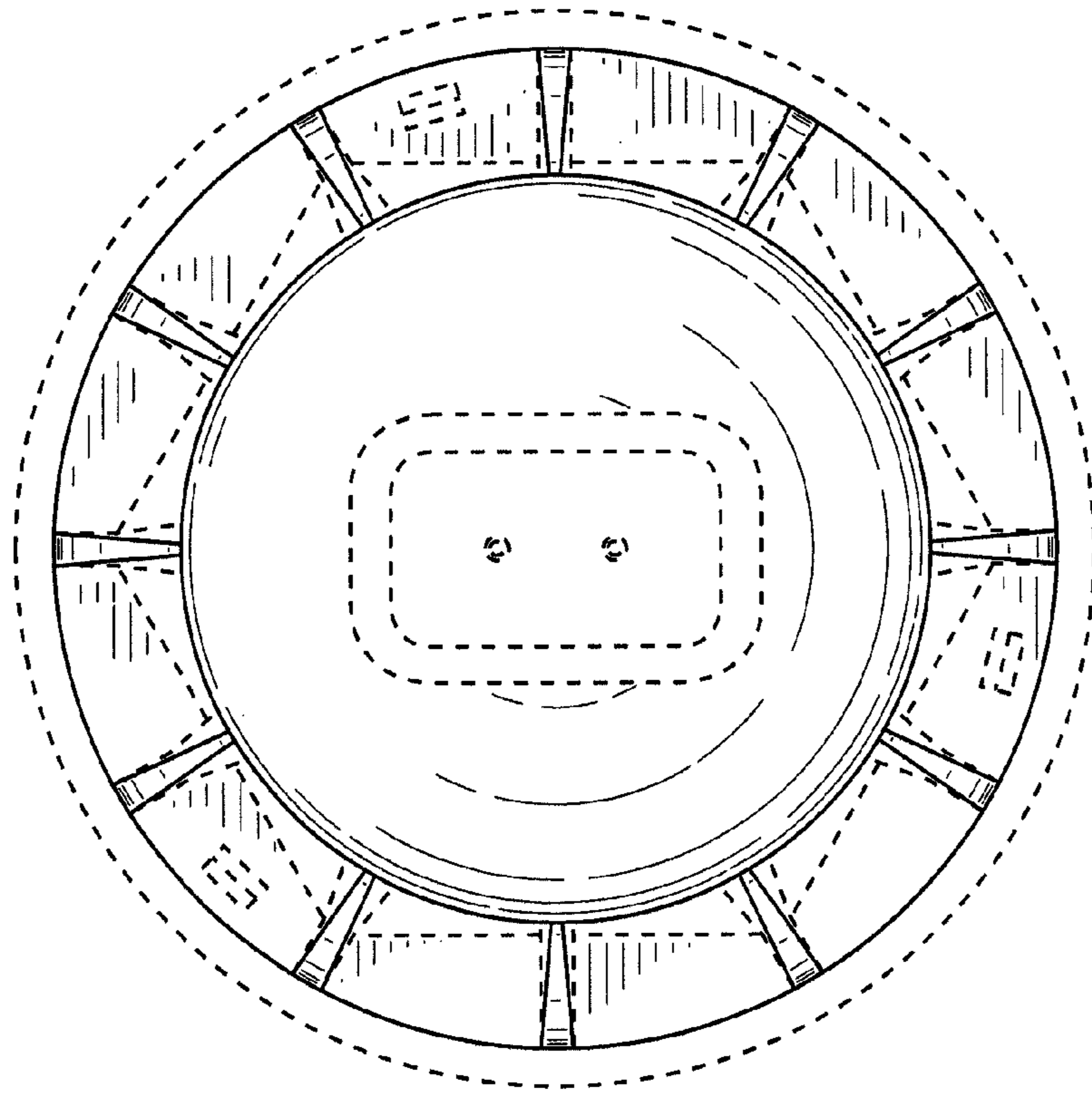


FIG. 5