



US00D665104S

(12) **United States Design Patent**
Rodrigues et al.

(10) **Patent No.:** **US D665,104 S**
(45) **Date of Patent:** **** Aug. 7, 2012**

(54) **TILE SHINGLE**

(75) Inventors: **Tommy F. Rodrigues**, Wilmington, DE (US); **Adem Chich**, Kearny, NJ (US); **Emily Cavanagh**, Hoboken, NJ (US); **Fred Sieling**, Bound Brook, NJ (US)

(73) Assignee: **Building Materials Investment Corporation**, Wilmington, DE (US)

(**) Term: **14 Years**

(21) Appl. No.: **29/409,288**

(22) Filed: **Dec. 21, 2011**

(51) **LOC (9) Cl.** **25-01**

(52) **U.S. Cl.** **D25/143**

(58) **Field of Classification Search** D25/139, D25/140, 141, 143, 144; 52/519, 518, 523, 52/524, 526, 535, 554, 555, 556, 560, 557, 52/558, 311.1, 311.2, 314

See application file for complete search history.

(56) **References Cited**

U.S. PATENT DOCUMENTS

5,611,186 A * 3/1997 Weaver 52/557
D406,361 S * 3/1999 Bondoc et al. D25/143
D504,962 S * 5/2005 Sieling et al. D25/143
6,936,329 B2 * 8/2005 Kiik et al. 428/141

* cited by examiner

Primary Examiner — Doris Clark

(74) *Attorney, Agent, or Firm* — Baker & McKenzie LLP

(57) **CLAIM**

The ornamental design for a tile shingle, as shown and described.

DESCRIPTION

FIG. 1 is a perspective view of the tile shingle in accordance with our design;

FIG. 2 is a top view of the tile shingle shown in FIG. 1;

FIG. 3 is a front view of the tile shingle shown in FIG. 1;

FIG. 4 is a back view of the tile shingle shown in FIG. 1;

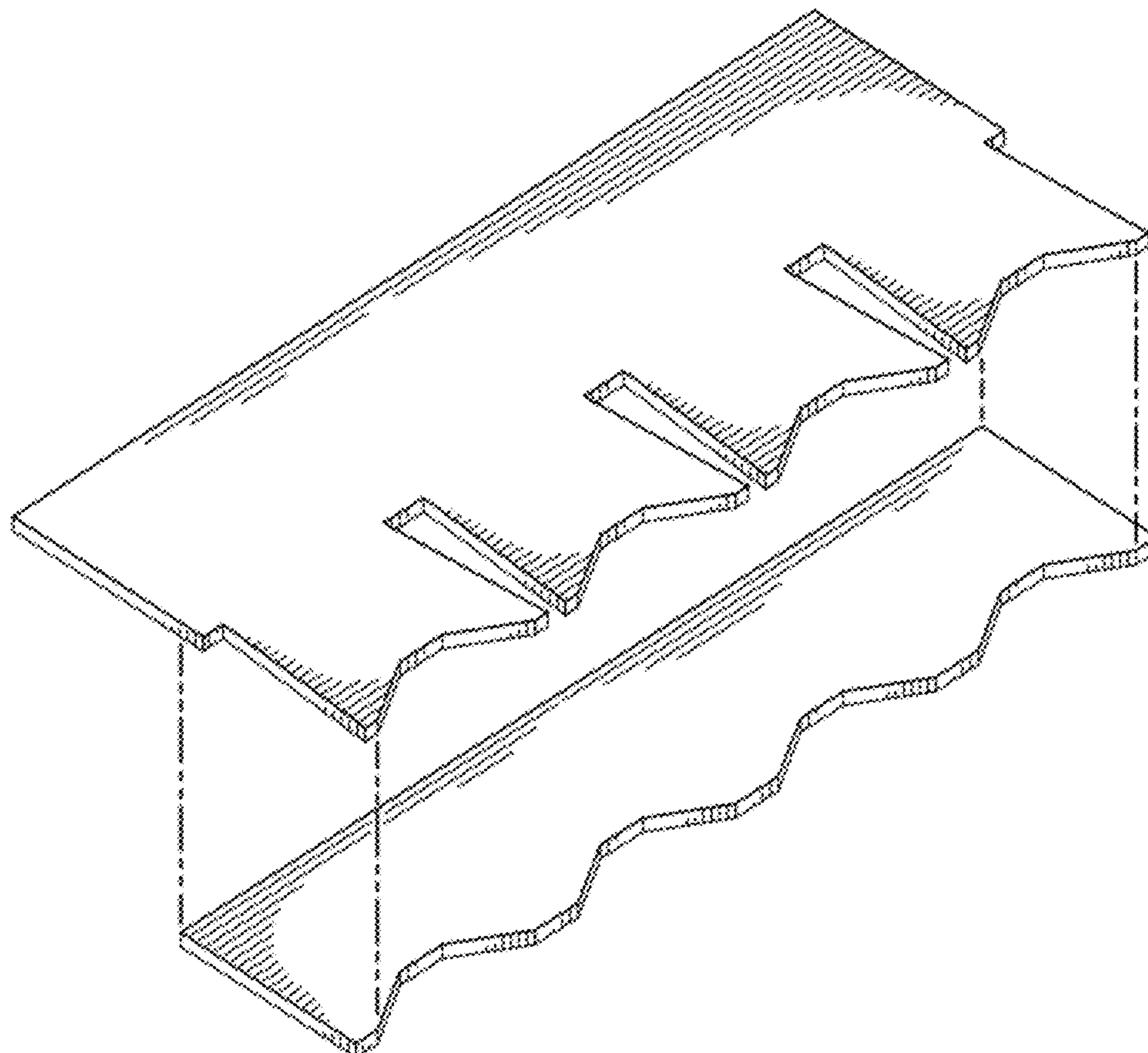
FIG. 5 is a first side view of the tile shingle shown in FIG. 1;

FIG. 6 is a second side view of the tile shingle shown in FIG. 1;

FIG. 7 is a bottom view of the tile shingle shown in FIG. 1; and,

FIG. 8 is an exploded view of the tile shingle shown in FIG. 1.

1 Claim, 4 Drawing Sheets



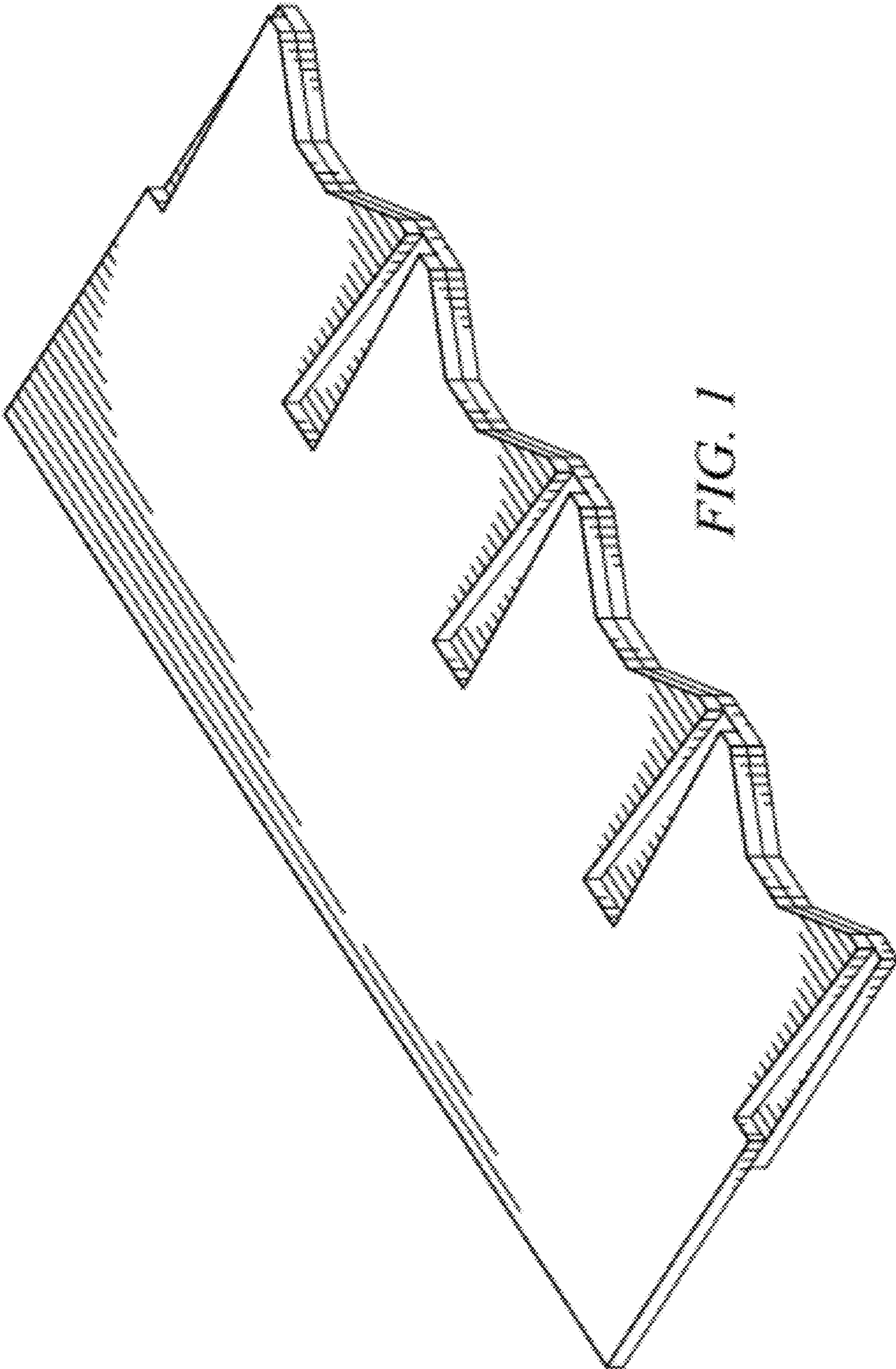


FIG. 1

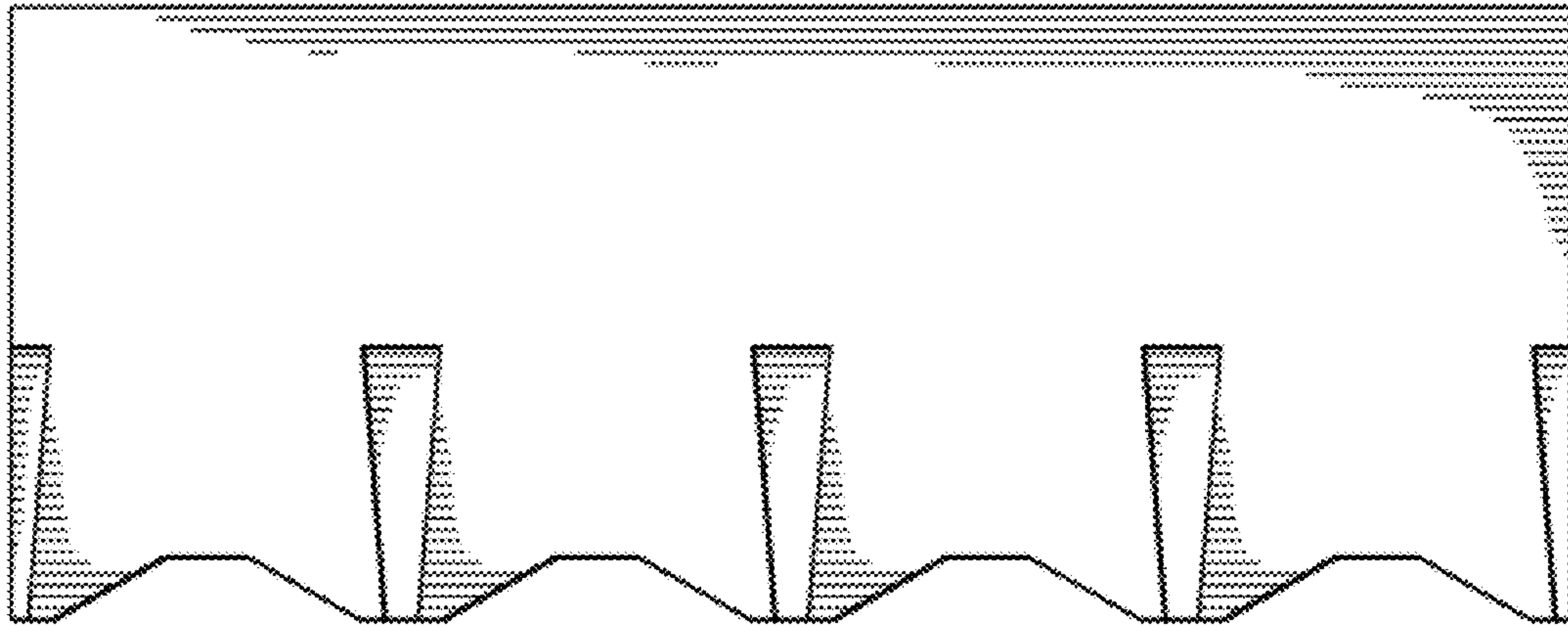


FIG. 2

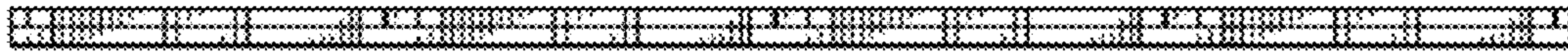


FIG. 3

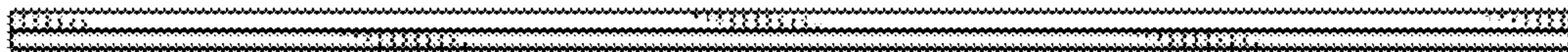


FIG. 4



FIG. 5



FIG. 6

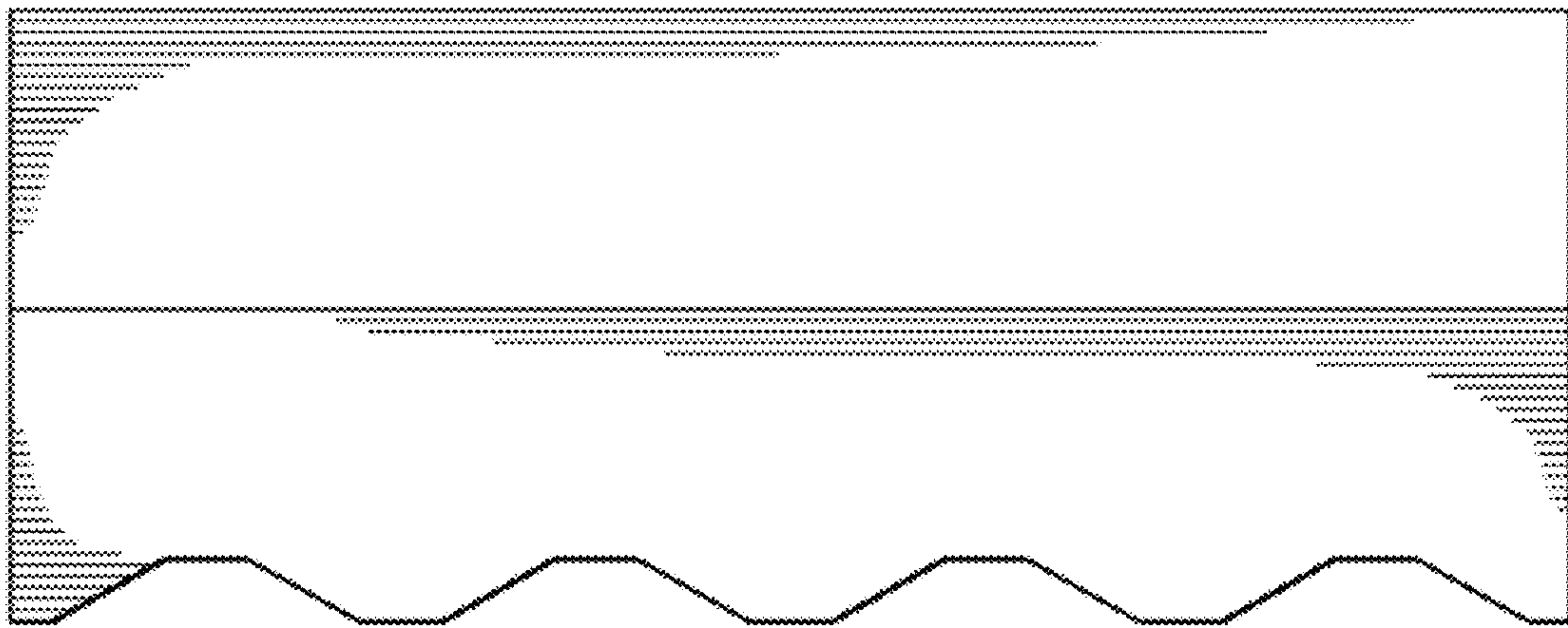


FIG. 7

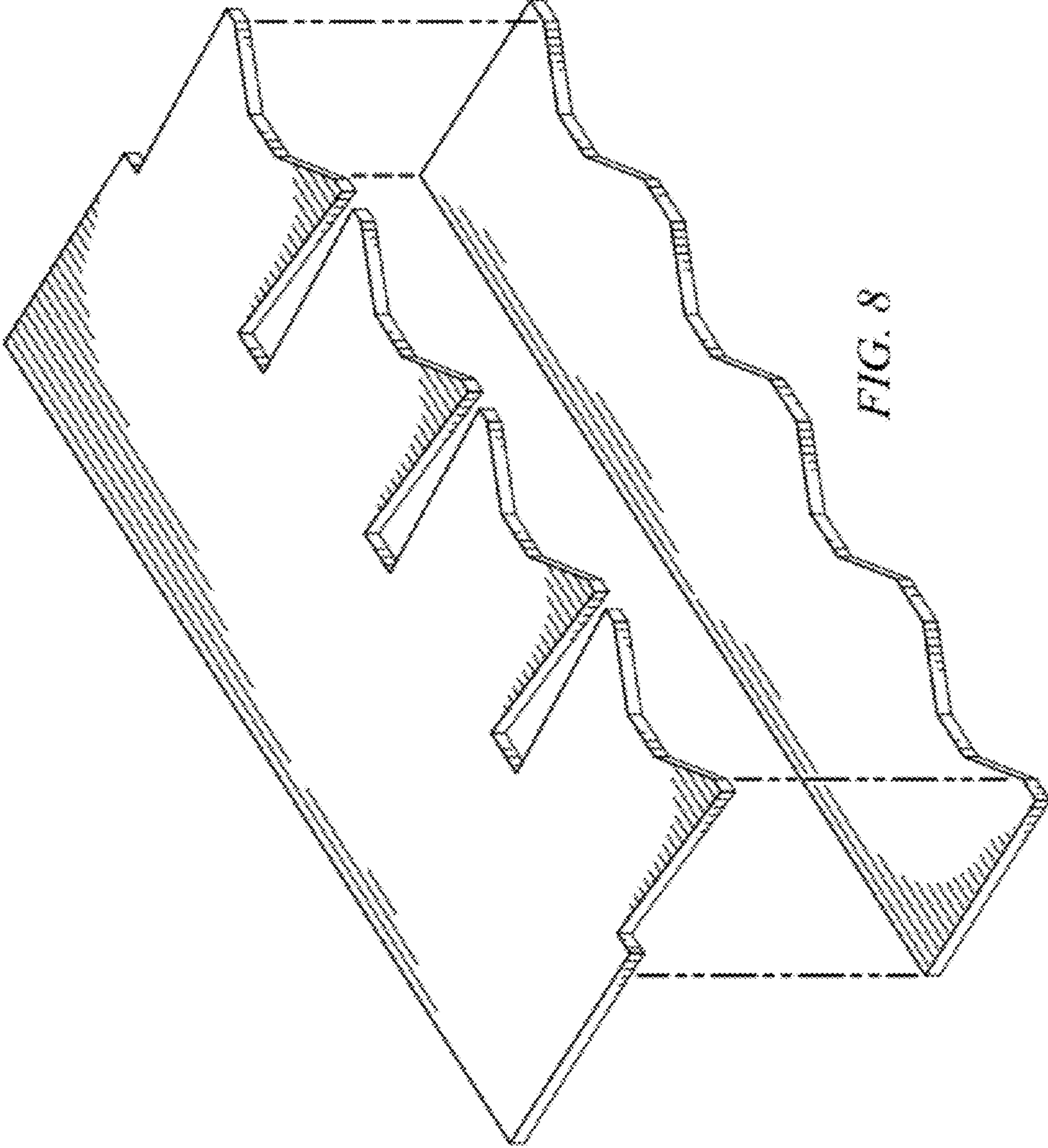


FIG. 8

UNITED STATES PATENT AND TRADEMARK OFFICE
CERTIFICATE OF CORRECTION

PATENT NO. : D665,104 S
APPLICATION NO. : 29/409288
DATED : August 7, 2012
INVENTOR(S) : Tommy F. Rodrigues et al.

Page 1 of 1

It is certified that error appears in the above-identified patent and that said Letters Patent is hereby corrected as shown below:

Title Page, insert Item (60):

-- This application is a continuation-in-part of U.S. Design Application No. 29/385,178 which was filed on February 9, 2011. --

Signed and Sealed this
Sixteenth Day of October, 2012

A handwritten signature in black ink that reads "David J. Kappos". The signature is written in a cursive style with a large initial "D" and "K".

David J. Kappos
Director of the United States Patent and Trademark Office