



US00D665103S

(12) **United States Design Patent**  
**Rodrigues et al.**

(10) **Patent No.:** **US D665,103 S**

(45) **Date of Patent:** **\*\* Aug. 7, 2012**

(54) **STAGGERED SLATE SHINGLE**

(75) Inventors: **Tommy F. Rodrigues**, Wilmington, DE (US); **Adem Chich**, Kearny, NJ (US); **Emily Cavanagh**, Hoboken, NJ (US); **Fred Sieling**, Bound Brook, NJ (US)

(73) Assignee: **Building Materials Investment Corporation**, Wilmington, DE (US)

(\*\*) Term: **14 Years**

(21) Appl. No.: **29/409,287**

(22) Filed: **Dec. 21, 2011**

(51) **LOC (9) Cl.** ..... **25-01**

(52) **U.S. Cl.** ..... **D25/143**

(58) **Field of Classification Search** ..... D25/139,  
D25/140, 141, 143, 144; 52/519, 518, 523,  
52/524, 526, 535, 554, 555, 556, 560, 557,  
52/558, 311.1, 311.2, 314

See application file for complete search history.

(56) **References Cited**

U.S. PATENT DOCUMENTS

3,624,975	A *	12/1971	Morgan et al.	52/105
5,611,186	A *	3/1997	Weaver	52/557
D406,361	S *	3/1999	Bondoc et al.	D25/143
D504,962	S *	5/2005	Sieling et al.	D25/143
6,936,329	B2 *	8/2005	Kiik et al.	428/141

\* cited by examiner

*Primary Examiner* — Doris Clark

(74) *Attorney, Agent, or Firm* — Baker & McKenzie LLP

(57) **CLAIM**

The ornamental design for a staggered slate shingle, as shown and described.

**DESCRIPTION**

FIG. 1 is a perspective view of a first embodiment of the staggered slate shingle in accordance with our design;

FIG. 2 is a top view of the staggered slate shingle shown in FIG. 1;

FIG. 3 is a front view of the staggered slate shingle shown in FIG. 1;

FIG. 4 is a back view of the staggered slate shingle shown in FIG. 1;

FIG. 5 is a first side view of the staggered slate shingle shown in FIG. 1;

FIG. 6 is a second side view of the staggered slate shingle shown in FIG. 1;

FIG. 7 is a bottom view of the staggered slate shingle shown in FIG. 1;

FIG. 8 is an exploded view of the staggered slate shingle shown in FIG. 1;

FIG. 9 is a perspective view of a second embodiment of the staggered slate shingle in accordance with our design;

FIG. 10 is a top view of the staggered slate shingle shown in FIG. 9;

FIG. 11 is a front view of the staggered slate shingle shown in FIG. 9;

FIG. 12 is a back view of the staggered slate shingle shown in FIG. 9;

FIG. 13 is a first side view of the staggered slate shingle shown in FIG. 9;

FIG. 14 is a second side view of the staggered slate shingle shown in FIG. 9;

FIG. 15 is a bottom view of the staggered slate shingle shown in FIG. 9;

FIG. 16 is an exploded view of the staggered slate shingle shown in FIG. 9;

FIG. 17 is a perspective view of a third embodiment of the staggered slate shingle in accordance with our design;

FIG. 18 is a top view of the staggered slate shingle shown in FIG. 17;

FIG. 19 is a front view of the staggered slate shingle shown in FIG. 17;

FIG. 20 is a back view of the staggered slate shingle shown in FIG. 17;

FIG. 21 is a first side view of the staggered slate shingle shown in FIG. 17;

FIG. 22 is a second side view of the staggered slate shingle shown in FIG. 17;

FIG. 23 is a bottom view of the staggered slate shingle shown in FIG. 17; and

FIG. 24 is an exploded view of the staggered slate shingle shown in FIG. 17.

FIG. 25 is a perspective view of a fourth embodiment of the staggered slate shingle in accordance with our design;

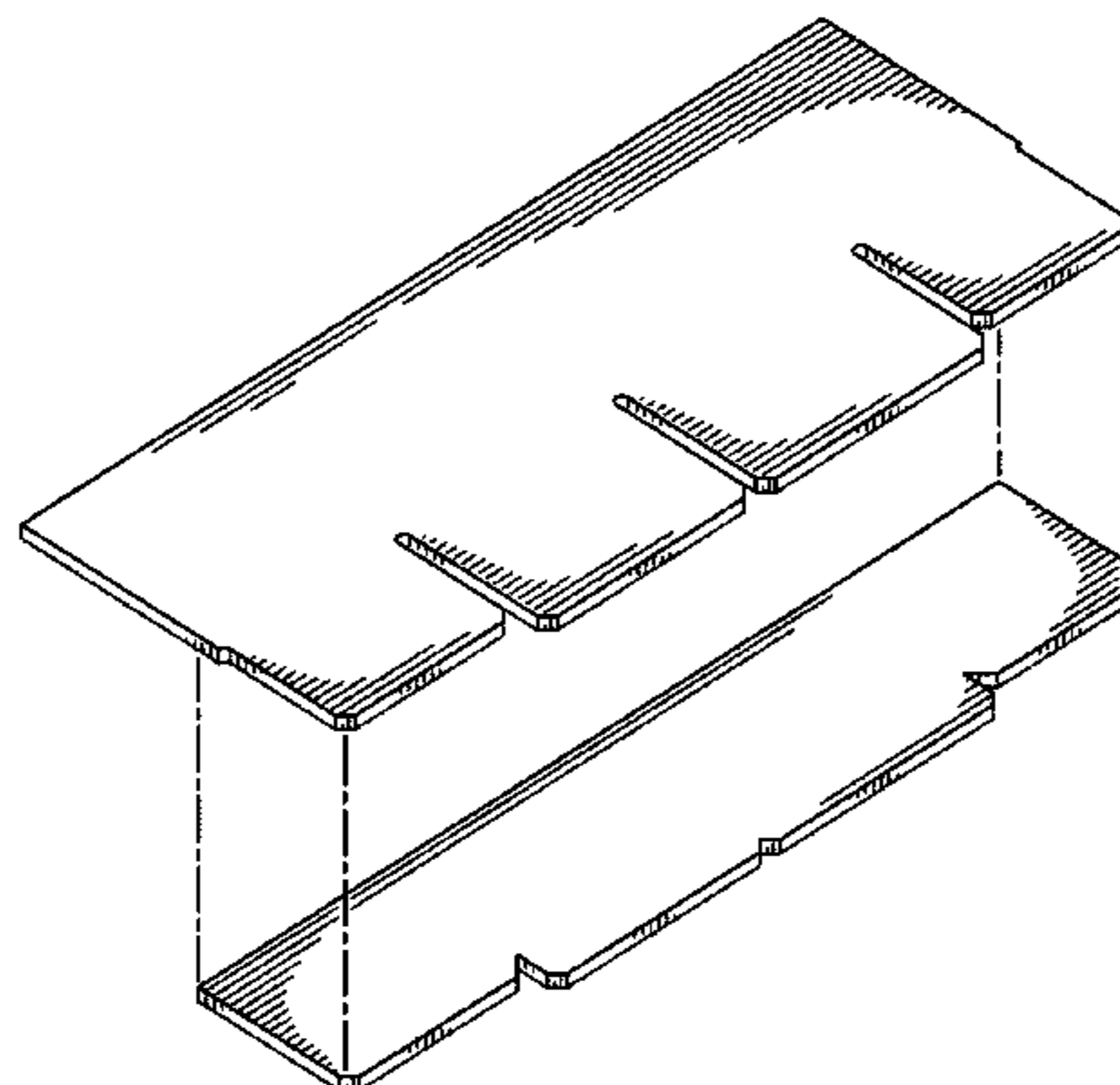
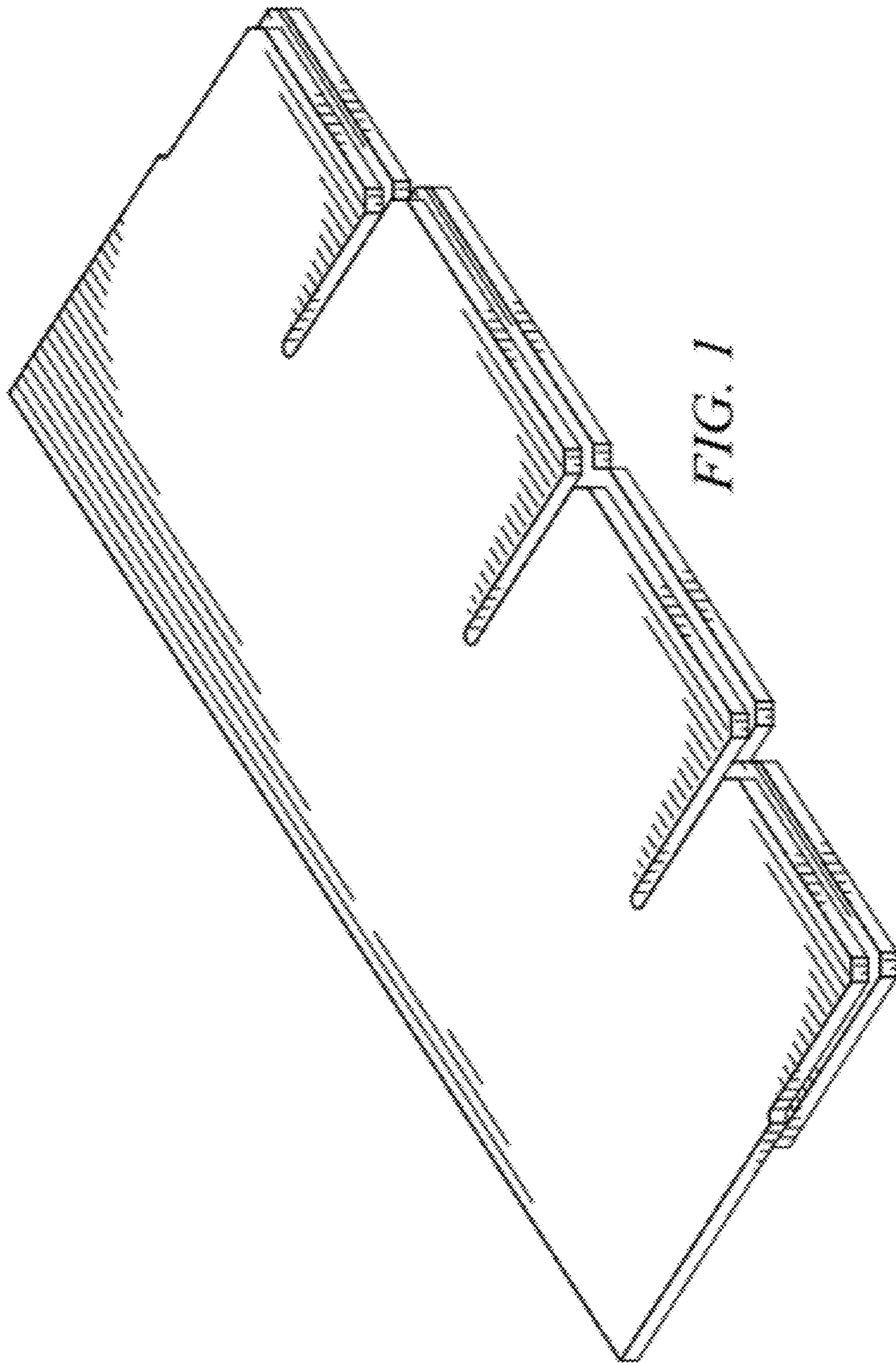


FIG. 26 is a top view of the staggered slate shingle shown in FIG. 25;  
FIG. 27 is a front view of the staggered slate shingle shown in FIG. 25;  
FIG. 28 is a back view of the staggered slate shingle shown in FIG. 25;  
FIG. 29 is a first side view of the staggered slate shingle shown in FIG. 25;  
FIG. 30 is a second side view of the staggered slate shingle shown in FIG. 25;  
FIG. 31 is a bottom view of the staggered slate shingle shown in FIG. 25;  
FIG. 32 is an exploded view of the staggered slate shingle shown in FIG. 25;  
FIG. 33 is a perspective view of a fifth embodiment of the staggered slate shingle in accordance with our design.  
FIG. 34 is a top view of the staggered slate shingle shown in FIG. 33;  
FIG. 35 is a front view of the staggered slate shingle shown in FIG. 33;  
FIG. 36 is a back view of the staggered slate shingle shown in FIG. 33;  
FIG. 37 is a first side view of the staggered slate shingle shown in FIG. 33;

FIG. 38 is a second side view of the staggered slate shingle shown in FIG. 33;  
FIG. 39 is a bottom view of the staggered slate shingle shown in FIG. 33;  
FIG. 40 is an exploded view of the staggered slate shingle shown in FIG. 33;  
FIG. 41 is a perspective view of a fifth embodiment of the staggered slate shingle in accordance with our design.  
FIG. 42 is a top view of the staggered slate shingle shown in FIG. 41;  
FIG. 43 is a front view of the staggered slate shingle shown in FIG. 41;  
FIG. 44 is a back view of the staggered slate shingle shown in FIG. 41;  
FIG. 45 is a first side view of the staggered slate shingle shown in FIG. 41;  
FIG. 46 is a second side view of the staggered slate shingle shown in FIG. 41;  
FIG. 47 is a bottom view of the staggered slate shingle shown in FIG. 41; and,  
FIG. 48 is an exploded view of the staggered slate shingle shown in FIG. 41.

**1 Claim, 24 Drawing Sheets**



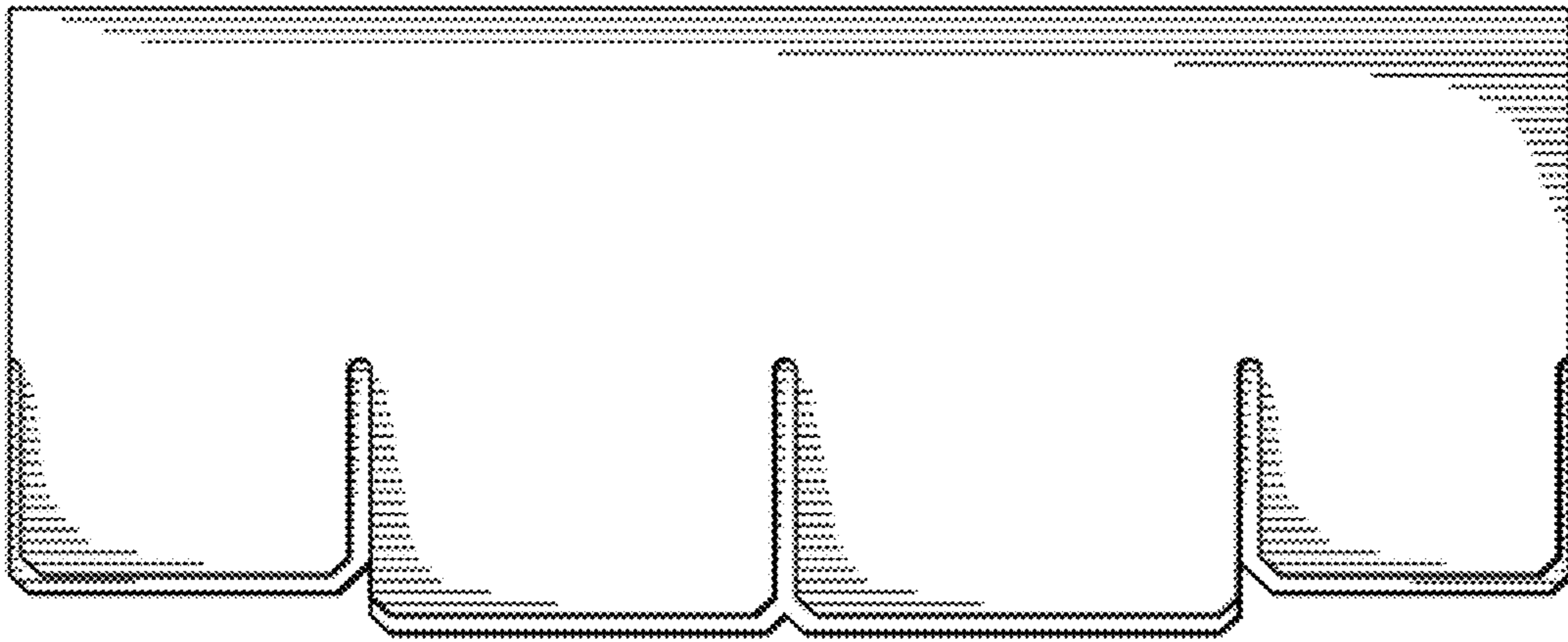


FIG. 2



FIG. 3



FIG. 4



FIG. 5



FIG. 6

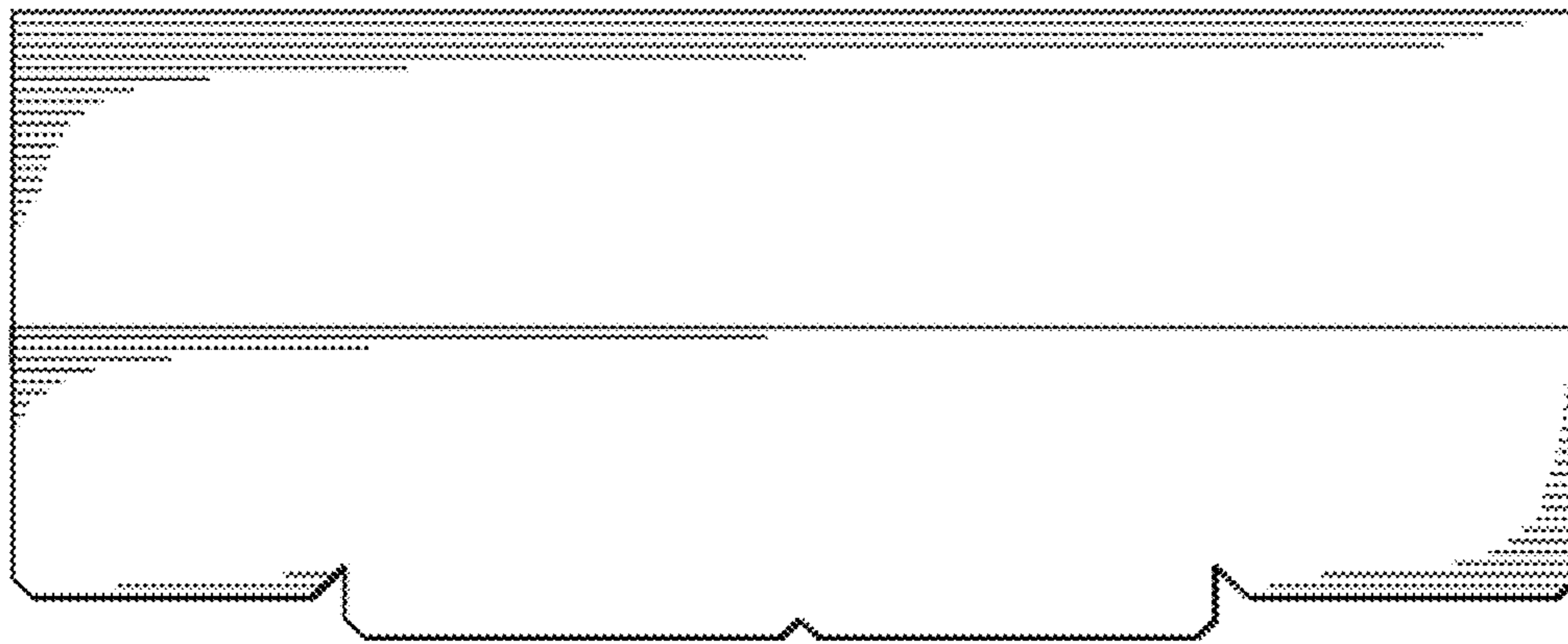
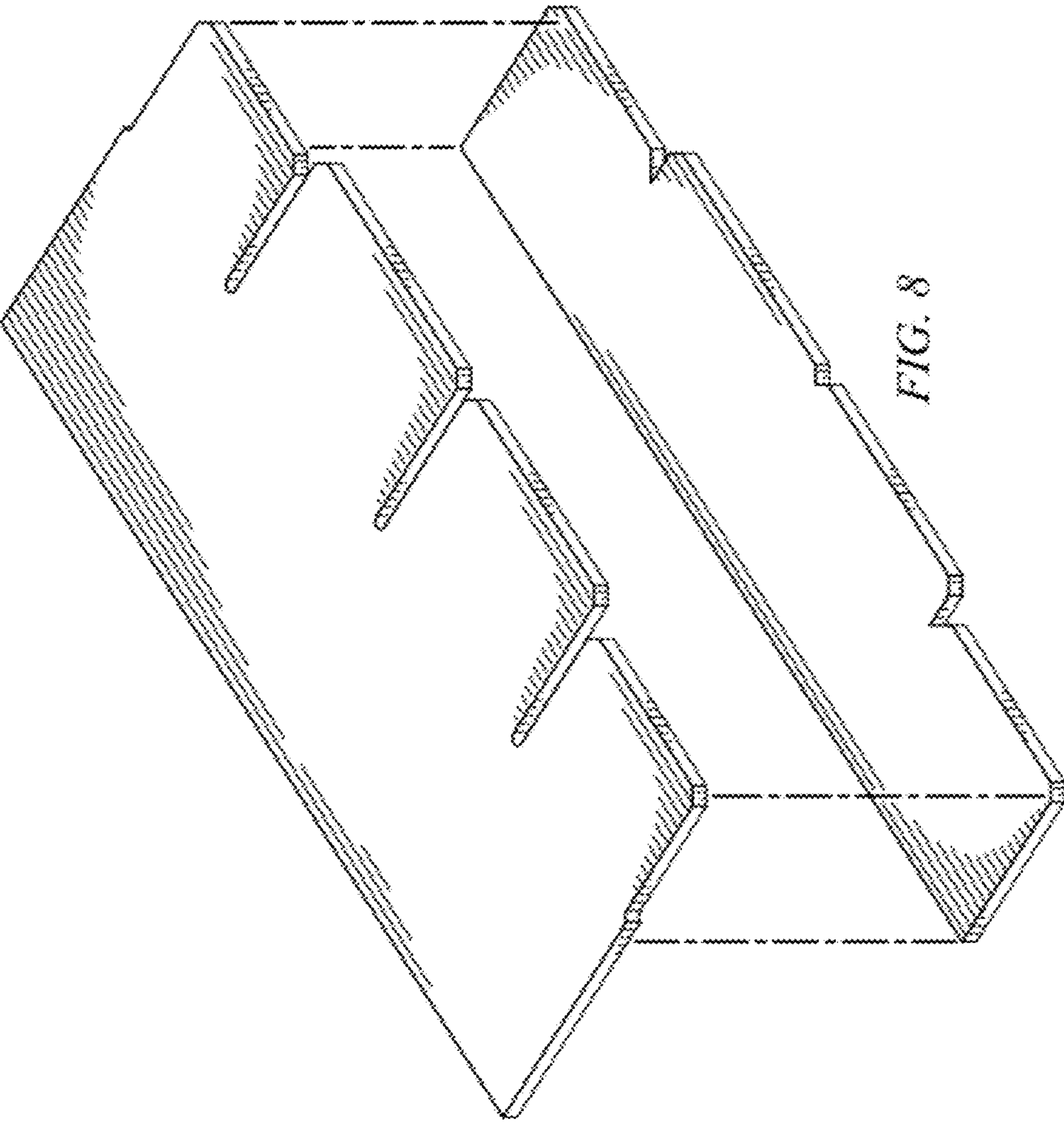
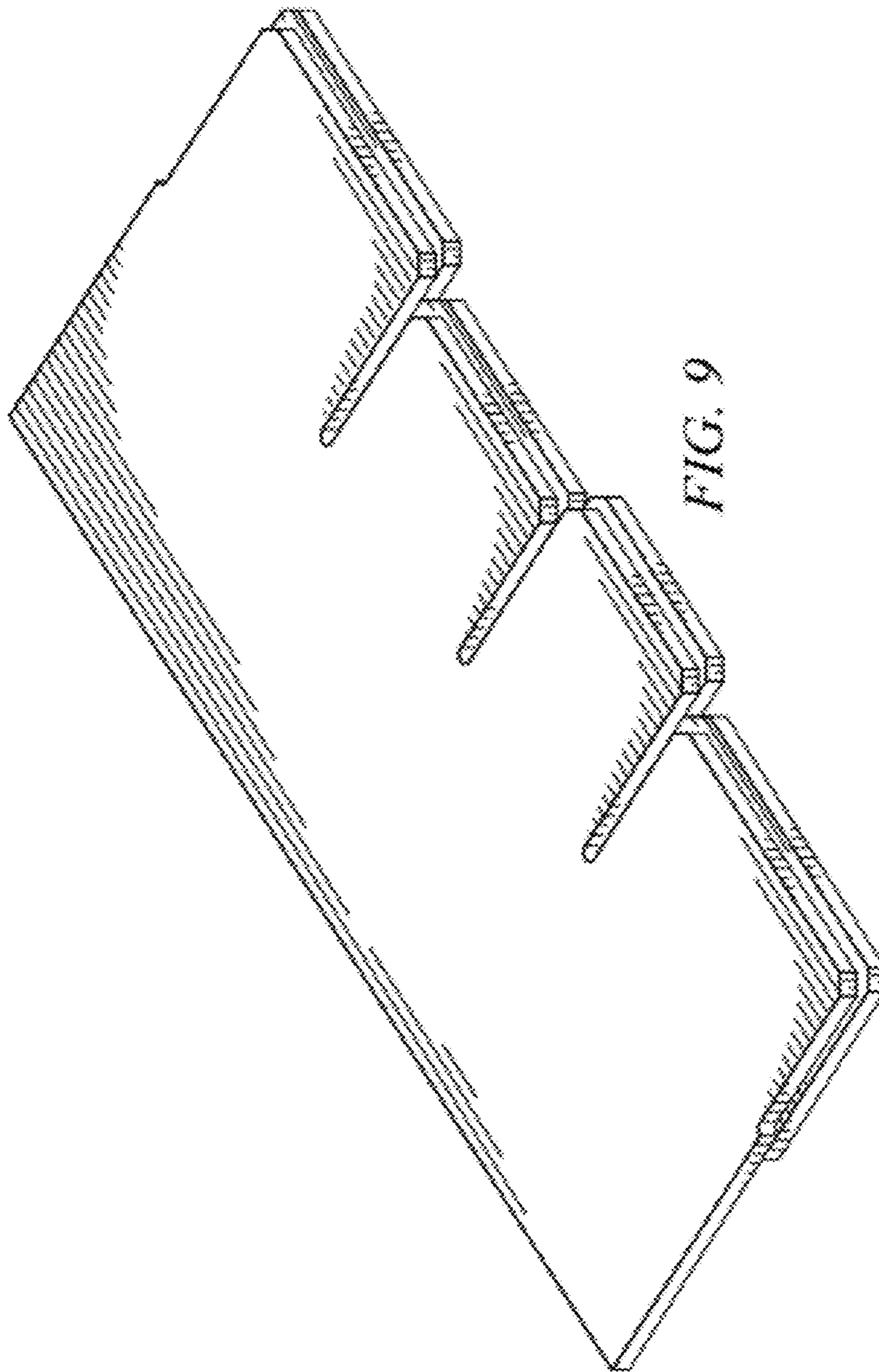


FIG. 7





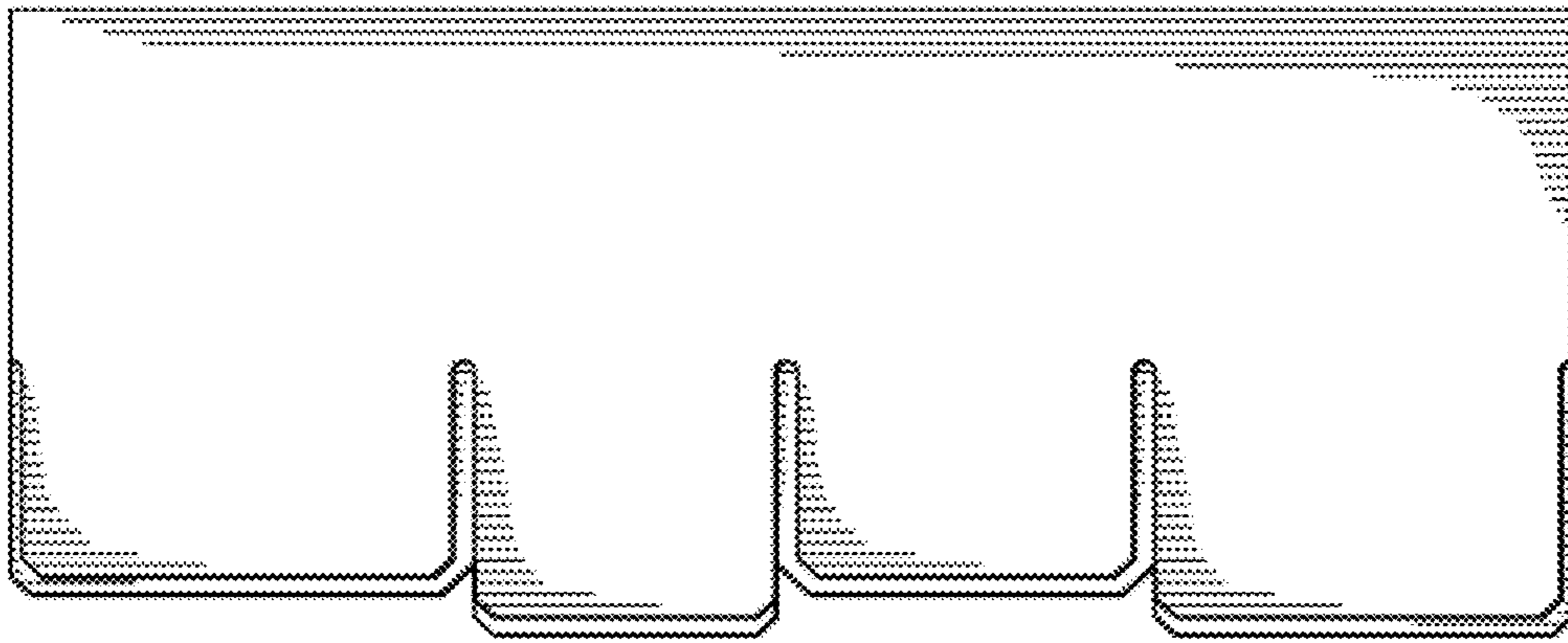


FIG. 10



FIG. 11



FIG. 12





FIG. 13



FIG. 14

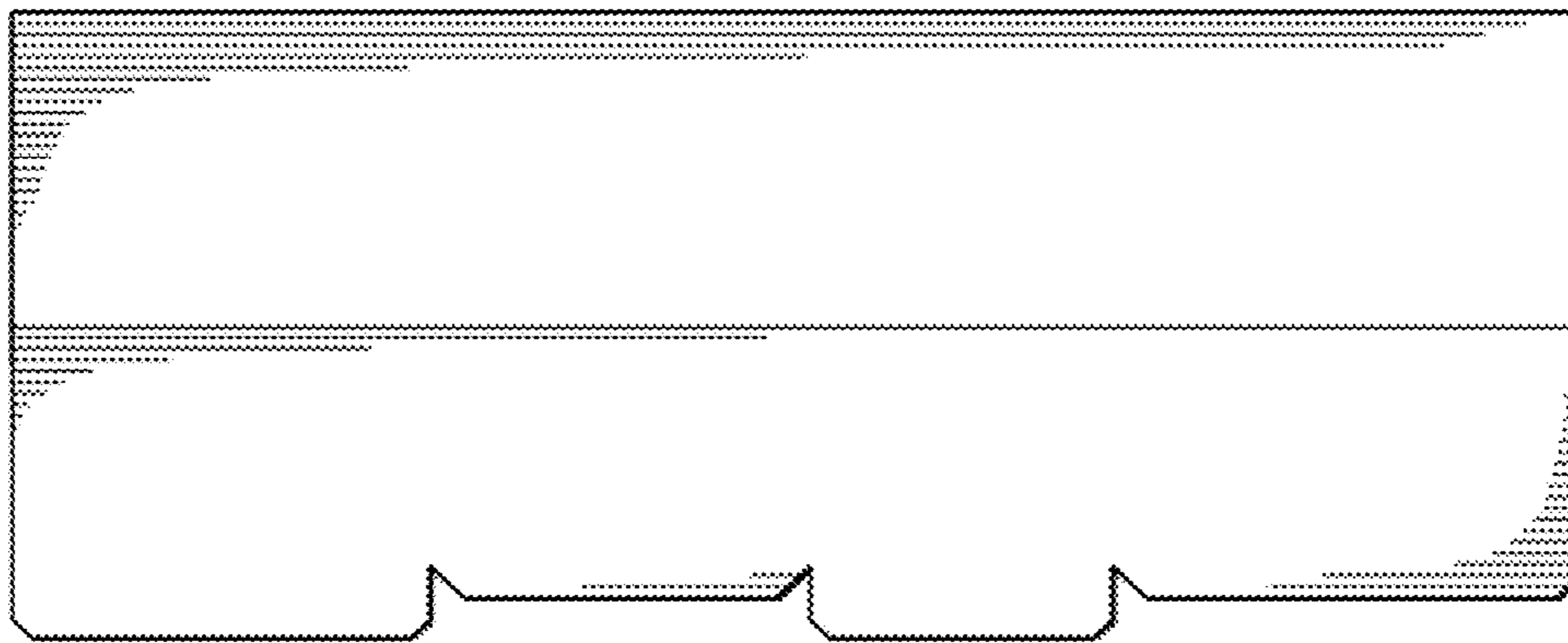
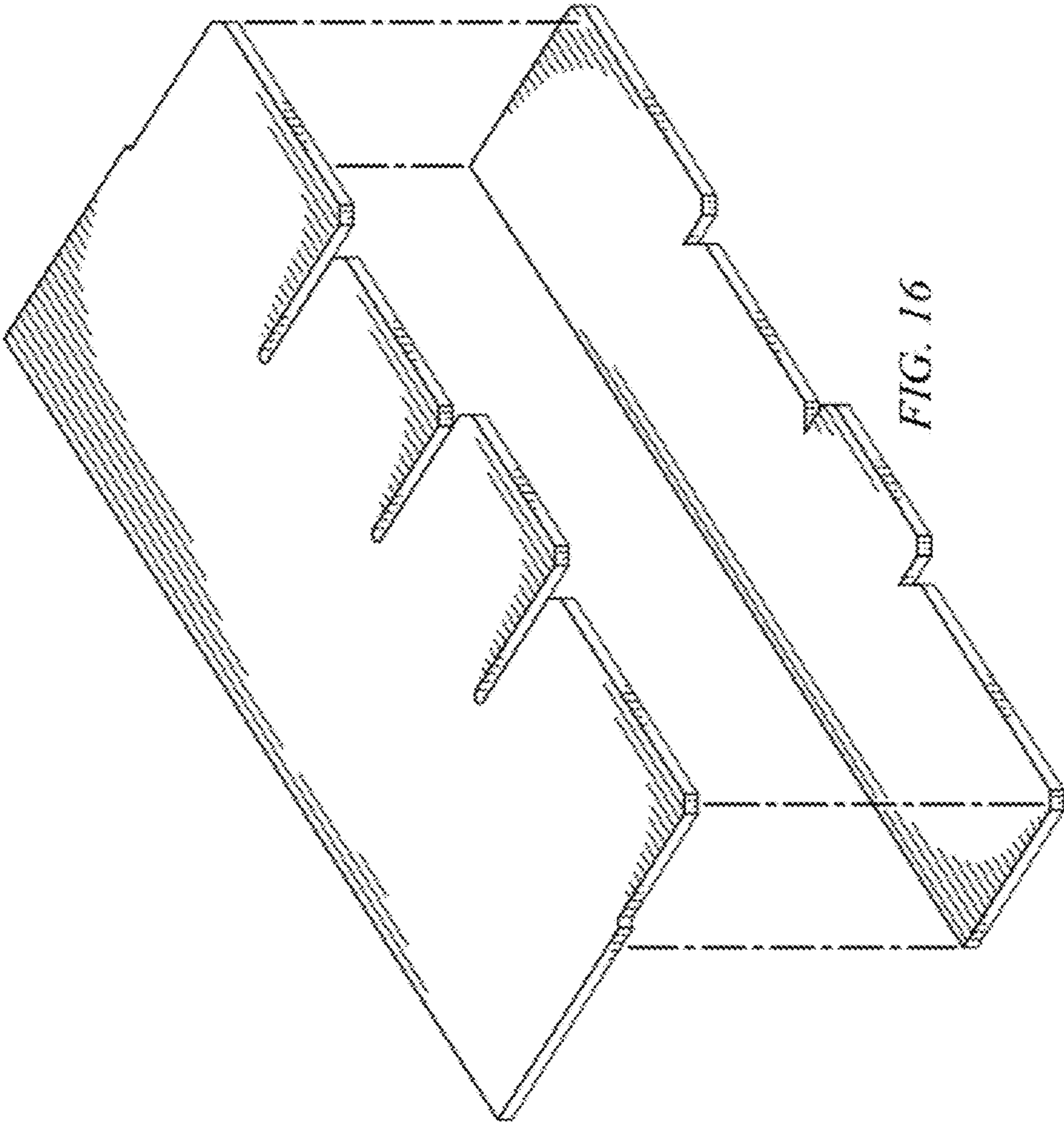
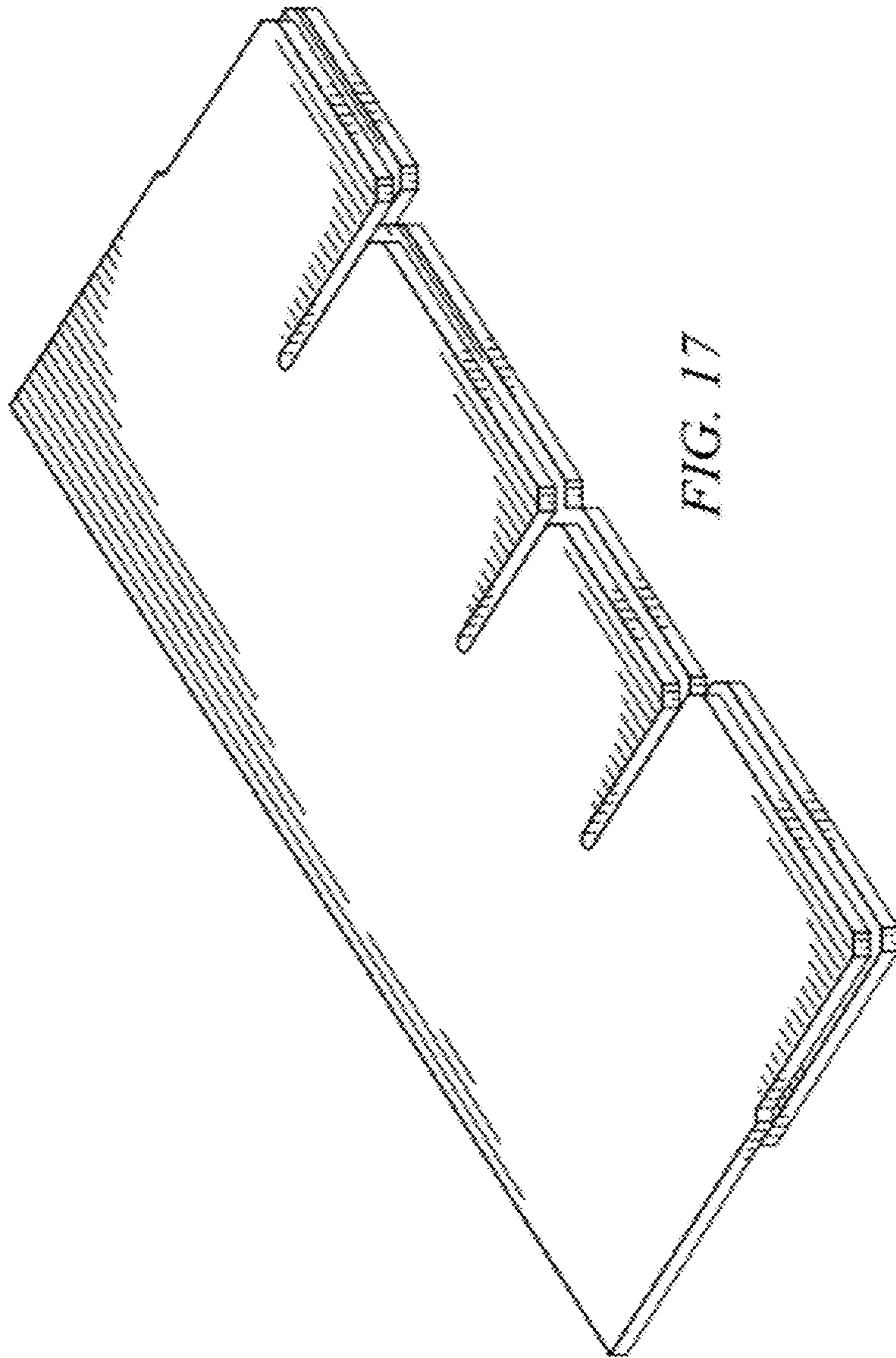


FIG. 15





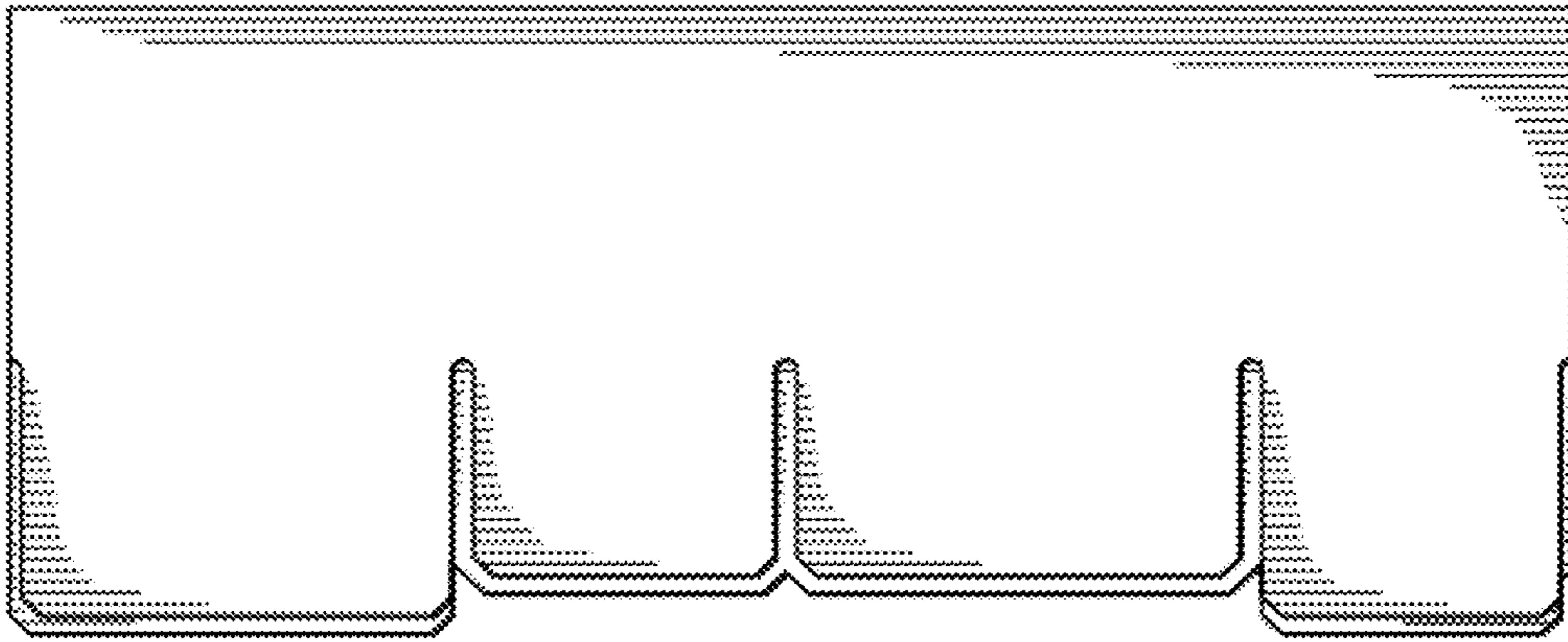


FIG. 18



FIG. 19

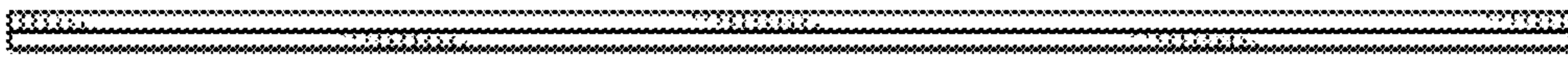


FIG. 20



FIG. 21



FIG. 22

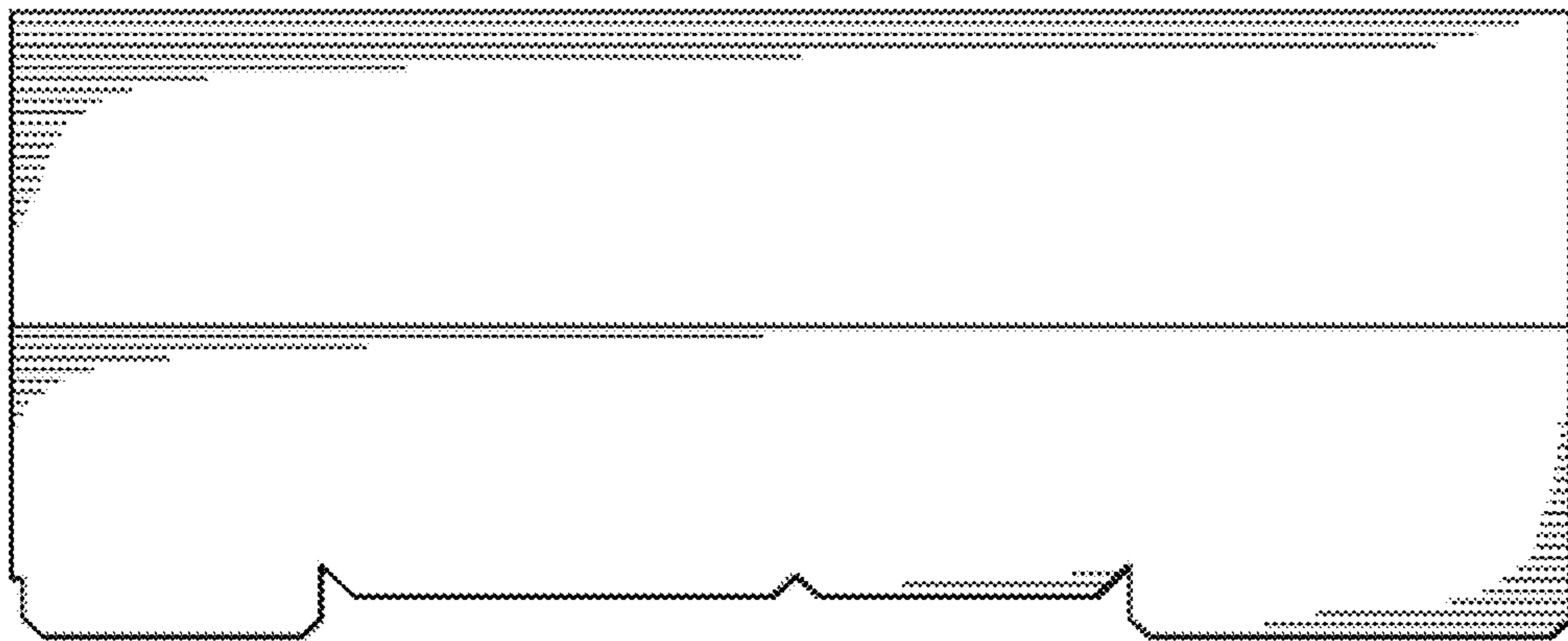


FIG. 23

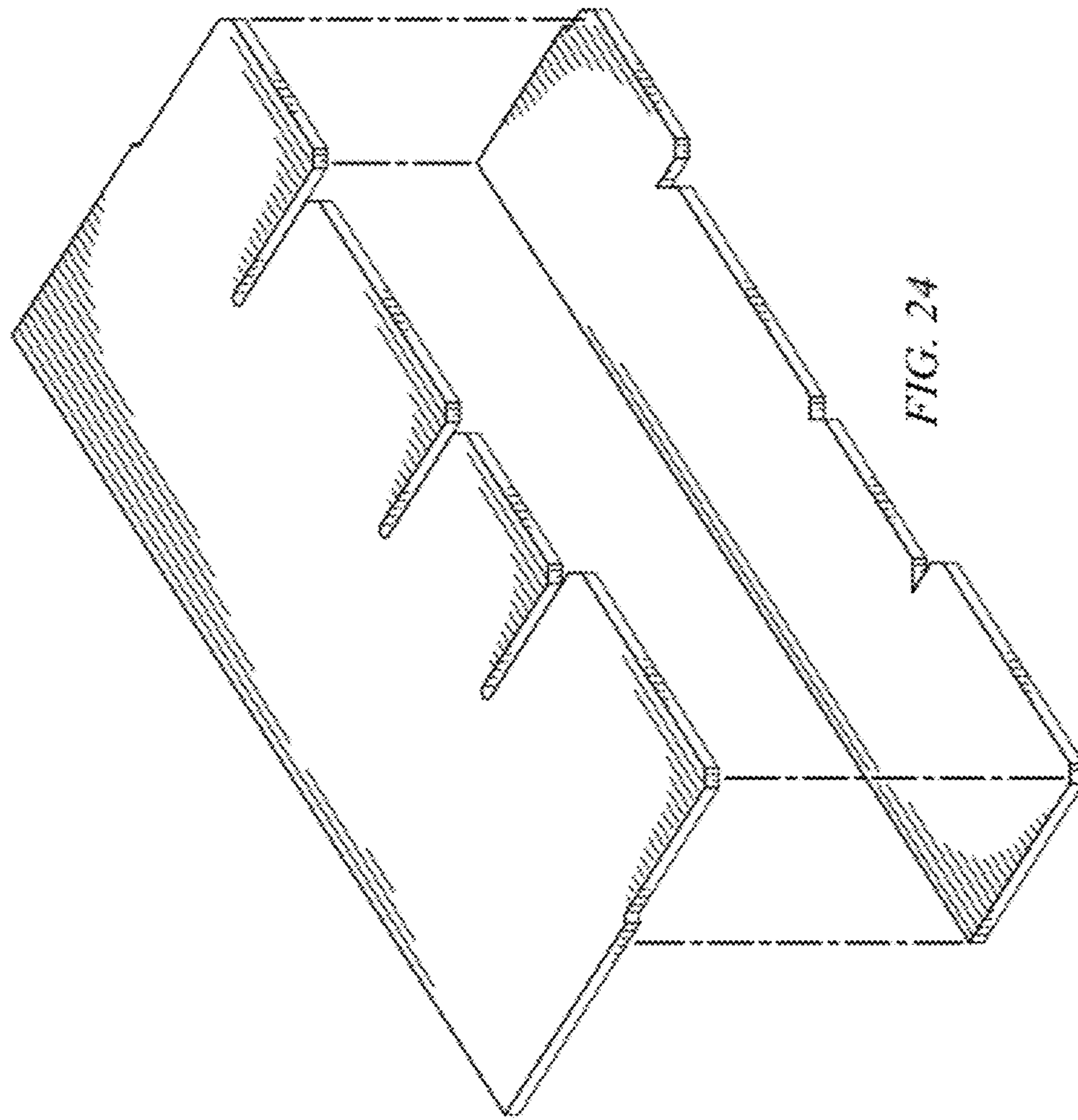
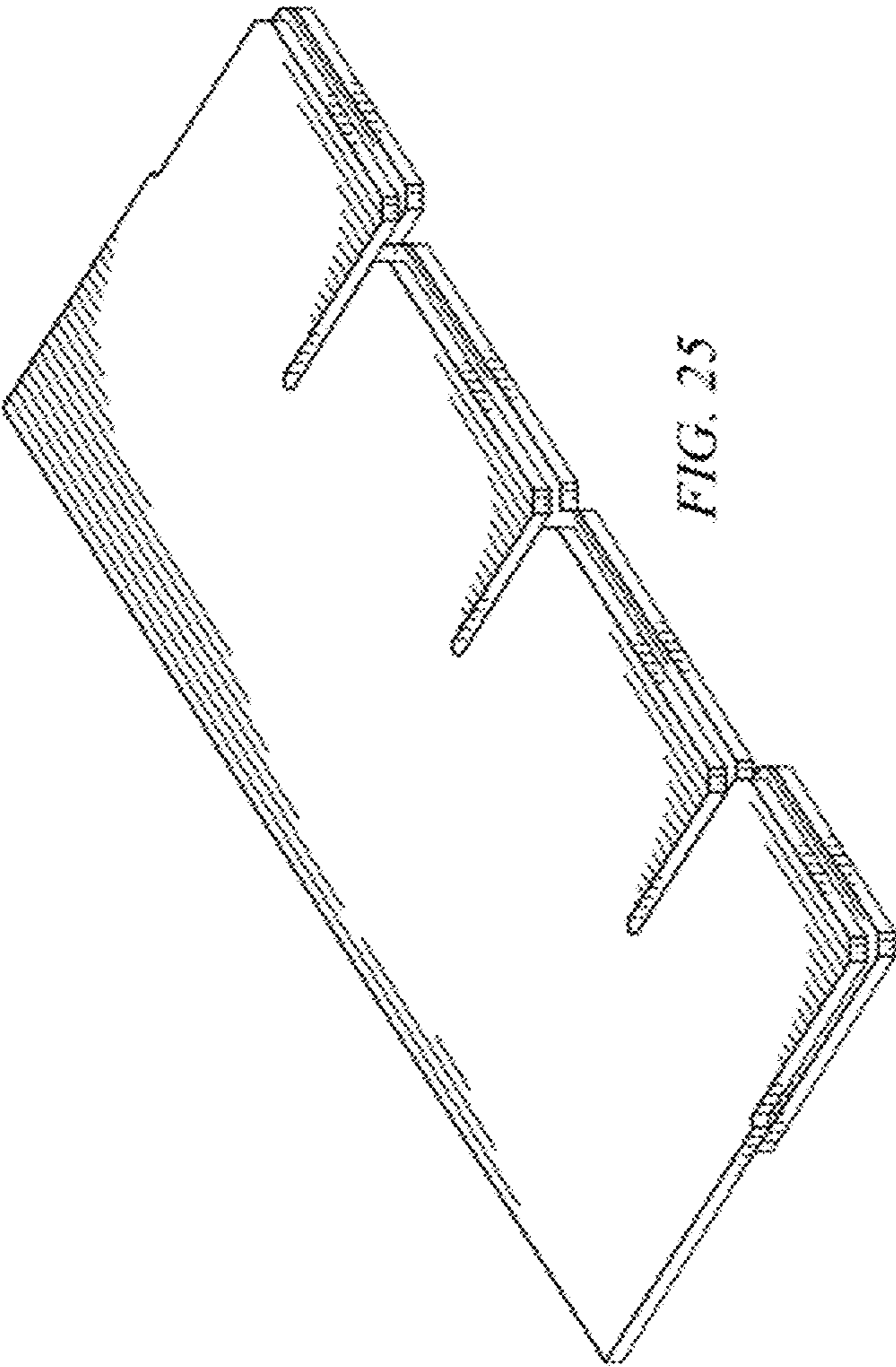


FIG. 24



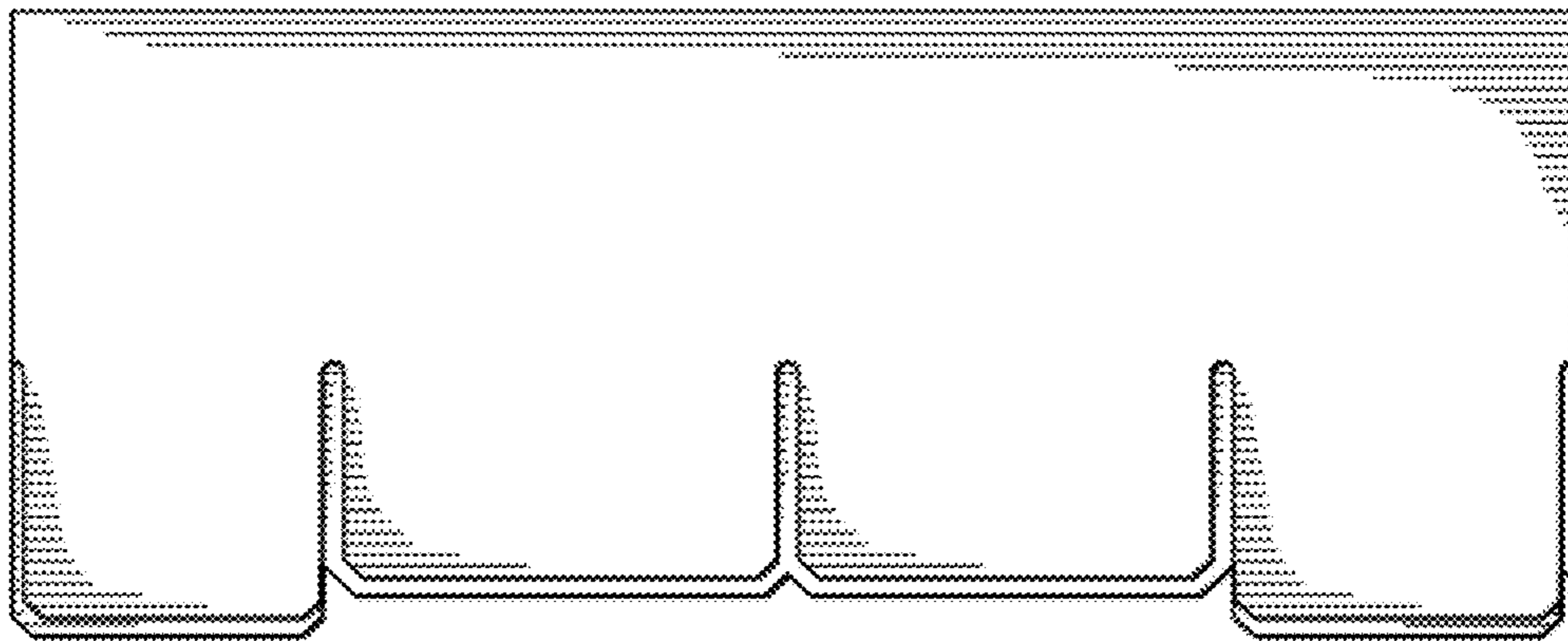


FIG. 26



FIG. 27

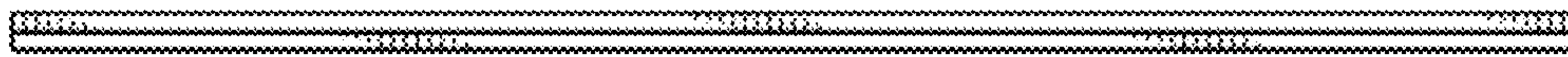


FIG. 28





FIG. 29



FIG. 30

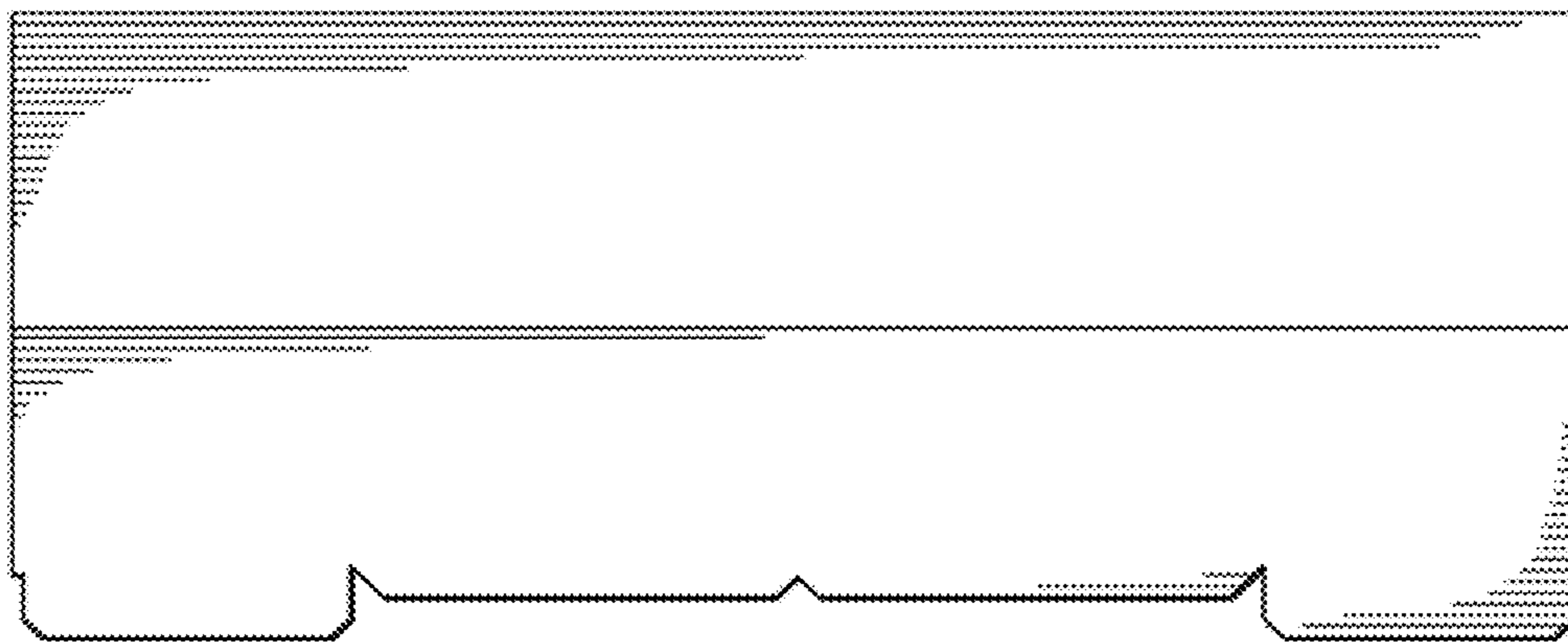
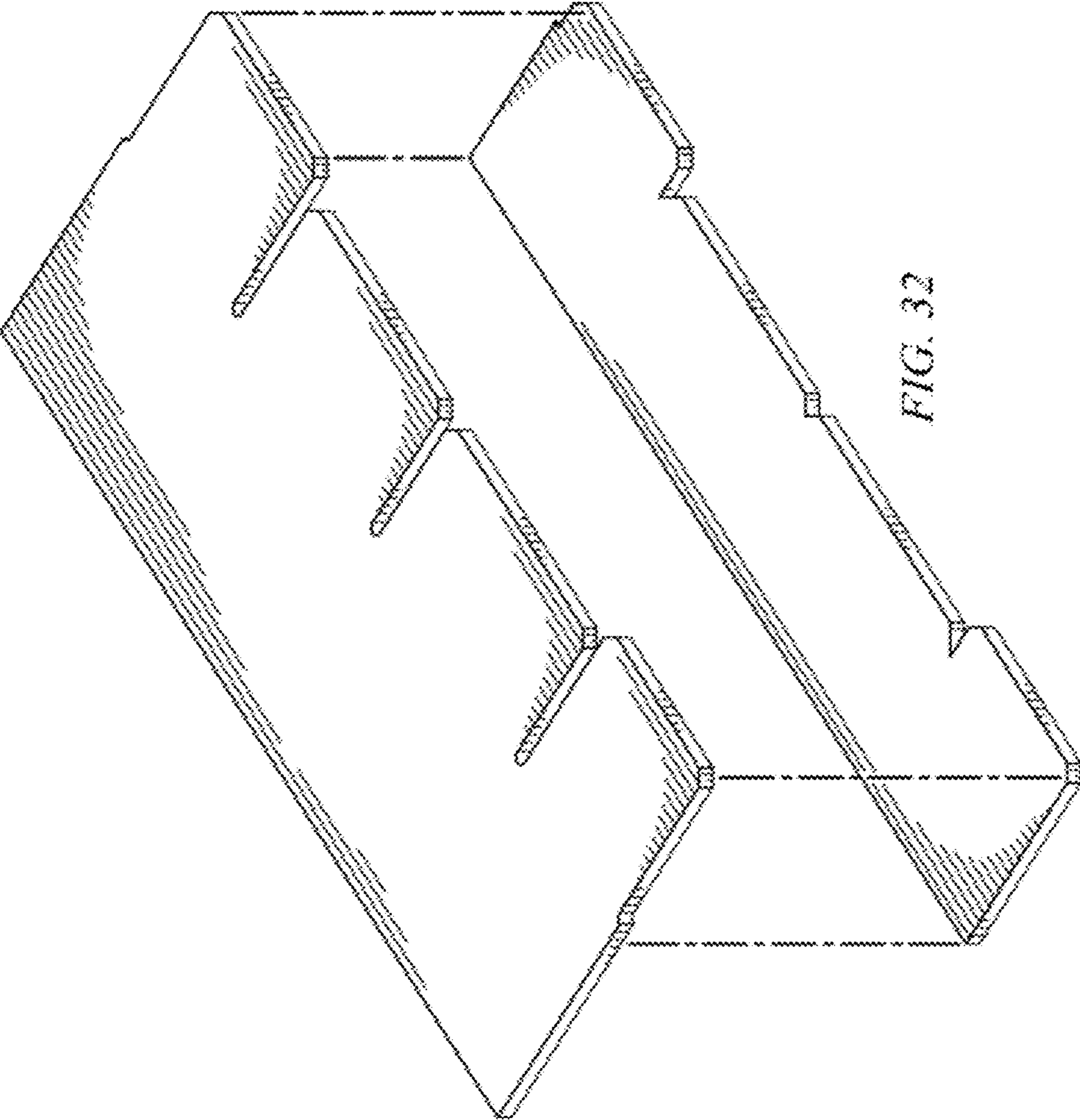
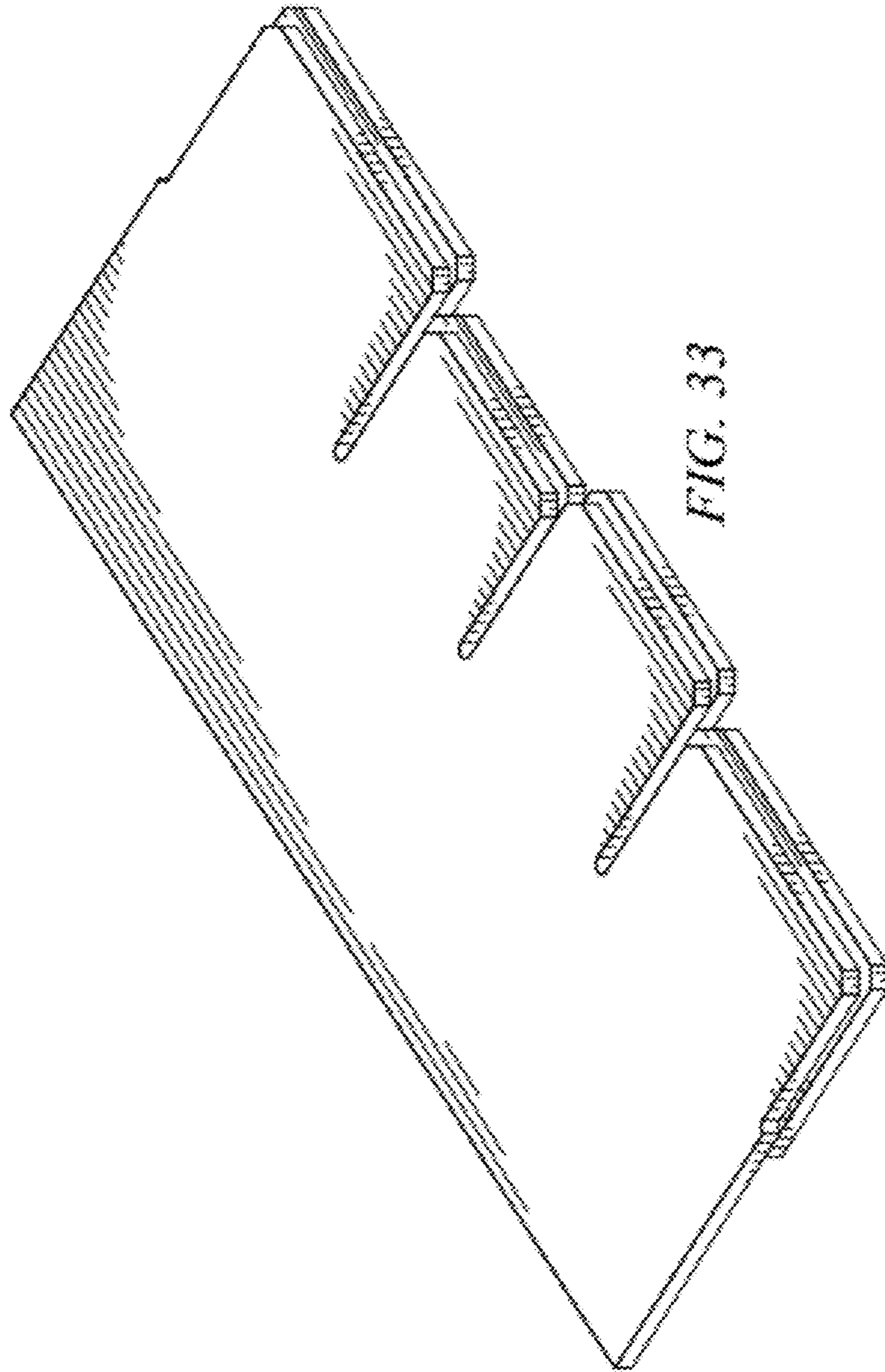


FIG. 31





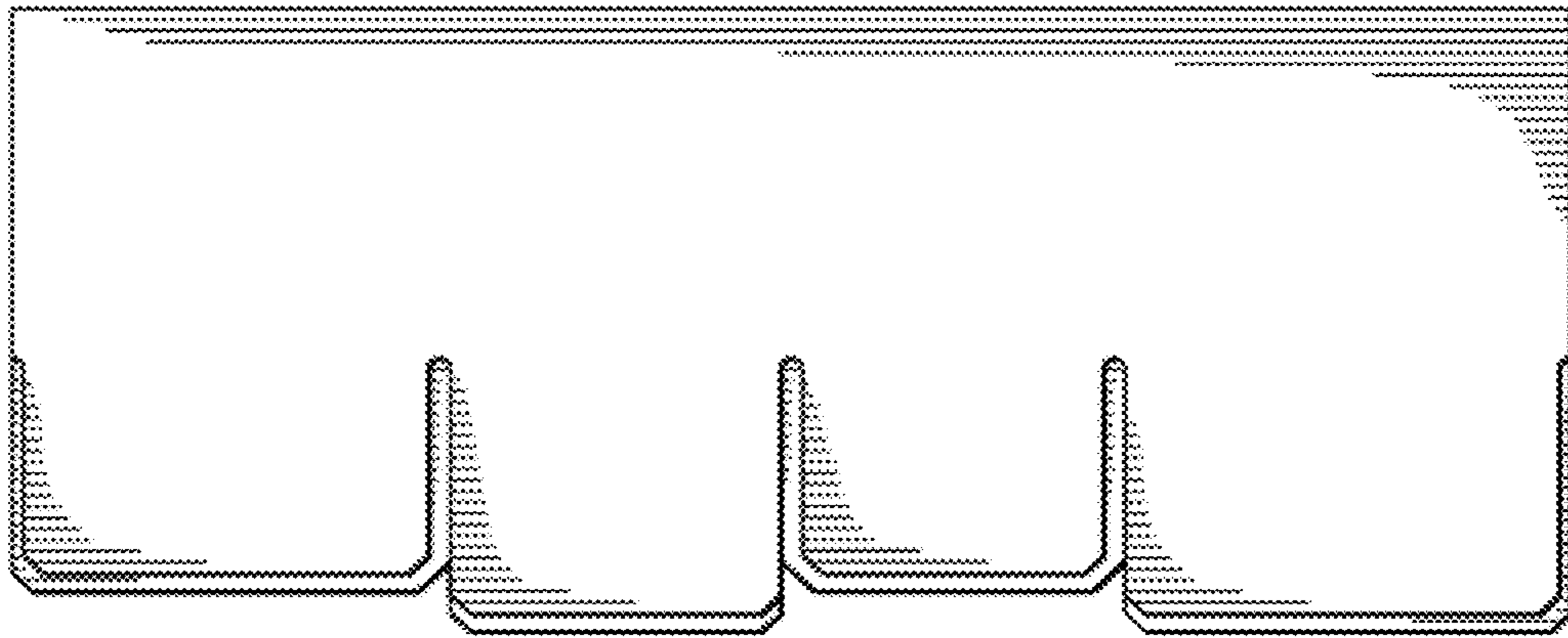


FIG. 34



FIG. 35



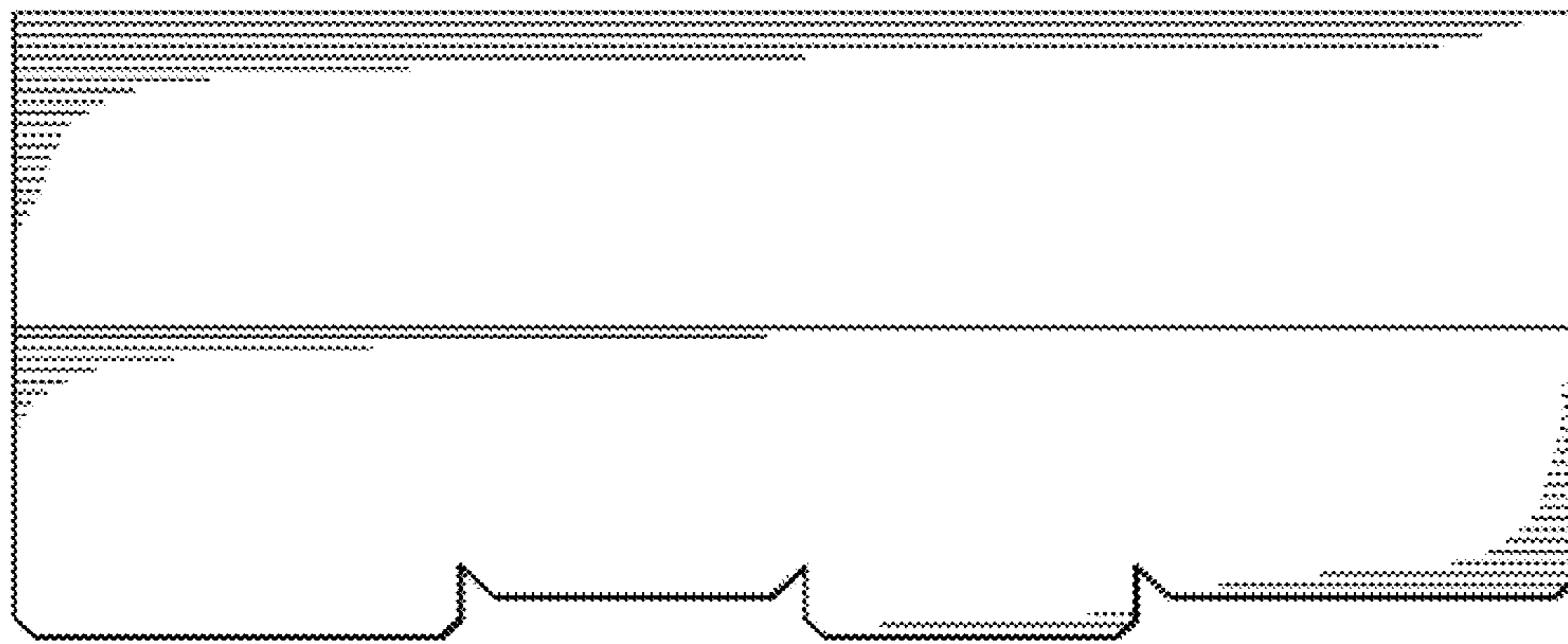
FIG. 36



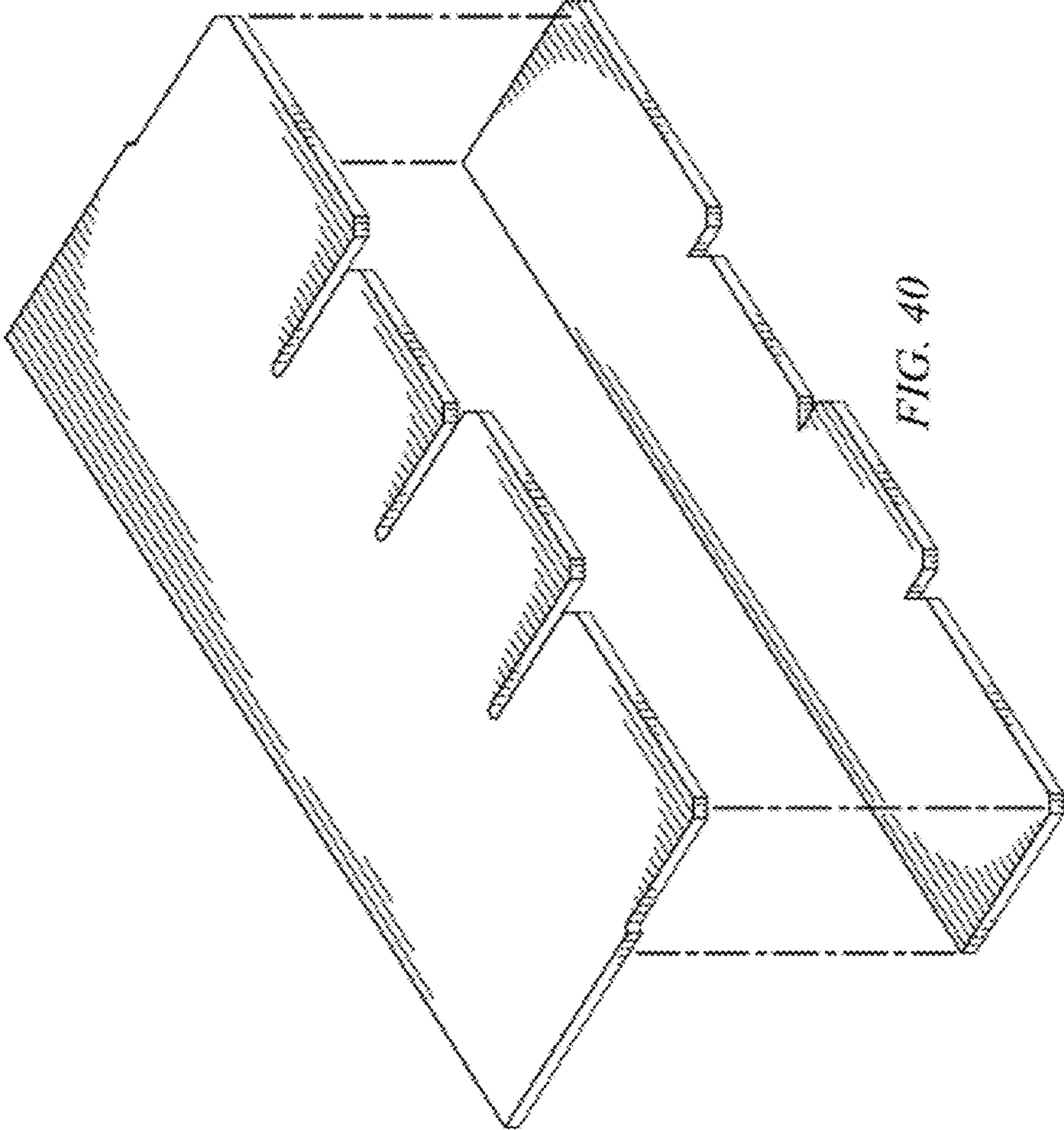
*FIG. 37*

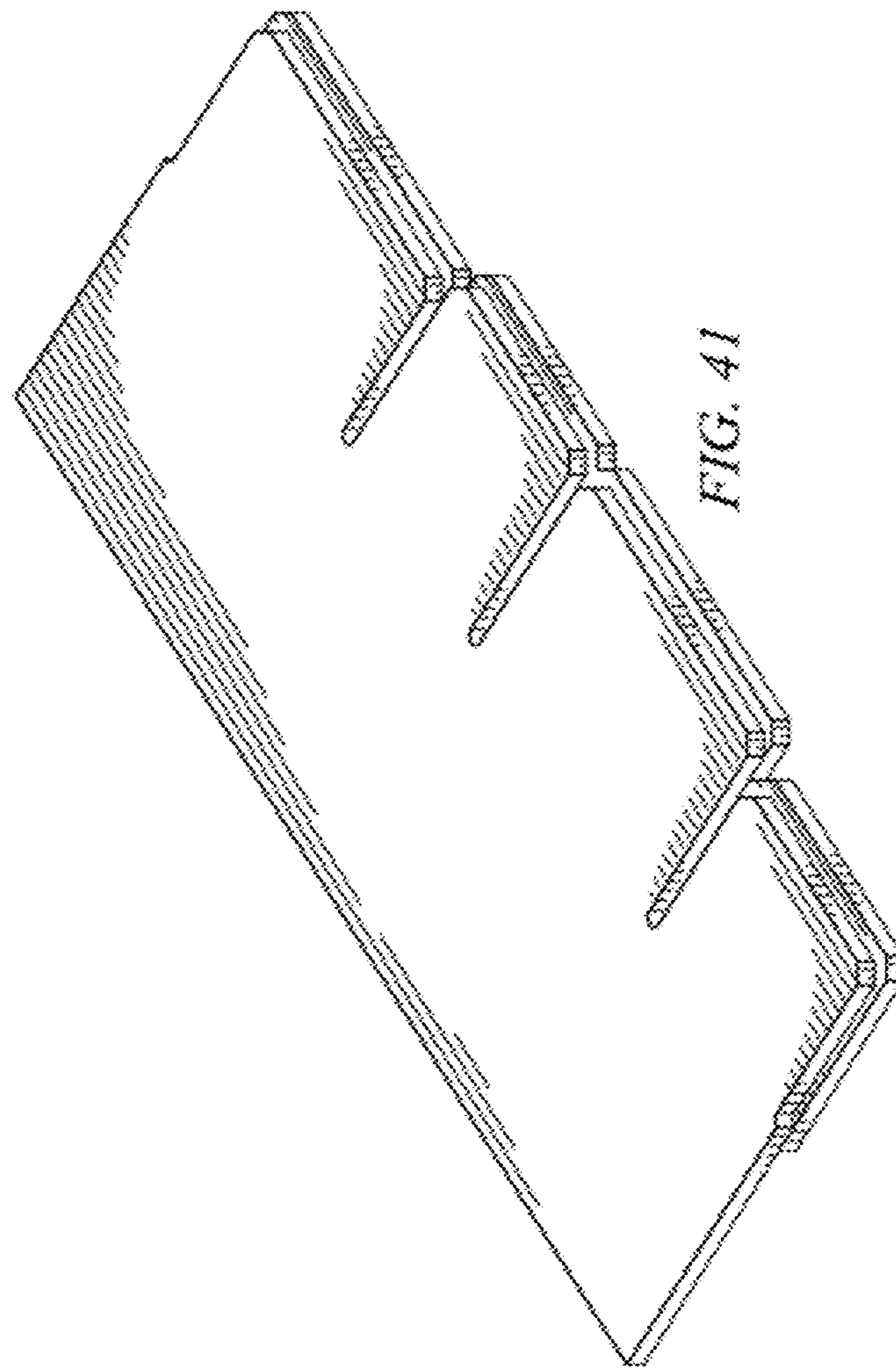


*FIG. 38*



*FIG. 39*





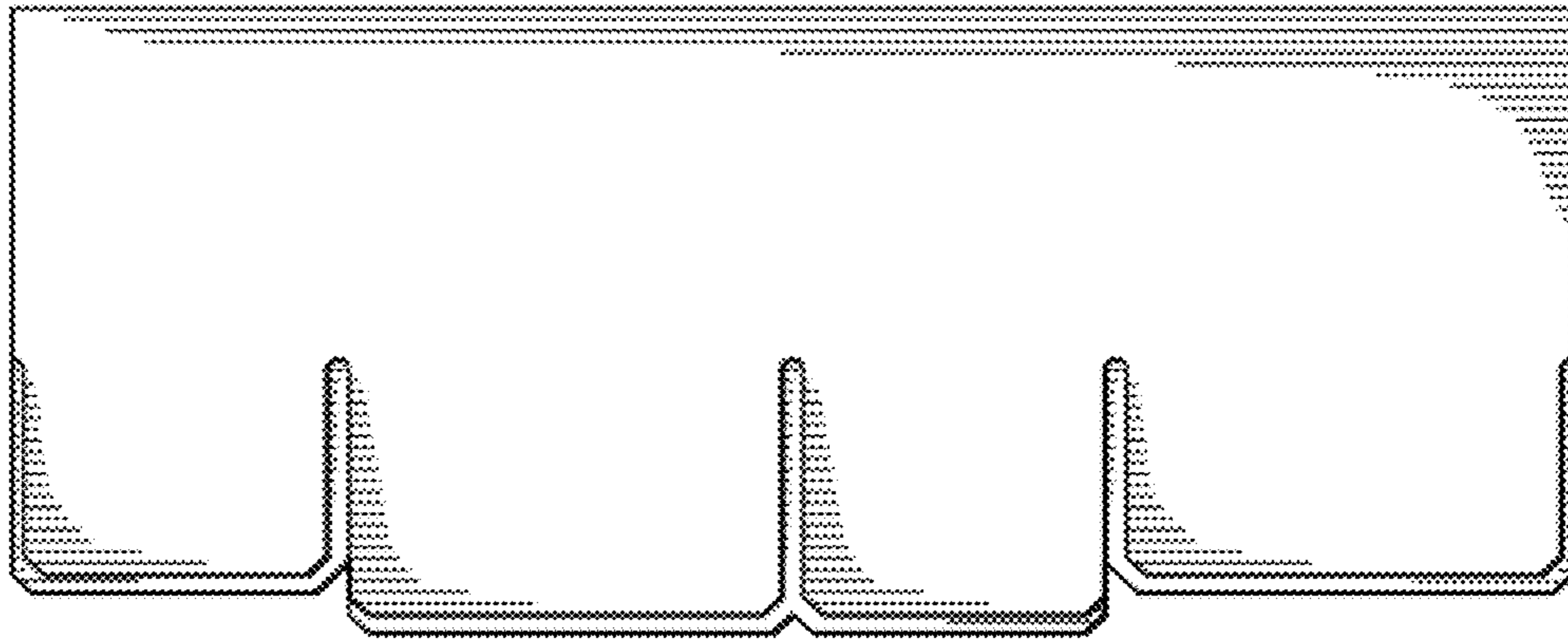


FIG. 42



FIG. 43

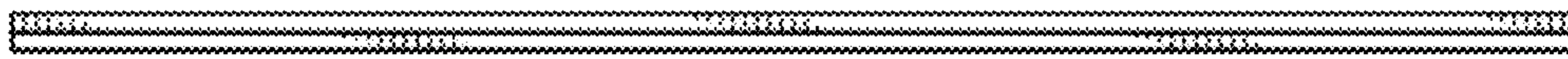


FIG. 44





FIG. 45



FIG. 46

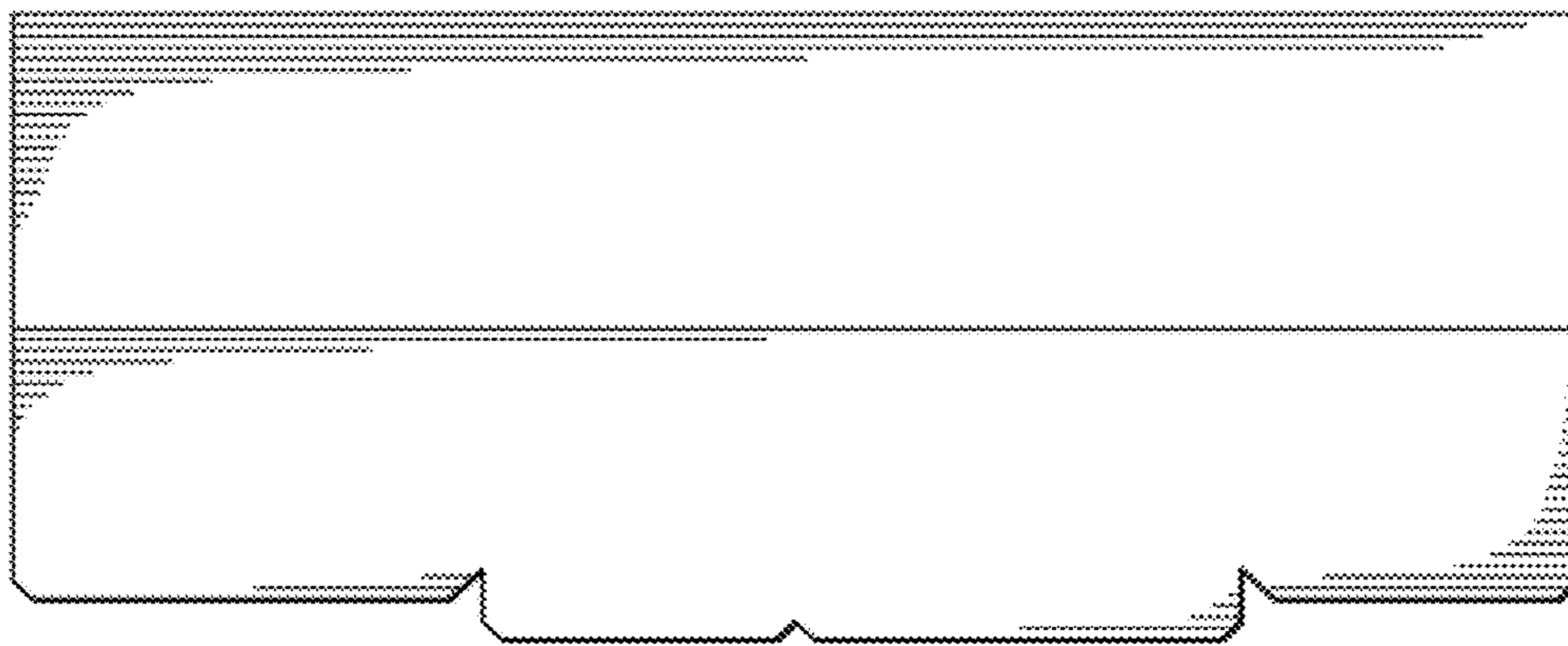
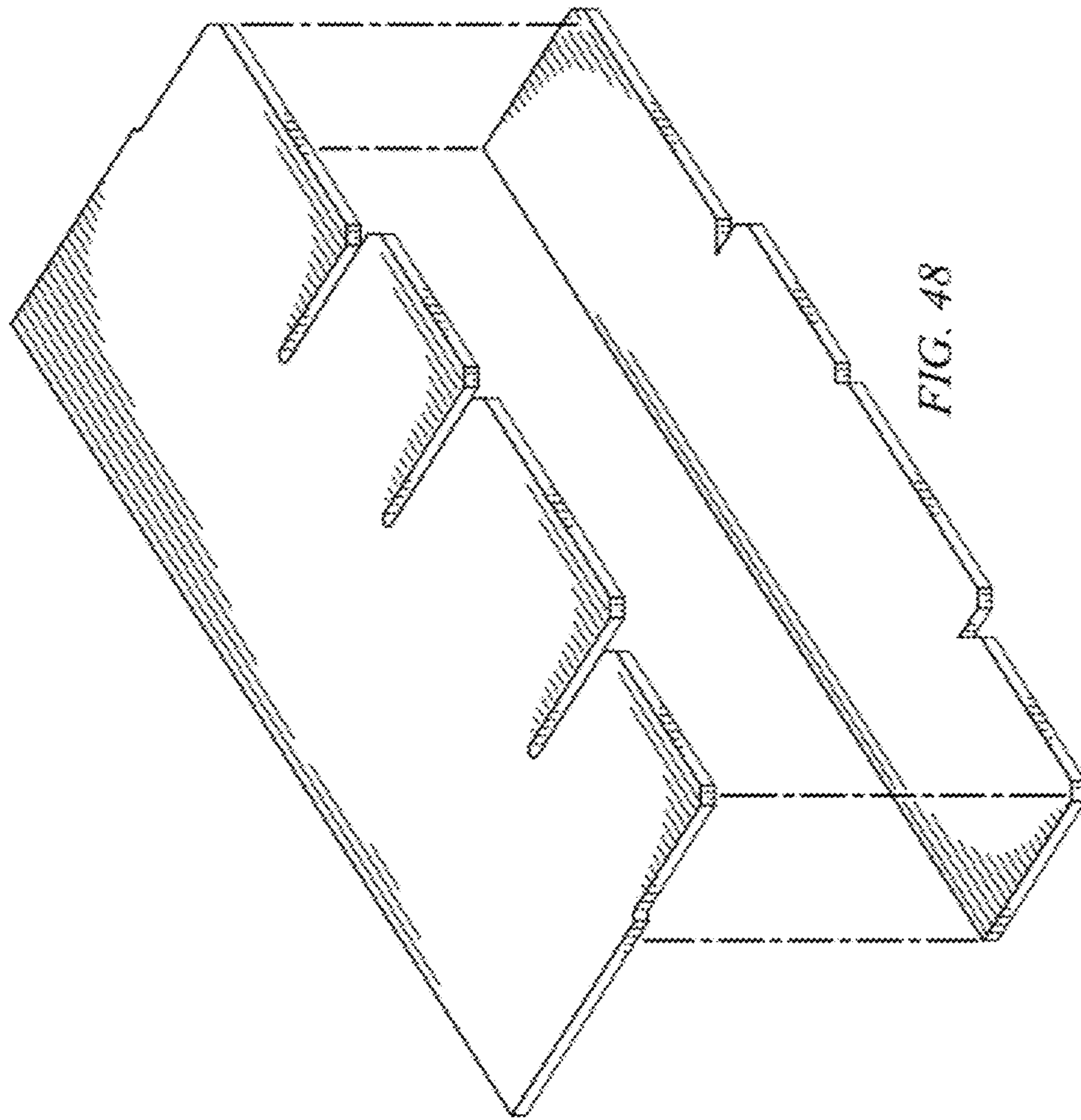


FIG. 47



UNITED STATES PATENT AND TRADEMARK OFFICE  
**CERTIFICATE OF CORRECTION**

PATENT NO. : D665,103 S  
APPLICATION NO. : 29/409287  
DATED : August 7, 2012  
INVENTOR(S) : Tommy F. Rodrigues et al.

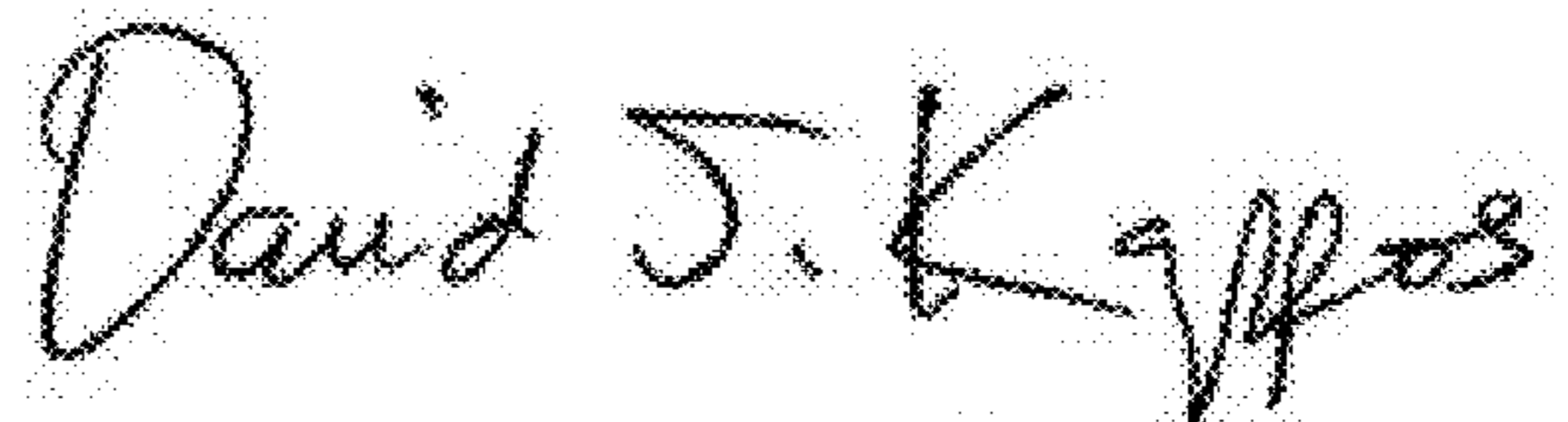
Page 1 of 1

It is certified that error appears in the above-identified patent and that said Letters Patent is hereby corrected as shown below:

Title Page, insert Item (60):

-- This application is a continuation-in-part application of U.S. Design Application No. 29/385,171 which was filed on February 9, 2011. --

Signed and Sealed this  
Sixteenth Day of October, 2012

A handwritten signature in black ink that reads "David J. Kappos". The signature is written in a cursive, slightly slanted style.

David J. Kappos  
*Director of the United States Patent and Trademark Office*