

US00D665102S

(12) **United States Design Patent**  
**Stull**

(10) **Patent No.:** **US D665,102 S**  
(45) **Date of Patent:** **\*\* Aug. 7, 2012**

(54) **GATE POST**

(56) **References Cited**

(75) Inventor: **Edward J. Stull**, Oxford, MI (US)  
(73) Assignee: **Turnstyle Intellectual Property, LLC**,  
Georgetown, SC (US)  
(\*\*) Term: **14 Years**  
(21) Appl. No.: **29/412,476**  
(22) Filed: **Feb. 3, 2012**

U.S. PATENT DOCUMENTS

4,073,477 A 2/1978 Walters  
5,255,899 A \* 10/1993 von Grozny ..... 256/59  
5,695,174 A 12/1997 Tsai  
D416,333 S 11/1999 Stansfield  
D616,114 S \* 5/2010 Harder ..... D25/126

\* cited by examiner

*Primary Examiner* — Doris Clark  
(74) *Attorney, Agent, or Firm* — Carlson, Gaskey & Olds,  
P.C.

**Related U.S. Application Data**

(62) Division of application No. 29/359,354, filed on Apr.  
9, 2010, now Pat. No. Des. 655,428.  
(51) **LOC (9) Cl.** ..... **25-01**  
(52) **U.S. Cl.** ..... **D25/125**  
(58) **Field of Classification Search** ..... D25/126;  
256/22, 19, 65.02, 65.14, 59

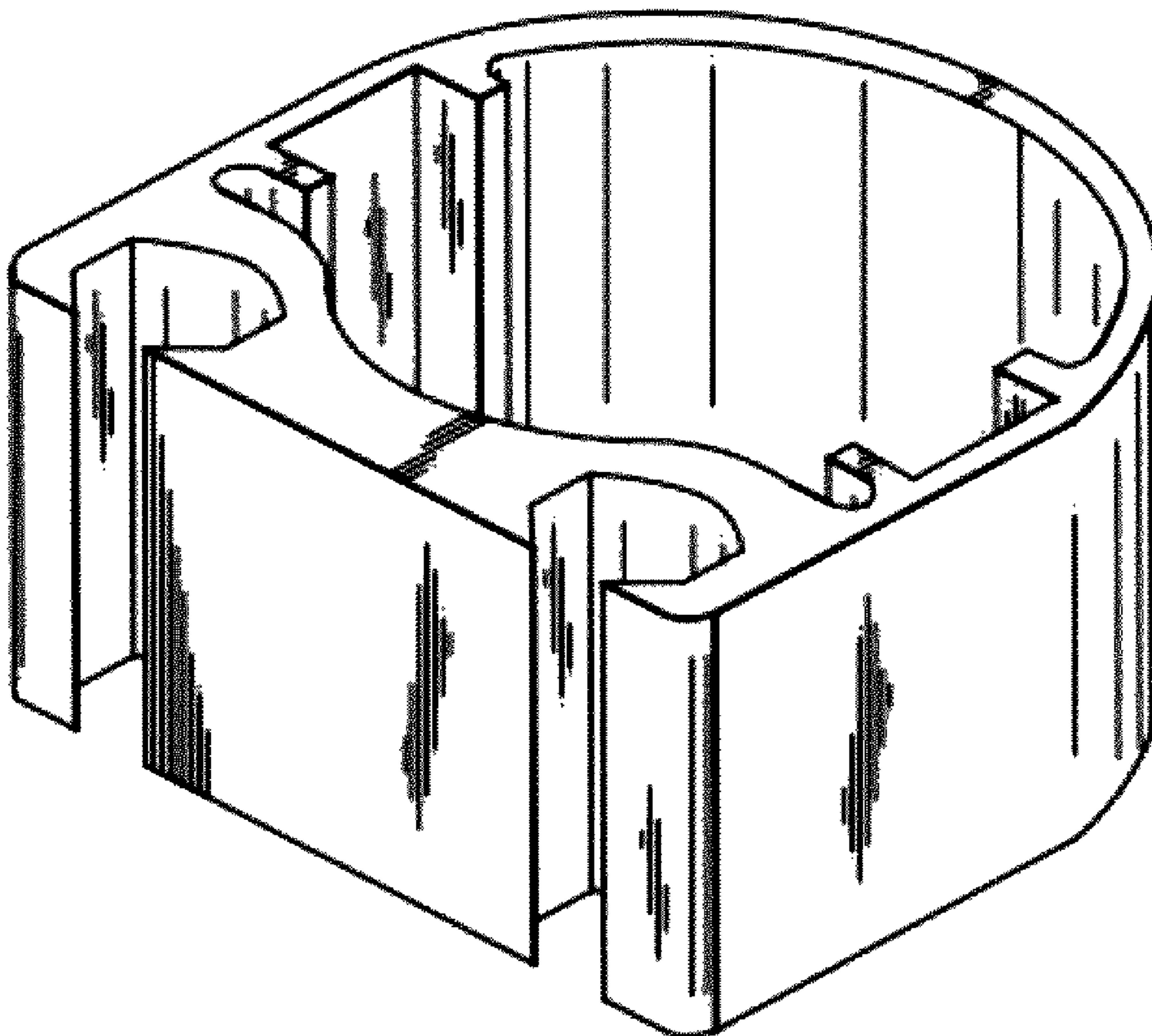
See application file for complete search history.

(57) **CLAIM**  
The ornamental design for a gate post, as shown and  
described.

**DESCRIPTION**

FIG. 1 is a top view of gate post.  
FIG. 2 is a perspective view of the gate post shown in FIG. 1.  
FIG. 3 is a front view of the gate post shown in FIG. 1; and,  
FIG. 4 is a rear view of the gate post shown in FIG. 1.

**1 Claim, 1 Drawing Sheet**



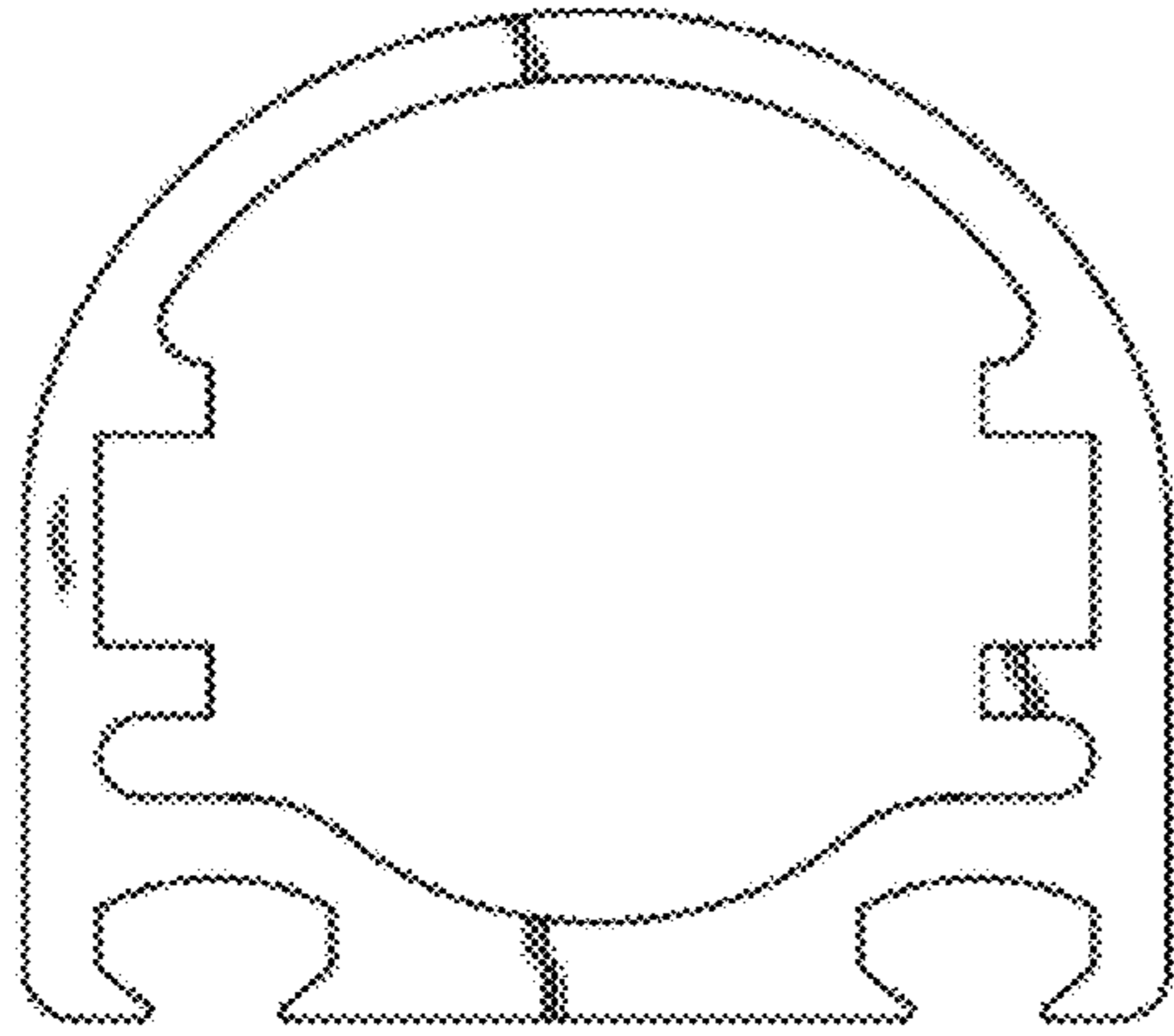


FIG. 1

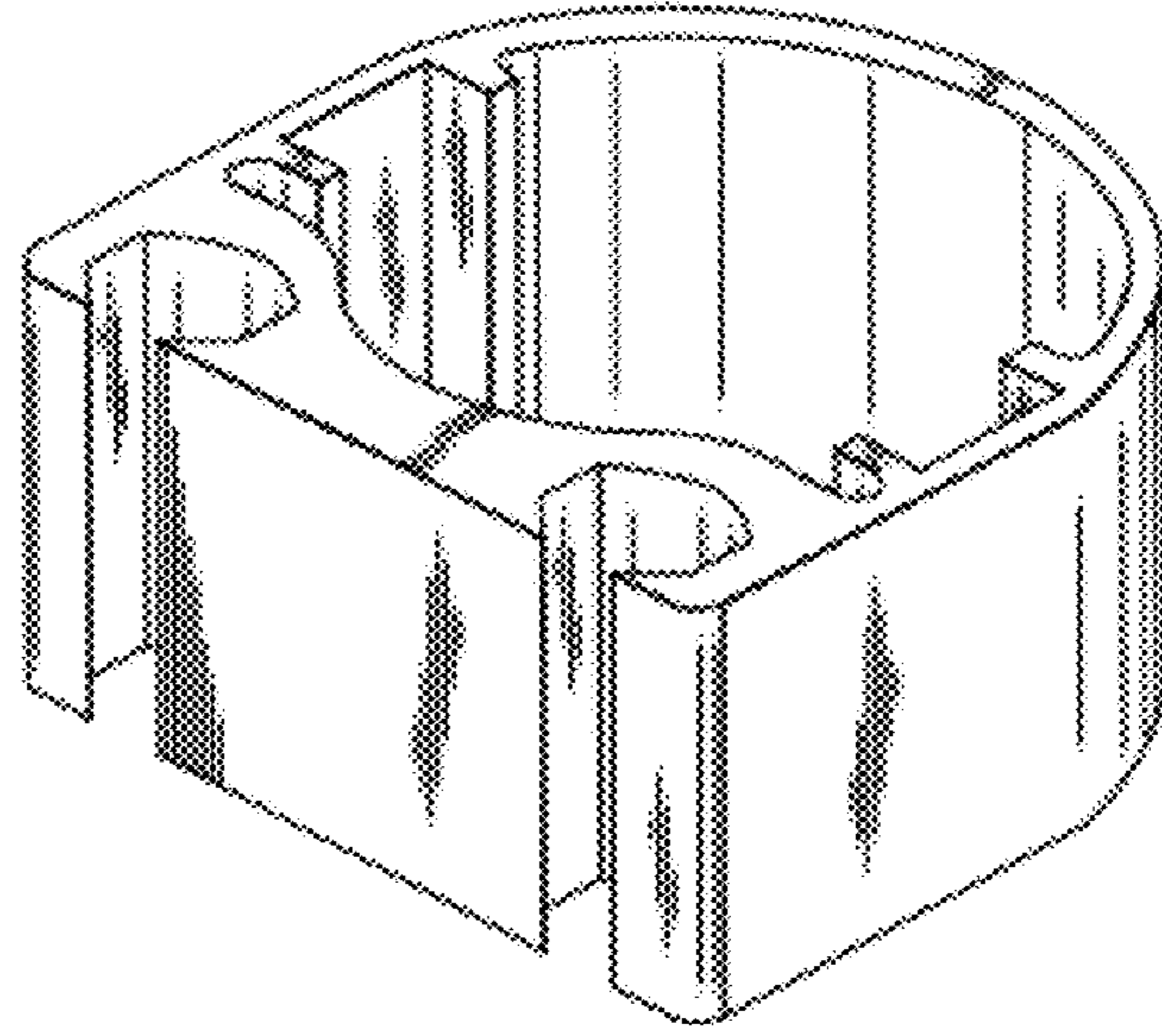


FIG. 2

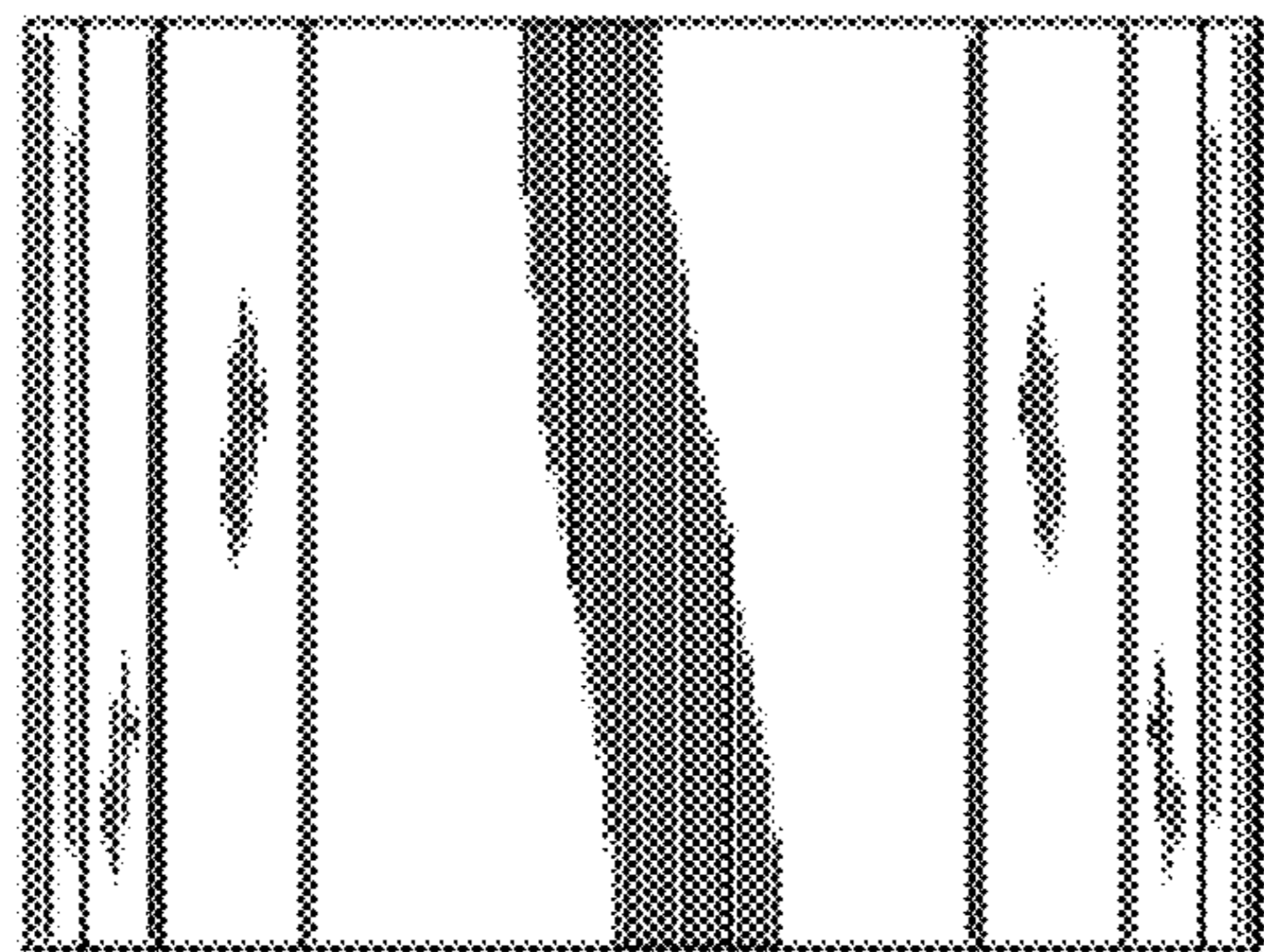


FIG. 3

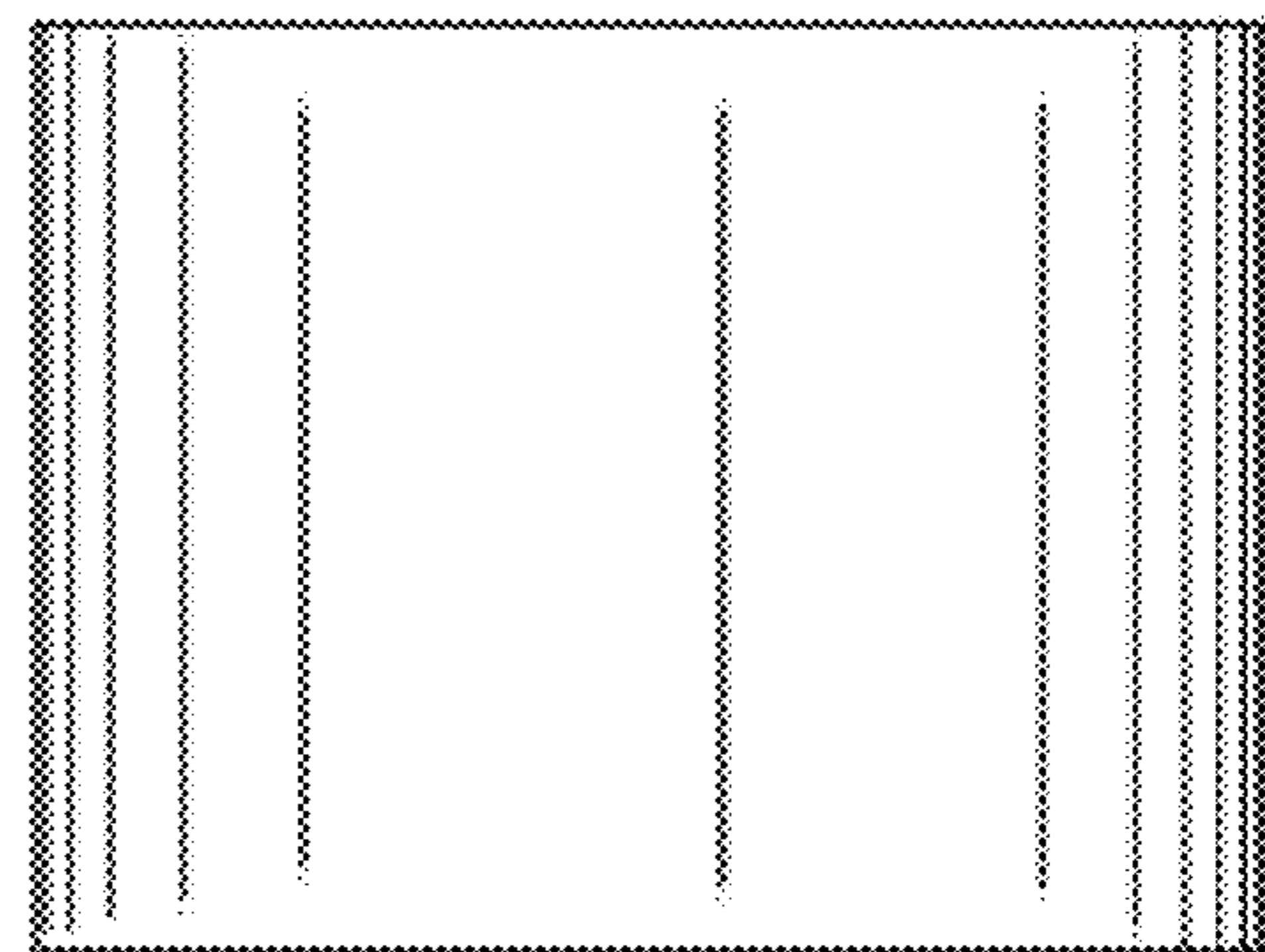


FIG. 4