



US00D665097S

(12) **United States Design Patent**  
**Kurokawa**

(10) **Patent No.:** **US D665,097 S**

(45) **Date of Patent:** **\*\* Aug. 7, 2012**

(54) **INSPECTION DEVICE FOR MEDICAL  
TABLET**

(75) Inventor: **Koya Kurokawa**, Ehime (JP)

(73) Assignee: **Panasonic Corporation**, Osaka (JP)

(\*\*) Term: **14 Years**

(21) Appl. No.: **29/391,832**

(22) Filed: **May 13, 2011**

(30) **Foreign Application Priority Data**

Nov. 24, 2010 (JP) ..... 2010-028009

(51) **LOC (9) Cl.** ..... **24-02**

(52) **U.S. Cl.** ..... **D24/232; D15/145**

(58) **Field of Classification Search** ..... D24/231-232,  
D24/216, 176, 102, 103, 234; D15/145,  
D15/17; D10/81, 97; 53/154, 237-238,  
53/493, 55; 221/130, 133, 255-258, 8-10,  
221/266; D18/50, 18; D13/160, 169

See application file for complete search history.

(56) **References Cited**

**U.S. PATENT DOCUMENTS**

D251,798 S *	5/1979	Hauser	.....	D10/81
D300,326 S	3/1989	Chilcoate		
5,105,978 A *	4/1992	Trouteaud et al.	.....	221/93
D337,539 S	7/1993	Leamon		
D343,622 S *	1/1994	Hanke	.....	D14/217
D348,101 S	6/1994	Poli et al.		
D352,911 S	11/1994	Yamamoto et al.		
D361,339 S	8/1995	Emery		
5,502,944 A *	4/1996	Kraft et al.	.....	53/55
D377,183 S	1/1997	Emery		
D442,146 S *	5/2001	Greenberg et al.	.....	D13/160
D447,073 S *	8/2001	Okamoto et al.	.....	D10/97
D475,794 S	6/2003	Ishigaki et al.		
6,792,736 B1 *	9/2004	Takahashi et al.	.....	53/237
D517,438 S	3/2006	Sato et al.		

D545,854 S	7/2007	Sato et al.		
D551,630 S *	9/2007	Larson et al.	.....	D13/162
D562,369 S	2/2008	Okamoto et al.		
7,331,151 B2 *	2/2008	Kim	.....	53/55
D613,319 S	4/2010	Okamoto et al.		
D620,964 S	8/2010	Yuyama et al.		
7,787,986 B2 *	8/2010	Pinney et al.	.....	221/9
D626,161 S	10/2010	Torre		
D626,981 S	11/2010	Okamoto et al.		
D646,397 S *	10/2011	Oonuma et al.	.....	D24/216
2010/0024363 A1 *	2/2010	Pape	.....	53/55

**FOREIGN PATENT DOCUMENTS**

JP	1164774	2/2003
JP	1176215	6/2003
JP	1286516	11/2006

\* cited by examiner

*Primary Examiner* — Wan Laymon

(74) *Attorney, Agent, or Firm* — Panasonic Patent Center;  
Dhiren Odedra; Kerry Culpepper

(57) **CLAIM**

I claim the ornamental design for an inspection device for medical tablet, as shown and described.

**DESCRIPTION**

FIG. 1 is a front perspective view of an inspection device for medical tablet of the present invention;  
FIG. 2 is a front view thereof;  
FIG. 3 is a rear view thereof;  
FIG. 4 is a first side view thereof;  
FIG. 5 is a second side view thereof;  
FIG. 6 is a top view thereof; and,  
FIG. 7 is a bottom view thereof.

The dash-dot lines immediately adjacent the shaded areas represent the bounds of the claimed design while other broken lines are included for the purpose of illustrating the unclaimed portions of the inspection device for medical tablet. None of the broken lines form part of the claimed design.

**1 Claim, 7 Drawing Sheets**

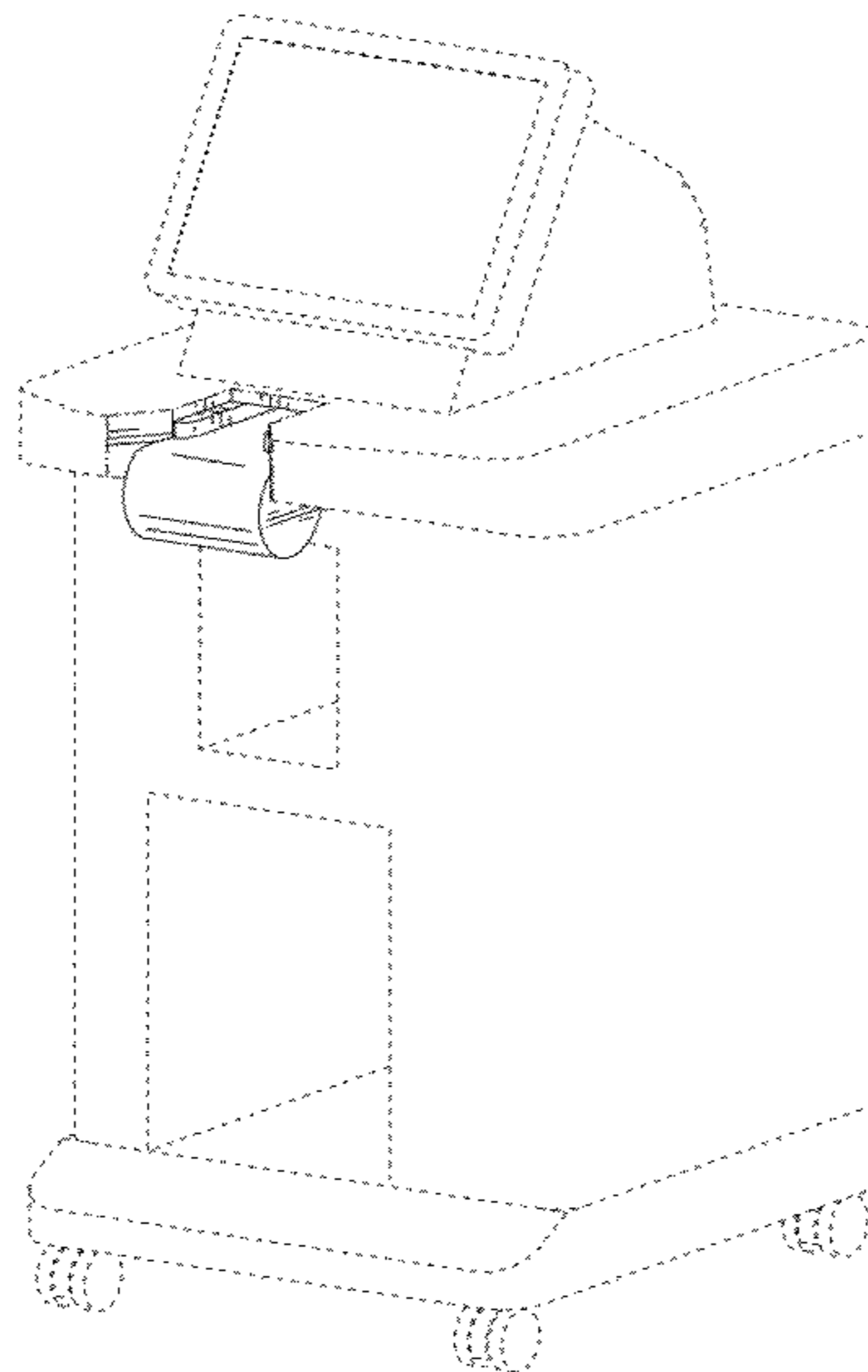


FIG. 1

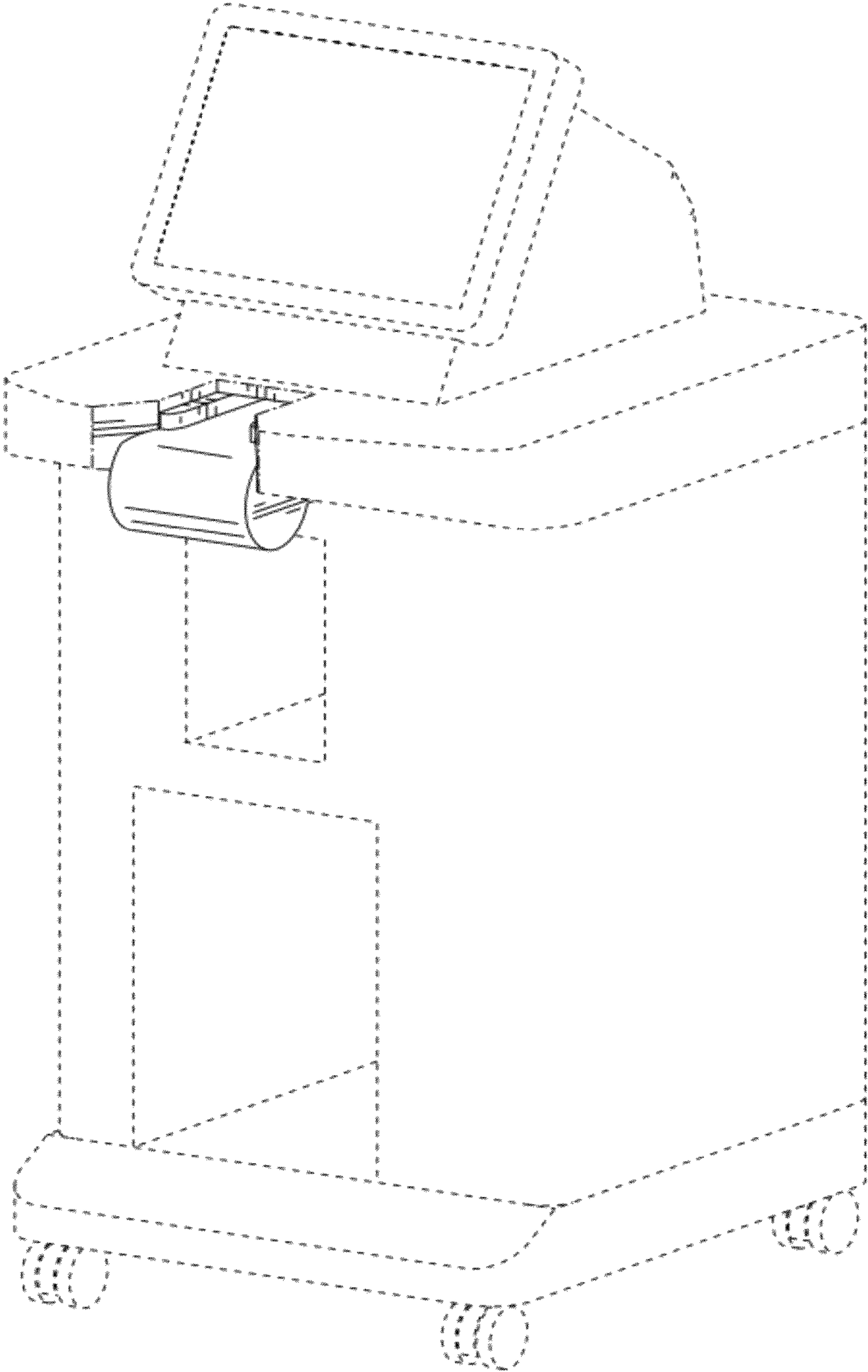


FIG. 2

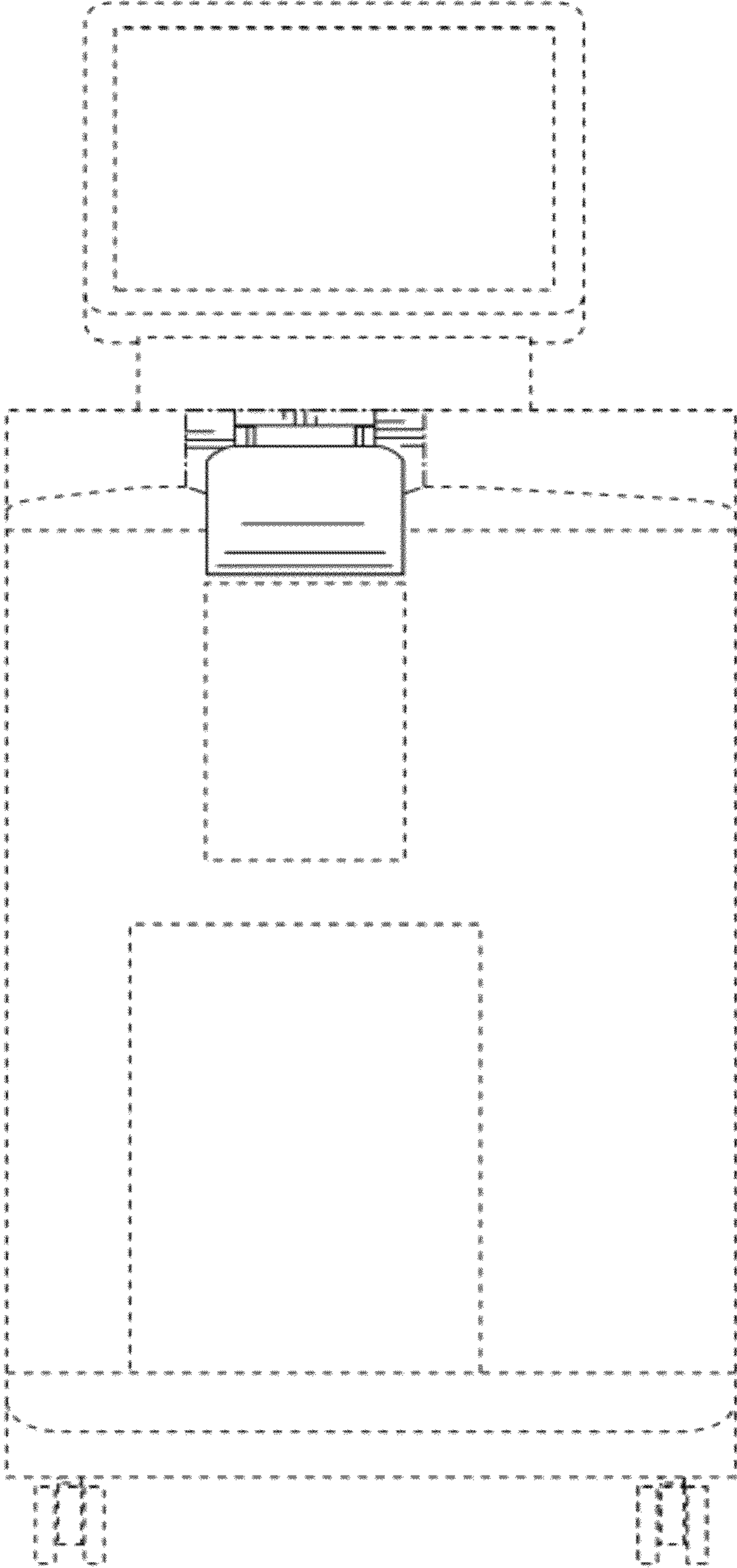


FIG. 3



FIG. 4

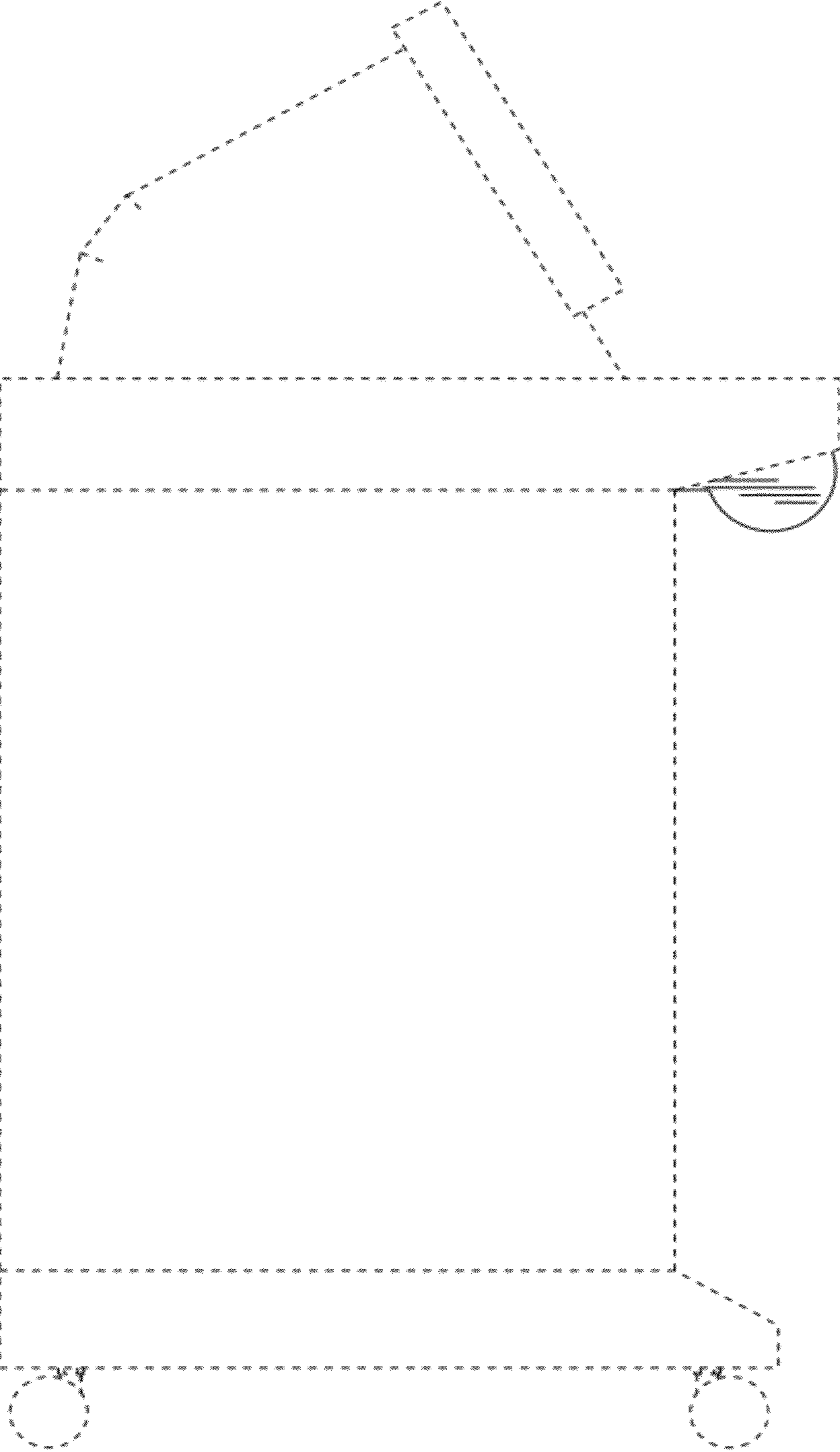


FIG. 5

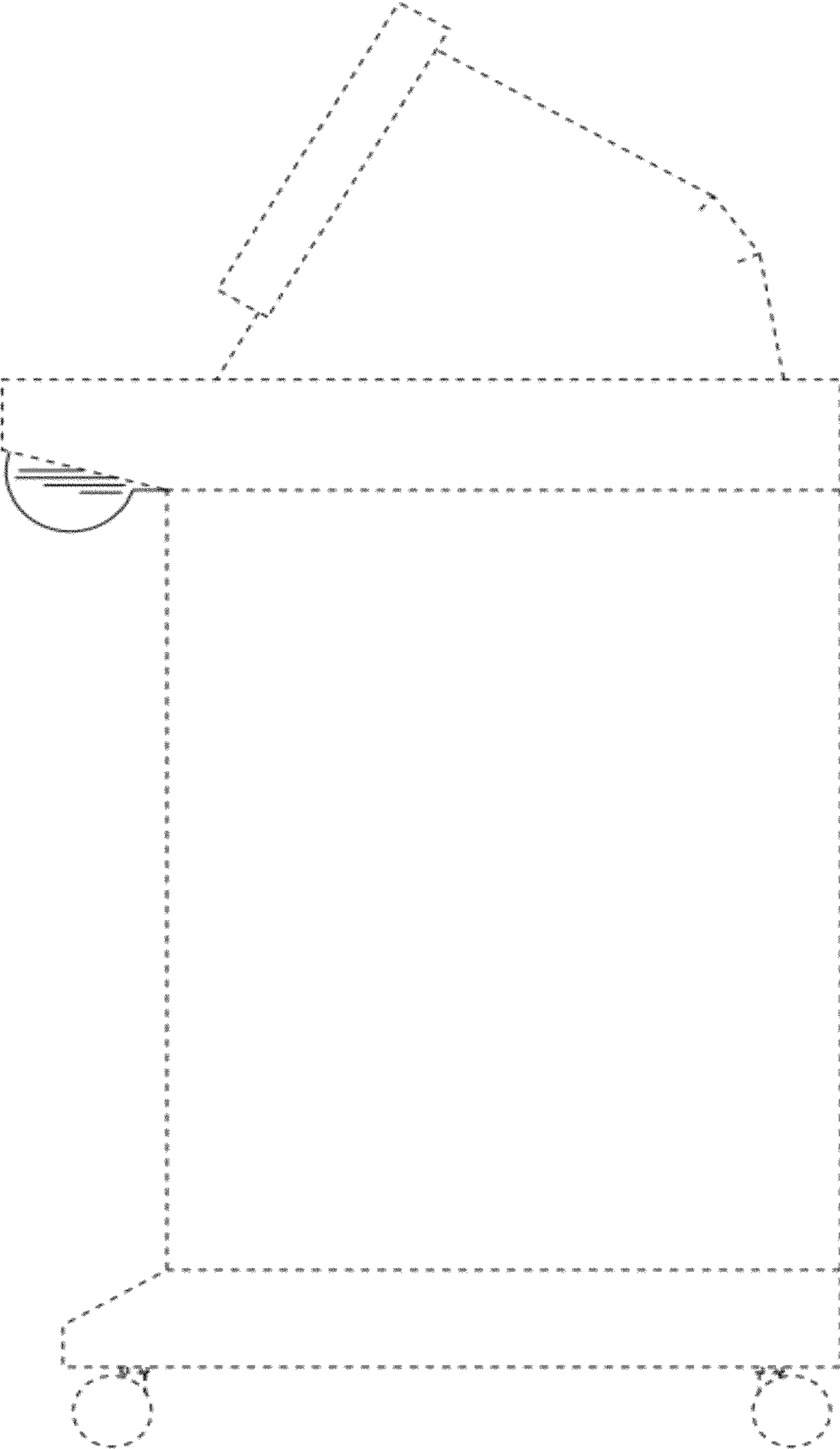


FIG. 6

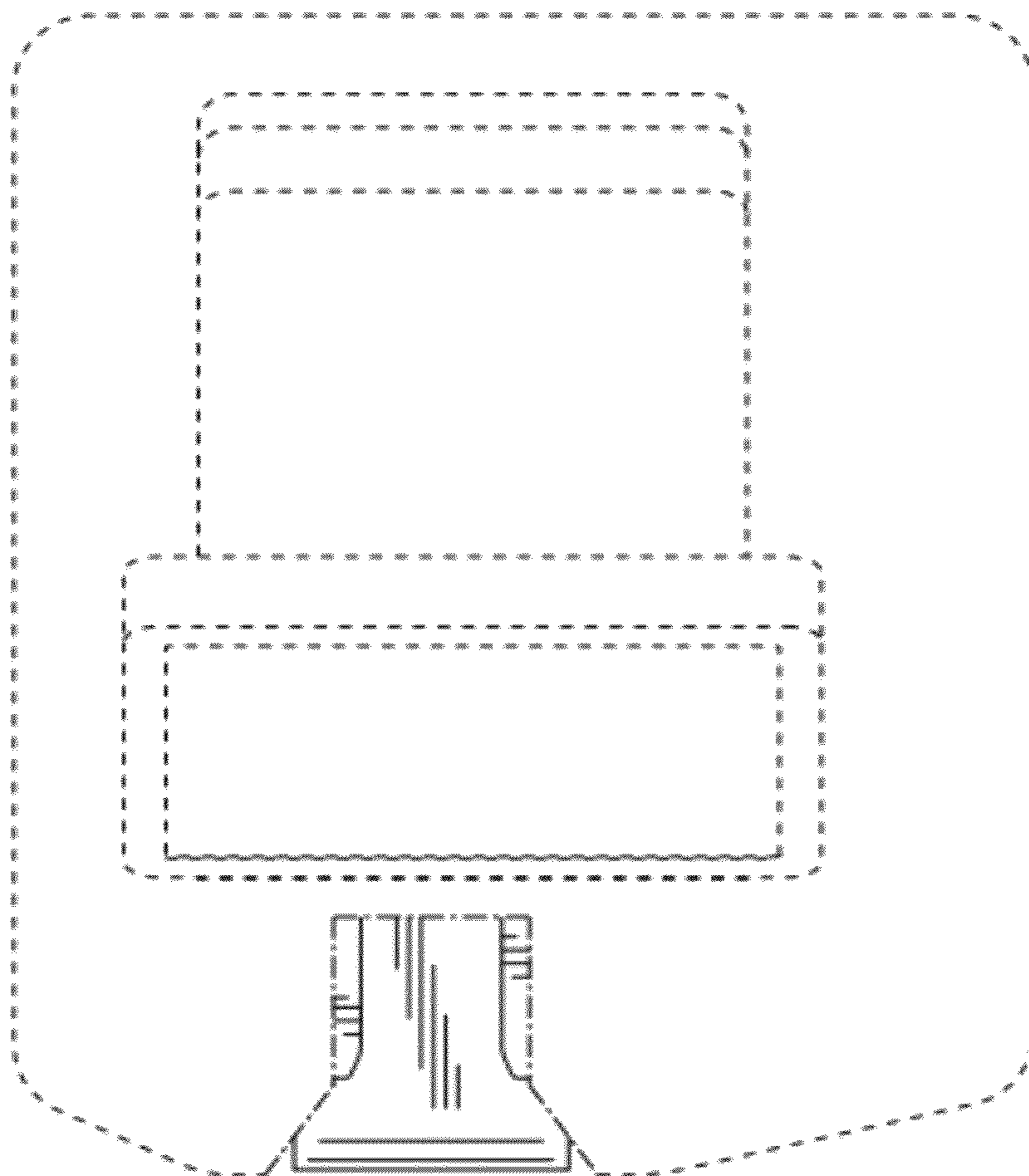


FIG. 7

