



US00D665096S

(12) **United States Design Patent**  
**Marsche et al.**

(10) **Patent No.:** **US D665,096 S**

(45) **Date of Patent:** **\*\* Aug. 7, 2012**

(54) **HOLDER**

(75) Inventors: **Bernd Marsche**, Volketswil (CH);  
**Marcel Trüb**, Winterthur (CH)

(73) Assignee: **Mettler-Toledo AG**, Greifensee (CH)

(\*\*) Term: **14 Years**

(21) Appl. No.: **29/399,919**

(22) Filed: **Aug. 19, 2011**

(30) **Foreign Application Priority Data**

Feb. 22, 2011 (EM) ..... 001824665

(51) **LOC (9) Cl.** ..... **24-02**

(52) **U.S. Cl.** ..... **D24/227**

(58) **Field of Classification Search** ..... D24/128,  
D24/169, 199, 216, 222, 224-232; D6/467;  
D9/517; 422/65, 99-104, 400, 509, 548,  
422/561-562, 501; D10/81; 211/74; 356/244,  
356/246; 435/28.7; 436/174, 180; 494/7  
See application file for complete search history.

(56) **References Cited**

**U.S. PATENT DOCUMENTS**

3,674,198	A *	7/1972	Eberle	494/7
4,198,484	A *	4/1980	Reichler et al.	435/34
4,389,374	A *	6/1983	Sutton et al.	422/562
D271,335	S *	11/1983	Simons	D24/227
D276,270	S *	11/1984	Boris	D24/226
D276,271	S *	11/1984	Boris	D24/226
4,982,850	A *	1/1991	Mears	211/74
5,074,662	A *	12/1991	Sullivan	356/244
D332,145	S *	12/1992	Wada et al.	D24/227
D333,522	S *	2/1993	Gianino	D24/229
D333,523	S *	2/1993	Gianino	D24/229

5,217,694	A *	6/1993	Gibler et al.	422/562
D346,659	S *	5/1994	Adams	D24/199
D355,260	S *	2/1995	Tomasso	D24/224
5,417,922	A *	5/1995	Markin et al.	422/65
D404,831	S *	1/1999	Yamazaki et al.	D24/224
D412,578	S *	8/1999	Andersson et al.	D24/169
6,251,686	B1 *	6/2001	Studer et al.	436/180
D501,561	S *	2/2005	Smith	D24/227
D501,679	S *	2/2005	Smith	D24/227

(Continued)

*Primary Examiner* — T. Chase Nelson

*Assistant Examiner* — Mark Cavanna

(74) *Attorney, Agent, or Firm* — Standley Law Group LLP

(57) **CLAIM**

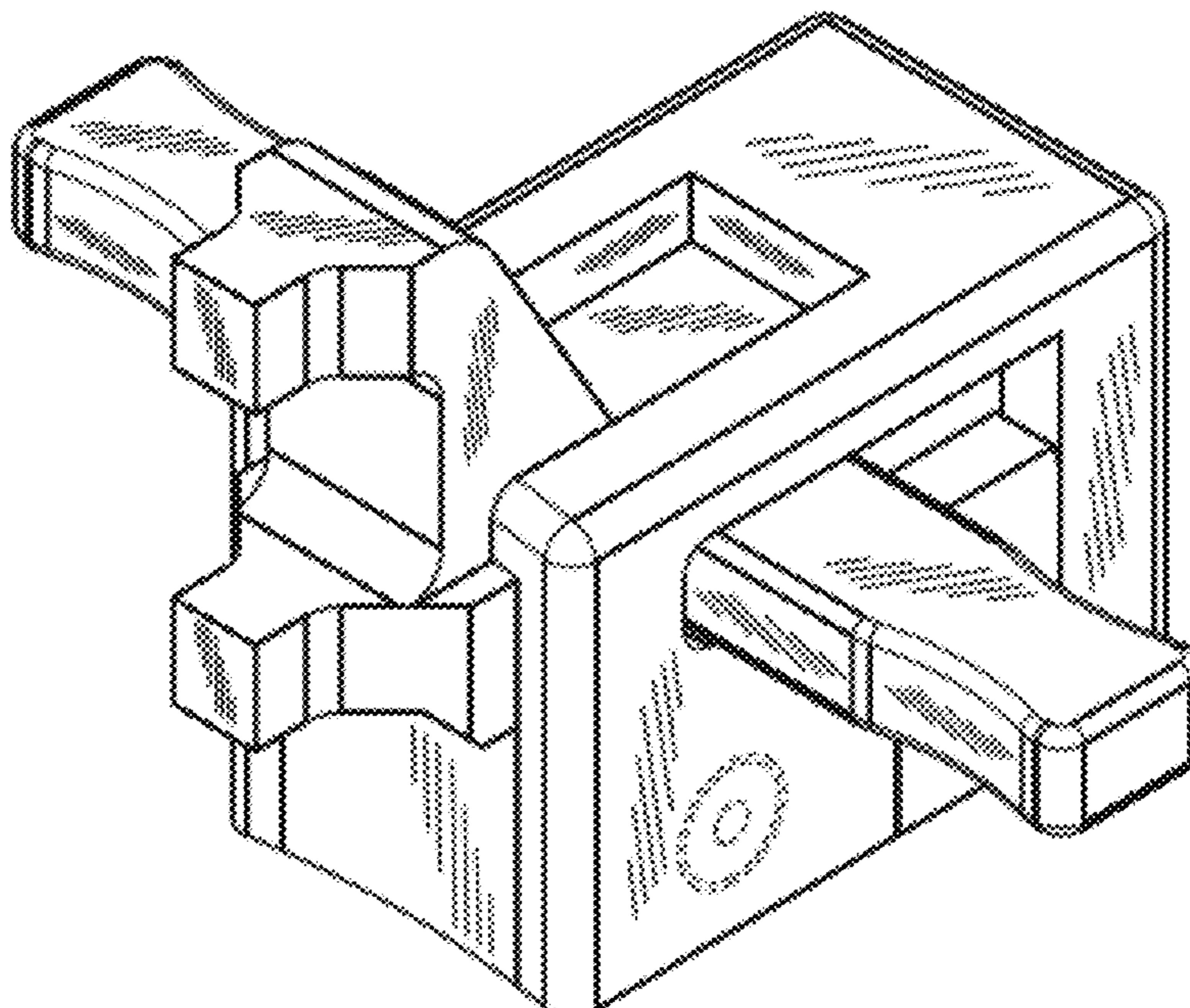
The ornamental design for a holder, as shown and described.

**DESCRIPTION**

This application incorporates by reference U.S. Design application Ser. No. 29/399,917 filed on Aug. 19, 2011. All the material from the U.S. Design application Ser. No. 29/399, 917 filed on Aug. 19, 2011 which is essential to the claimed design is included in this application. It is understood that any material in the U.S. Design application Ser. No. 29/399,917 filed on Aug. 19, 2011 which is not present in this application forms no part of the claimed design.

FIG. 1 is a front perspective view of the holder;  
FIG. 2 is a left side elevation view of the FIG. 1 holder;  
FIG. 3 is a front elevation view of the FIG. 1 holder;  
FIG. 4 is a right side elevation view of the FIG. 1 holder;  
FIG. 5 is a rear elevation view of the FIG. 1 holder;  
FIG. 6 is a top plan view of the FIG. 1 holder; and,  
FIG. 7 is a bottom plan view of the FIG. 1 holder.  
The broken lines are included for the purpose of illustrating portions of the holder that form no part of the claimed design.

**1 Claim, 7 Drawing Sheets**



# US D665,096 S

Page 2

---

## U.S. PATENT DOCUMENTS

D501,680	S *	2/2005	Smith	.....	D24/230	D637,731	S *	5/2011	Sattler et al.	.....	D24/224
D544,609	S *	6/2007	Bluon	.....	D24/222	2003/0086827	A1 *	5/2003	Haslam et al.	.....	422/100
D547,863	S *	7/2007	Heinsch	.....	D24/128	2004/0166590	A1 *	8/2004	Green et al.	.....	436/180
D617,002	S *	6/2010	Lundkvist	.....	D24/227	2008/0009073	A1 *	1/2008	Green et al.	.....	436/174
7,820,115	B2 *	10/2010	Zatechka et al.	.....	422/400	2011/0064629	A1 *	3/2011	Stamas et al.	.....	422/548
D632,402	S *	2/2011	Sattler et al.	.....	D24/224						

\* cited by examiner

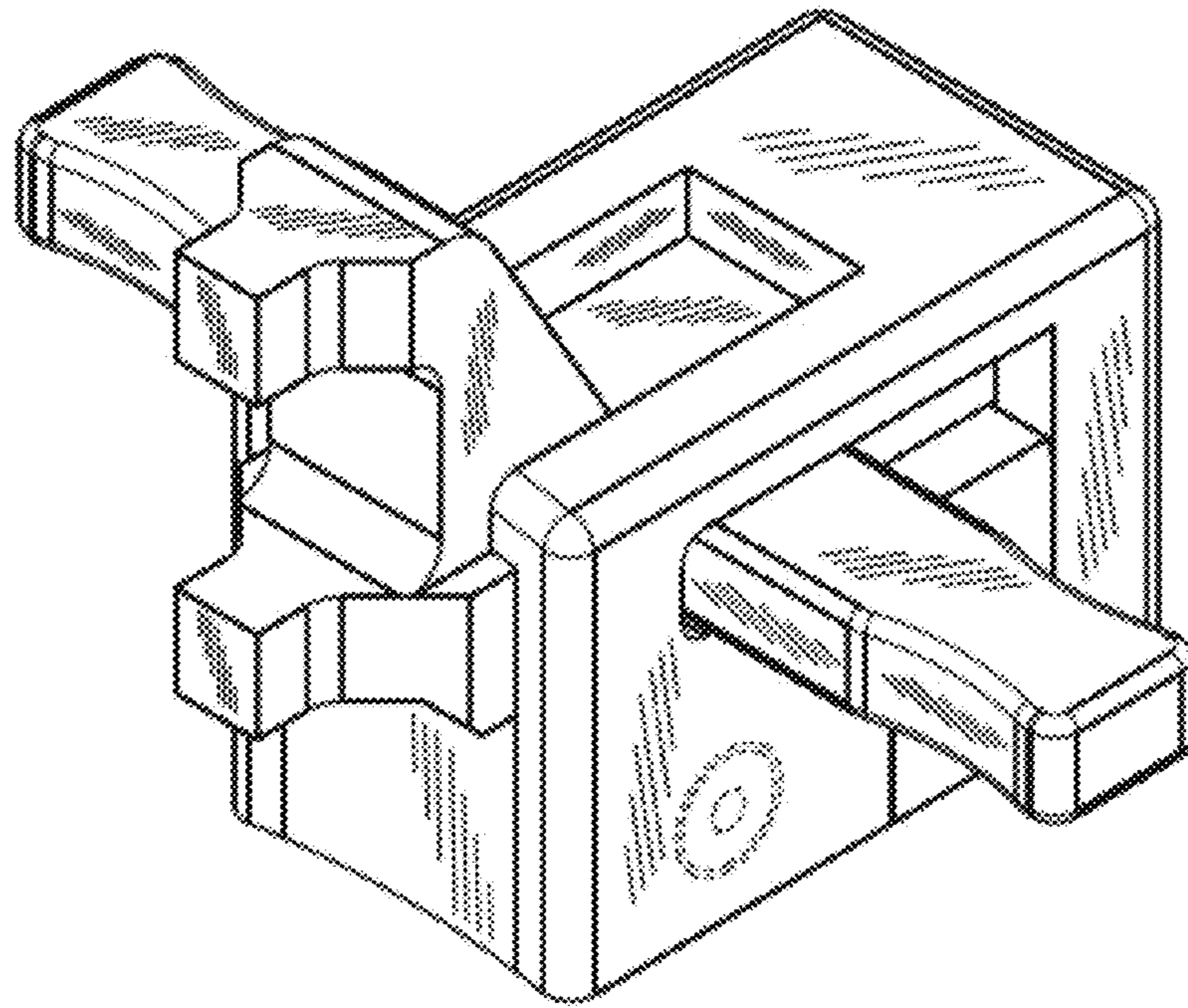
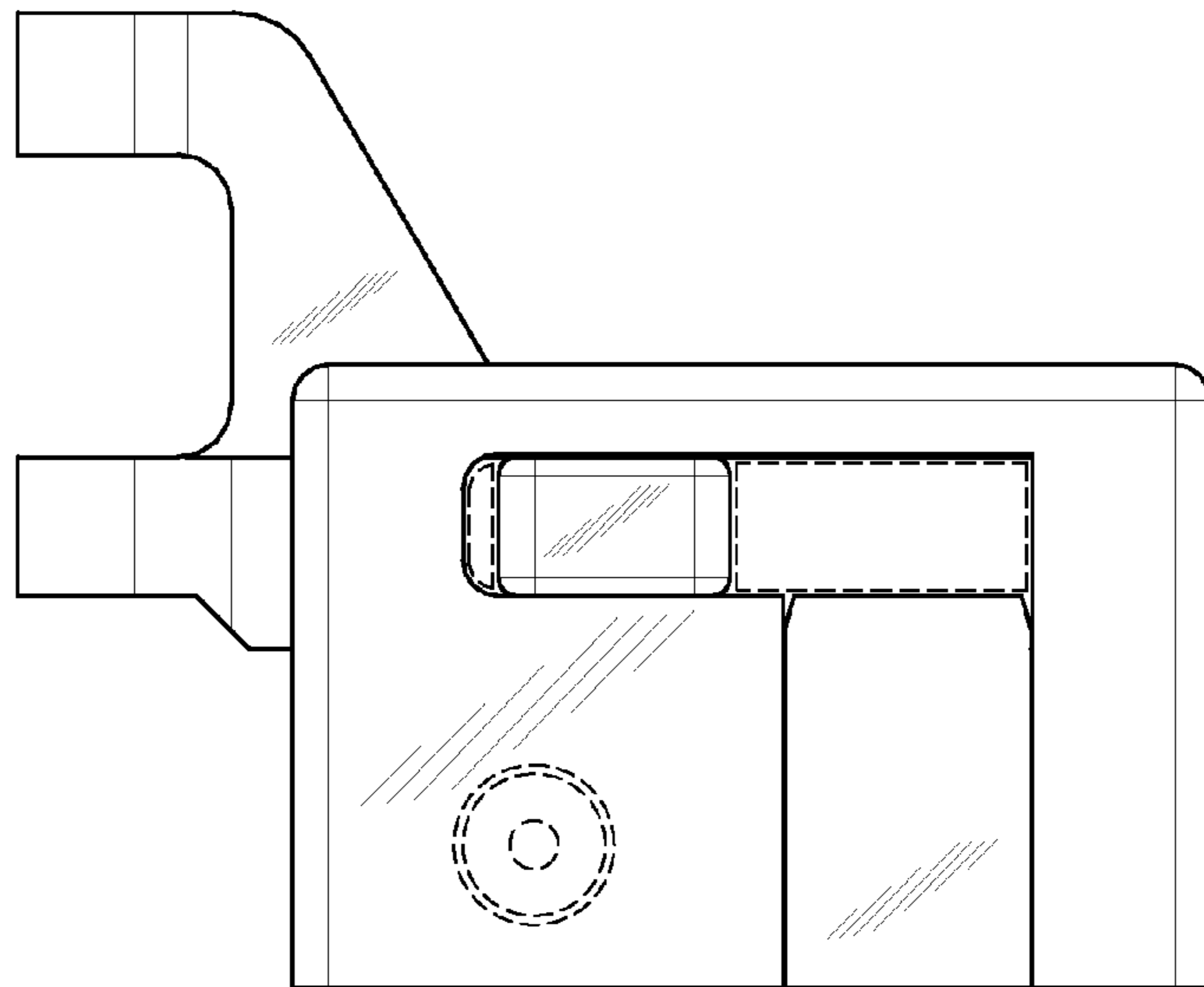


FIGURE 1



**FIGURE 2**



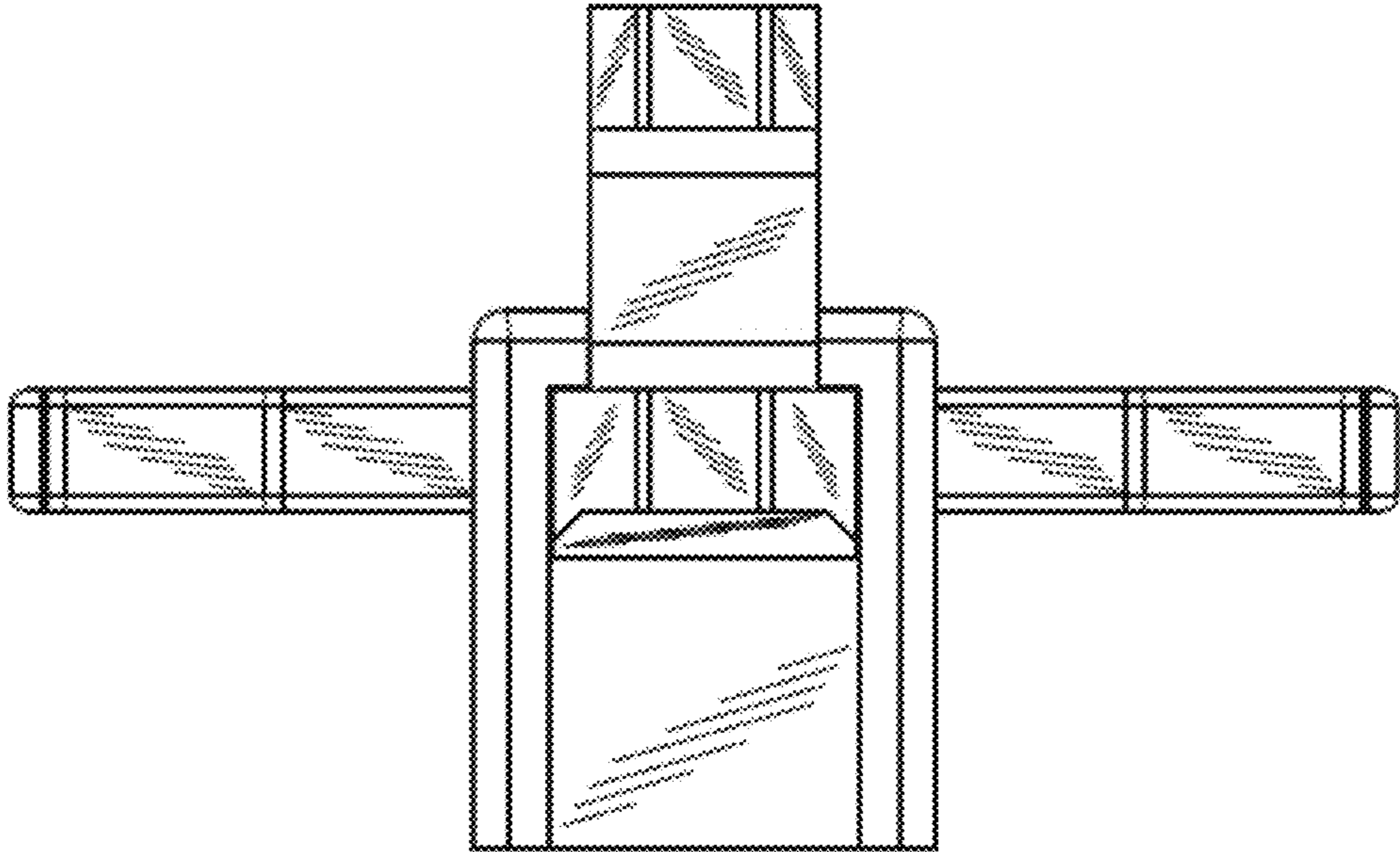
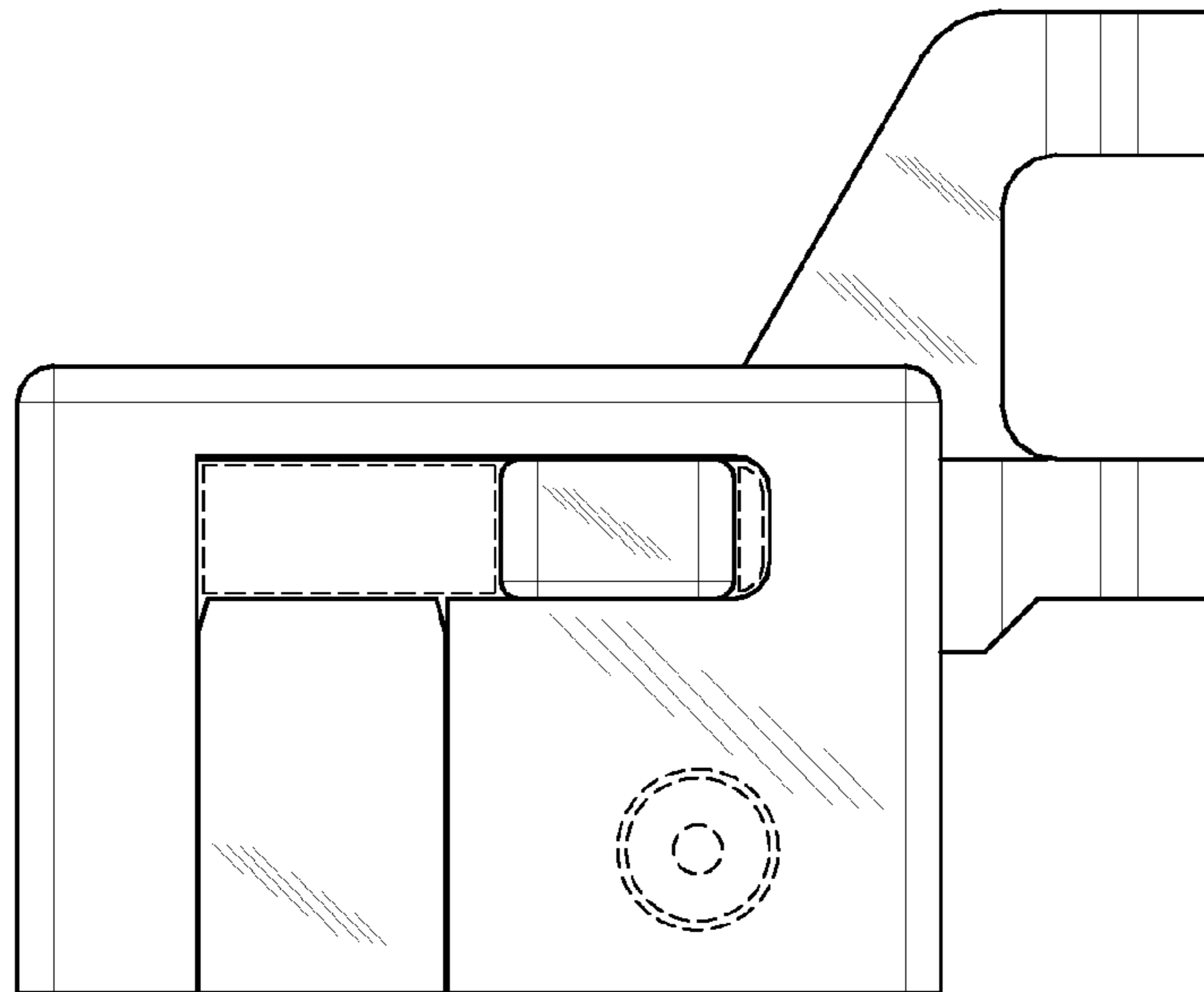
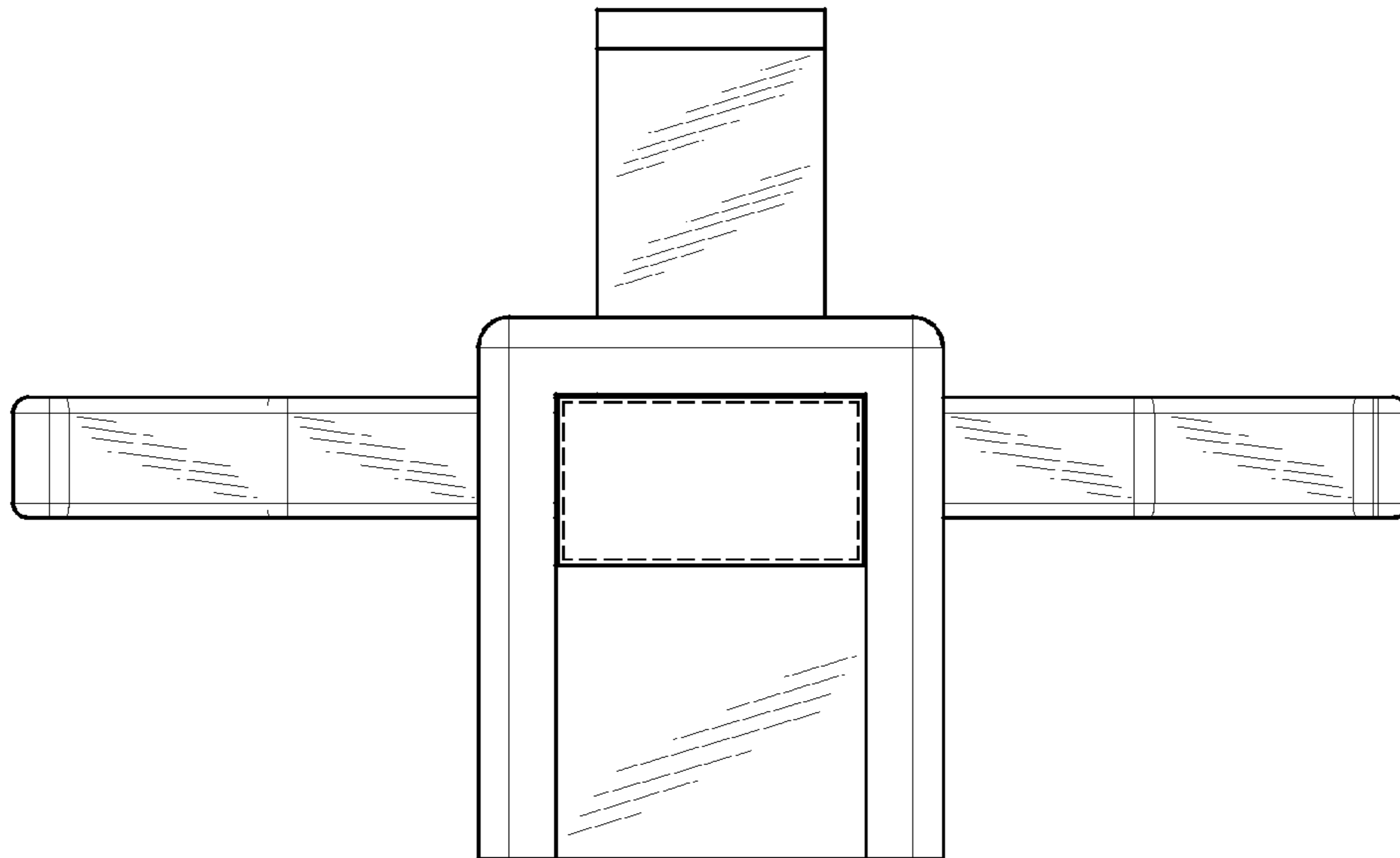


FIGURE 3



**FIGURE 4**



**FIGURE 5**

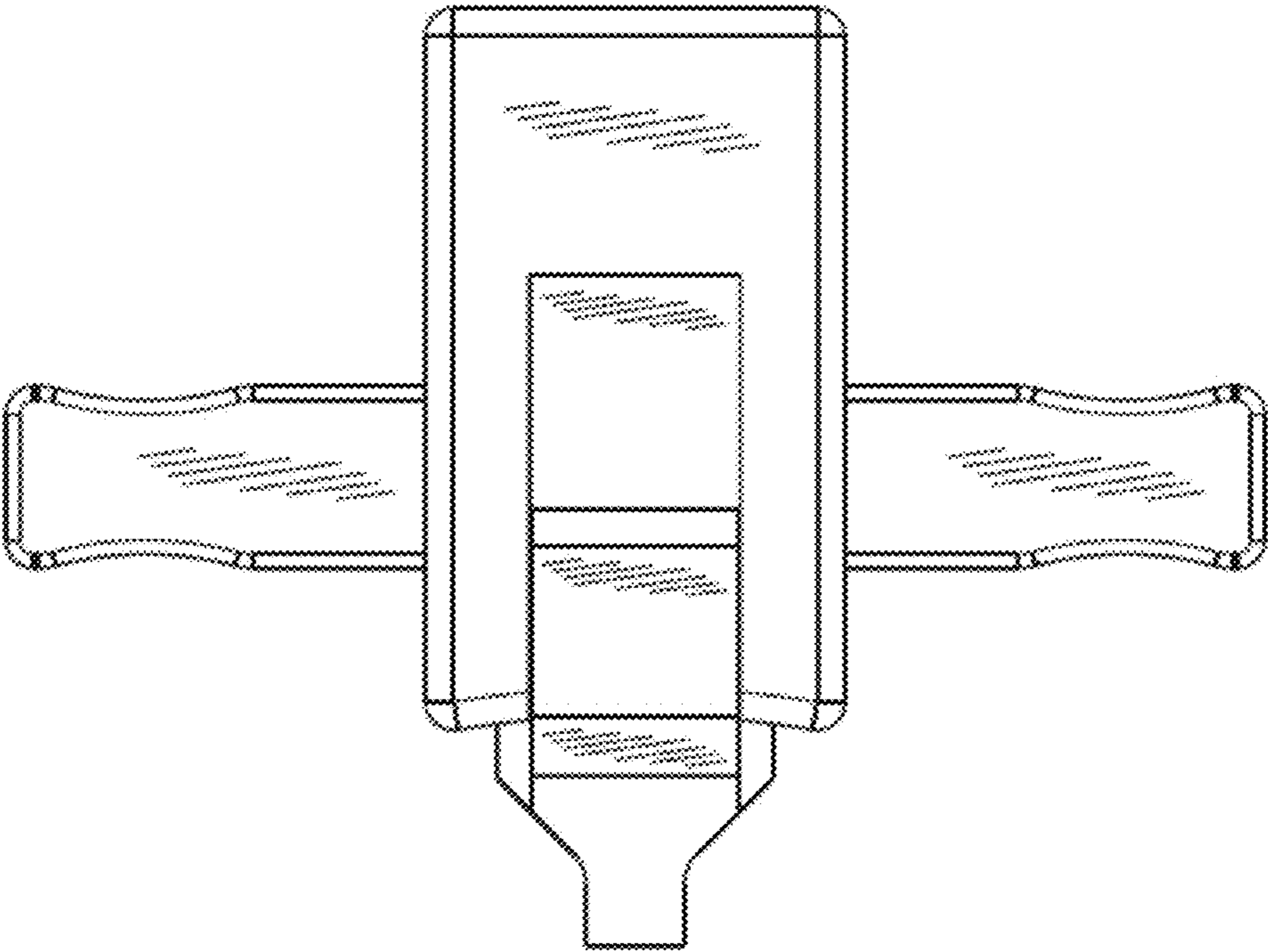


FIGURE 6



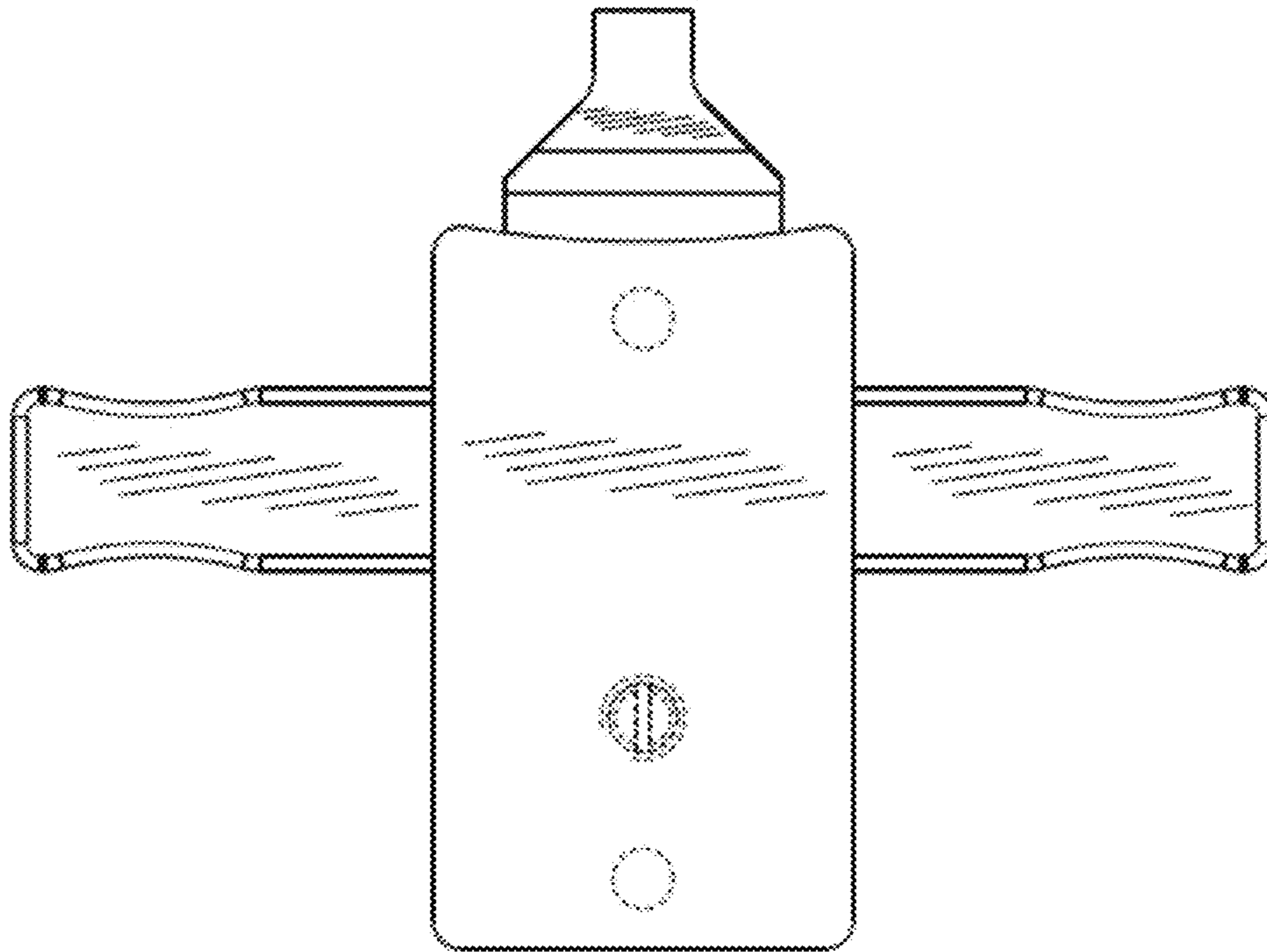


FIGURE 7