



US00D665091S

(12) **United States Design Patent**  
**Mistry et al.**

(10) **Patent No.:** **US D665,091 S**

(45) **Date of Patent:** **\*\* Aug. 7, 2012**

(54) **STIMULATION DEVICE**

(75) Inventors: **Ketan Mistry**, London (GB); **Nicholas Charles Talbot**, London (GB)

(73) Assignee: **LRC Products Limited**, Slough, Berkshire (GB)

(\*\*) Term: **14 Years**

(21) Appl. No.: **29/386,982**

(22) Filed: **Mar. 8, 2011**

(30) **Foreign Application Priority Data**

Sep. 10, 2010 (EM) ..... 001234645-0001

(51) **LOC (9) Cl.** ..... **28-03**

(52) **U.S. Cl.** ..... **D24/215**

(58) **Field of Classification Search** ..... D24/200,  
D24/211-215; 601/27, 28, 33, 40, 46, 47,  
601/48, 63, 80, 99, 104, 112, 113, 114, 119,  
601/122, 125, 129, 134, 135, 137, DIG. 12,  
601/DIG. 13, DIG. 14, DIG. 15, DIG. 16,  
601/DIG. 17

See application file for complete search history.

(56) **References Cited**

U.S. PATENT DOCUMENTS

D509,301 S *	9/2005	Talbot et al. ....	D24/215
D613,417 S *	4/2010	Imboden et al. ....	D24/215
D637,308 S *	5/2011	Imboden et al. ....	D24/215
D643,128 S *	8/2011	Mohamed et al. ....	D24/215
D652,943 S *	1/2012	Chong et al. ....	D24/215

\* cited by examiner

*Primary Examiner* — Sandra Snapp

(74) *Attorney, Agent, or Firm* — Ryan A. Schneider; Troutman Sanders LLP

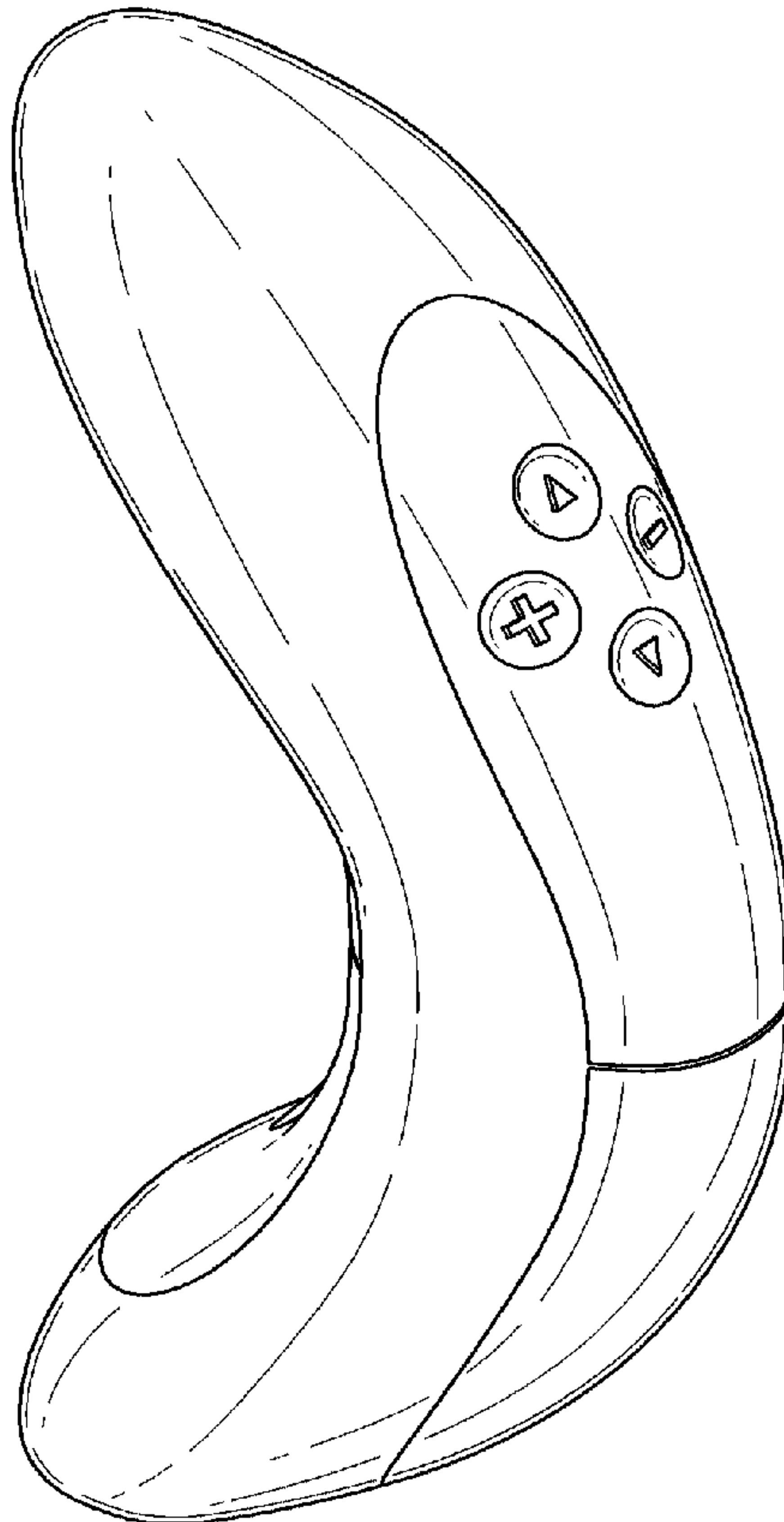
(57) **CLAIM**

The ornamental design for a stimulation device, as shown and described.

**DESCRIPTION**

FIG. 1 is a front perspective view of a stimulation device of the present invention; FIG. 2 is a top view of the stimulation device of FIG. 1; FIG. 3 is a bottom view of the stimulation device of FIG. 1; FIG. 4 is a first side view of the stimulation device of FIG. 1; FIG. 5 is a second side view of the stimulation device of FIG. 1; FIG. 6 is a front view of the stimulation device of FIG. 1; FIG. 7 is a rear view of the stimulation device of FIG. 1; and, FIG. 8 is a bottom perspective view of the stimulation device of FIG. 1.

**1 Claim, 5 Drawing Sheets**



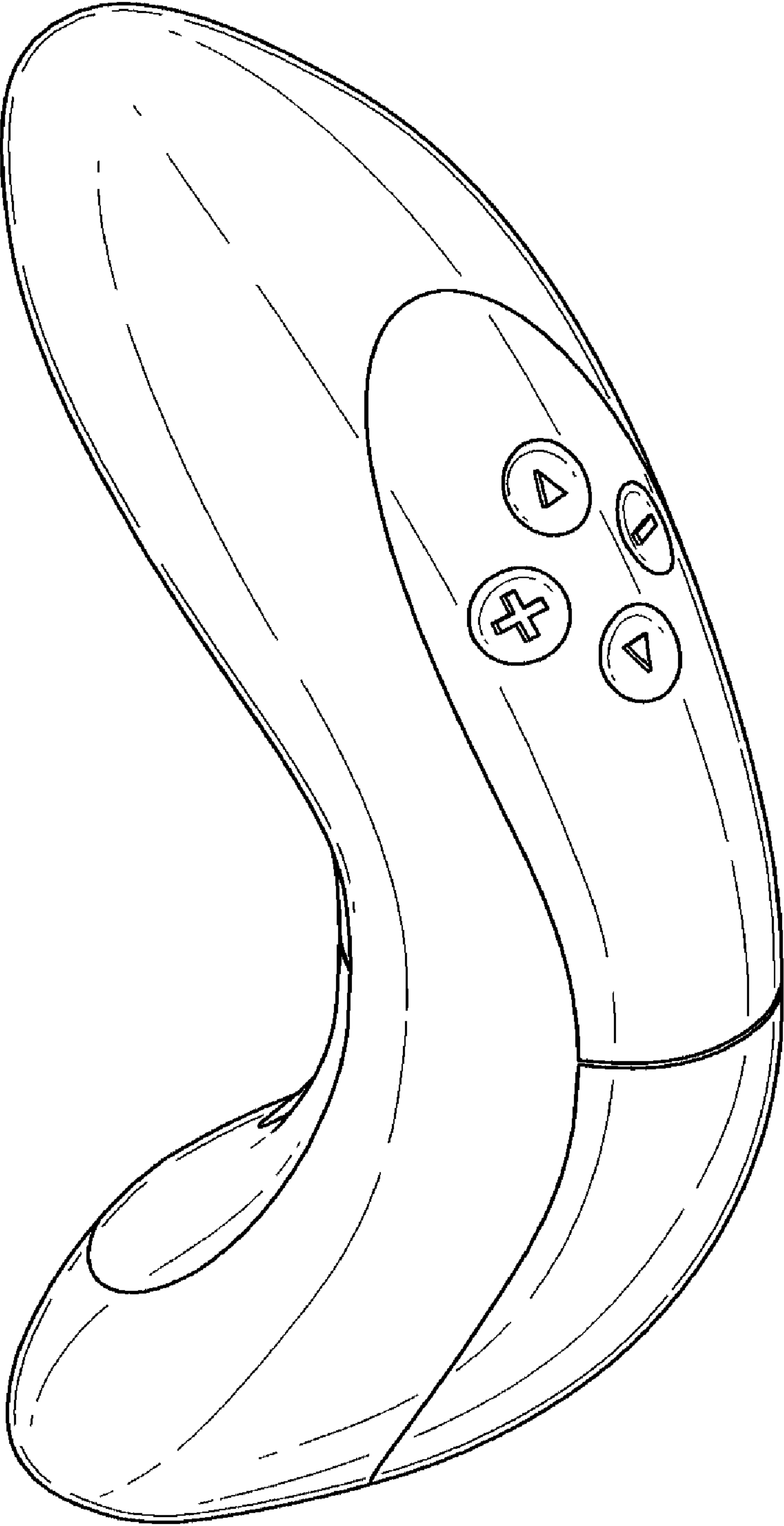


Fig. 1.

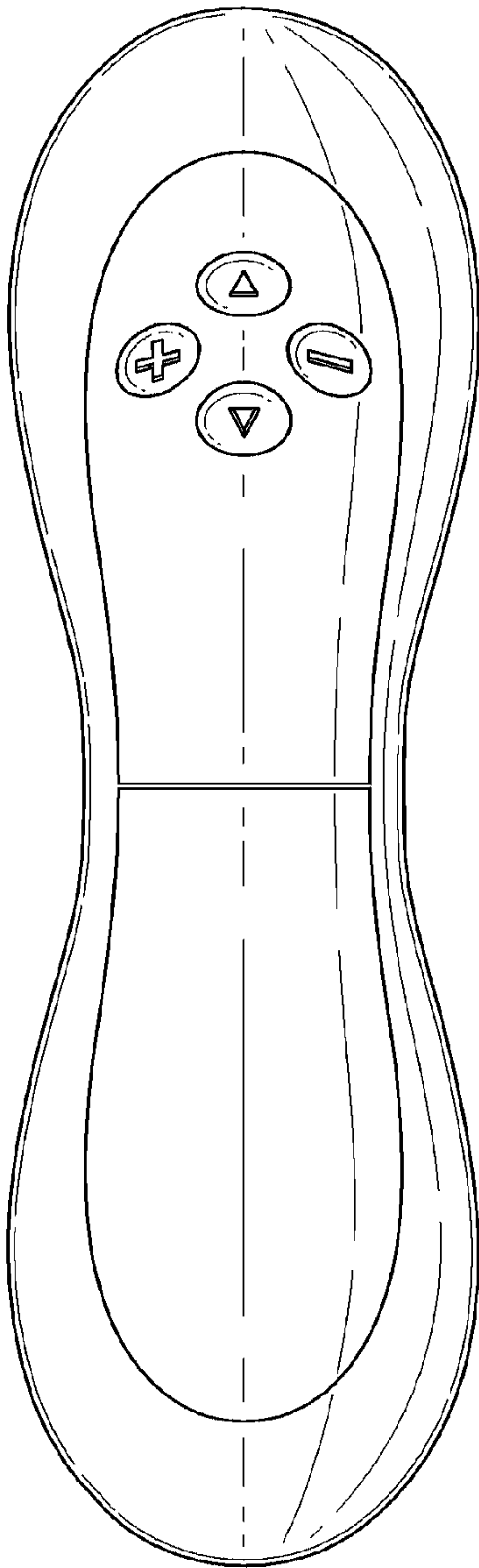


Fig.2.

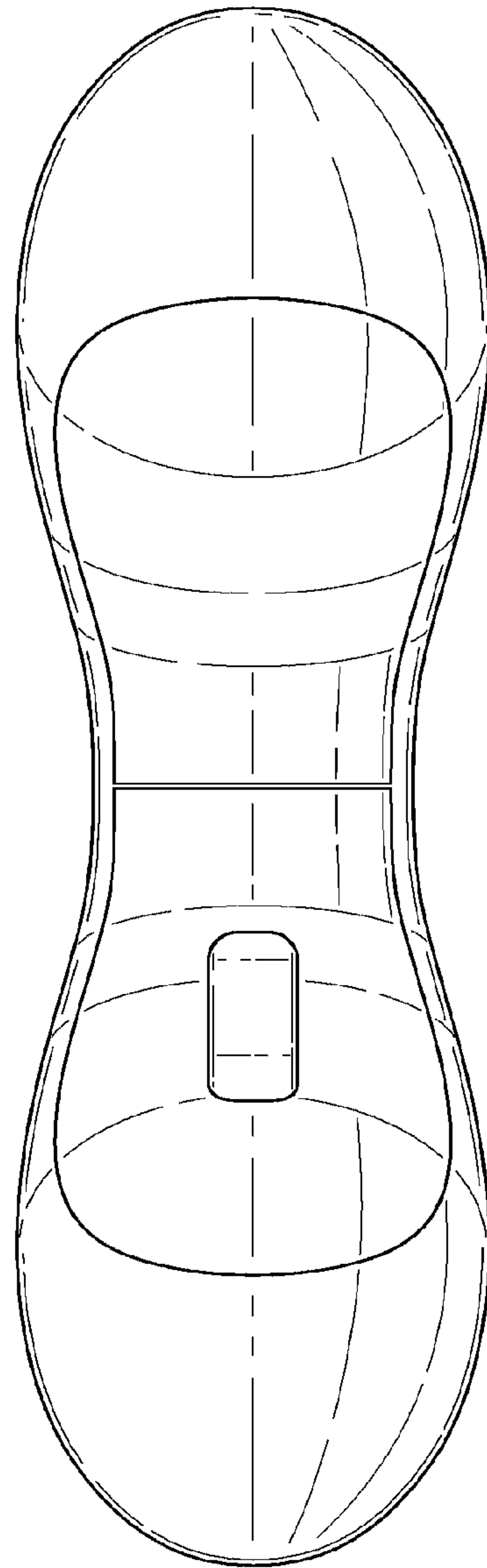


Fig.3.

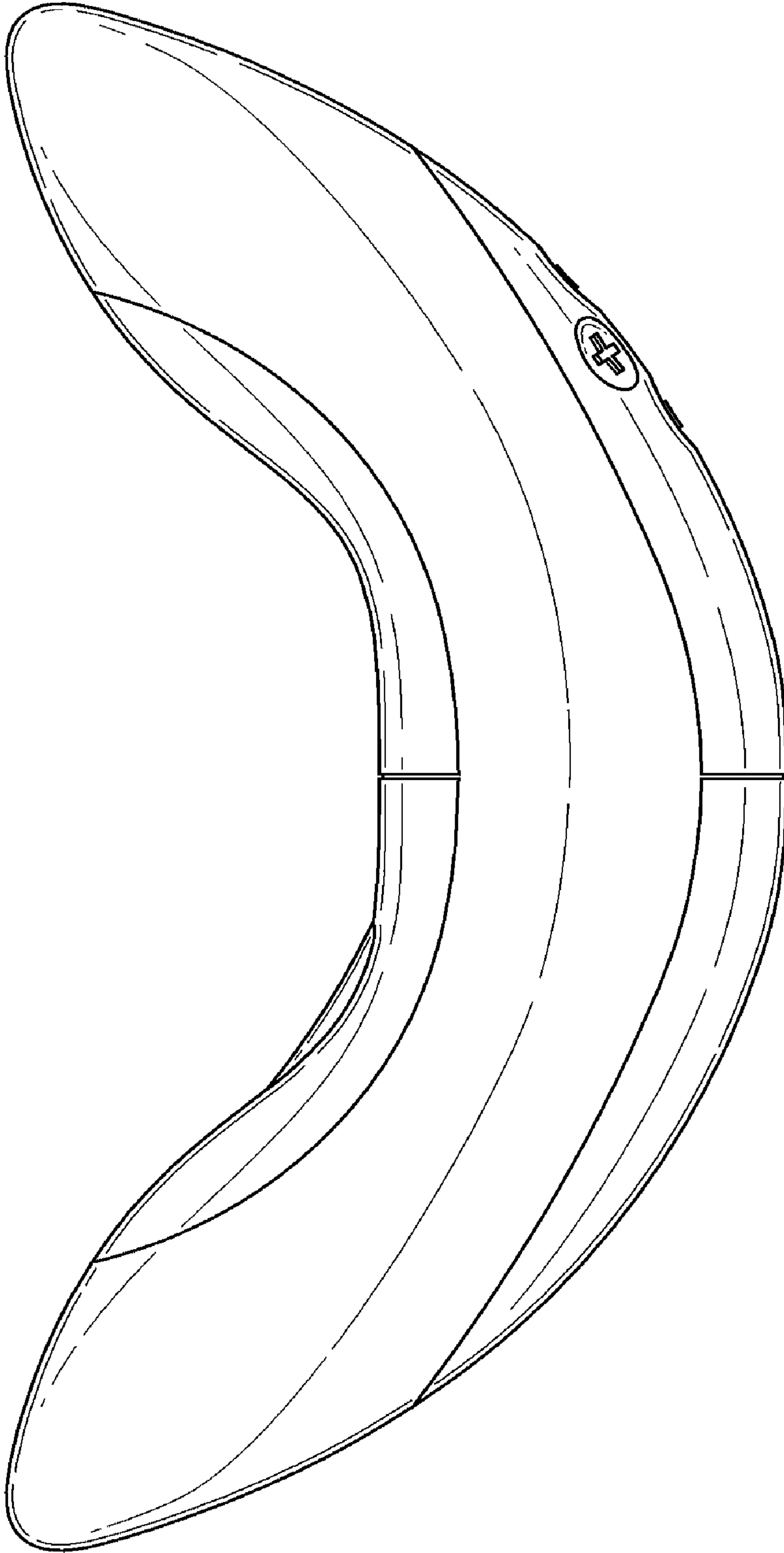


Fig.4.

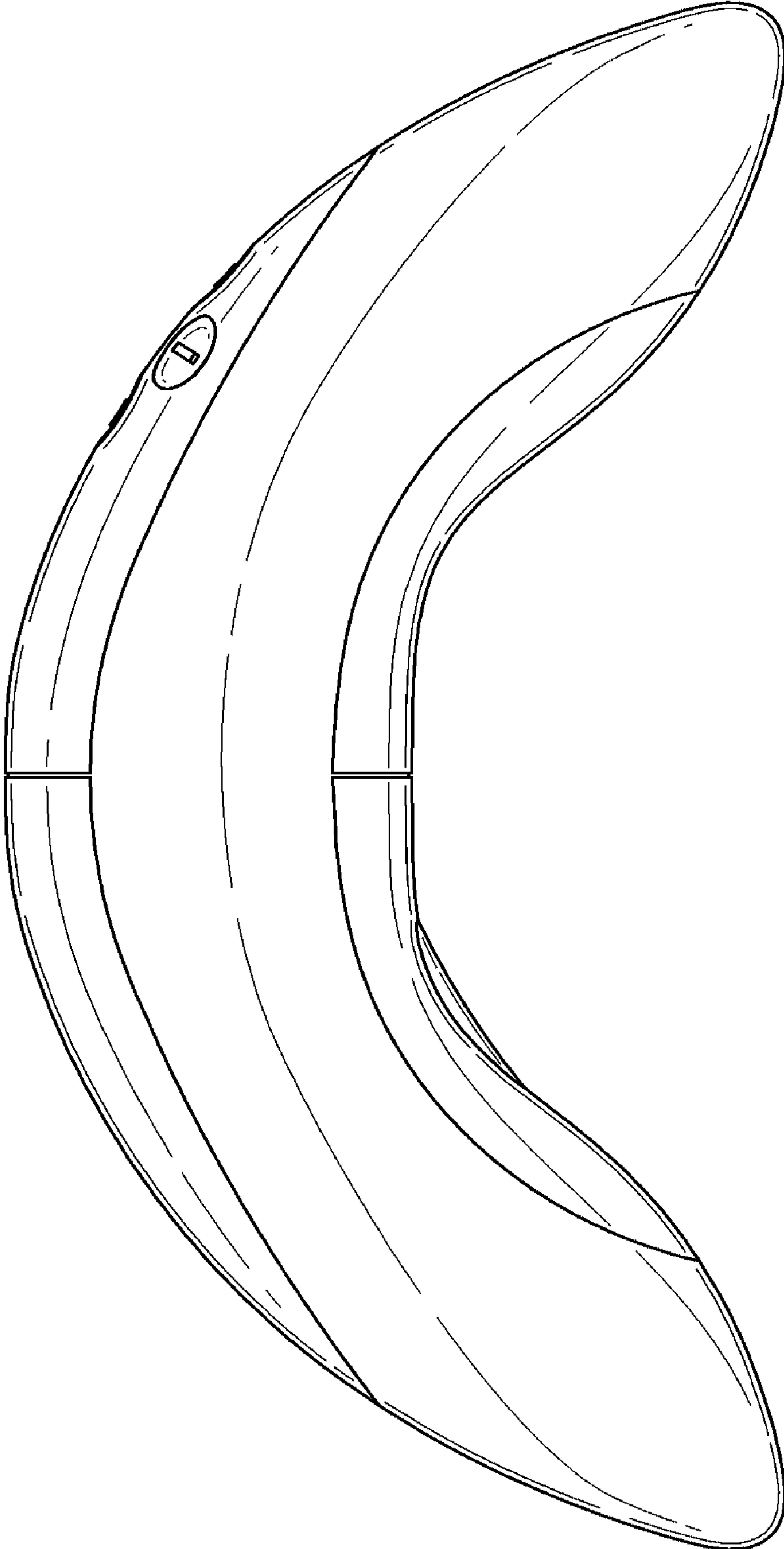


Fig.5.



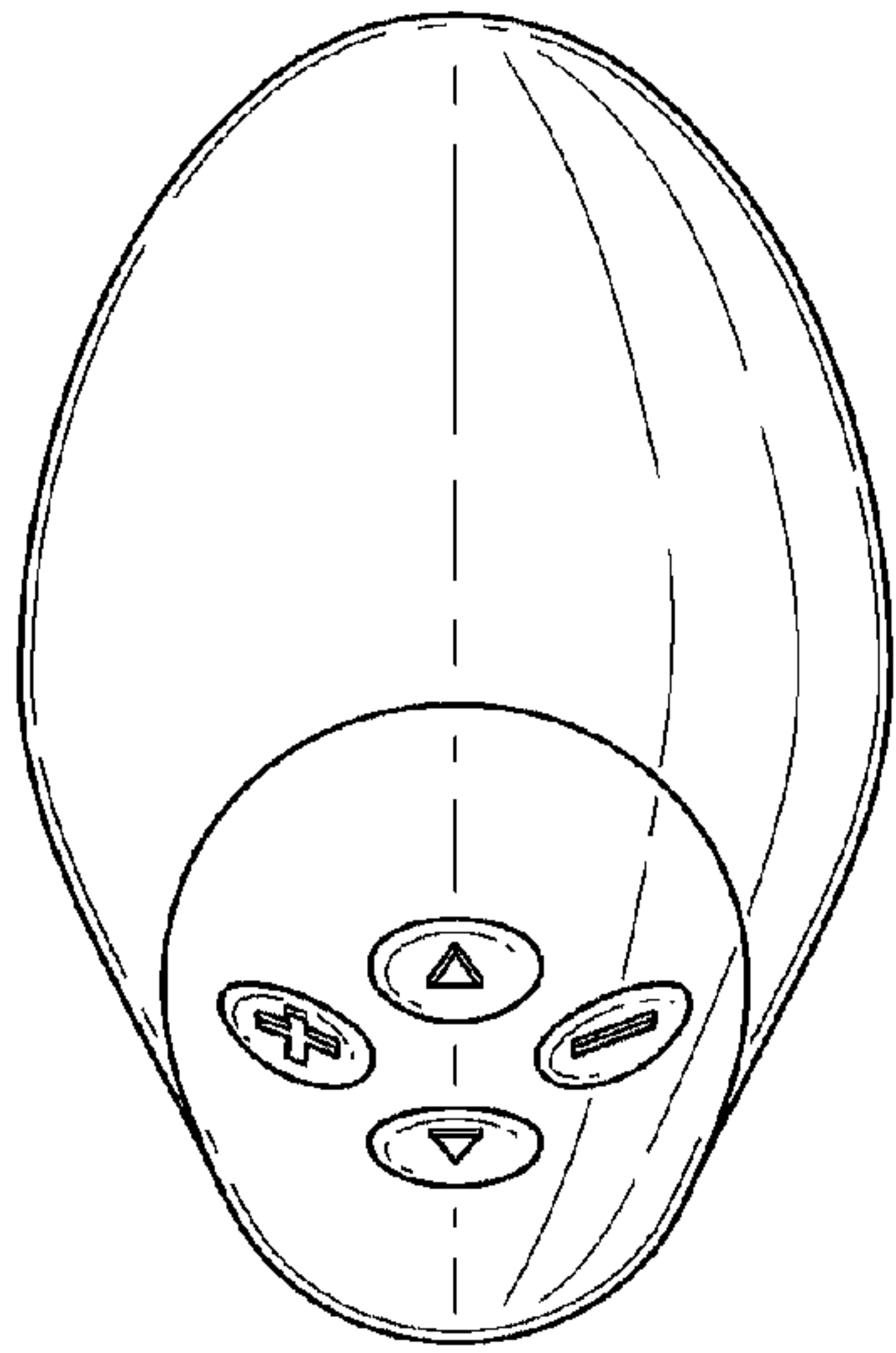


Fig.6.

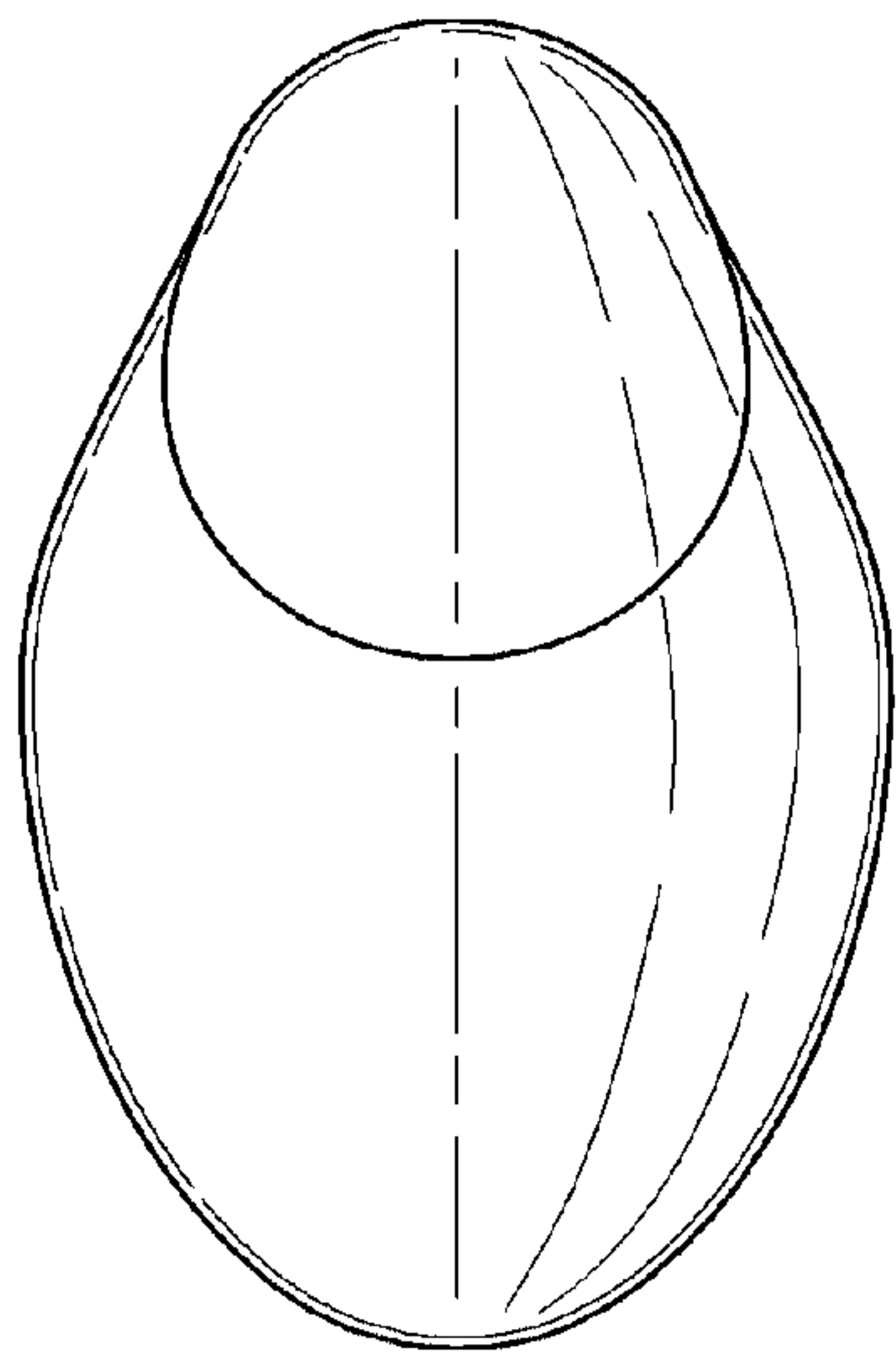


Fig.7.

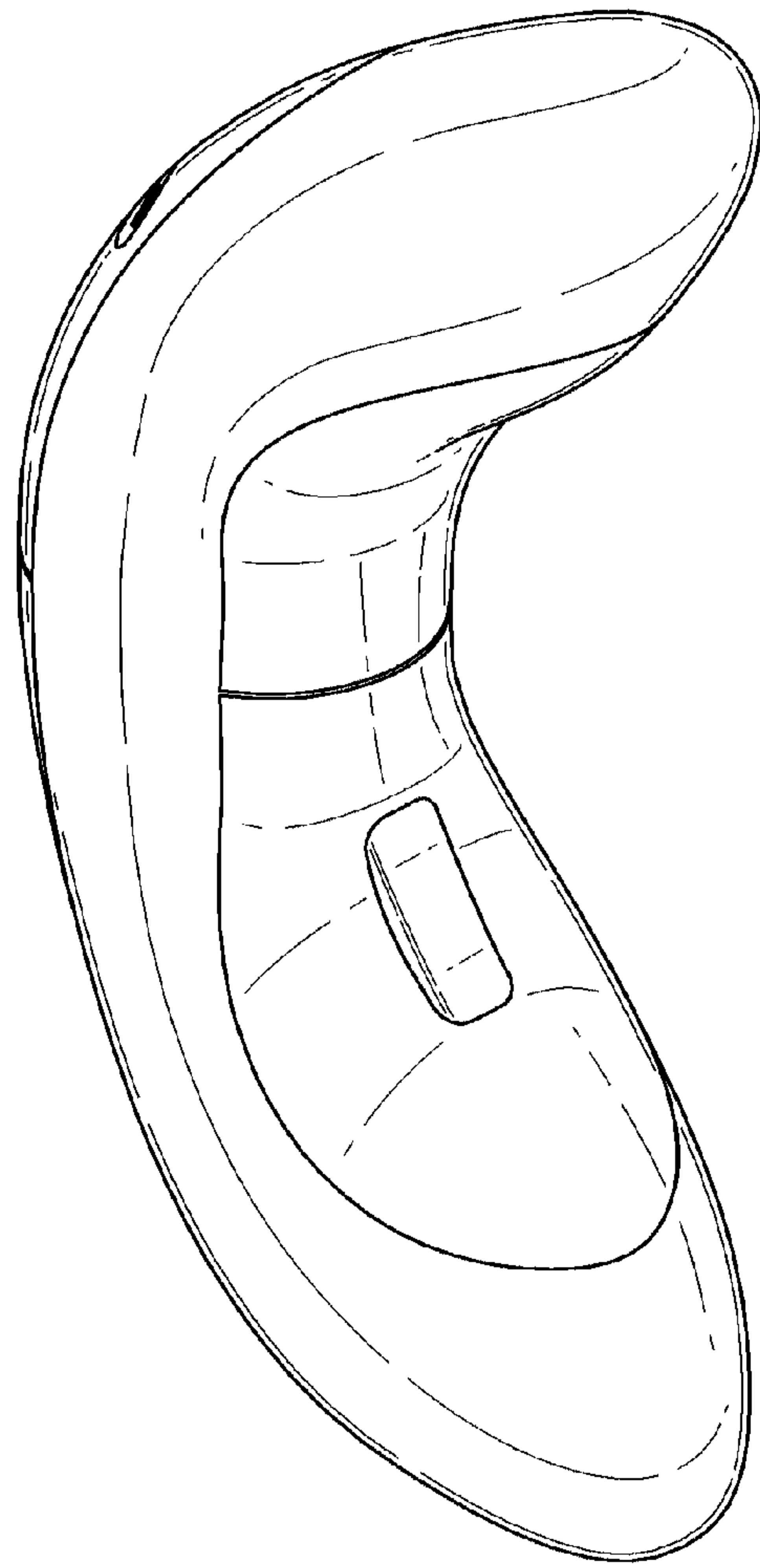


Fig.8.