



US00D665088S

(12) **United States Design Patent**  
**Joseph**

(10) **Patent No.:** **US D665,088 S**

(45) **Date of Patent:** **\*\* Aug. 7, 2012**

(54) **WRIST BRACE**

(75) Inventor: **Mark Joseph**, Aspen, CO (US)

(73) Assignee: **Exos Corporation**, Arden Hills, MN (US)

(\*\*) Term: **14 Years**

(21) Appl. No.: **29/368,158**

(22) Filed: **Aug. 18, 2010**

(51) **LOC (9) Cl.** ..... **24-01**

(52) **U.S. Cl.** ..... **D24/190**

(58) **Field of Classification Search** ..... D24/189-190;  
602/3-7, 13, 16, 20-22, 60, 64-65; D29/120.1,  
D29/121.1, 113; 128/877, 878, 879, 881,  
128/882, 892, DIG. 19; 473/59, 62, 213;  
2/16, 20, 59, 159, 161.1

See application file for complete search history.

(56) **References Cited**

**U.S. PATENT DOCUMENTS**

57,283 A	8/1866	Brown	
482,647 A	9/1892	Obear	
975,734 A	11/1910	Tebeau	
1,082,542 A	12/1913	Manson	
1,360,840 A *	11/1920	White	2/16
1,471,948 A	10/1923	Cox et al.	
1,583,606 A	5/1926	Roussel	
2,070,810 A *	2/1937	Saling	602/21
2,181,689 A	11/1939	Bell	
2,206,404 A *	7/1940	Jones	602/21
2,554,337 A	5/1951	Lampert	
2,736,314 A	2/1956	Hale	
2,759,475 A	8/1956	Swaay	
3,320,950 A	5/1967	McElvenny	
3,420,231 A	1/1969	Edenbaum	
3,490,444 A	1/1970	Larson	
3,692,023 A	9/1972	Phillips et al.	
3,896,843 A	7/1975	Millar et al.	
3,906,943 A	9/1975	Arluck	

4,006,741 A	2/1977	Arluck
4,019,505 A	4/1977	Wartman
4,136,686 A	1/1979	Arluck
4,169,469 A	10/1979	Arluck
4,193,395 A	3/1980	Gruber
4,235,228 A	11/1980	Gaylord
4,240,415 A	12/1980	Wartman

(Continued)

**FOREIGN PATENT DOCUMENTS**

EP 0401883 A1 12/1990

(Continued)

**OTHER PUBLICATIONS**

Application and File History for U.S. Appl. No. 29/368,155, filed Aug. 18, 2010. Inventor: Joseph.

(Continued)

*Primary Examiner* — Susan E Krakower

(74) *Attorney, Agent, or Firm* — Patterson Thunte Christensen Pedersen, P.A.

(57) **CLAIM**

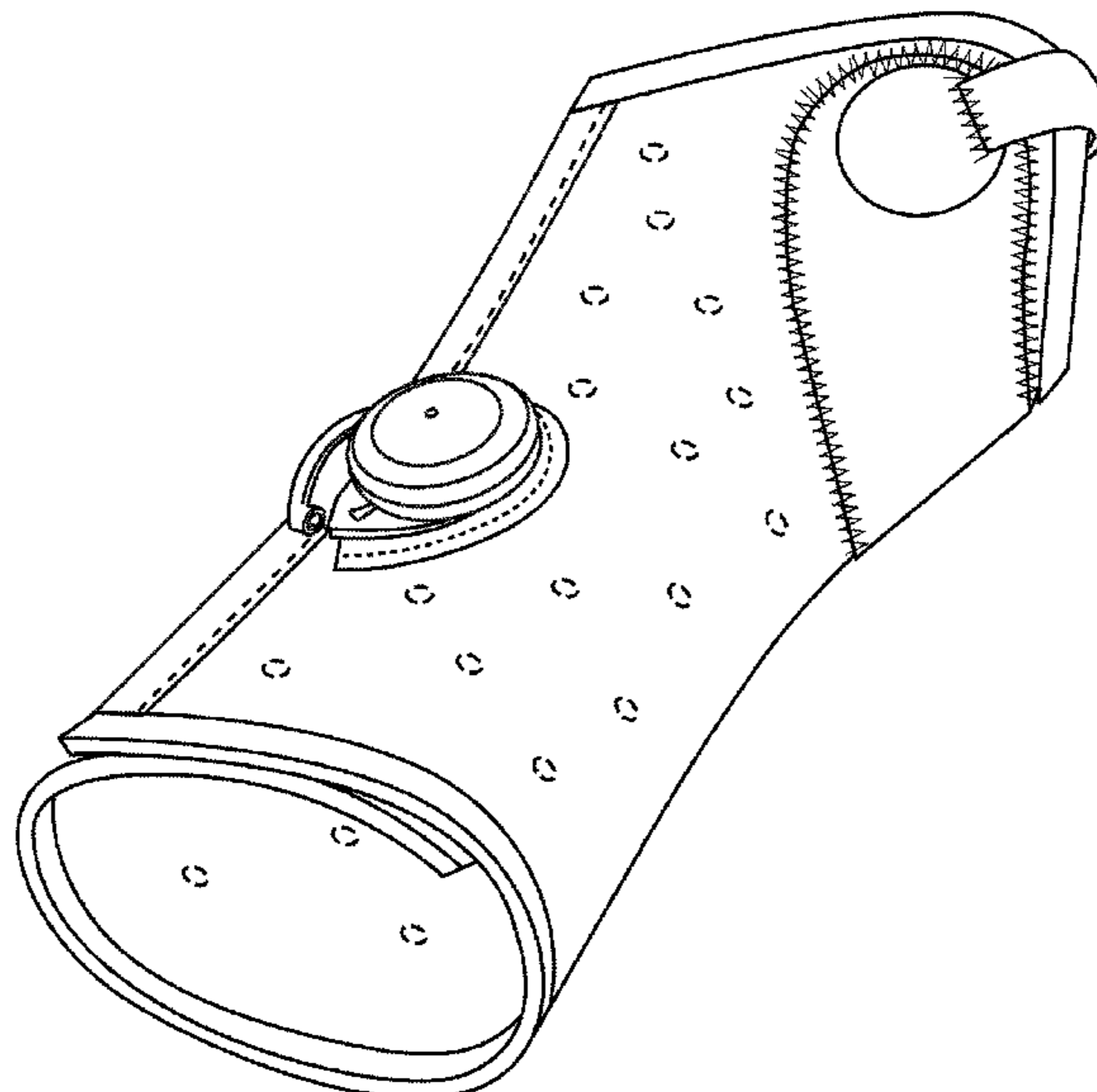
The ornamental design for a wrist brace, as shown and described.

**DESCRIPTION**

FIG. 1 is a front perspective view of a wrist brace of the present invention;  
FIG. 2 is a front perspective view from the opposing angle;  
FIG. 3 is a side perspective view; and,  
FIG. 4 is a rear perspective view.

It is understood that the broken lines on the surface of the claimed design indicates stitch lines which form part of the claimed design, while the circular elements on the surface of the claimed design indicated with broken lines form no part of the claimed design.

**1 Claim, 4 Drawing Sheets**



# US D665,088 S

Page 2

## U.S. PATENT DOCUMENTS

D259,955 S \* 7/1981 Helferich ..... D24/190  
 4,286,586 A 9/1981 Potts  
 4,316,457 A 2/1982 Liegeois  
 D266,288 S \* 9/1982 Coon ..... D29/113  
 4,427,002 A 1/1984 Baron et al.  
 4,442,834 A 4/1984 Tucker et al.  
 4,454,873 A 6/1984 Laufenberg et al.  
 4,471,993 A 9/1984 Watson  
 4,473,671 A 9/1984 Green  
 4,483,333 A 11/1984 Wartman  
 4,531,241 A \* 7/1985 Berger ..... 2/161.2  
 4,572,167 A 2/1986 Brunswick  
 4,584,993 A \* 4/1986 Nelson ..... 602/21  
 4,600,618 A 7/1986 Raychok, Jr. et al.  
 D287,640 S 1/1987 Primiano  
 4,661,535 A 4/1987 Boroff  
 4,765,319 A \* 8/1988 Finnieston et al. .... 602/21  
 4,770,299 A 9/1988 Parker  
 4,784,123 A 11/1988 Robeson  
 4,912,174 A 3/1990 Grouiller  
 RE34,714 E 8/1994 Burns et al.  
 5,364,693 A 11/1994 Moren et al.  
 D357,745 S \* 4/1995 Radwell ..... D24/190  
 5,415,622 A 5/1995 Kelley  
 5,520,529 A 5/1996 Heckel  
 D373,639 S 9/1996 McKie  
 5,624,386 A 4/1997 Tailor et al.  
 5,752,926 A 5/1998 Larson et al.  
 5,769,804 A \* 6/1998 Harris et al. .... 602/21  
 5,807,291 A 9/1998 Larson et al.  
 5,830,167 A 11/1998 Jung  
 D405,180 S 2/1999 Reina  
 5,882,322 A 3/1999 Kim et al.  
 5,934,599 A 8/1999 Hammerslag  
 5,982,285 A \* 11/1999 Bueche et al. .... 340/573.1  
 6,042,557 A 3/2000 Ferguson et al.  
 6,056,713 A 5/2000 Hayashi  
 6,093,161 A \* 7/2000 Vlaeyen et al. .... 602/6  
 6,110,134 A 8/2000 Clark, Jr. et al.  
 6,186,966 B1 2/2001 Grim et al.  
 6,202,953 B1 3/2001 Hammerslag  
 6,289,558 B1 9/2001 Hammerslag  
 6,322,529 B1 11/2001 Chung  
 6,325,772 B1 12/2001 Scheuermann et al.  
 6,358,220 B1 3/2002 Langen et al.  
 D463,565 S 9/2002 Slautterback  
 6,520,925 B1 2/2003 Thibodo, Jr.  
 D473,653 S 4/2003 Weaver, II et al.  
 D477,088 S \* 7/2003 Brown et al. .... D24/190  
 D477,409 S \* 7/2003 Mills et al. .... D24/190  
 6,663,581 B1 12/2003 Calabrese  
 D496,465 S \* 9/2004 Weaver, II ..... D24/190  
 6,843,190 B1 1/2005 LaPierre-McAfee  
 6,893,410 B1 \* 5/2005 Hely ..... 602/21  
 6,960,176 B1 \* 11/2005 Hely et al. .... 602/21  
 7,001,348 B2 2/2006 Garth et al.  
 7,056,298 B1 6/2006 Weber

7,182,741 B2 2/2007 Porrata et al.  
 7,204,817 B1 4/2007 Toronto et al.  
 D558,883 S 1/2008 Ortiz  
 D565,189 S \* 3/2008 Gramza et al. .... D24/190  
 7,399,288 B2 7/2008 Chao  
 D580,064 S \* 11/2008 Lin et al. .... D24/190  
 D580,555 S \* 11/2008 Lin et al. .... D24/190  
 7,470,243 B2 12/2008 Garth  
 D584,822 S 1/2009 Weber  
 7,591,050 B2 9/2009 Hammerslag  
 7,597,671 B2 10/2009 Baumgartner et al.  
 7,645,250 B2 1/2010 Koby et al.  
 D617,464 S \* 6/2010 Weaver et al. .... D24/190  
 7,727,172 B2 6/2010 Wang  
 D626,242 S \* 10/2010 Sagnip et al. .... D24/190  
 7,854,714 B1 12/2010 Weber et al.  
 D632,401 S 2/2011 Stevens  
 7,955,287 B2 \* 6/2011 Frangi ..... 602/22  
 2002/0095750 A1 7/2002 Hammerslag  
 2002/0161114 A1 10/2002 Gunatillake et al.  
 2003/0178404 A1 9/2003 DiMartino et al.  
 2003/0204938 A1 11/2003 Hammerslag  
 2004/0024337 A1 2/2004 Tseng et al.  
 2005/0043664 A1 2/2005 Reaux  
 2005/0273030 A1 12/2005 Koby et al.  
 2005/0281999 A1 12/2005 Hofmann et al.  
 2006/0051402 A1 3/2006 Bogardus et al.  
 2006/0052730 A1 3/2006 Hargrave et al.  
 2006/0129075 A1 6/2006 Scheinberg et al.  
 2006/0155226 A1 \* 7/2006 Grim et al. .... 602/6  
 2006/0156517 A1 7/2006 Hammerslag et al.  
 2007/0004993 A1 1/2007 Coppens et al.  
 2007/0077393 A1 4/2007 Chiang et al.  
 2008/0060167 A1 3/2008 Hammerslag et al.  
 2008/0060168 A1 3/2008 Hammerslag et al.  
 2008/0066272 A1 3/2008 Hammerslag et al.  
 2008/0066345 A1 3/2008 Hammerslag et al.  
 2008/0066346 A1 3/2008 Hammerslag et al.  
 2008/0082033 A1 4/2008 Ortiz  
 2008/0083135 A1 4/2008 Hammerslag et al.  
 2008/0262400 A1 10/2008 Clark et al.  
 2008/0319362 A1 12/2008 Joseph  
 2009/0204047 A1 8/2009 MacArthur  
 2010/0299959 A1 12/2010 Hammerslag et al.  
 2011/0130694 A1 \* 6/2011 Livolsi et al. .... 602/21

## FOREIGN PATENT DOCUMENTS

EP 0625342 A1 11/1994  
 WO WO 2007035875 A1 3/2007

## OTHER PUBLICATIONS

Application and File History for U.S. Appl. No. 29/368,156, filed Aug. 18, 2010. Inventor: Joseph.

Application and File History for U.S. Appl. No. 29/368,157, filed Aug. 18, 2010. Inventor: Joseph.

\* cited by examiner

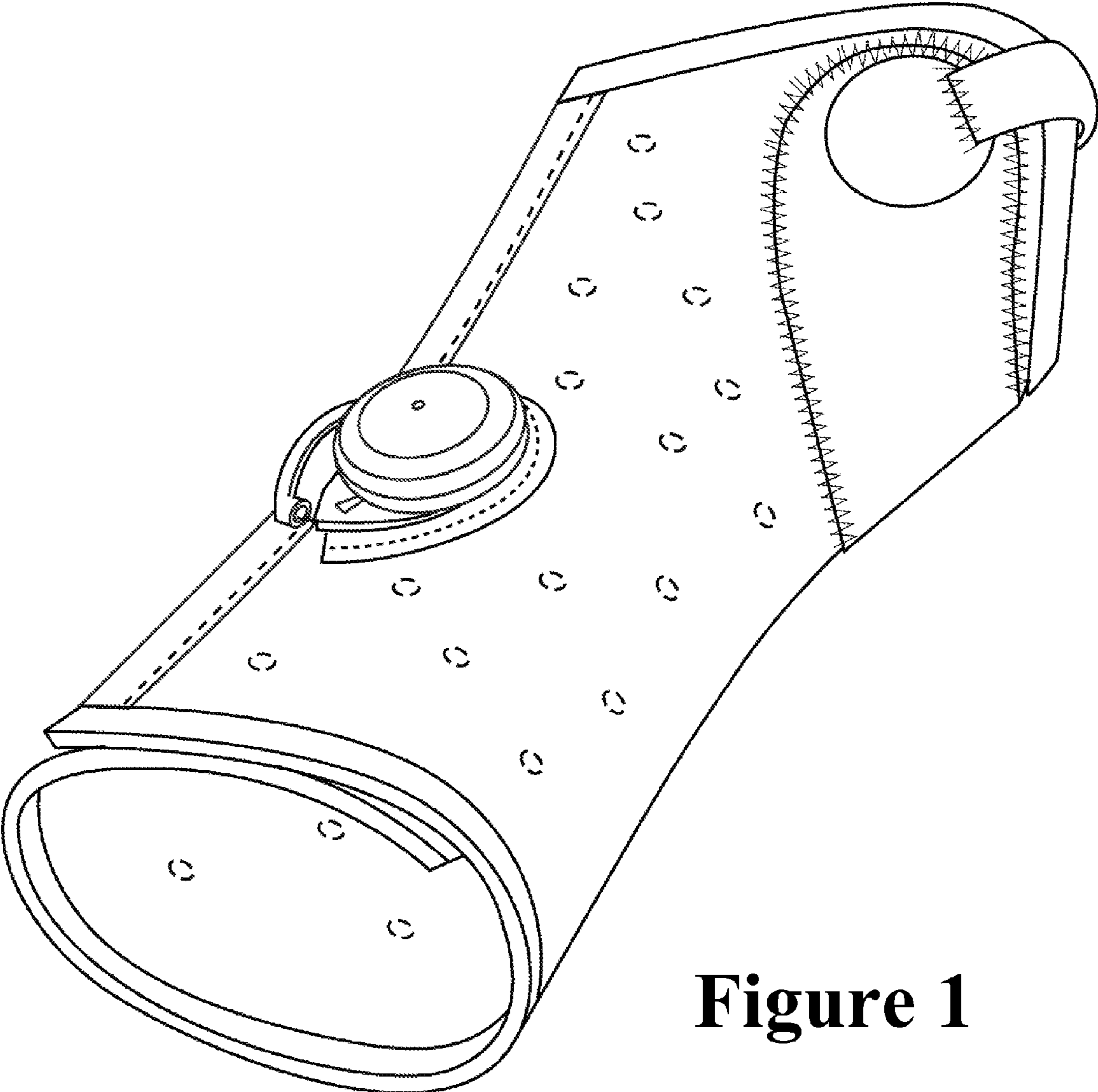
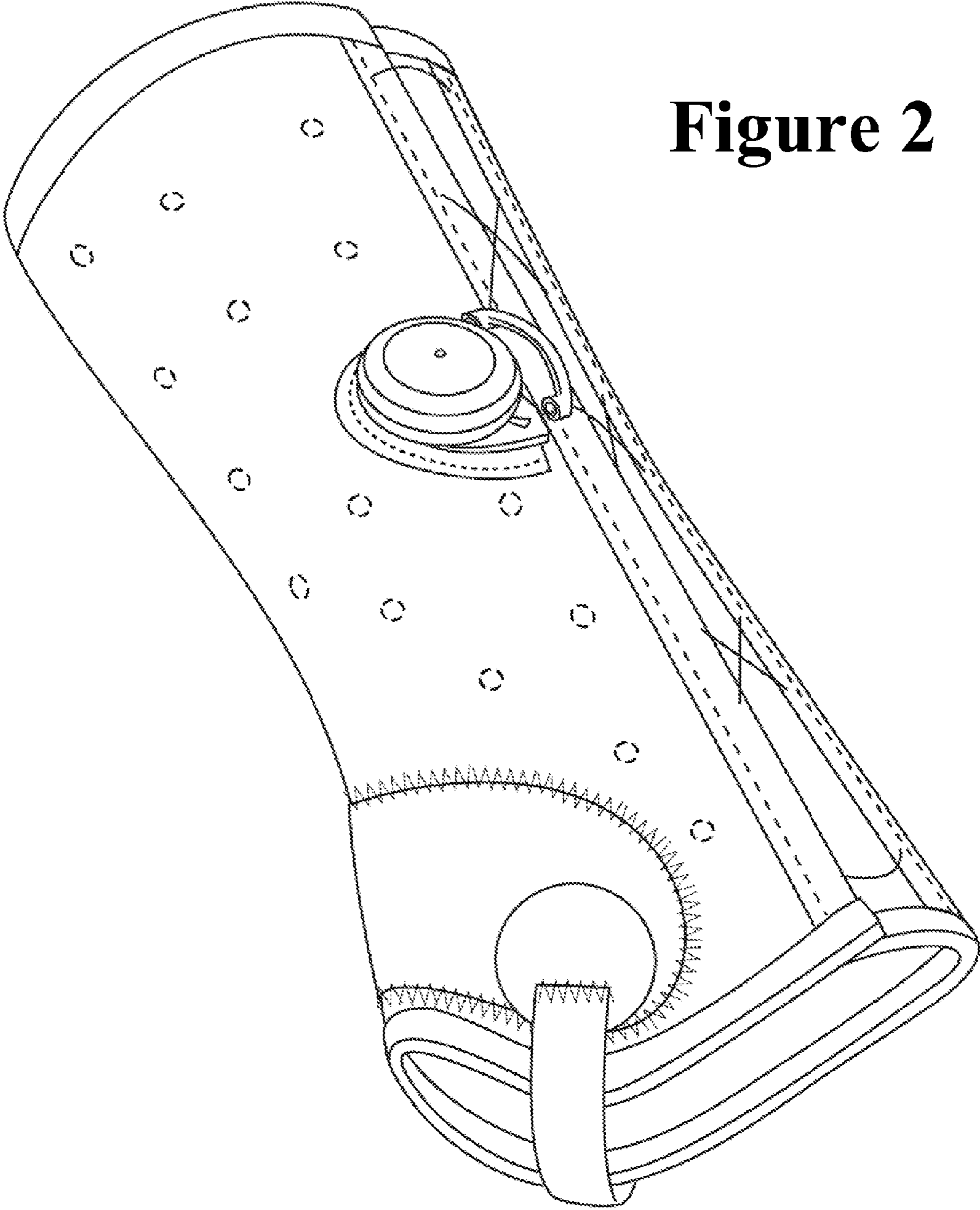
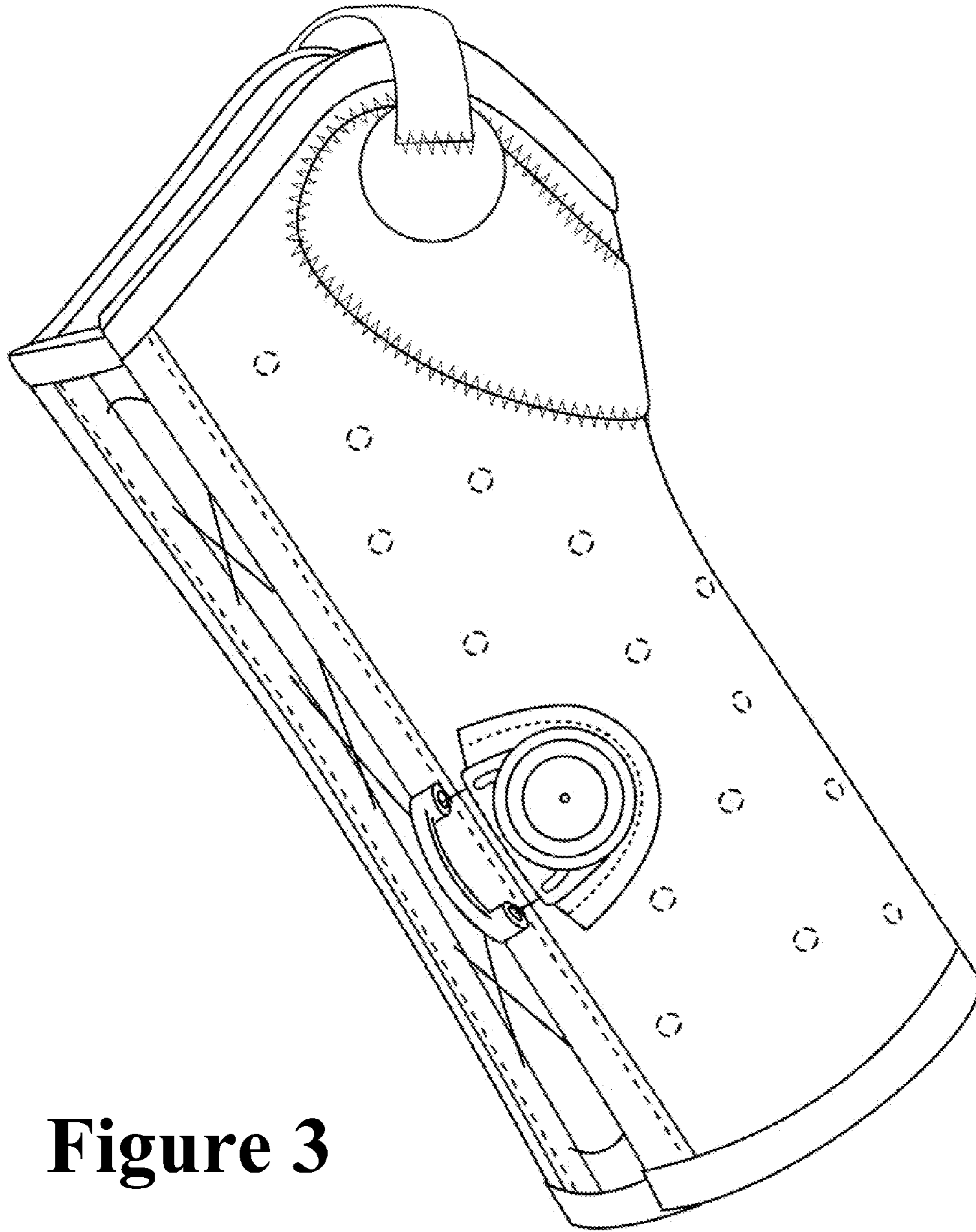


Figure 1



**Figure 2**



**Figure 3**

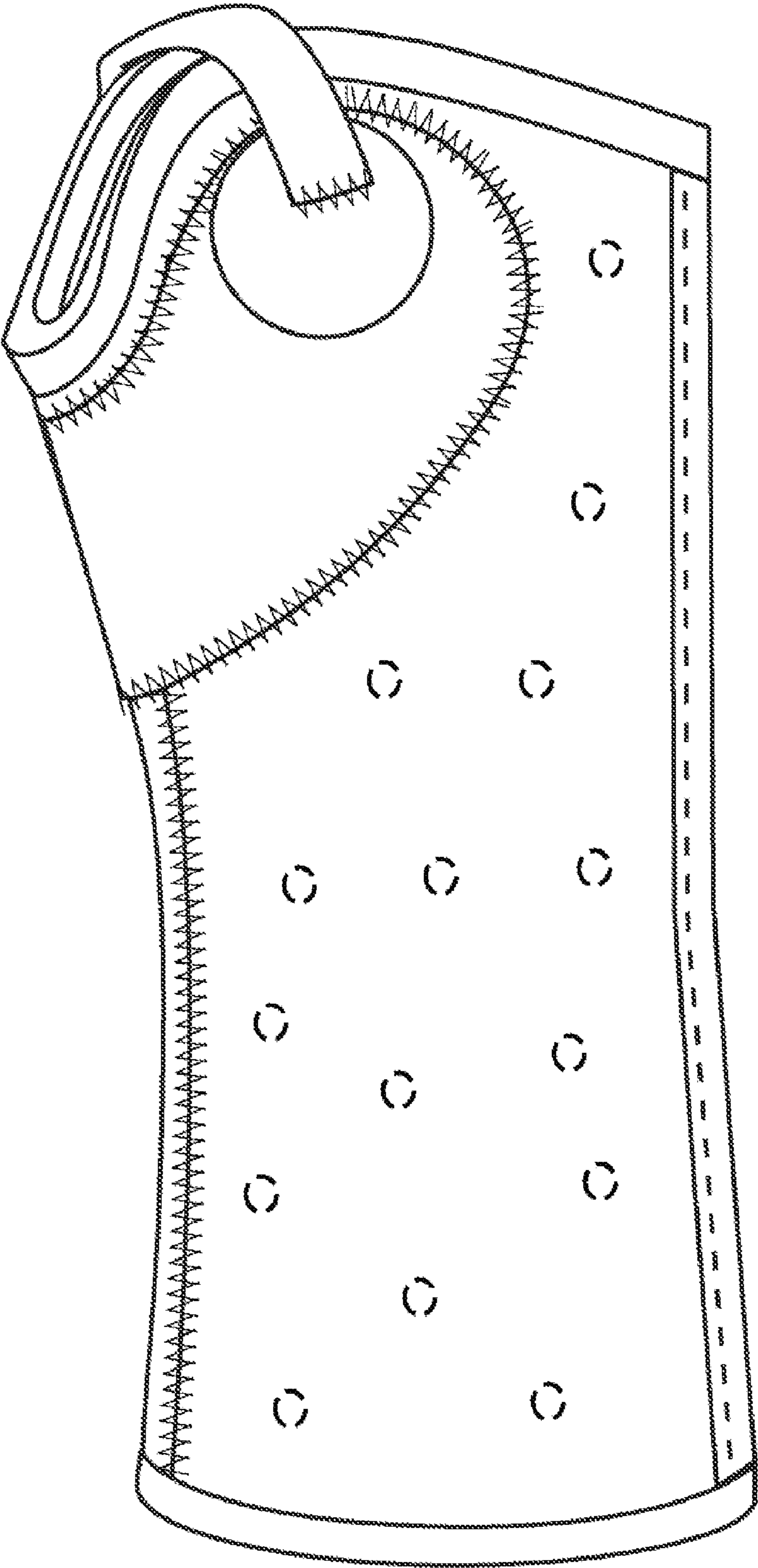


Figure 4