



US00D665081S

(12) **United States Design Patent**
Hansell et al.

(10) **Patent No.:** **US D665,081 S**

(45) **Date of Patent:** **** Aug. 7, 2012**

(54) **INTERVERTEBRAL SPACER**

(76) Inventors: **Noah Hansell**, King of Prussia, PA (US);
Marcin Niemiec, Bridgeport, PA (US);
William S. Rhoda, Media, PA (US);
Michael Meccariello, Media, PA (US)

(**) Term: **14 Years**

(21) Appl. No.: **29/399,780**

(22) Filed: **Aug. 18, 2011**

(51) **LOC (9) Cl.** **24-02**

(52) **U.S. Cl.** **D24/155**

(58) **Field of Classification Search** D24/155,
D24/156, 133, 152, 154, 135, 144-146, 151;
606/194, 198; 623/23.54, 23.7, 1.15, 903;
604/1.02, 103.02

See application file for complete search history.

(56) **References Cited**

U.S. PATENT DOCUMENTS

D533,277 S	*	12/2006	Blain	D24/155
D553,744 S	*	10/2007	Park	D24/155
D616,546 S	*	5/2010	Vraney et al.	D24/155
D620,110 S	*	7/2010	Courtney et al.	D24/155
D620,113 S	*	7/2010	Courtney et al.	D24/155

D620,114 S	*	7/2010	Pannu	D24/155
D627,467 S	*	11/2010	Pannu	D24/155
D627,468 S	*	11/2010	Richter et al.	D24/155
D629,108 S	*	12/2010	Richter et al.	D24/155
D650,481 S	*	12/2011	Gottlieb et al.	D24/155

* cited by examiner

Primary Examiner — Ian Simmons

Assistant Examiner — Charles Hanson

(57) **CLAIM**

The ornamental design for an intervertebral spacer, as shown and described herein.

DESCRIPTION

This application claims priority to the U.S. patent application Ser. No. 12/250,168 filed Oct. 13, 2008, the entire contents of which are incorporated herein by reference.

FIG. 1 is a perspective view of an intervertebral spacer showing our new design;

FIG. 2 is a top plan view thereof;

FIG. 3 is a bottom plan view thereof;

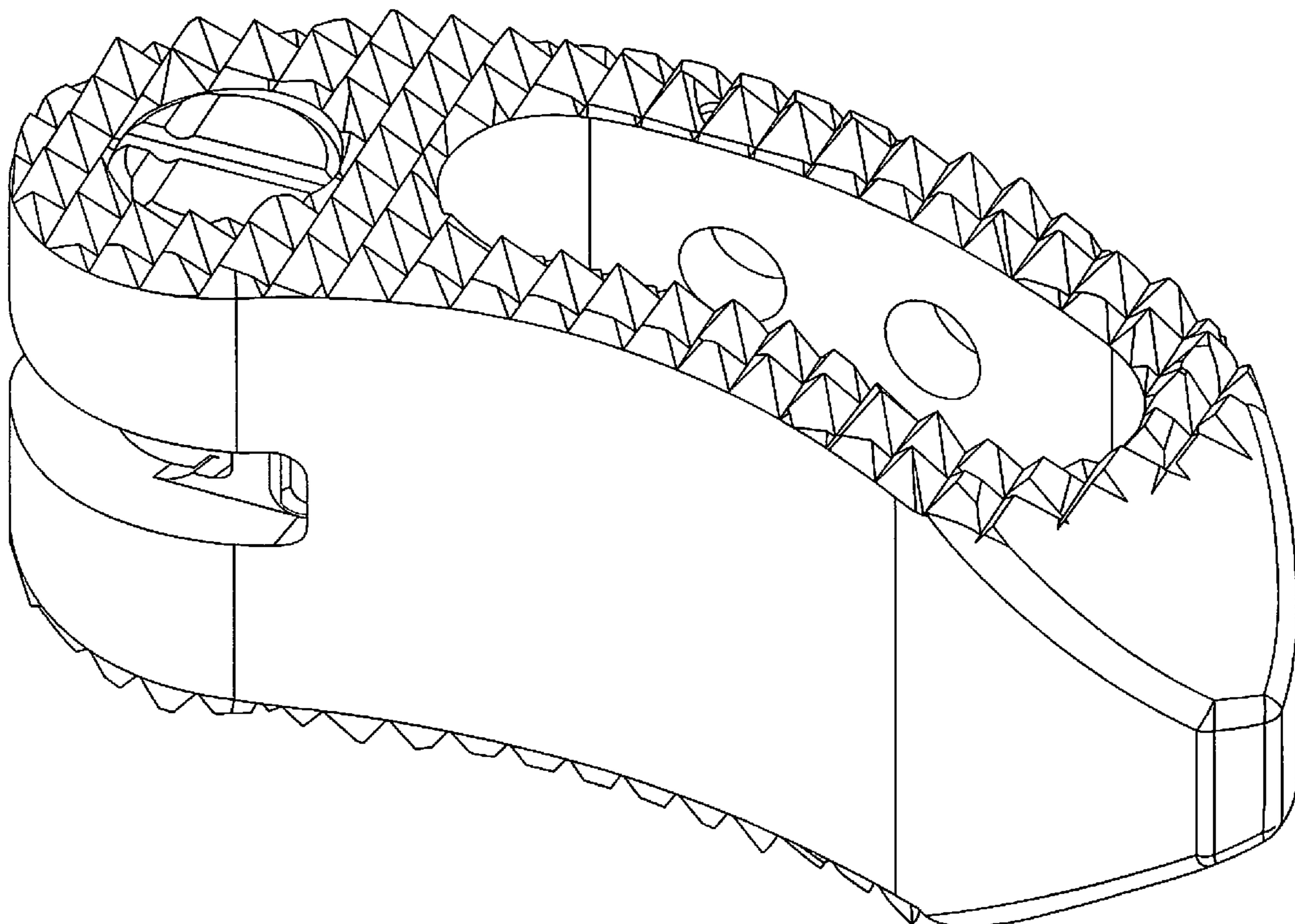
FIG. 4 is a side elevation thereof; and

FIG. 5 is a side elevation of the side opposite that shown in FIG. 4.

FIG. 6 is a rear elevation thereof; and,

FIG. 7 is a front elevation thereof.

1 Claim, 7 Drawing Sheets



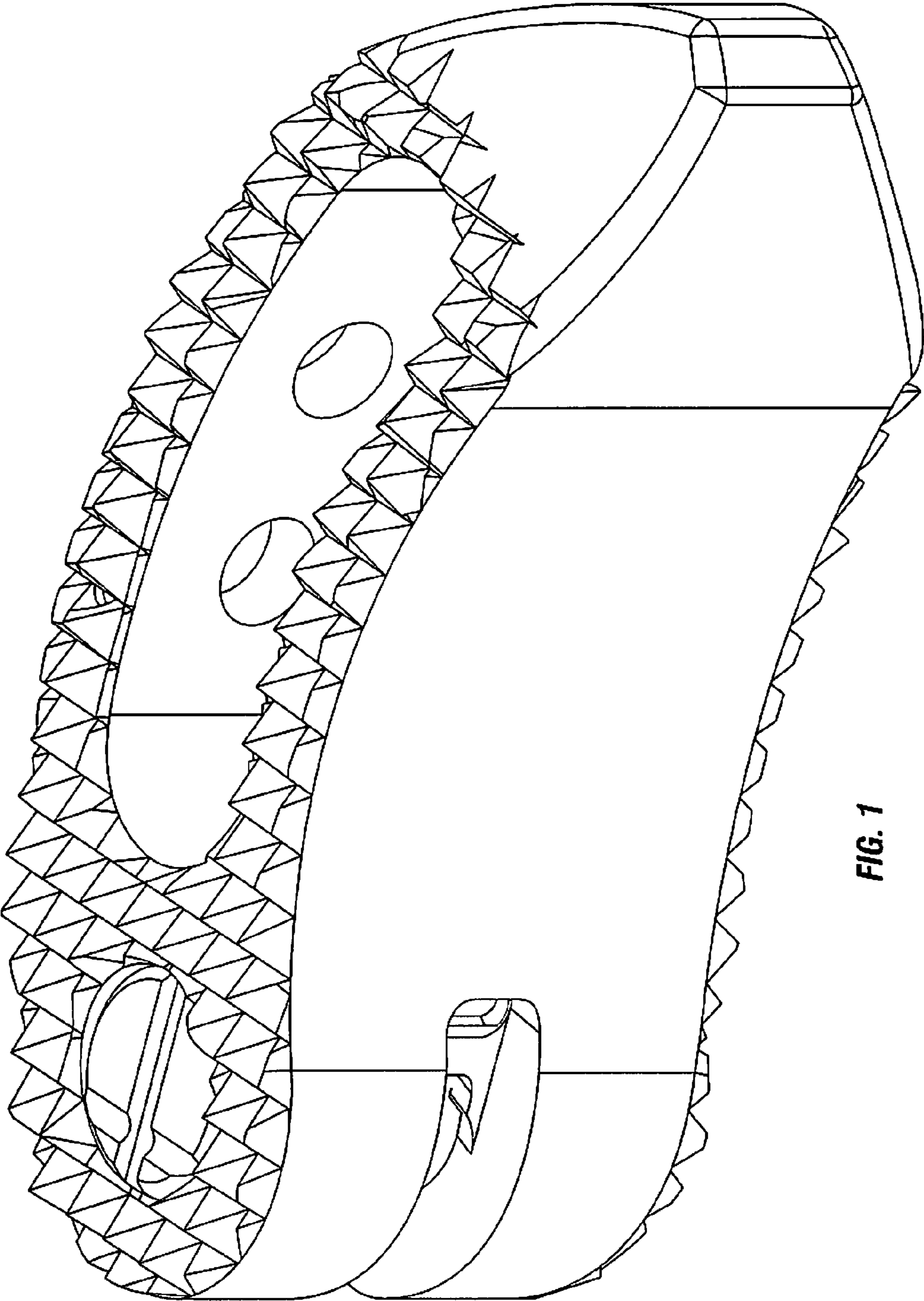


FIG. 1

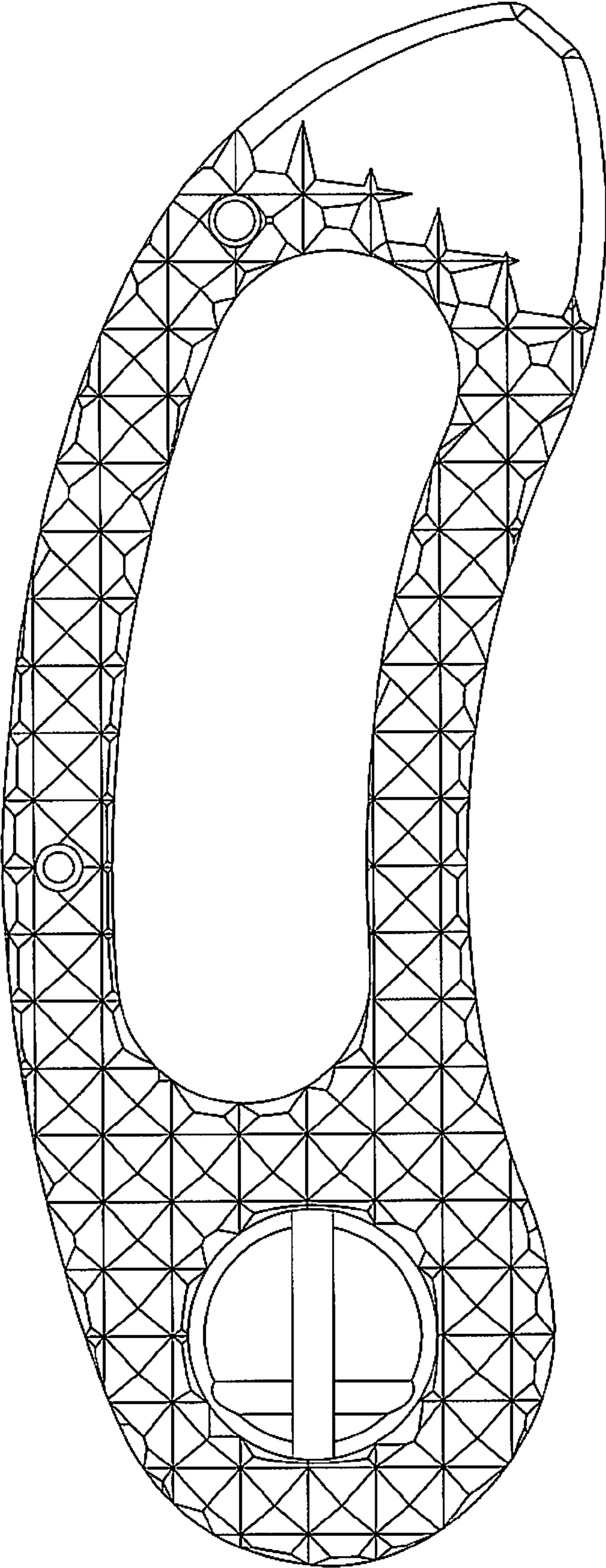


FIG. 2

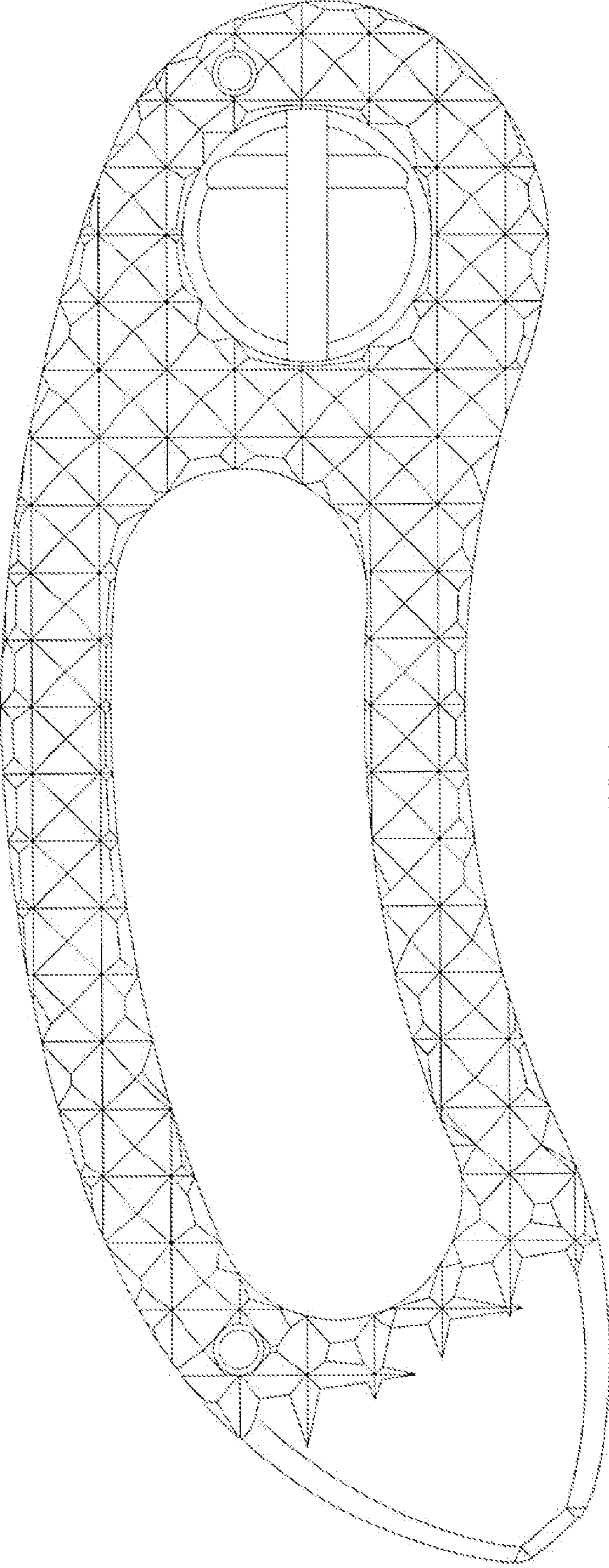


FIG. 3

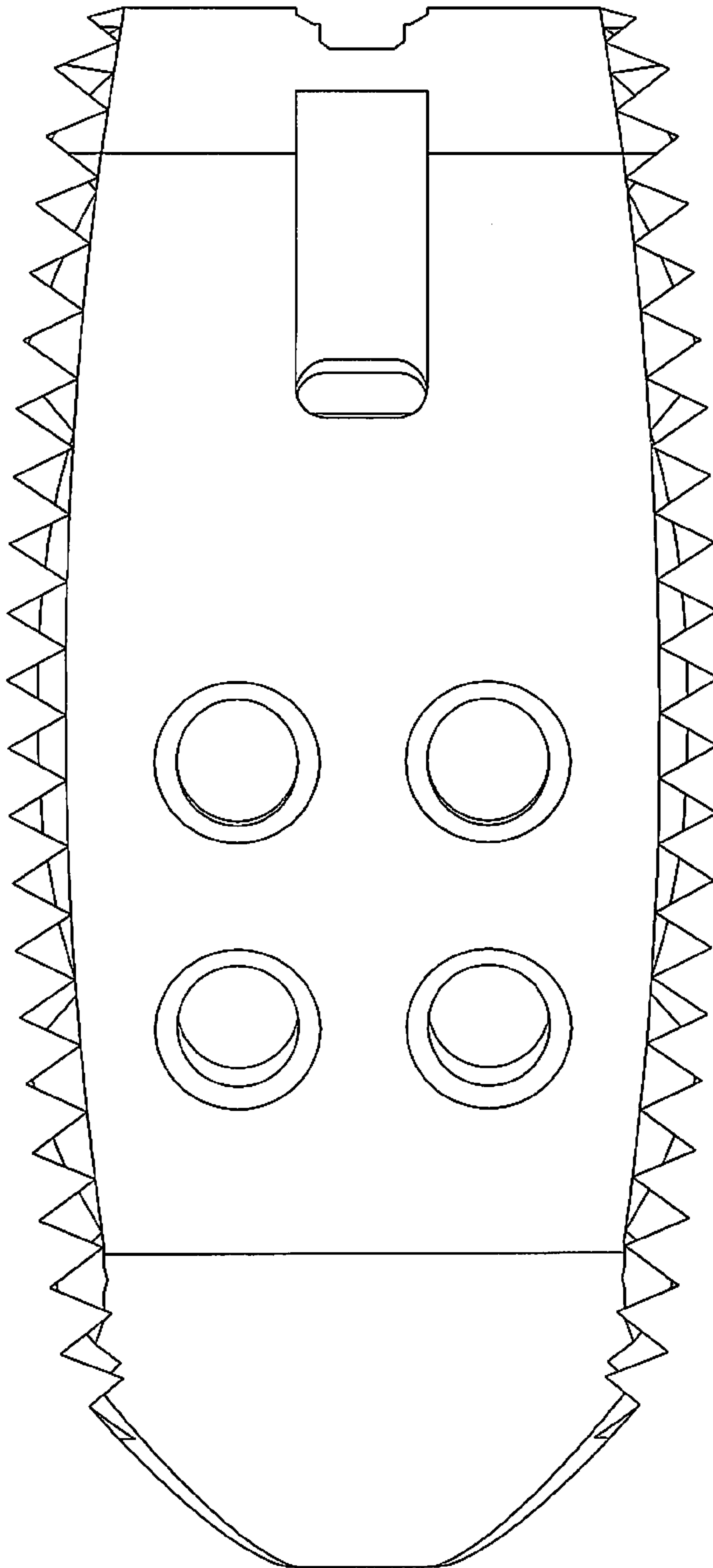


FIG. 4

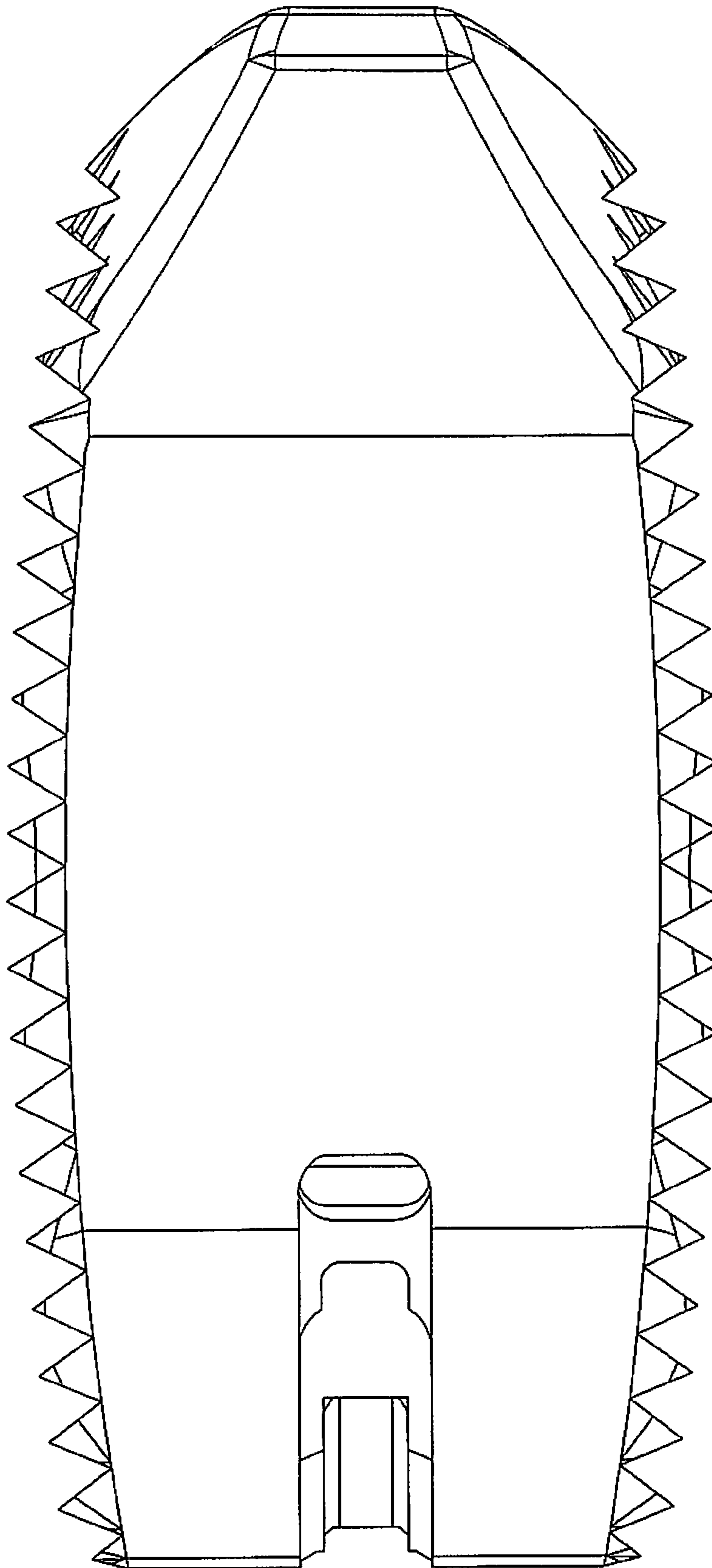


FIG. 5

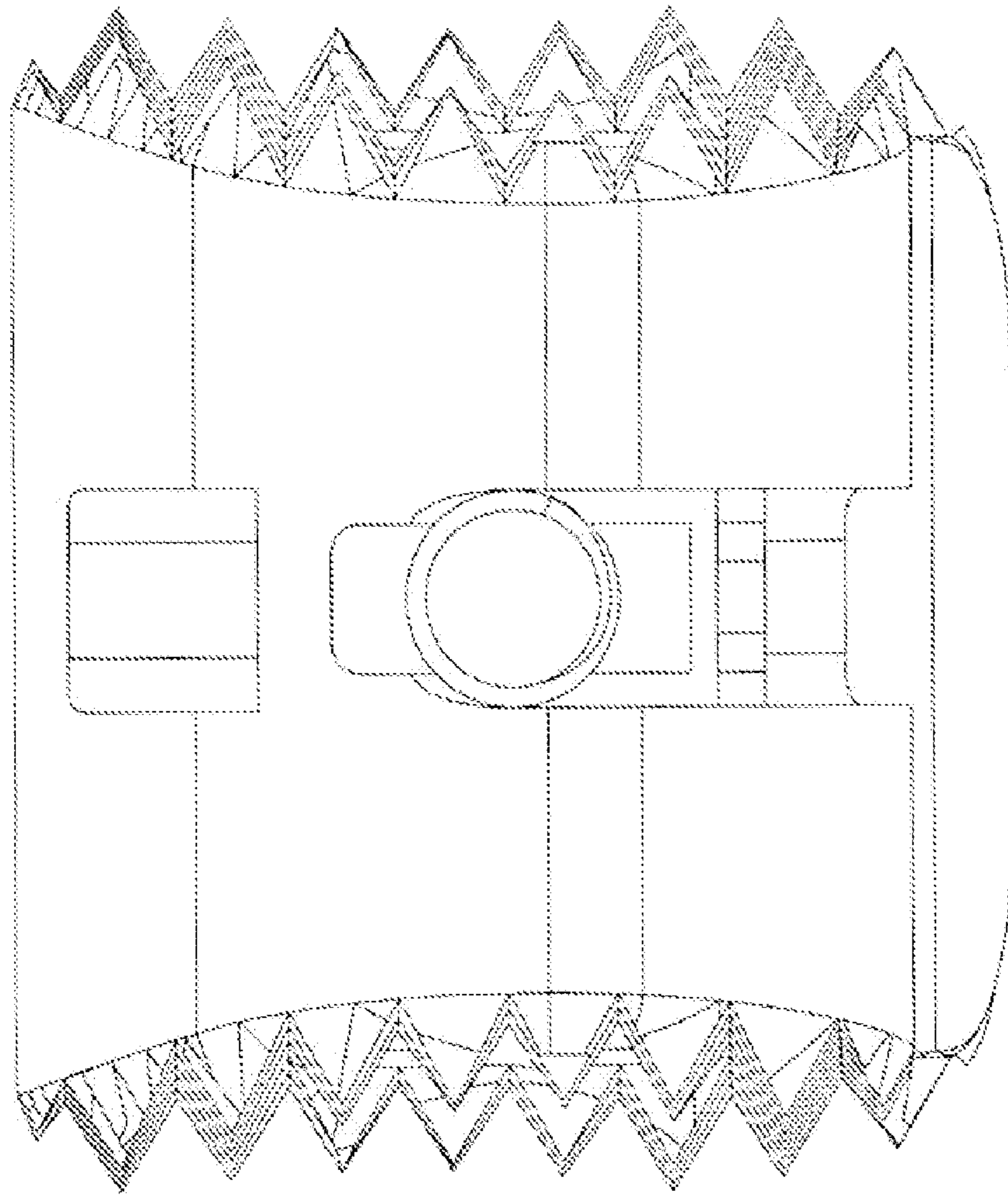


FIG. 6

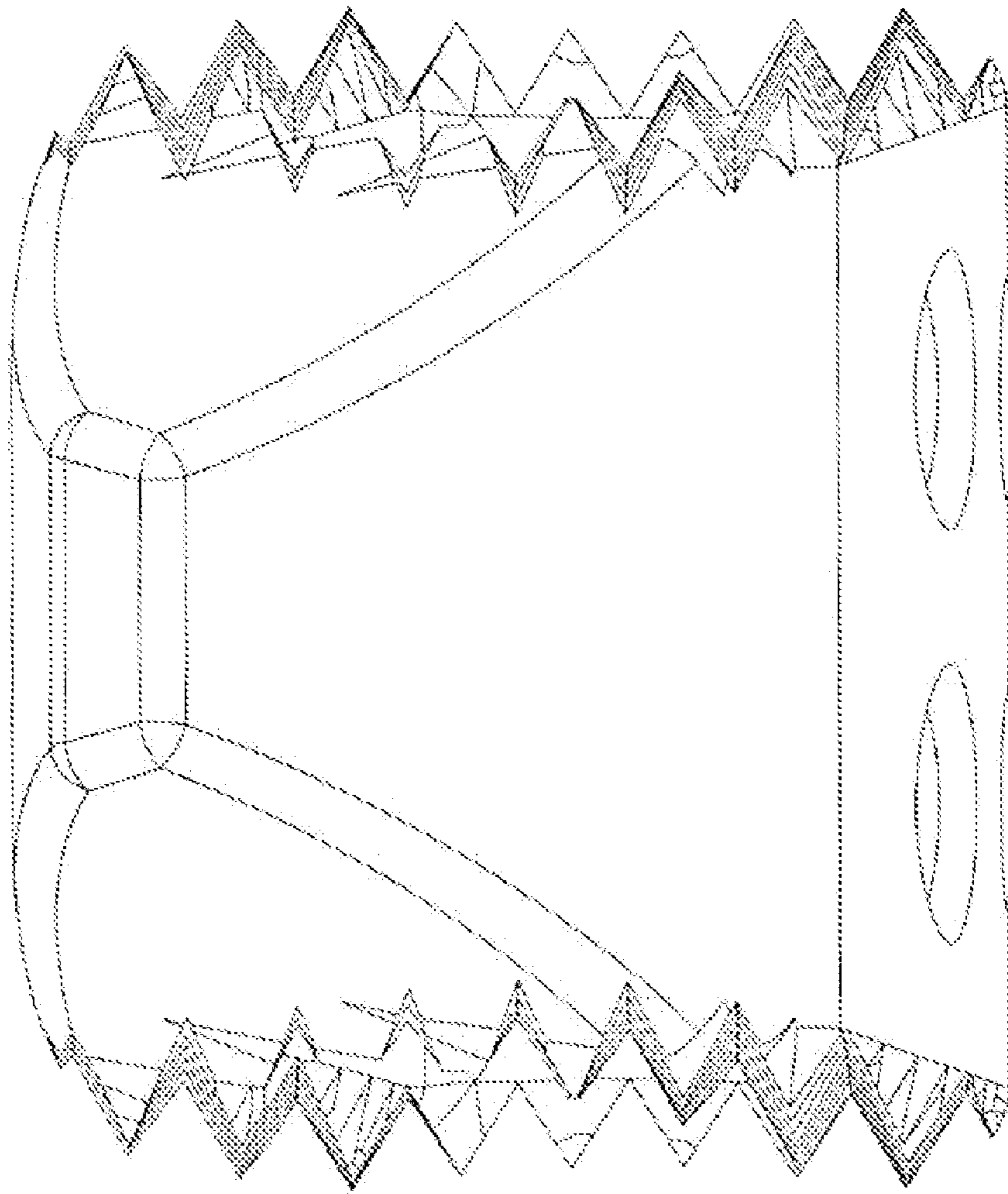


FIG. 7