



US00D665078S

(12) **United States Design Patent**
Griffis, III et al.

(10) **Patent No.:** **US D665,078 S**

(45) **Date of Patent:** **** Aug. 7, 2012**

(54) **SOFT TISSUE ANCHOR**

(75) Inventors: **Jack C. Griffis, III**, Decatur, GA (US);
Kenneth A. Gall, Atlanta, GA (US);
Stephen Lee Laffoon, Atlanta, GA (US)

(73) Assignee: **MedShape Solutions, Inc.**, Atlanta, GA (US)

(**) Term: **14 Years**

(21) Appl. No.: **29/380,432**

(22) Filed: **Dec. 4, 2010**

(51) **LOC (9) Cl.** **24-02**

(52) **U.S. Cl.** **D24/145; D8/387**

(58) **Field of Classification Search** D24/145;
D8/387; 606/60, 65, 86 R, 104, 308, 319,
606/74, 95, 99, 232

See application file for complete search history.

(56) **References Cited**

U.S. PATENT DOCUMENTS

D24,855 S *	11/1895	Trapp	D8/387
6,168,598 B1 *	1/2001	Martello	606/74
6,283,973 B1 *	9/2001	Hubbard et al.	606/104
6,527,777 B2 *	3/2003	Justin	606/65

6,989,014 B2 *	1/2006	Justin et al.	606/65
7,189,238 B2 *	3/2007	Lombardo et al.	606/232
2007/0198017 A1 *	8/2007	Tschakaloff et al.	606/73
2010/0016902 A1 *	1/2010	Paulk et al.	606/104
2010/0198258 A1 *	8/2010	Heaven et al.	606/232

* cited by examiner

Primary Examiner — Wan Laymon

(74) *Attorney, Agent, or Firm* — Furman IP Law

(57) **CLAIM**

The ornamental design for a soft tissue anchor, as shown and described.

DESCRIPTION

FIG. 1 is a perspective view of a new design for a soft tissue anchor;

FIG. 2 is an enlarged front view thereof;

FIG. 3 is an enlarged back view thereof;

FIG. 4 is a right side view thereof;

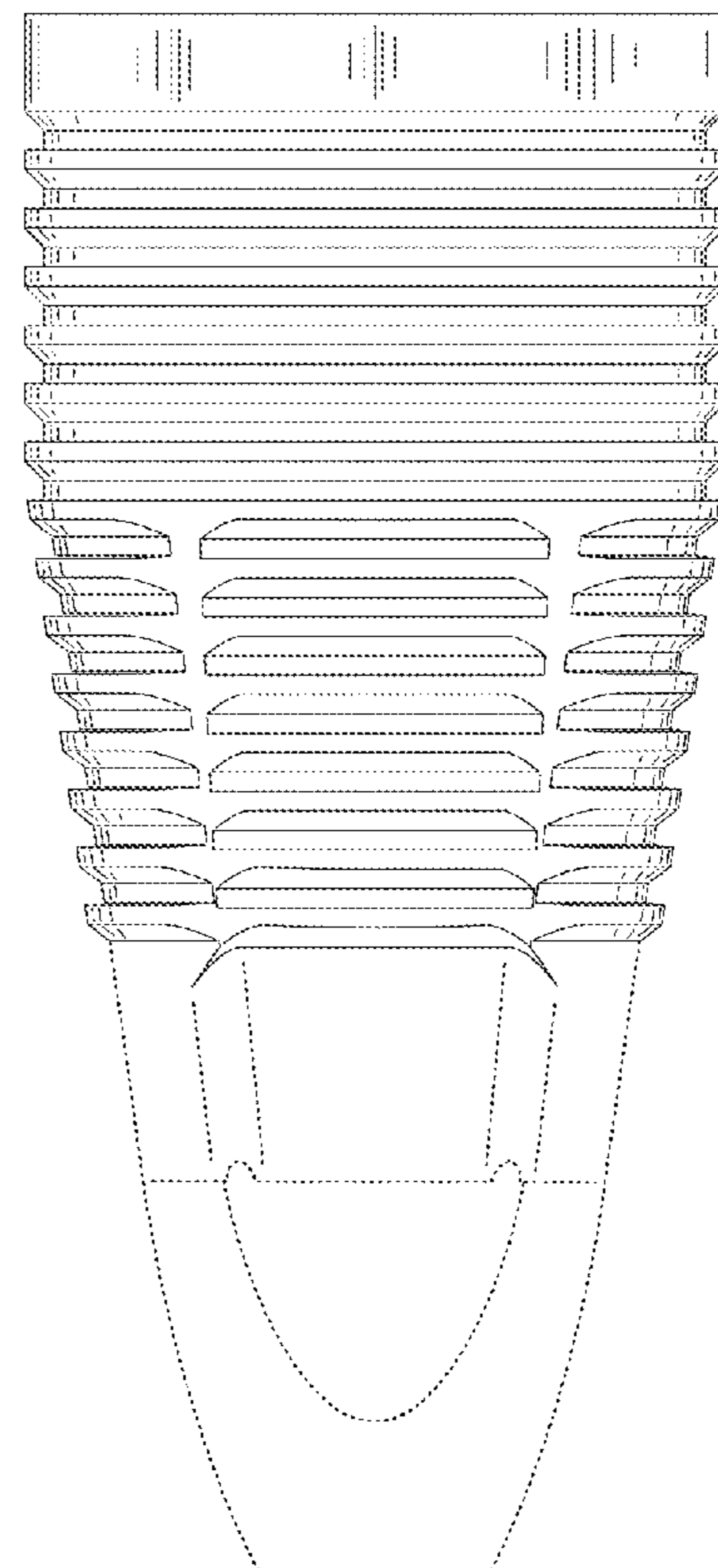
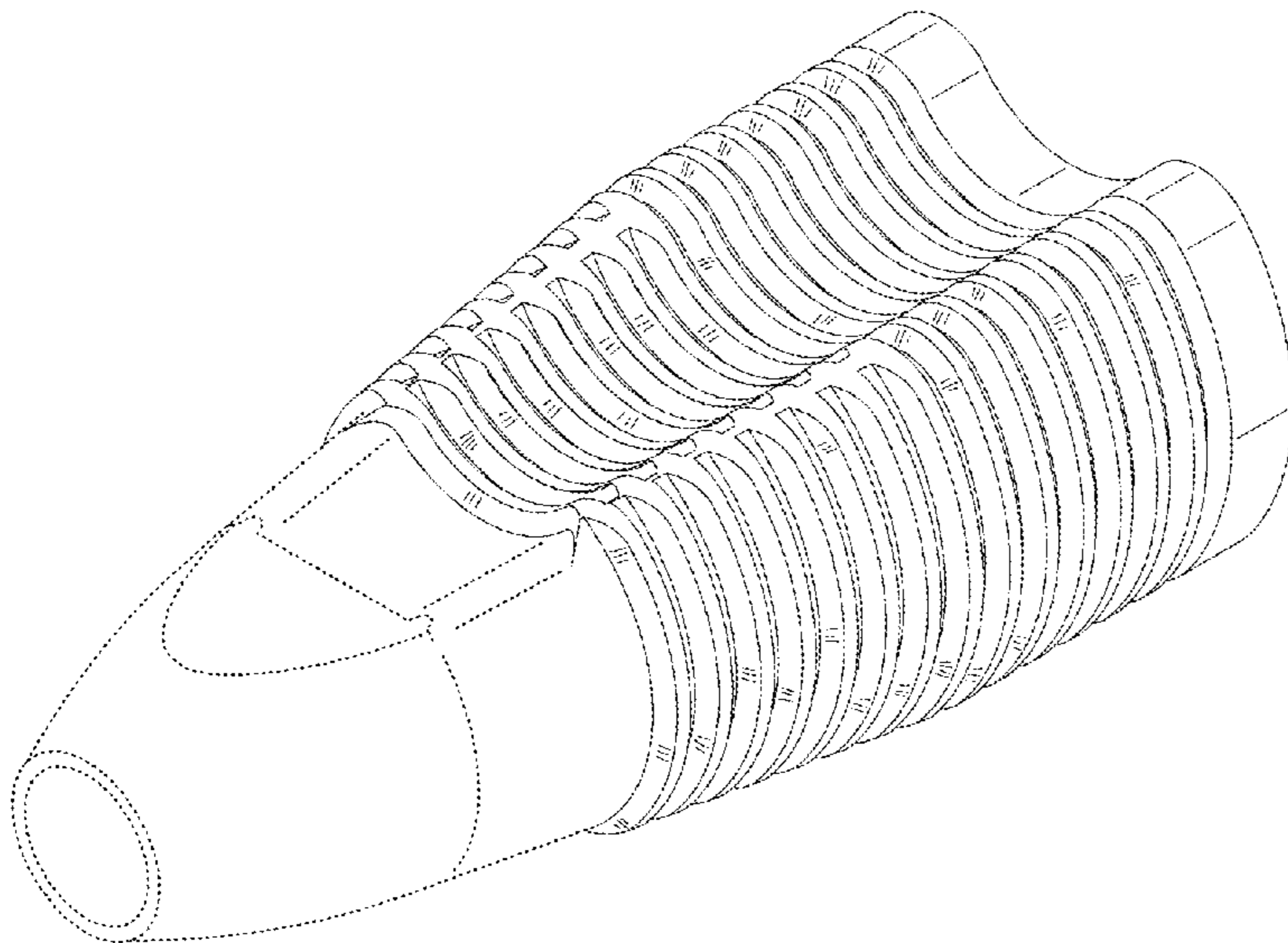
FIG. 5 is a left side view thereof;

FIG. 6 is a top view thereof; and,

FIG. 7 is a bottom view thereof.

The broken line showing portion of a soft tissue anchor is included for illustrating environmental structure and forms no part of the claimed design.

1 Claim, 7 Drawing Sheets



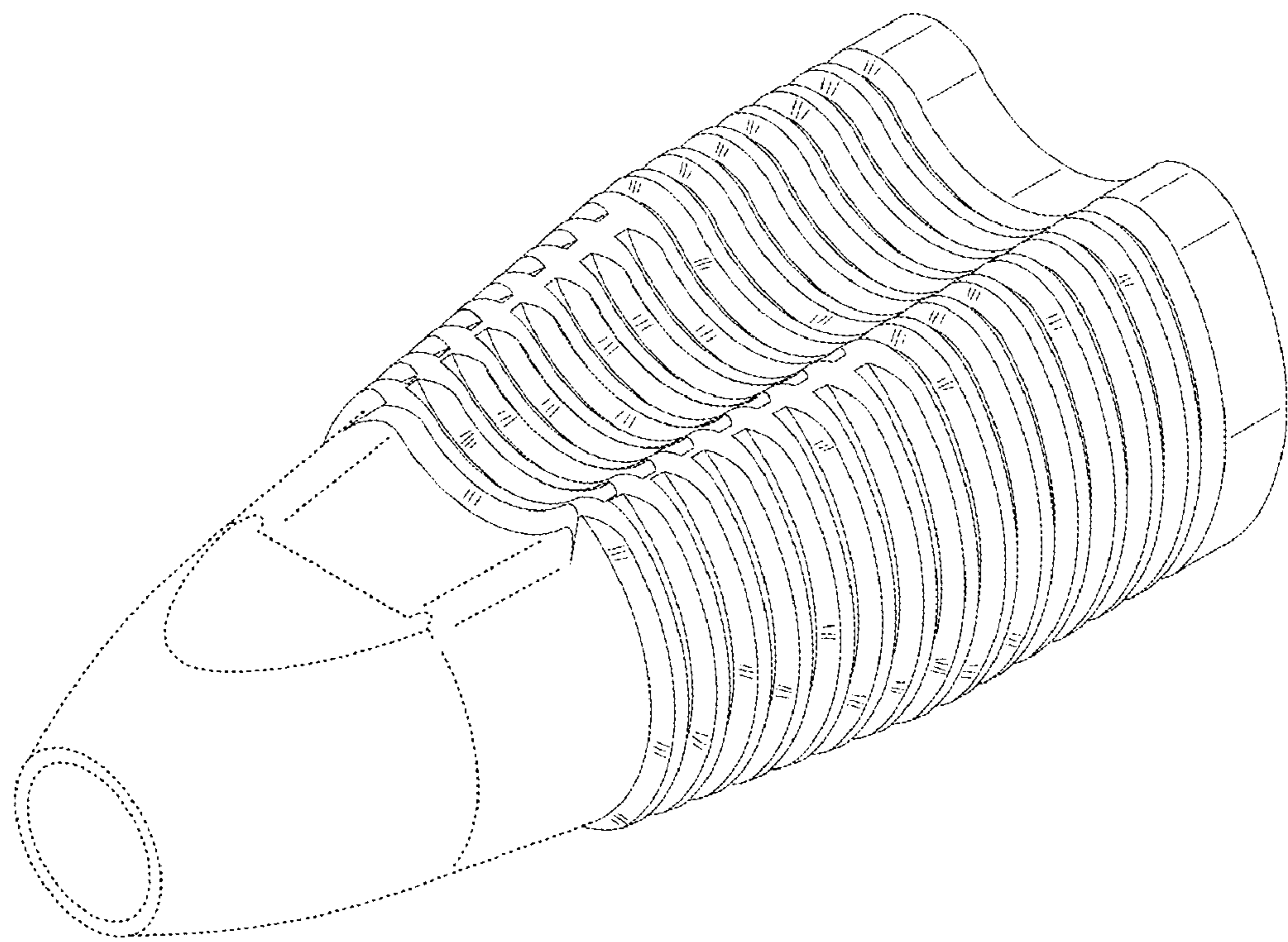


FIG. 1

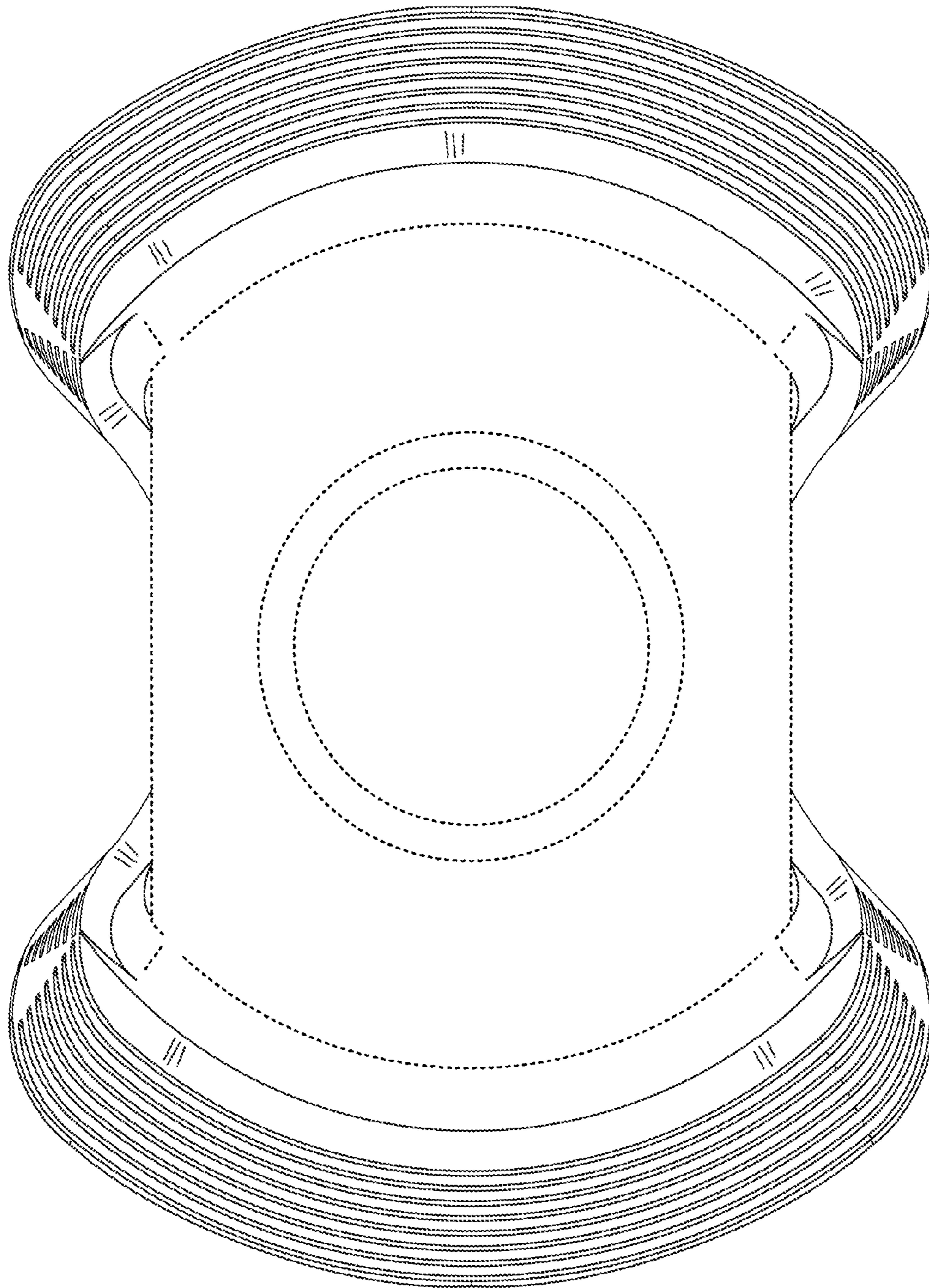


FIG.2

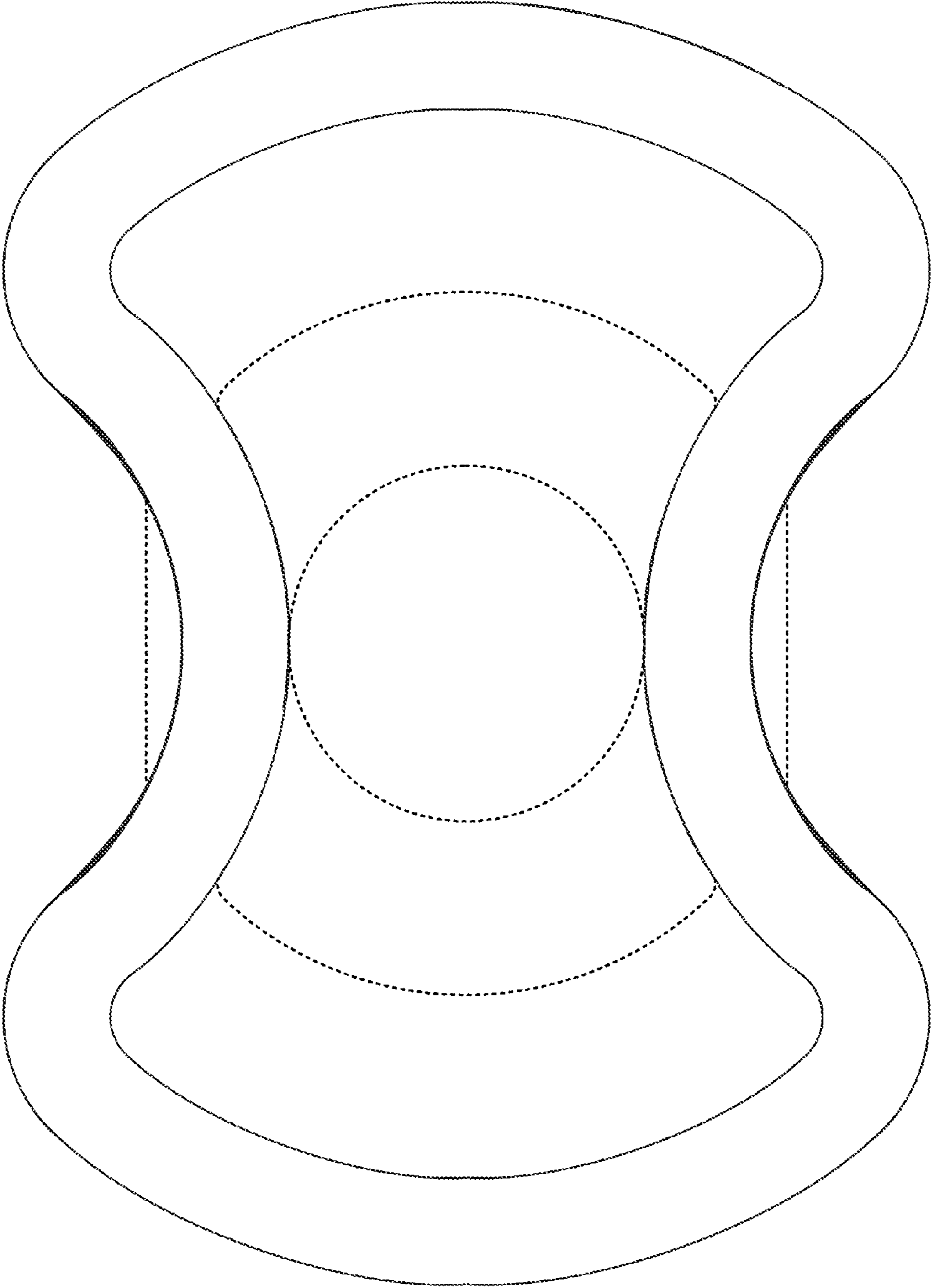


FIG.3

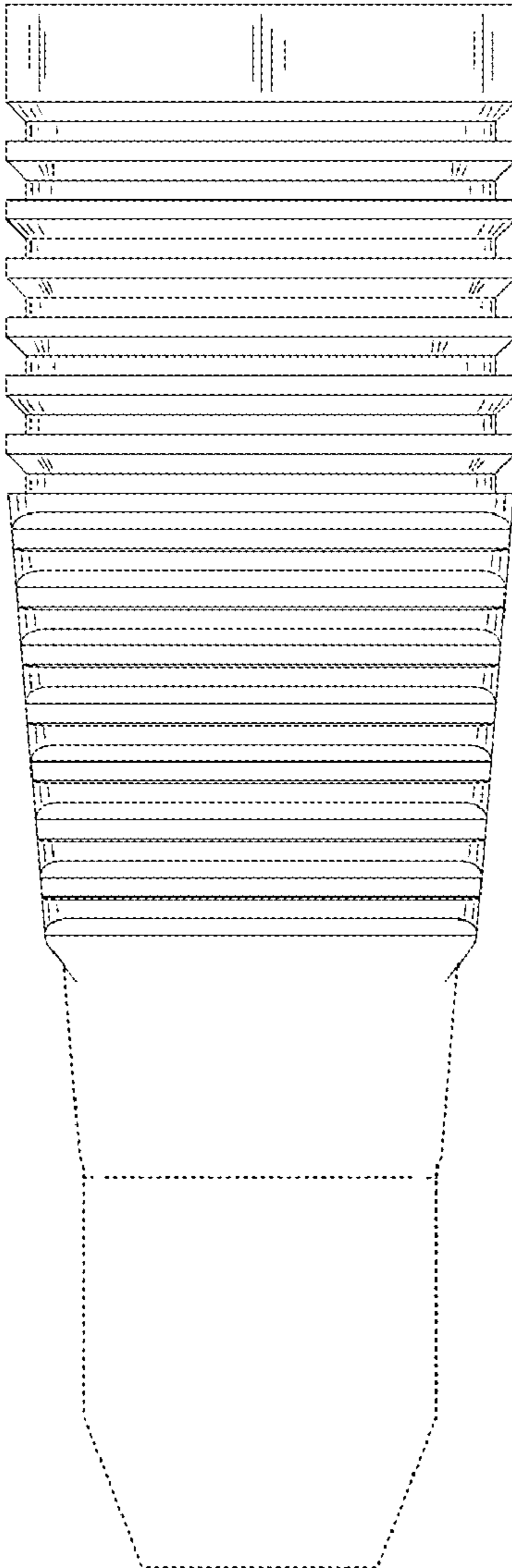


FIG.4

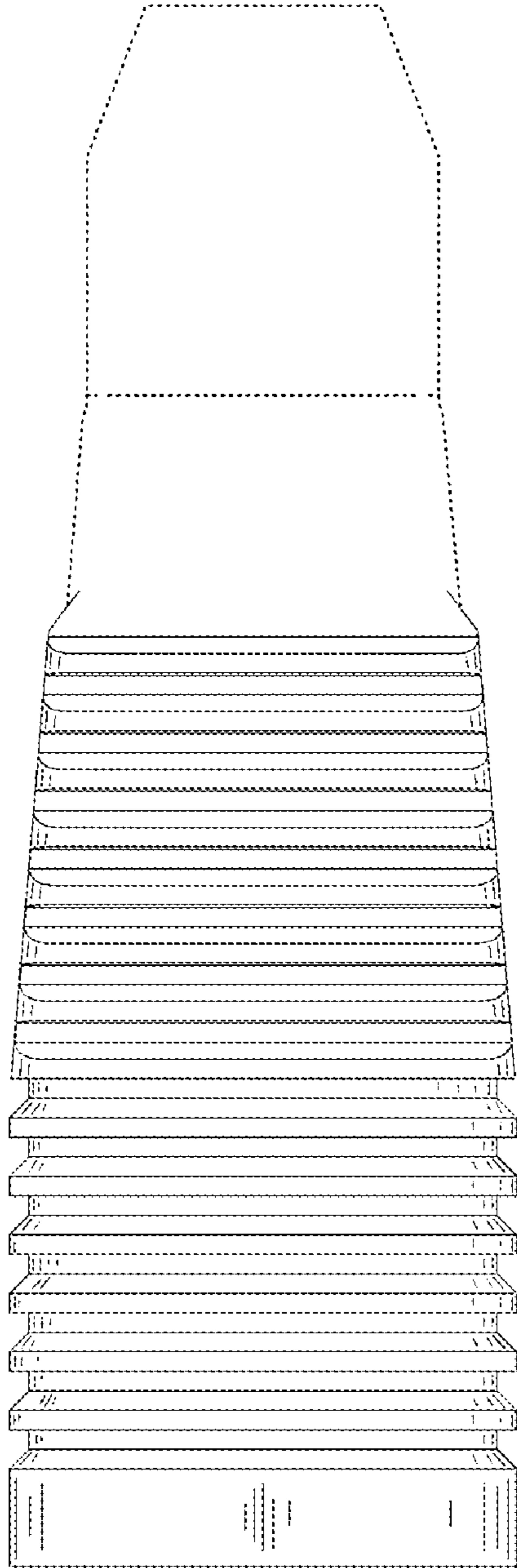


FIG. 5

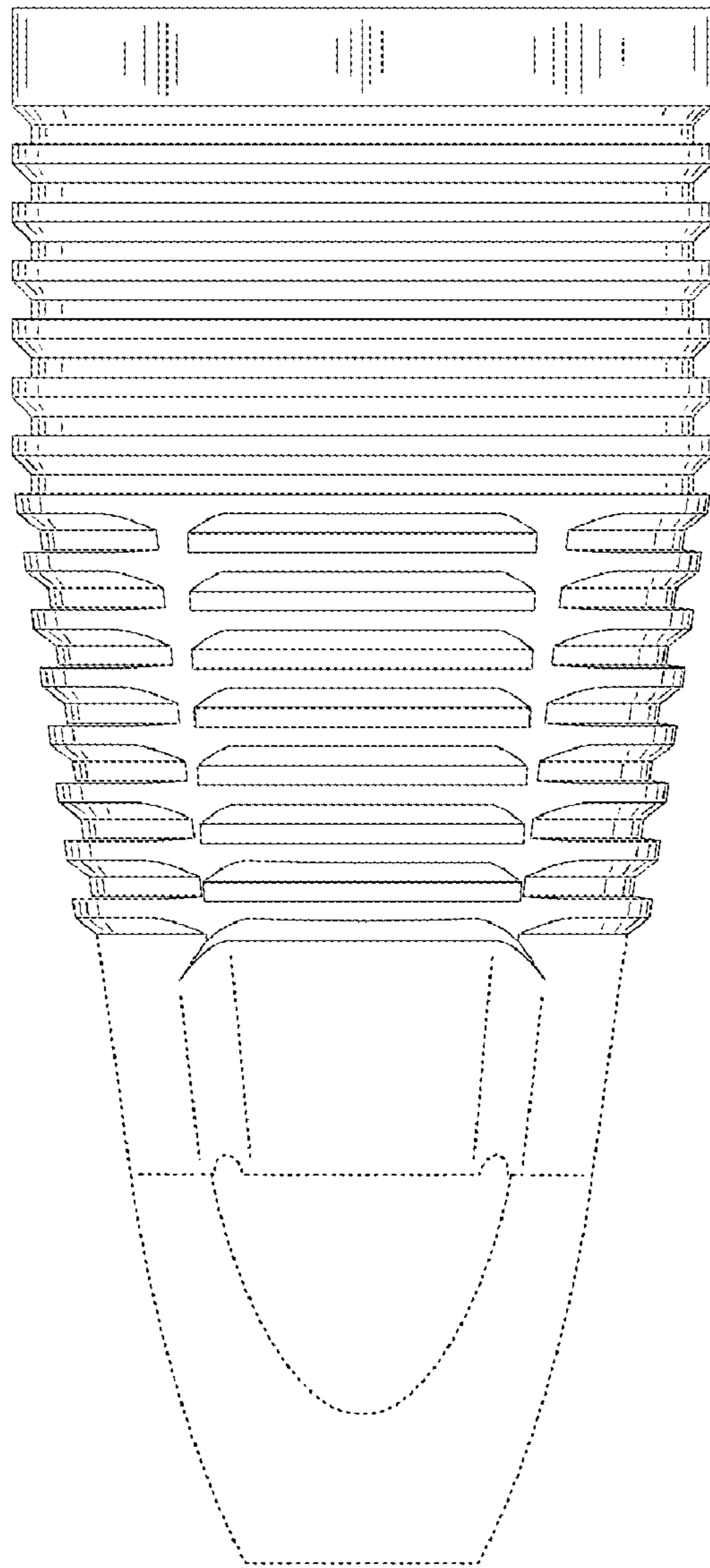


FIG.6

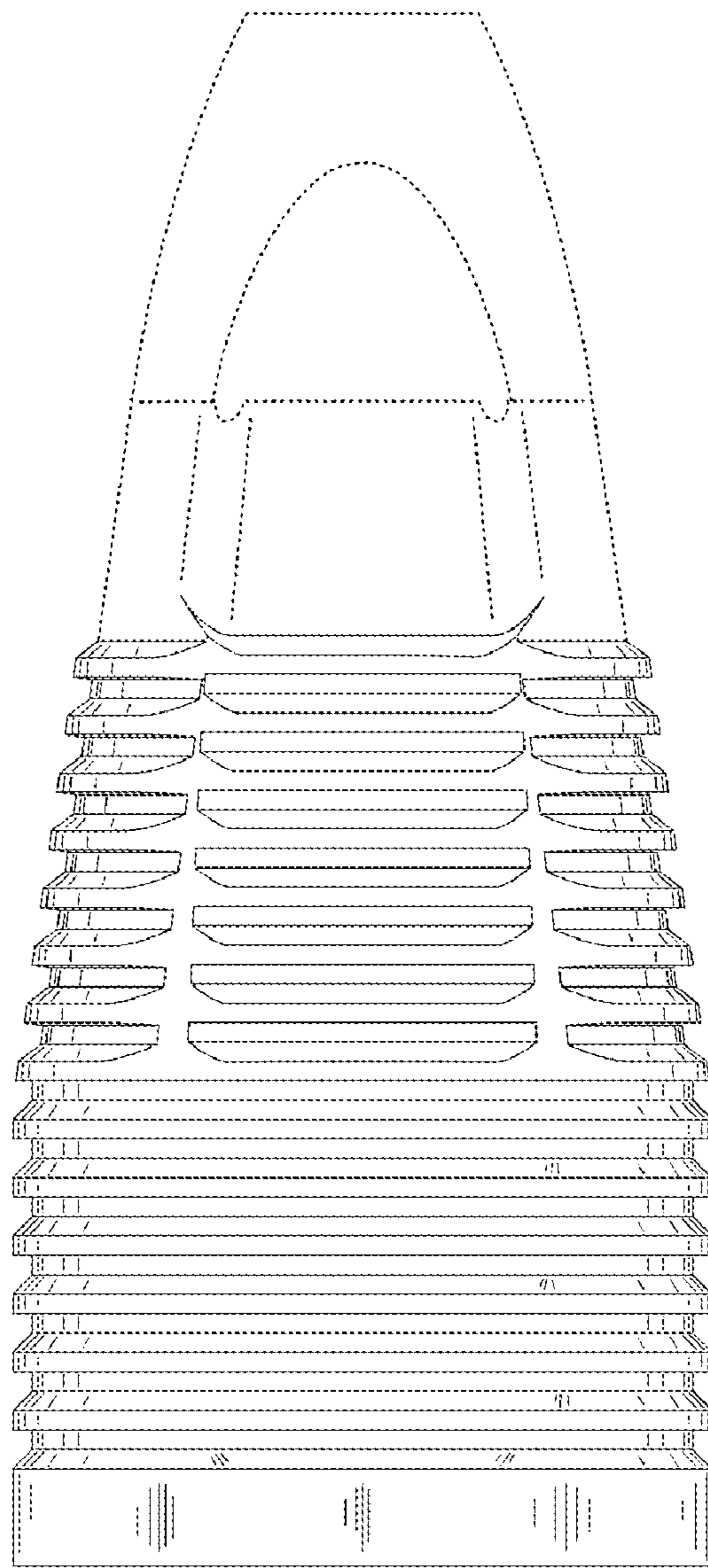


FIG. 7