

US00D665075S

(12) **United States Design Patent**
Joung et al.

(10) **Patent No.:** **US D665,075 S**
(45) **Date of Patent:** **** Aug. 7, 2012**

(54) **SAMPLE COLLECTION AND INJECTION DEVICE**

(75) Inventors: **Hyou-Arm Joung**, Anyang (KR);
Ku-Choel Ahn, Anyang (KR); **Bum-Joo Ahn**, Seoul (KR)

(73) Assignee: **Infopia Co., Ltd.** (KR)

(**) Term: **14 Years**

(21) Appl. No.: **29/376,317**

(22) Filed: **Oct. 5, 2010**

(30) **Foreign Application Priority Data**

Jun. 11, 2010 (KR) 30-2010-0025805

(51) **LOC (9) Cl.** **24-02**

(52) **U.S. Cl.** **D24/130**

(58) **Field of Classification Search** D24/127,
D24/110, 112, 114, 117; 422/50, 500, 536,
422/547, 62-65, 67; 435/283.1, 309.1, 4,
435/29, 34, 287.1, 287.3; 436/45, 47, 812,
436/814; 400/400-401, 403, 430

See application file for complete search history.

(56) **References Cited**

U.S. PATENT DOCUMENTS

D228,818 S *	10/1973	Vallfors	D24/112
D257,394 S *	10/1980	Reichler	D9/696
D320,449 S *	10/1991	Shah	D24/130
D348,734 S *	7/1994	Arp	D24/224
D391,373 S *	2/1998	Shartle	D24/224

7,134,999 B2 *	11/2006	Brauker et al.	600/309
7,282,181 B2 *	10/2007	Hudak et al.	422/549
D583,481 S *	12/2008	Yamamoto et al.	D24/224
D619,728 S *	7/2010	Bare et al.	D24/224
D626,249 S *	10/2010	Wang et al.	D24/223
7,915,032 B2 *	3/2011	Ostrowski et al.	435/287.7
D650,075 S *	12/2011	Anglay et al.	D24/133
D654,185 S *	2/2012	Lee	D24/223
8,123,700 B2 *	2/2012	Alden et al.	600/583
2005/0084842 A1 *	4/2005	O'Connor	435/4
2007/0051375 A1 *	3/2007	Milliman	128/856
2010/0304475 A1 *	12/2010	Bae et al.	435/309.1
2012/0045823 A1 *	2/2012	Leach et al.	435/283.1

* cited by examiner

Primary Examiner — Eric Goodman

(74) *Attorney, Agent, or Firm* — Cantor Colburn LLP

(57) **CLAIM**

The ornamental design for sample collection and injection device, as shown and described.

DESCRIPTION

FIG. 1 is a perspective view of the sample collection and injection device, showing our new design; FIG. 2 is a front elevational view thereof; FIG. 3 is a rear elevational view thereof; FIG. 4 is a left side elevational view thereof; FIG. 5 is a right side elevational view thereof; FIG. 6 is a top plan view thereof; and, FIG. 7 is a bottom plan view thereof.

The broken line in the drawings is included for the purpose of illustrating unclaimed environment and forms no part of the claimed design.

1 Claim, 5 Drawing Sheets

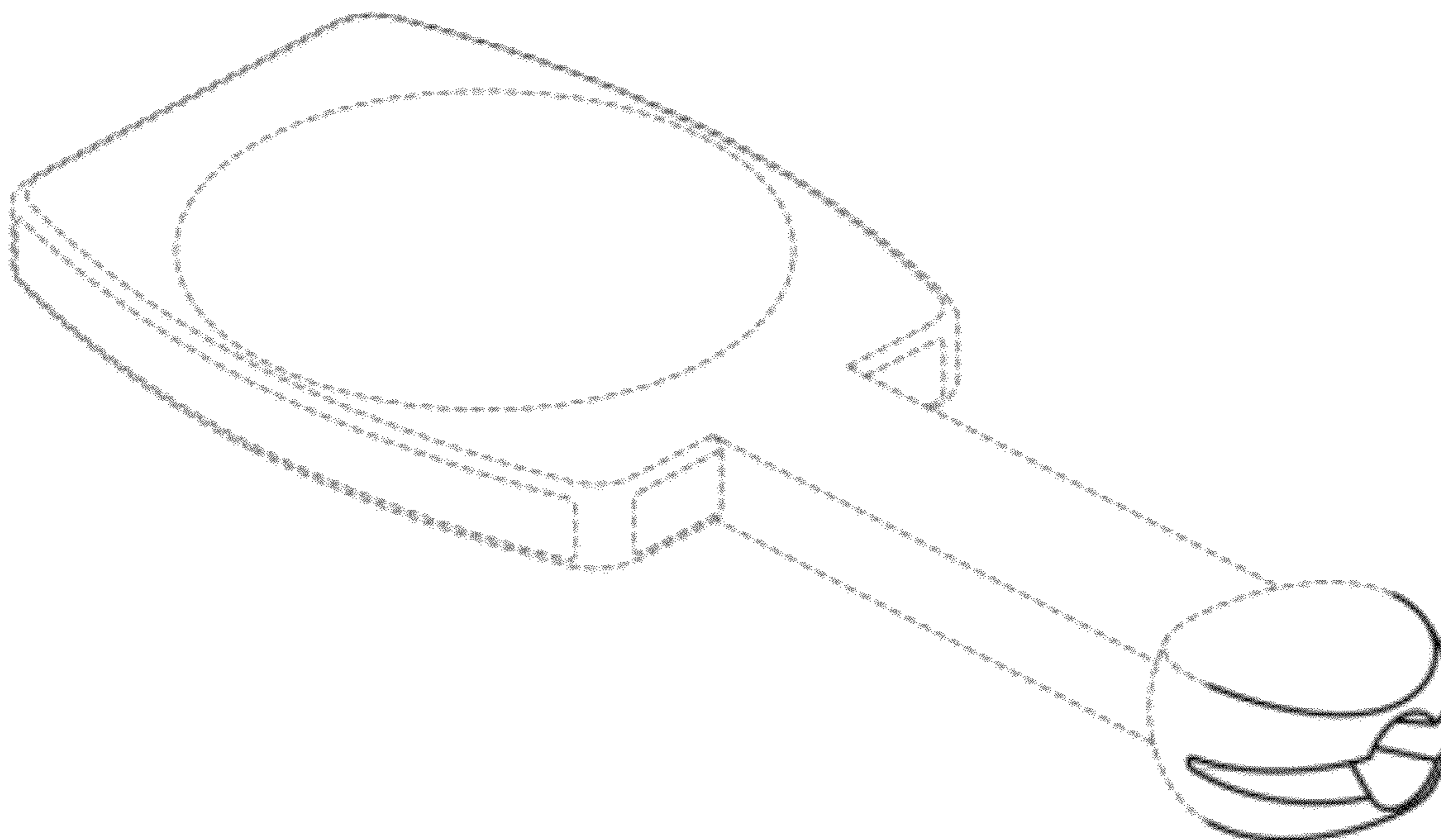


FIG. 1

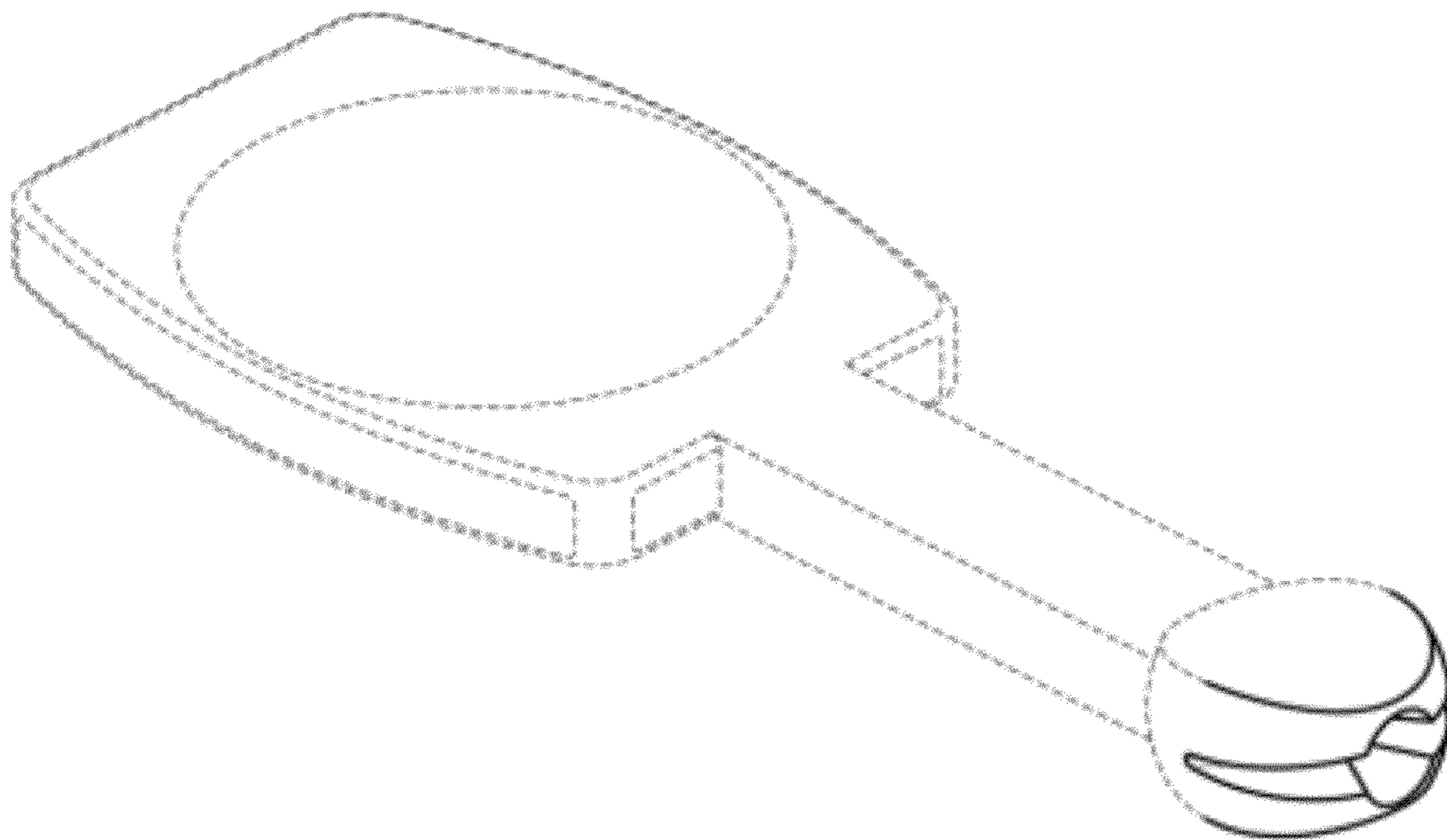


FIG. 2

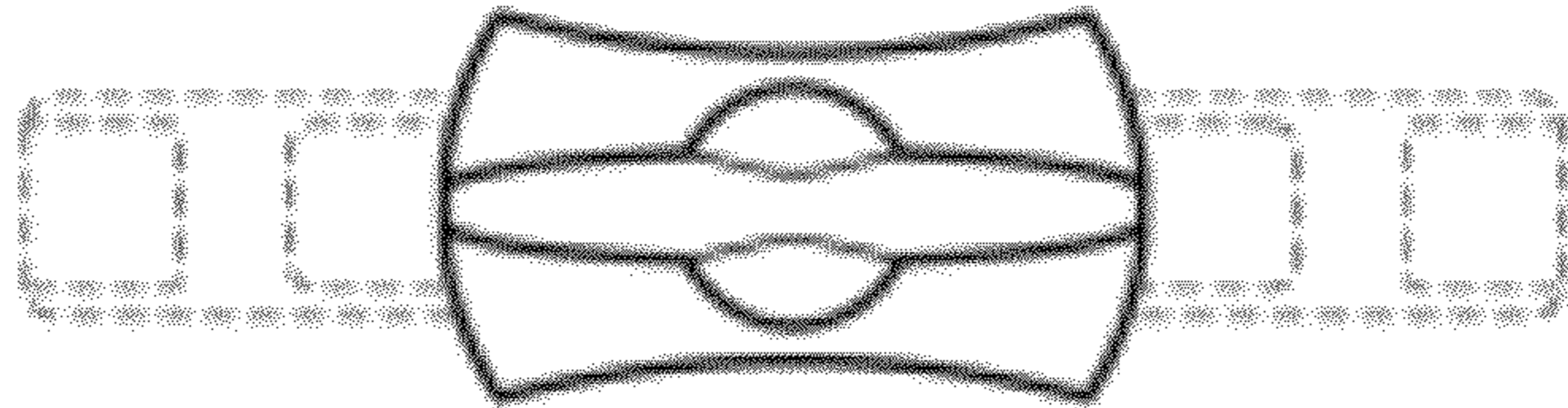


FIG. 3

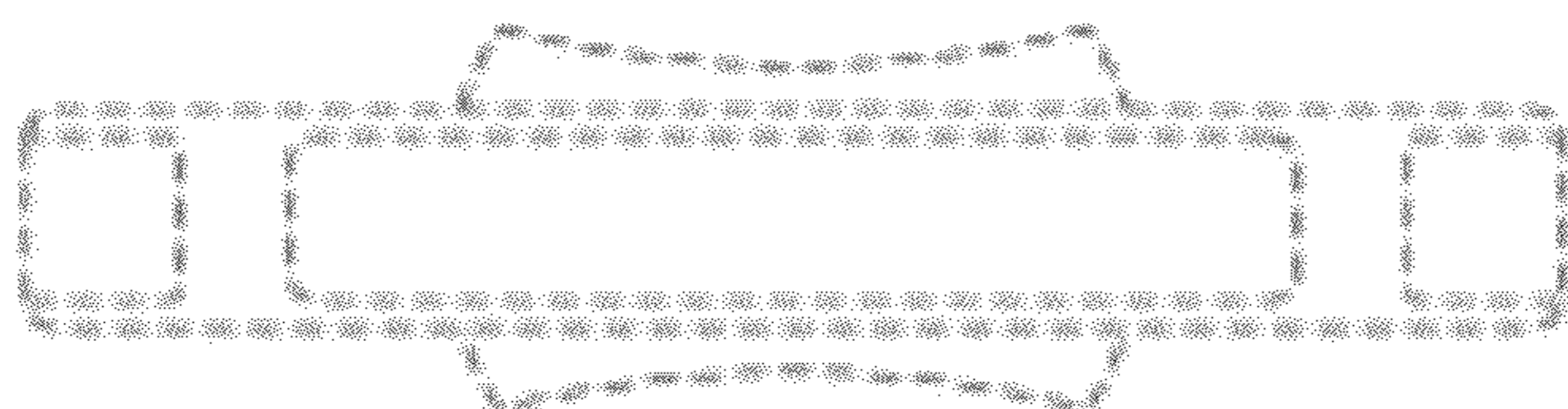


FIG. 4

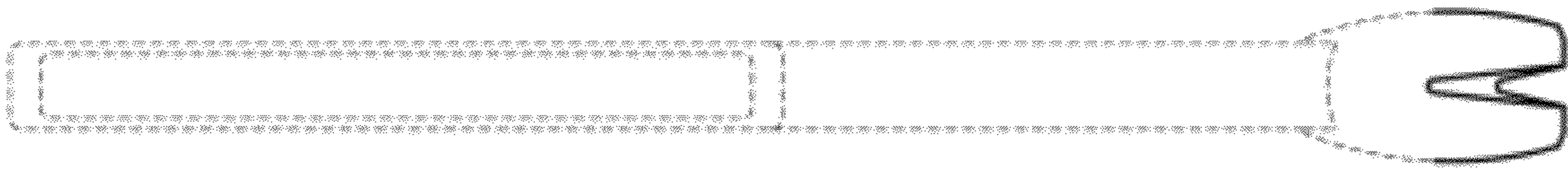


FIG. 5

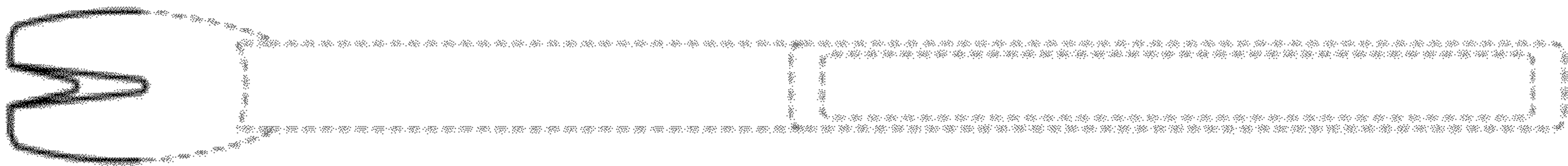


FIG. 6

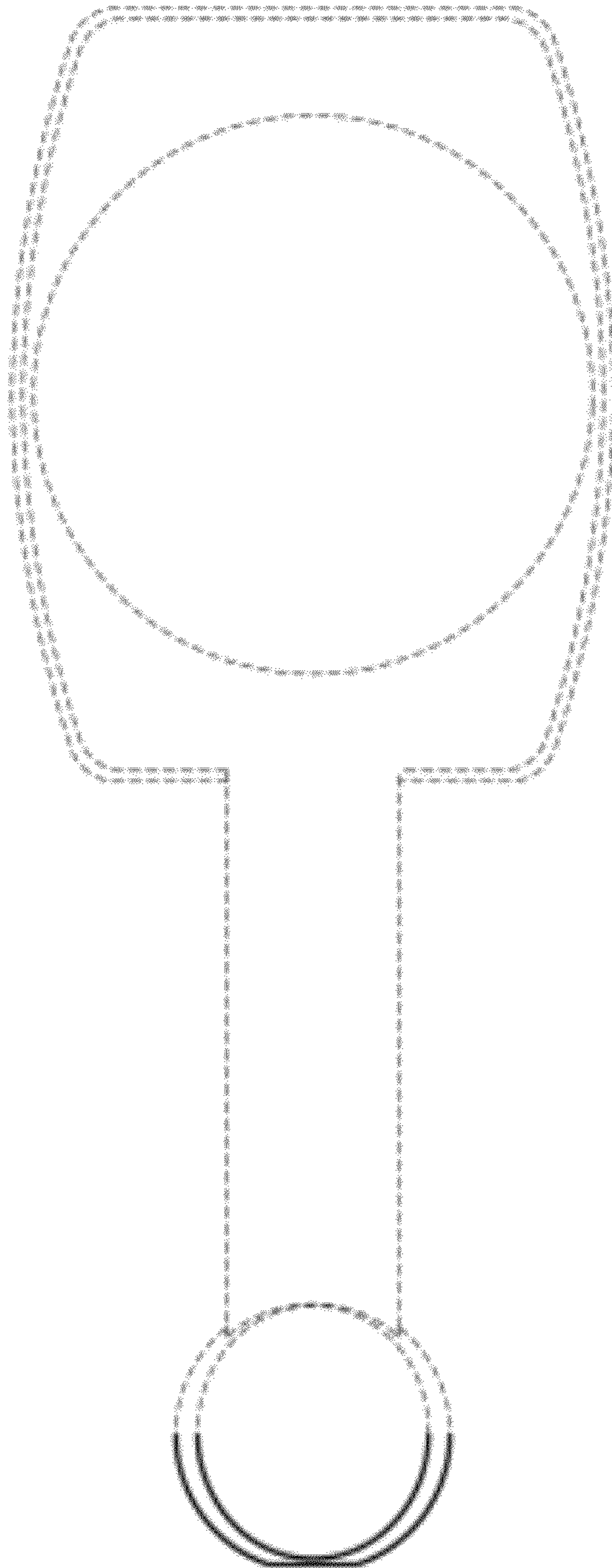


FIG. 7

